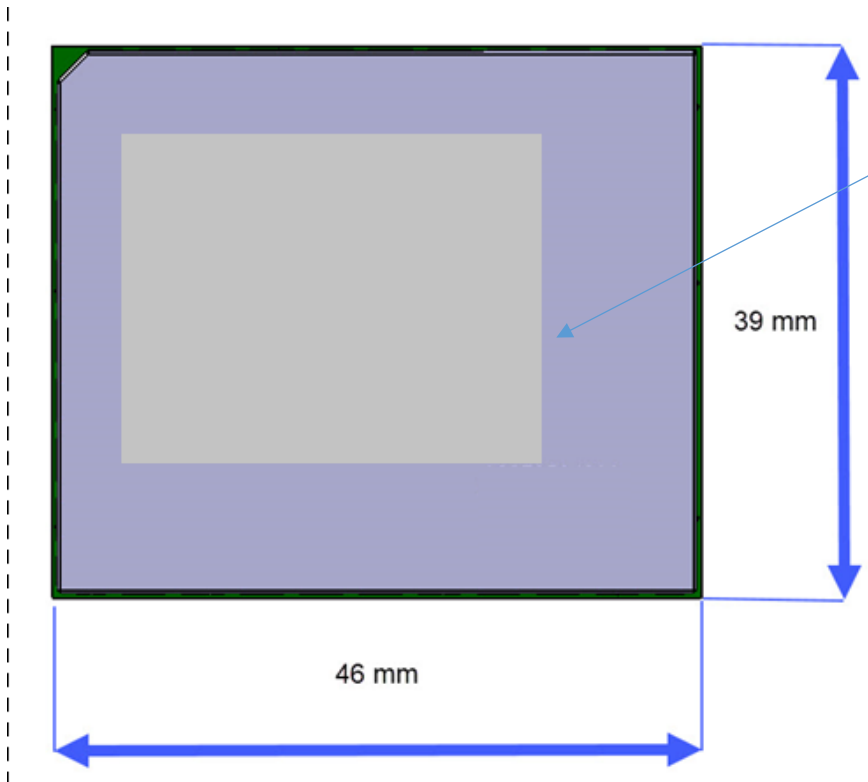


# Label

CONTI SAP PN: A2CXXXXXXXXXX  
CONTI HW PN: TRC0808090000  
CERT MODEL:FE5NAR131  
FCC ID: LHJ-FE5NAR131  
IC: 2807E-FE5NAR131  
DATE CODE : YYMMDD  
SW Ver: XXXXXXXXXX  
HW Ver: PX.X  
SERIAL NO:  
XXXXXXXXXXXX  
Decimal IMEI:  
XXXXXXXXXXXXXXXXXX





Label with FCC and IC ID information is placed on top of the module and is clearly visible.

**Figure 1: Label placed on top of the module.**

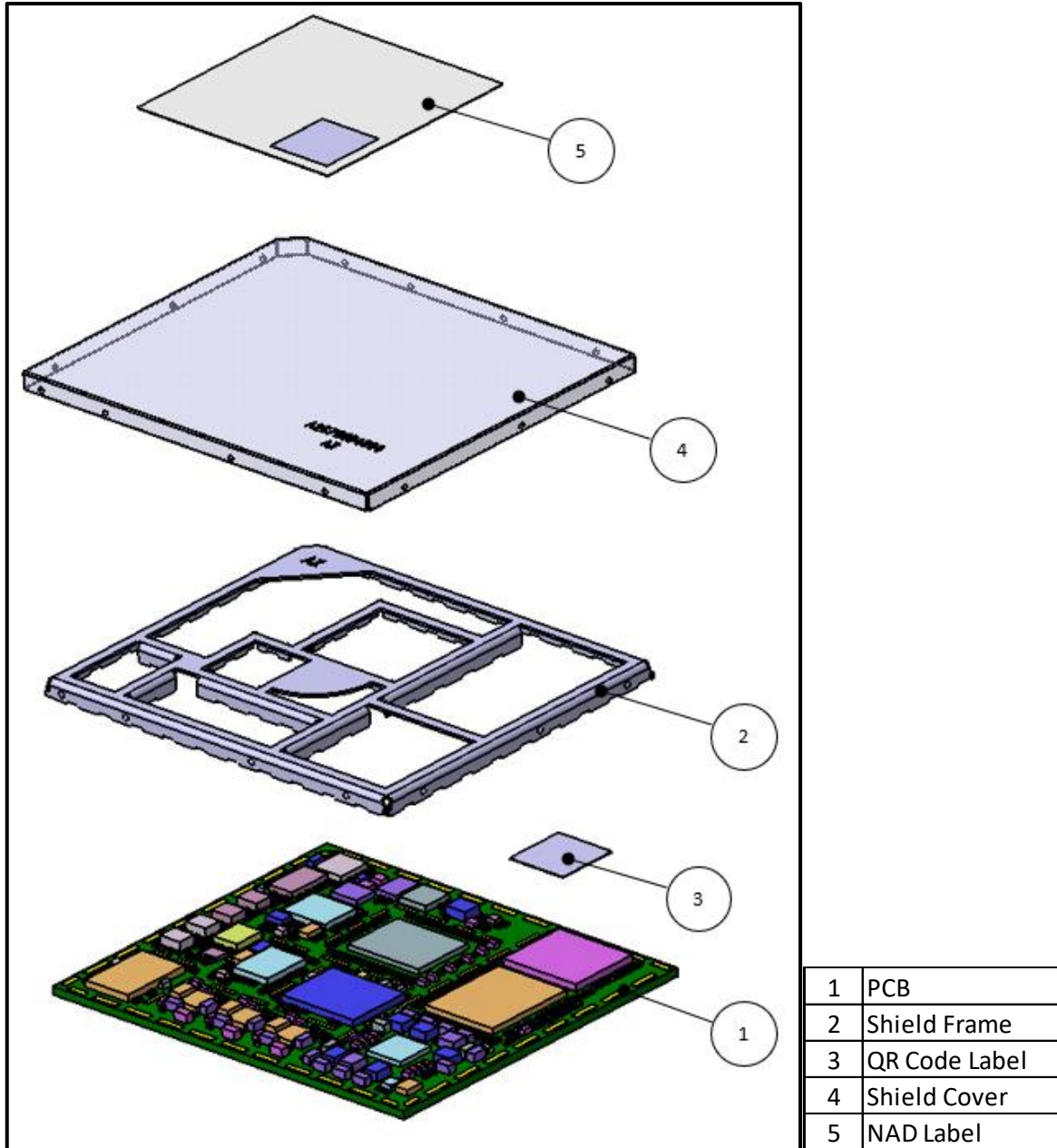


Figure 2: Module Exploded View