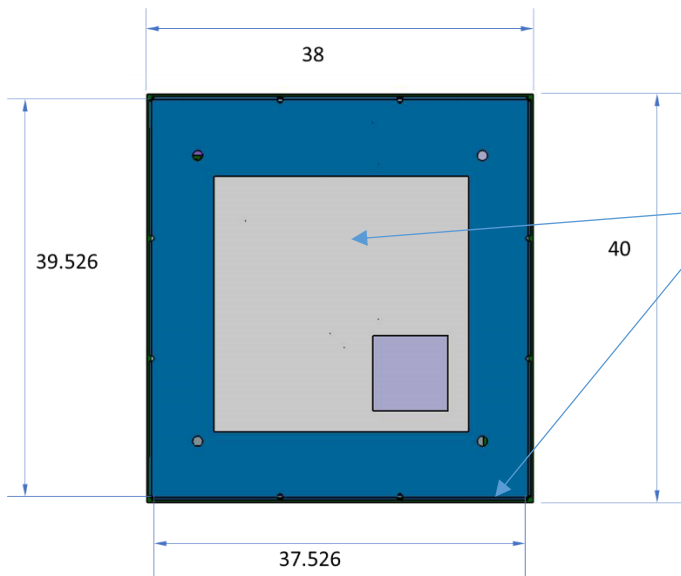




FCC ID: LHJ-FE4CNX210; IC: 2807E-FE4CNX210



Label with FCC and IC ID information is placed on top of the module and is clearly visible.