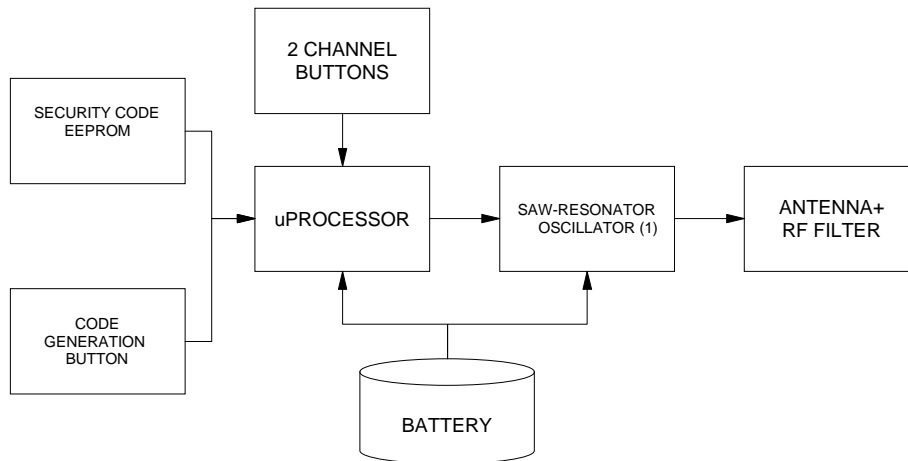


LIST OF GENERATED FREQUENCIES

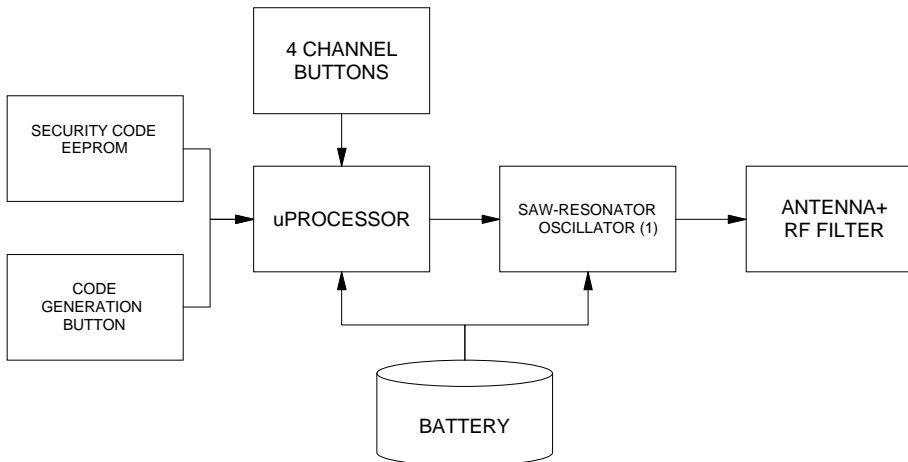
Frequencies of the oscillators shown in the block diagrams hereafter:

- (1) SAW-Resonator Oscillator in the transmitters $f = 433.92$ MHz.**
- (2) SAW-Local Oscillator in the receivers $f_{LO} = 433.42$ MHz.**
- (3) Processor Oscillator in the MINI Receiver $f = 5$ MHz.**
- (4) Processor Oscillator in the radio programmer $f = 10$ MHz.**

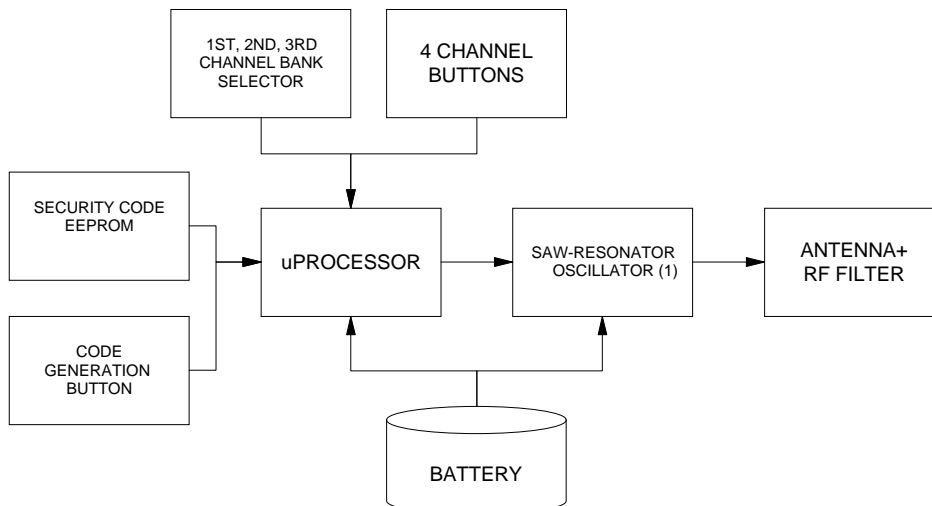
SERIES S435 - 2 CH TRANSMITTER SCHEMATIC BLOCK



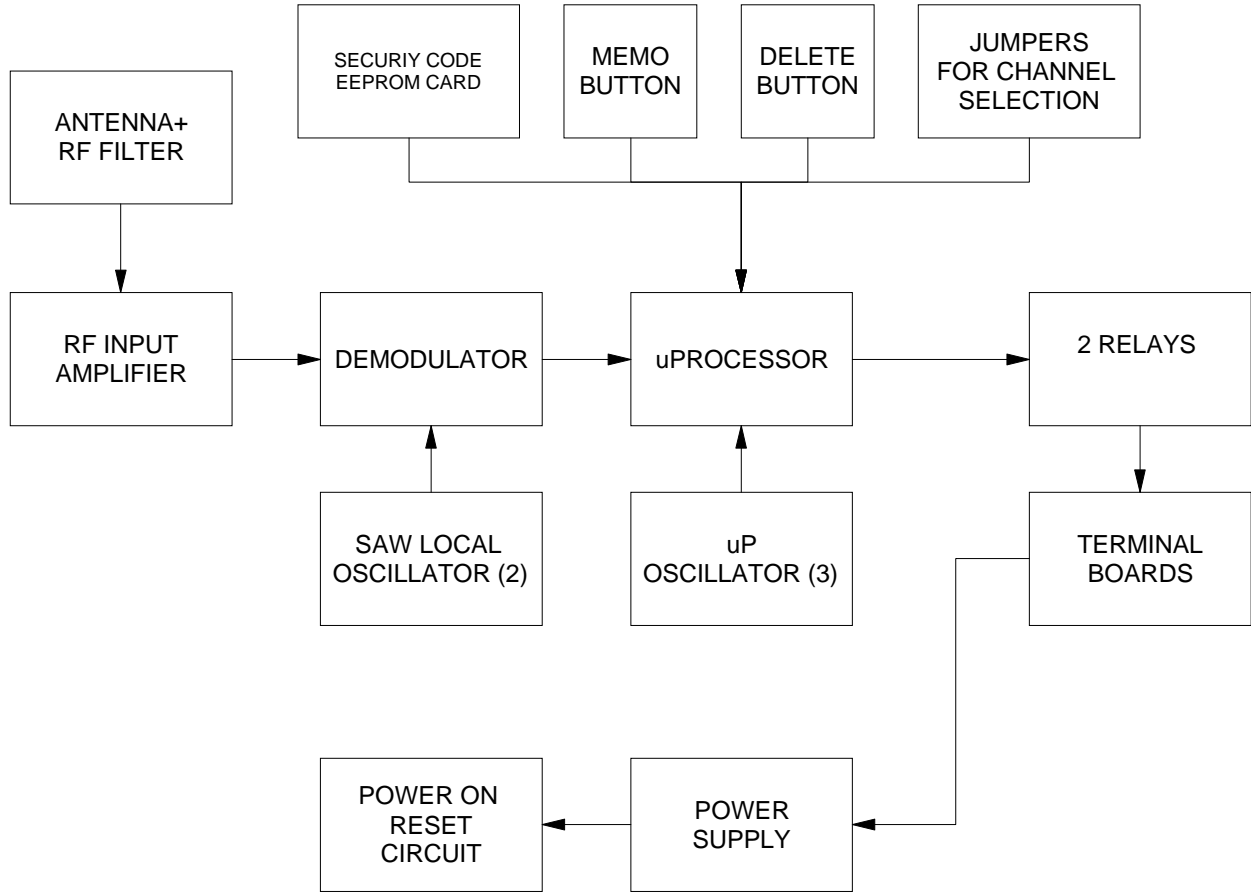
SERIES S435 - 4 CH TRANSMITTER SCHEMATIC BLOCK



SERIES S435 - 12 CH TRANSMITTER SCHEMATIC BLOCK



SERIES S435 - MINI RECEIVER SCHEMATIC BLOCK



SERIES S435 -RADIOPROGRAMMER SCHEMATIC BLOCK

