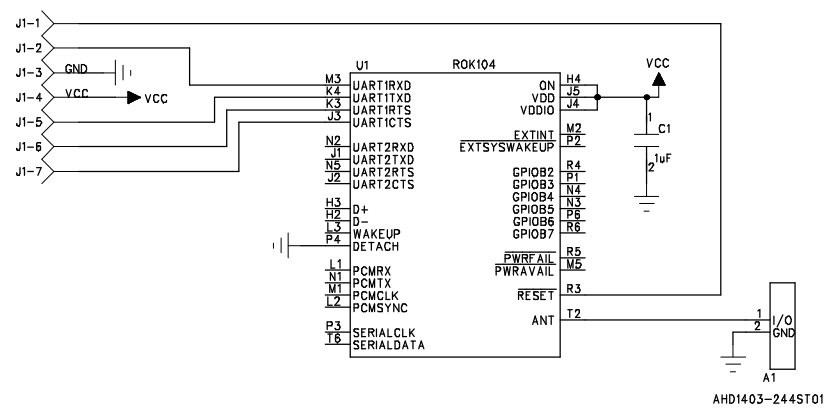


6 5 4 3 2 1

REVISION RECORD			
LTR	ECO NO:	APPROVED:	DATE:
A	ENGINEERING	K.CARLSON	7-13-2002
1	PRODUCTION	K.CARLSON	7-29-2002



D

C

B

A

D

C

B

A

ASSEMBLY 260136-001

COMPANY: O'NEIL PRODUCT DEVELOPMENT

TITLE: BLUETOOTH ROK104 MODULE

DRAWN: K.CARLSON	DATED: 7-12-2002
CHECKED:	DATED:
QUALITY CONTROL:	DATED:
RELEASED: K.CARLSON	DATED: 7-13-2002

CODE:	SIZE:	DRAWING NO: 270098-001	REV: 1
SCALE:		SHEET: 1 OF 1	