

**This document/record is electronically controlled; printed copies are considered uncontrolled.
System of Record: Medtronic Records Control System (MRCS)**

Identifier**Version****Author**

MDT30121390-17 EV ICD Antenna Information

3.0

Brown, Jeffrey [MN036]

Title:

17 EV ICD Antenna Information

APPROVALS**Signed by****Date/Time (UTC)****Meaning of Signature**

Brown, Jeffrey [MN036]

08-Jun-2018 13:28:37

Approver

The purpose of this document is to record the antenna information for the products identified below.

Products
EV ICD

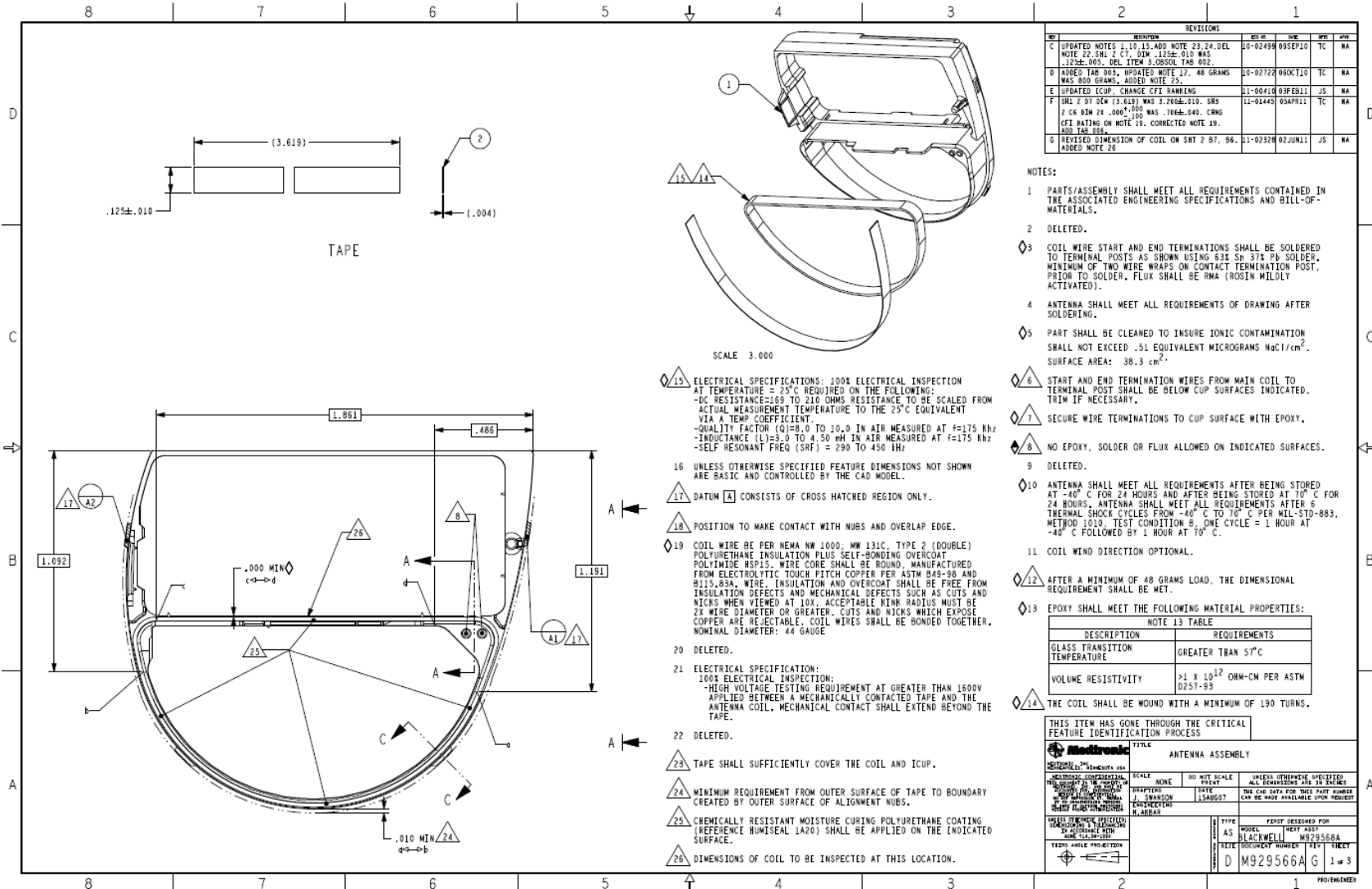
1. General antenna information

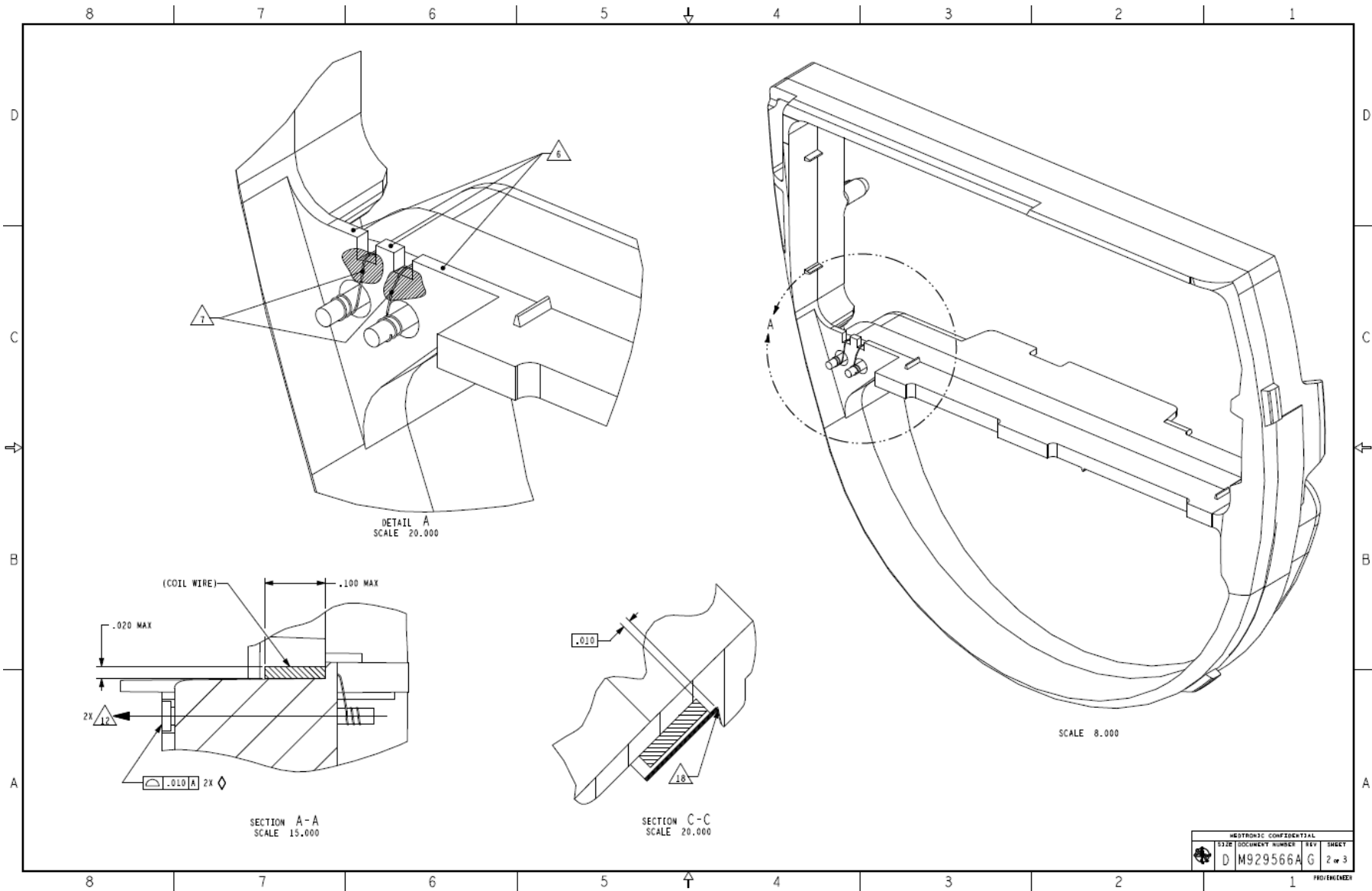
Table 1: General antenna information

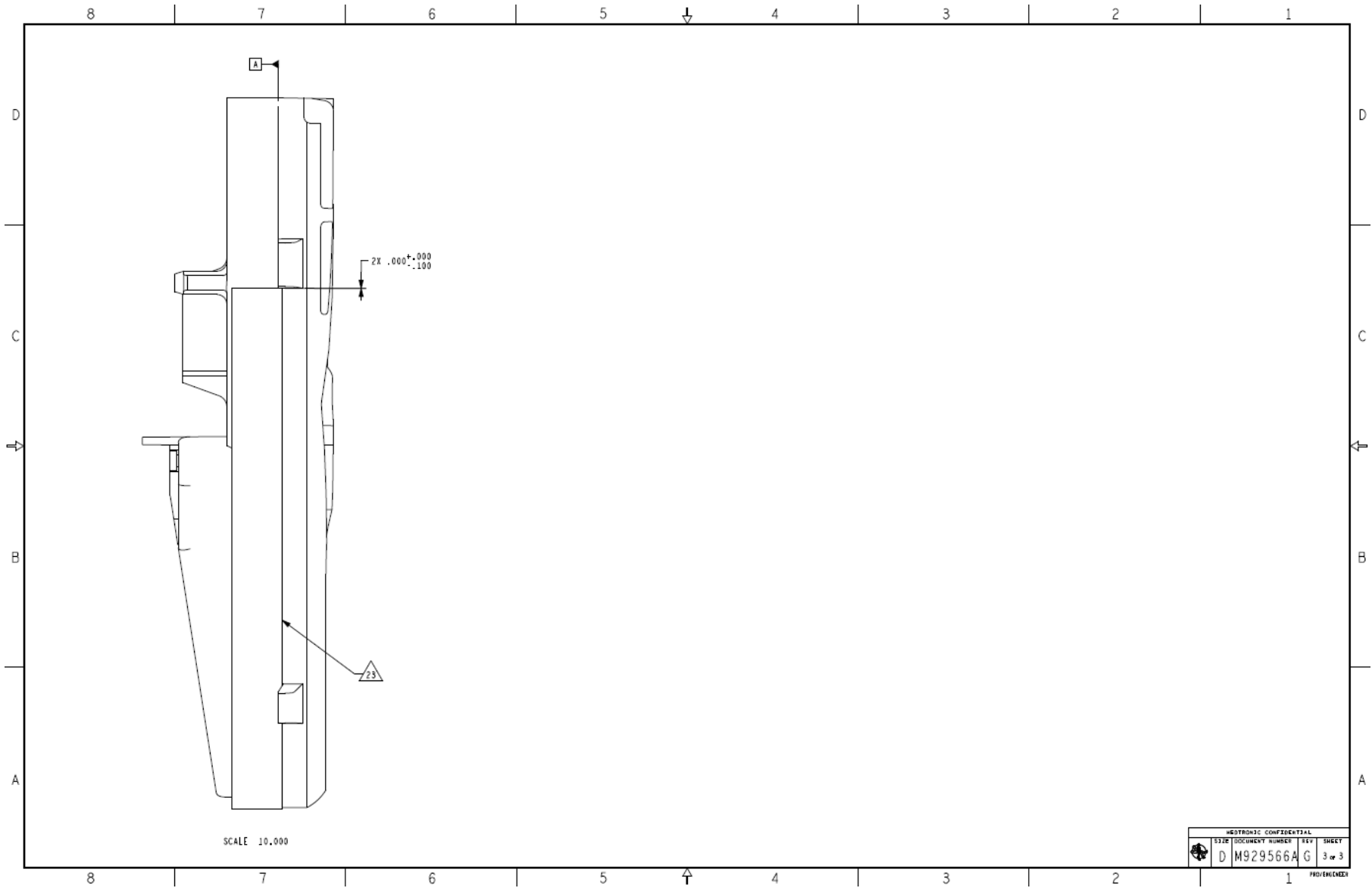
Telemetry: Inductive	Antenna Type: Integral loop Manufacturer: Medtronic Model number: M929566A Connection with transmitter: Proprietary connector Antenna Gain: N/A Resistivity: 375 ohm-cm Conductivity: 2667 μ S/cm Implant depth: 6 cm Polarization: N/A
Telemetry: MICS	Antenna Type: Serpentine Manufacturer: Medtronic Model number: M929870A Connection with transmitter: Proprietary connector Antenna Gain: -30 dBi Permittivity: 57.2 Conductivity: 0.93 S/m Implant depth: 6 cm Polarization: N/A

2. Antenna assembly drawing

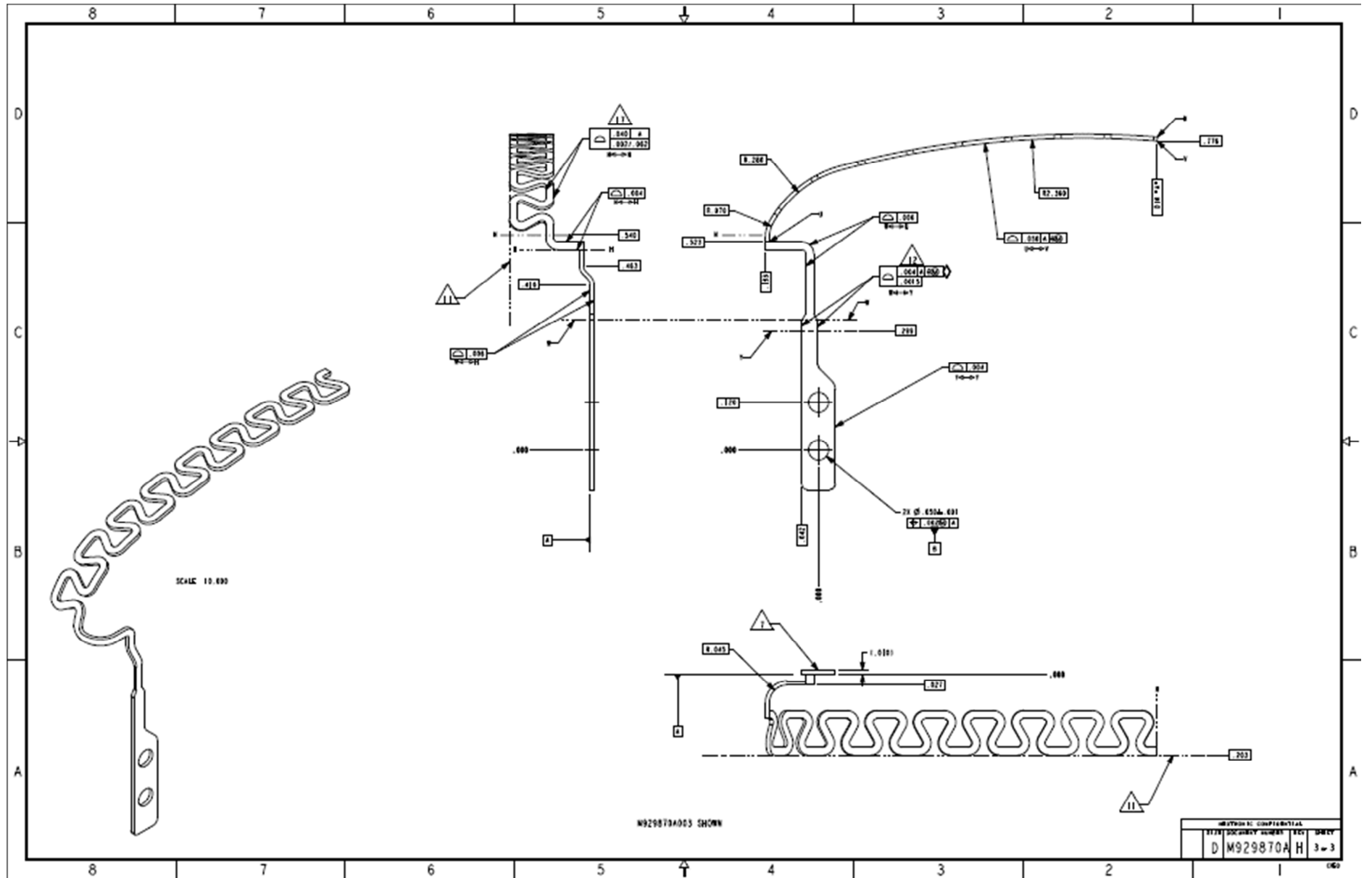
Source: M929566A Rev. G







Source: M929870A Rev. H

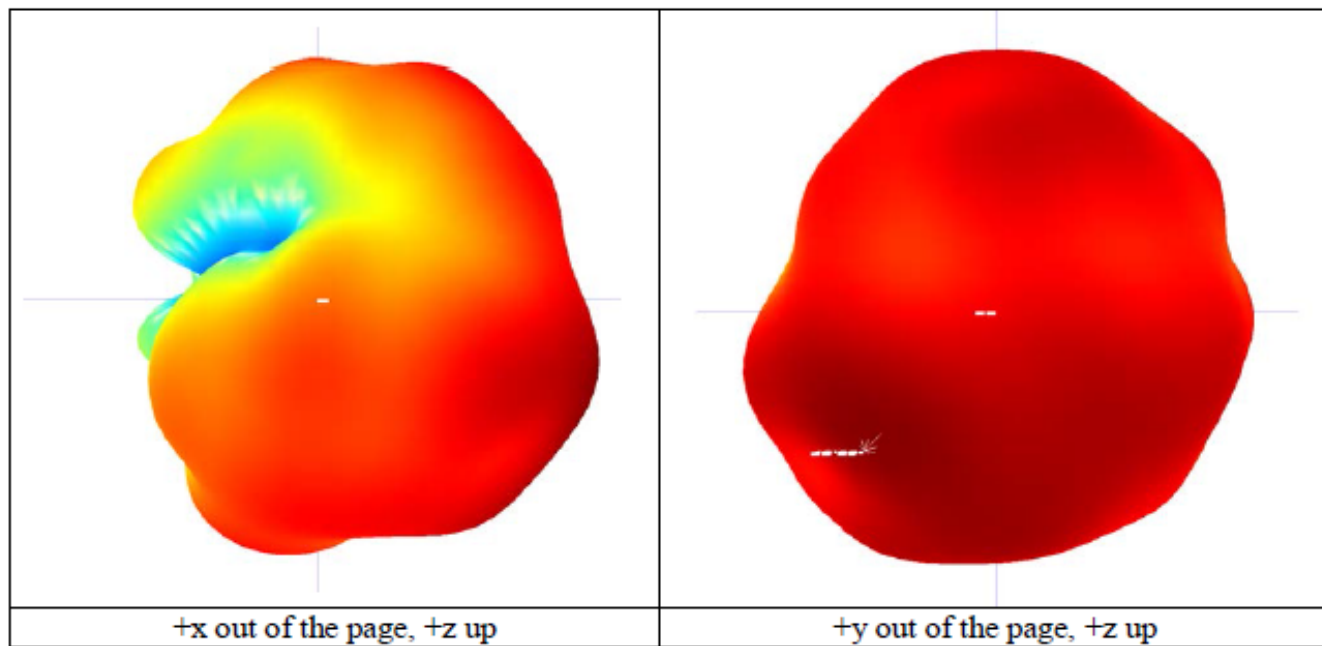


3. Antenna plots

Source: MDT1956222

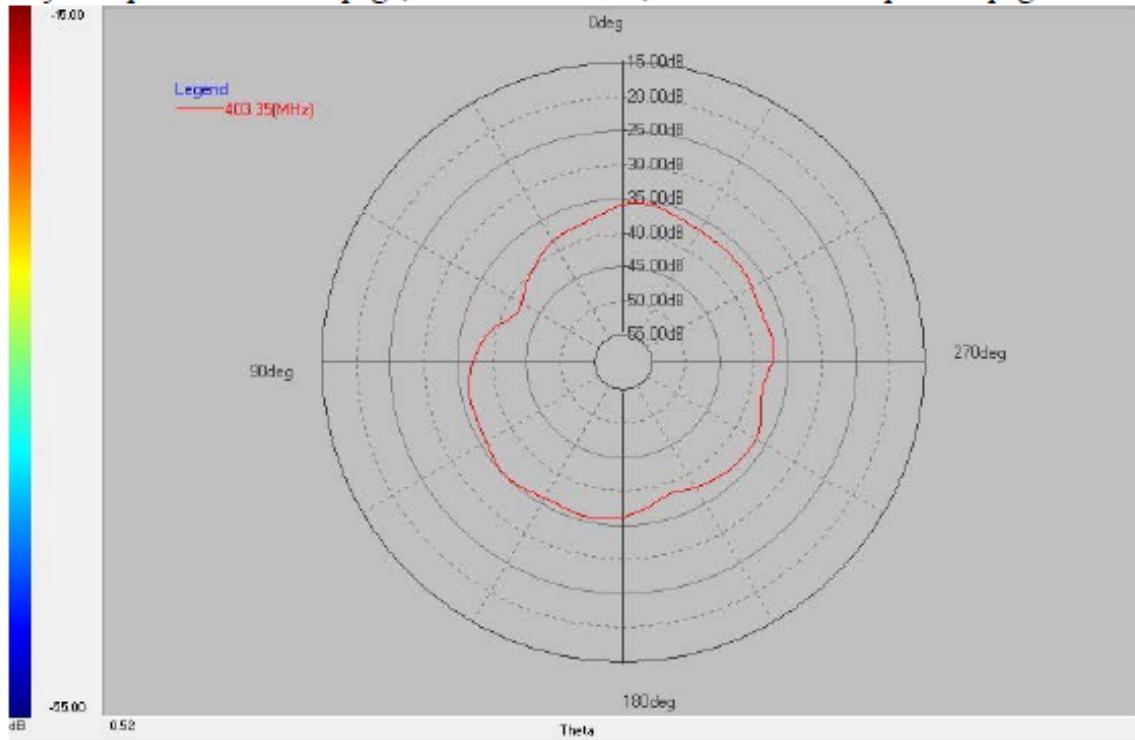
VR DF-4 (M929870A)

4.6.1. 3D view (403.35 MHz)



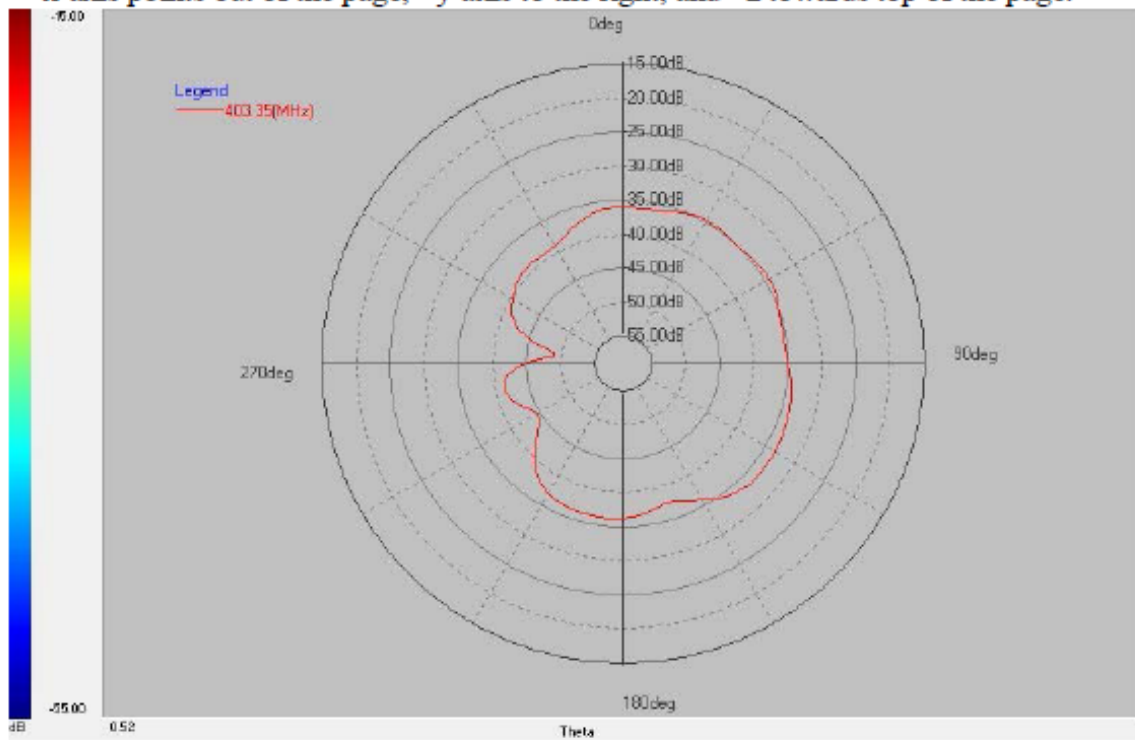
4.6.2. Phi = 0° Cut (xz plane)

+y-axis points out of the page, +x-axis to the left, and +z towards top of the page.



4.6.3. Phi = 90° Cut (yz plane)

+x-axis points out of the page, +y-axis to the right, and +z towards top of the page.



4.6.4. Theta = 90° Cut (xy plane)

+z-axis points out of page, +x-axis to the left, and +y towards bottom of the page.

