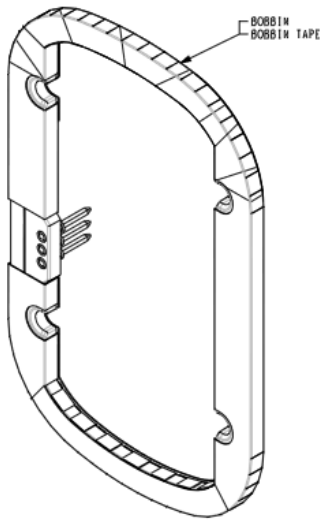


Antenna Information for CTM2 Model 8880T2

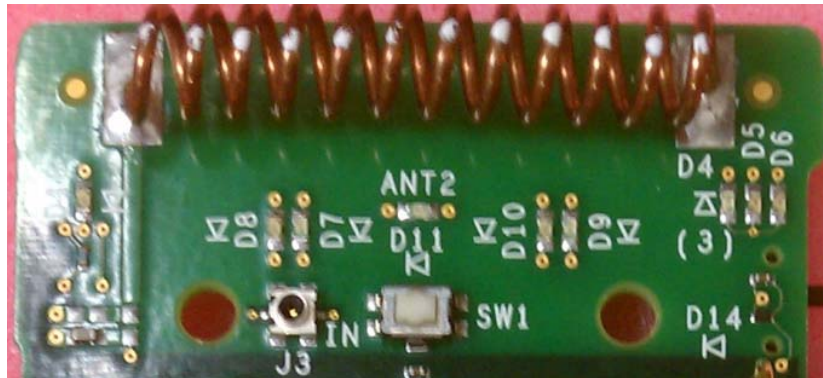
The CTM2, Model 8880T2, uses four antennas – one for Telemetry A/N, one for Bluetooth and two for Telemetry M. Each of the antennae is contained inside of the CTM2 module. The Telemetry-A/N antenna is a bobbin antenna plugged directly into the bottom of the PCB assembly. The main Telemetry-M antenna is a multi-turn helical antenna soldered into the bottom of the PCB assembly. The secondary Telemetry-M antenna is a planar printed PCB antenna located on the top side of the PCB. The Bluetooth antenna is a chip antenna. No replacement of antennas is required.

The Telemetry-A/N antenna used in the CTM2, Model 8880T2, is a Loop antenna with a gain of <math><1\text{ dB}</math>. The Bluetooth antenna is a ceramic chip antenna manufactured by Pulse (W3008) and soldered to the PCB with a maximum gain of

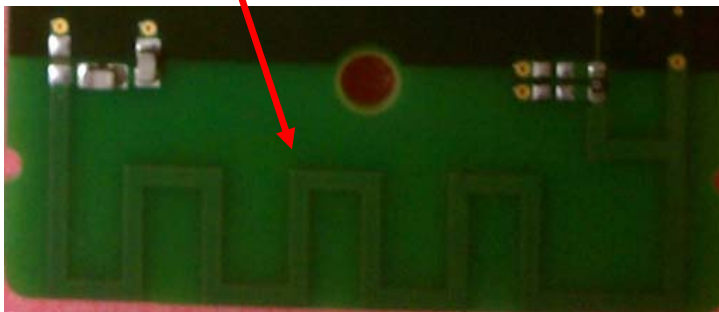
Telemetry-A/N Antenna



Telemetry-M Primary Antenna



Telemetry-M Secondary Antenna



Bluetooth Chip Antenna

