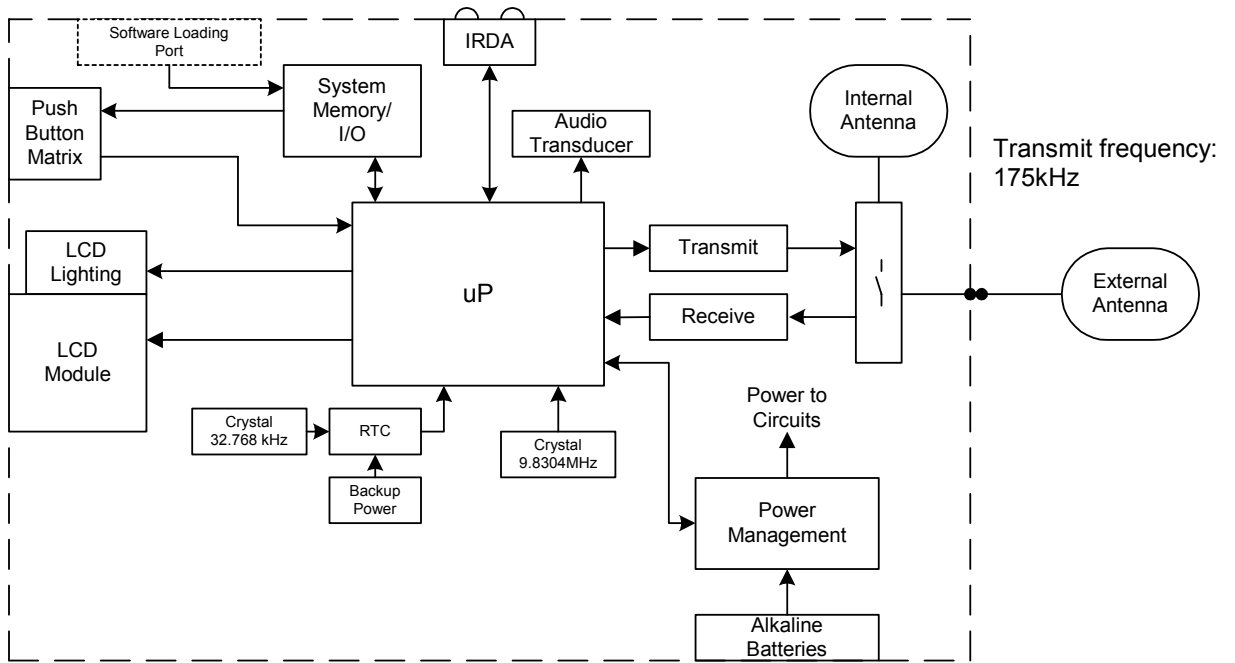


### 1.3 Block Diagram Description

---



**RESTORE Patient Programmer**

---