

# AT8010 Series

## Multilayer Chip Antenna

### Features

- ❖ Monolithic SMD with small, low-profile and light-weight type.
- ❖ Wide bandwidth

### Applications

- ❖ 2.4GHz WLAN, Home RF, Bluetooth Modules, etc.



### Specifications

Part Number	Frequency Range (MHz)	Peak Gain (dBi typ.)	Average Gain (dBi typ.)	VSWR	Impedance
<b>AT8010-E2R9HAA_</b>	2400~2500	2.5 (XZ-V)	0.5 (XZ-V)	2 max.	50 Ω

Q'ty/Reel (pcs)	: 1,000 pcs
Operating Temperature Range	: -40 ~ +85 °C
Storage Temperature Range	: +5 ~ +35 °C, Humidity 45~75%RH
Storage Period	: 12 months max.
Power Capacity	: 2W max.

### Part Number

AT    8010    -    E    2R9    HAA    □  
 ①        ②        ③        ④        ⑤        ⑥

① Type	AT : Antenna	② Dimensions ( L × W )	8.0 × 1.0 mm
③ Material Code	E	④ Frequency Range	2R9=2900MHz
⑤ Specification Code	HAA	⑥ Packaging	T: Tape & Reel B: Bulk

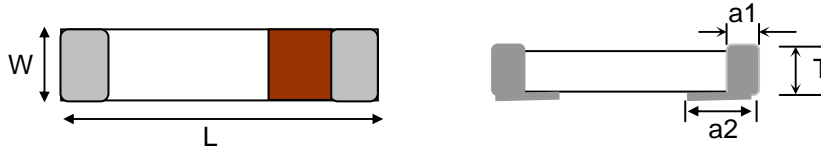
### Terminal Configuration



No.	Terminal Name	No.	Terminal Name
①	Feeding Point	②	NC

**Dimensions and Recommended PC Board Pattern**

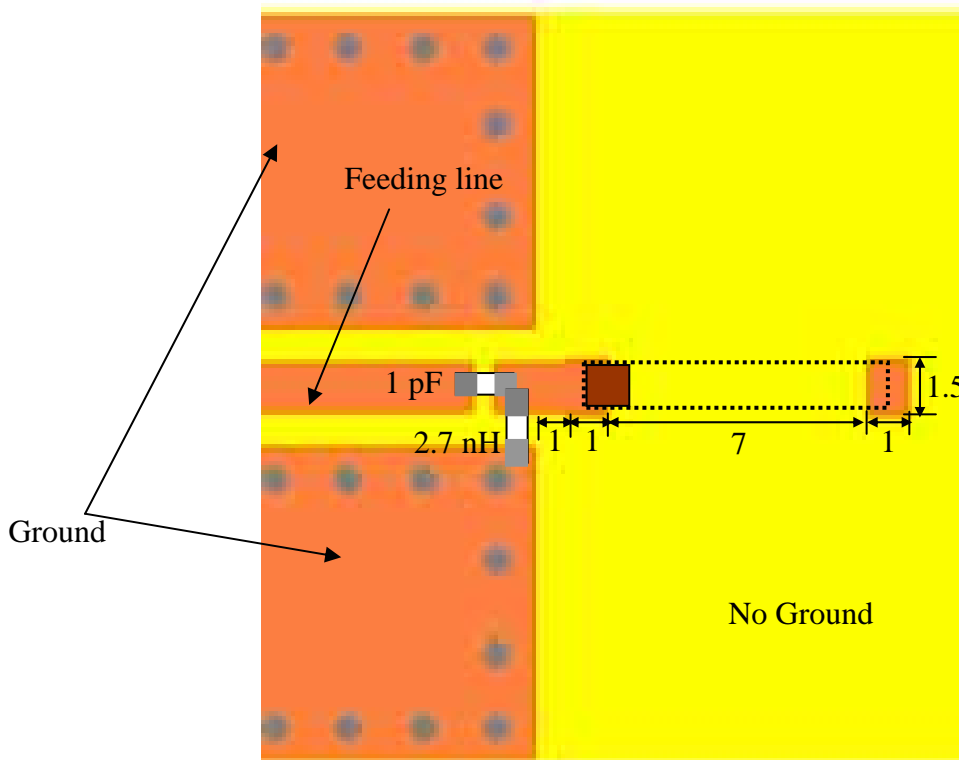
Unit : mm



Mark	L	W	T	a1	a2
Dimensions	8.0±0.2	1.0±0.2	1.0±0.2	0.5±0.2	1.0±0.2

**The Recommended PC Board layout – Type A**

❖With Matching Circuits (Unit in mm)

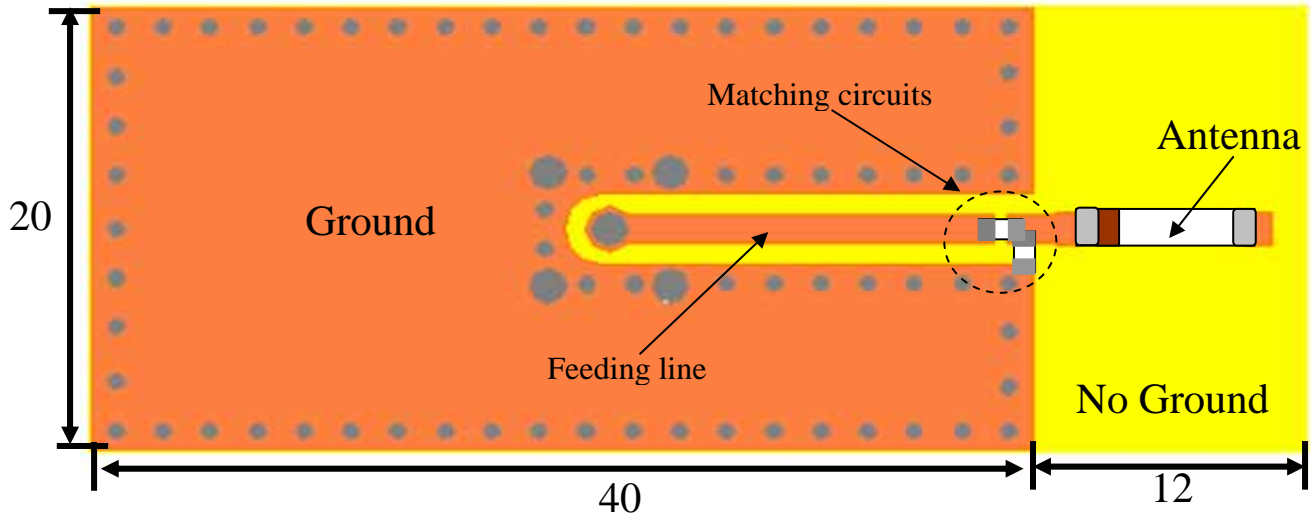


(Matching circuit and component values will be different, depending on PCB layout)

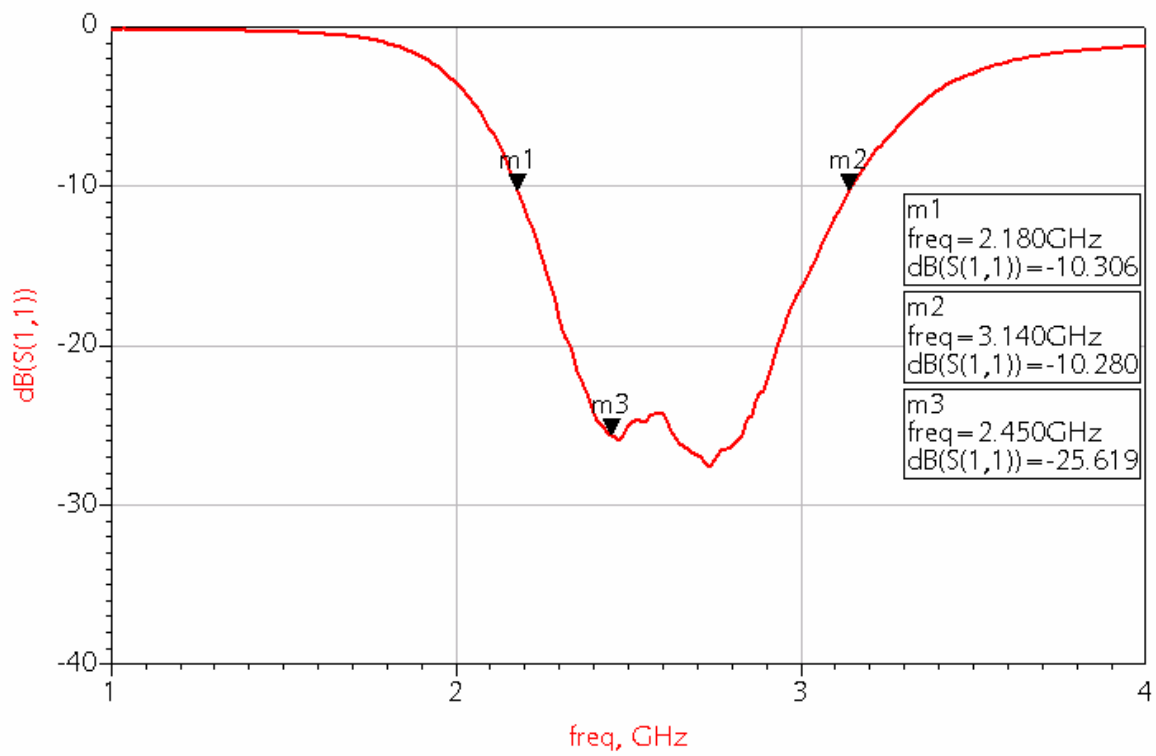
\*Line width should be designed to match 50Ω characteristic impedance, depending on PCB material and thickness.

**Typical Electrical Characteristics (T=25°C)**

❖ Test Board – Type A (Unit in mm)

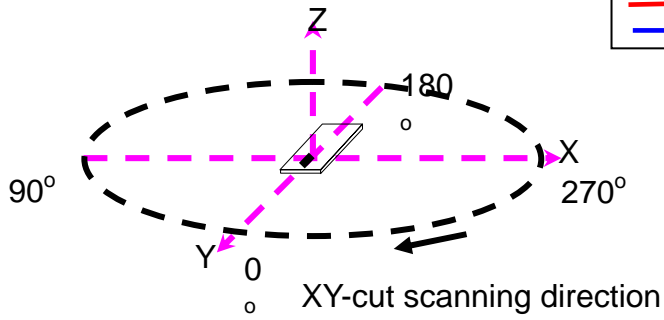


❖ Return Loss / With Matching Circuits

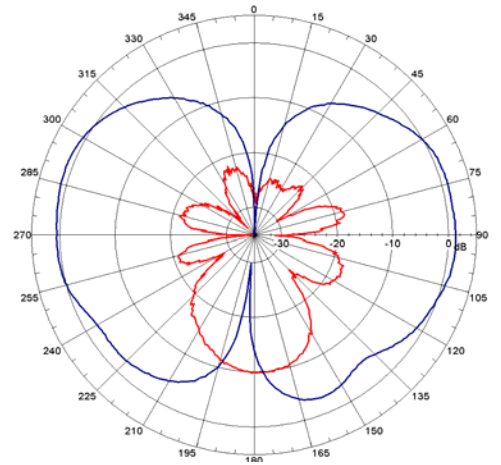


❖ Radiation Patterns

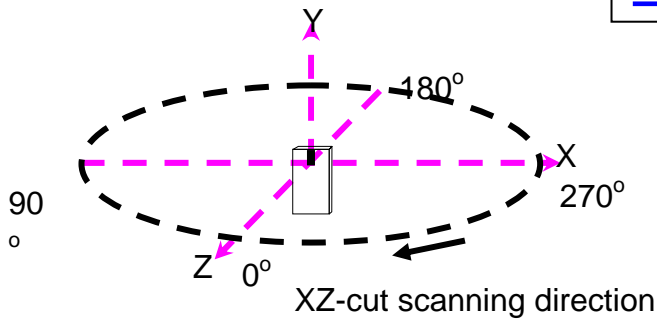
XY-V/XY-H



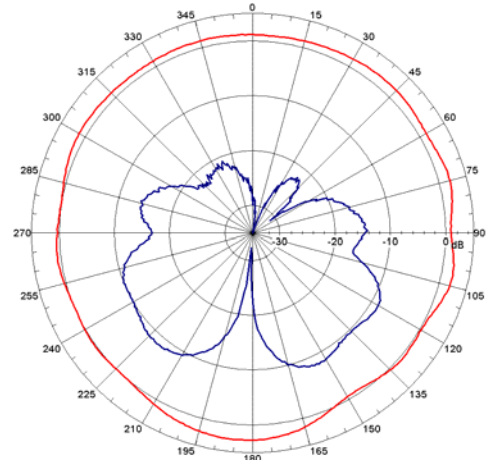
XY cut @2.45GHz  
— Vertical  
— Horizontal



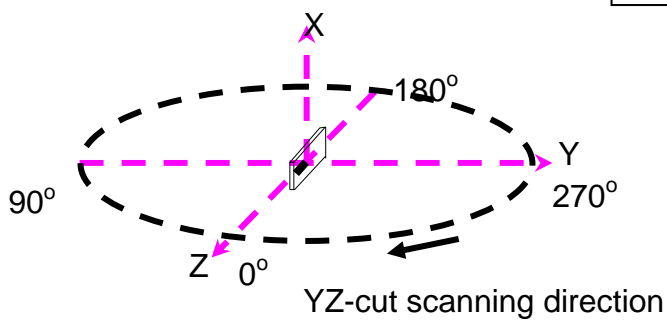
XZ-V/XZ-H



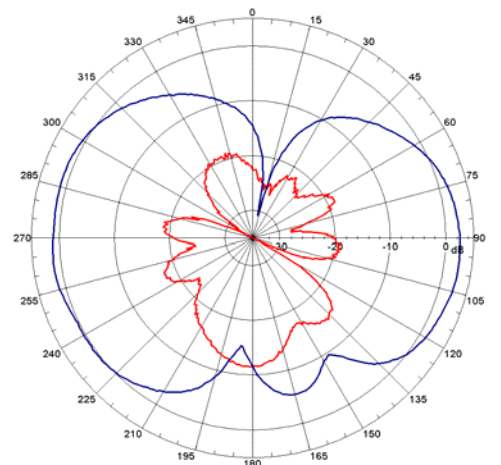
XZ cut @2.45GHz  
— Vertical  
— Horizontal



YZ-V/YZ-H

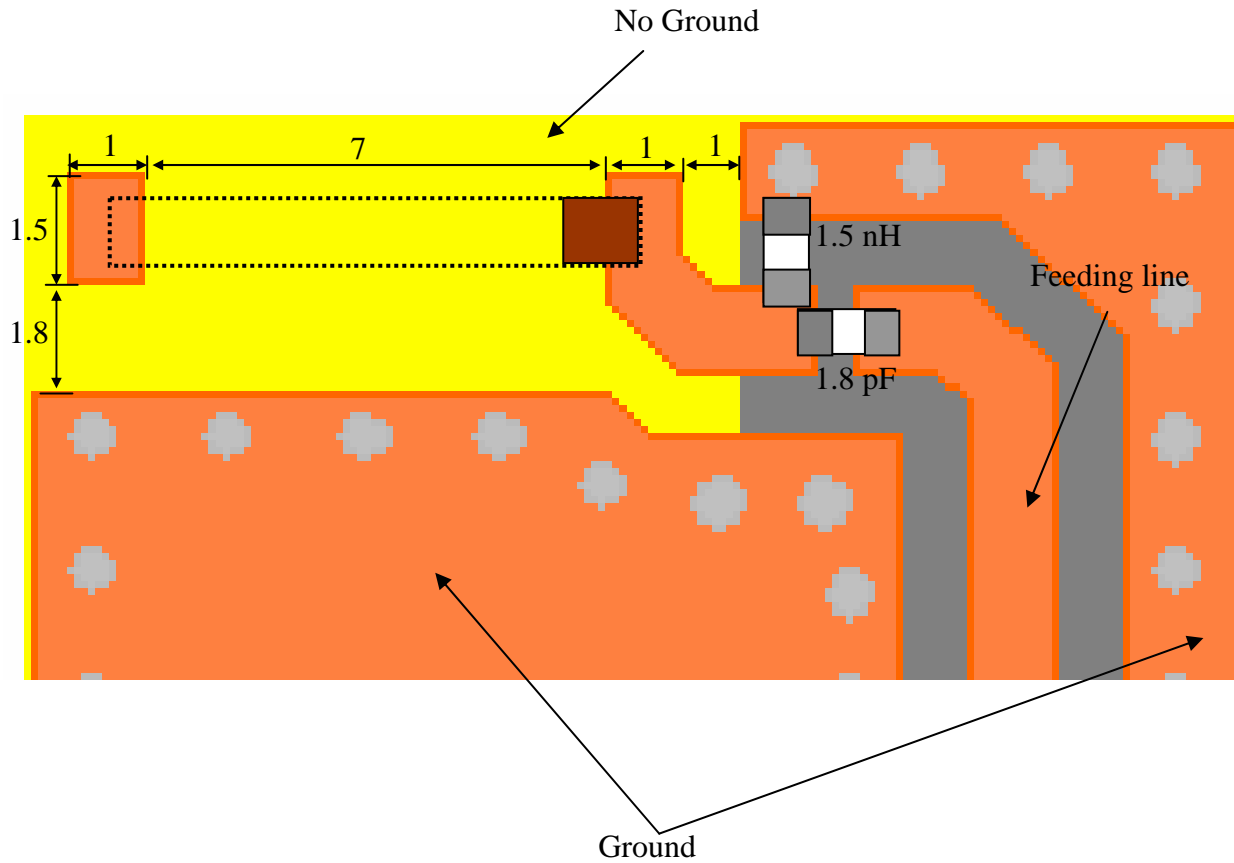


YZ cut @2.45GHz  
— Vertical  
— Horizontal



**The Recommended PC Board layout – Type B**

❖ With Matching Circuits (Unit in mm)

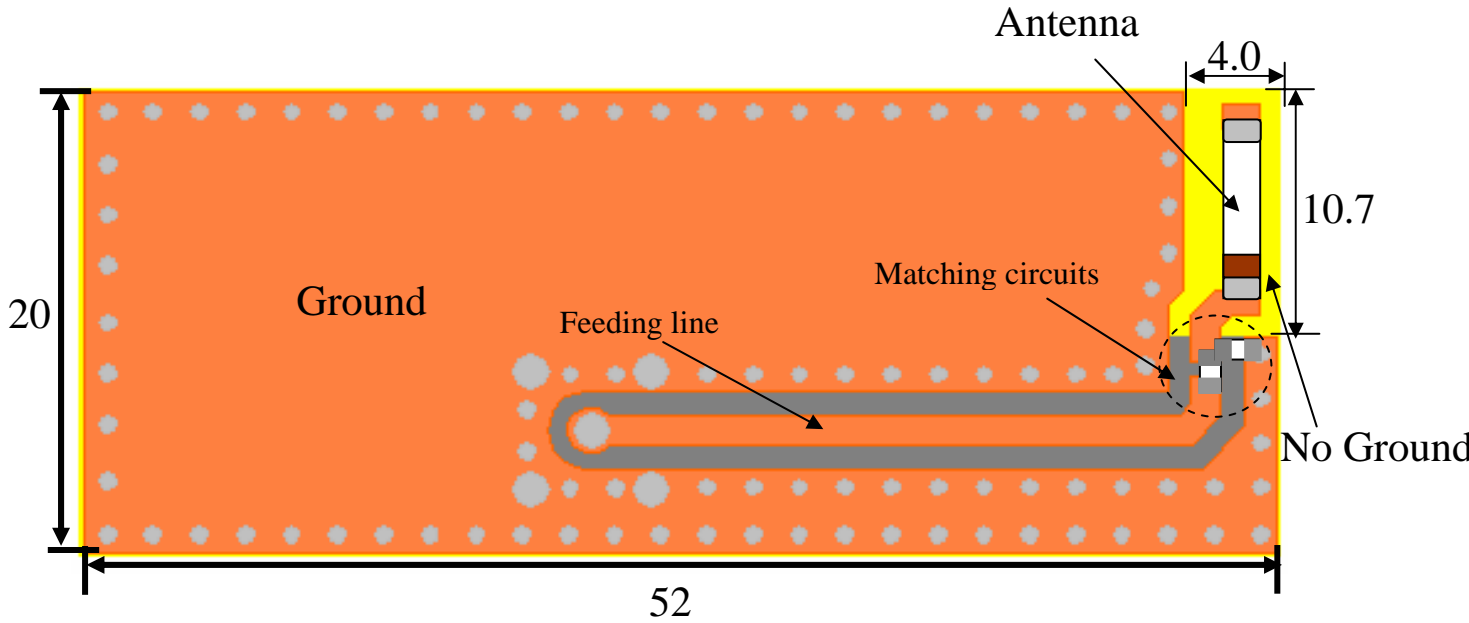


(Matching circuit and component values will be different, depending on PCB layout)

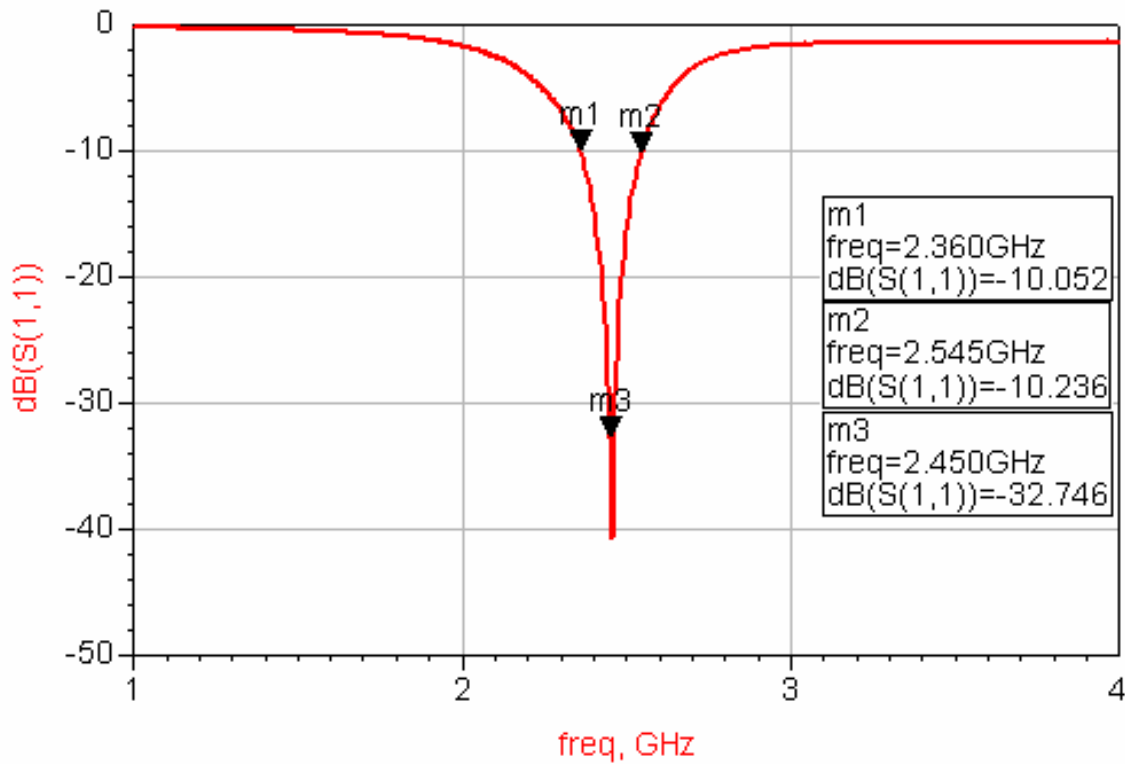
\*Line width should be designed to match  $50\Omega$  characteristic impedance, depending on PCB material and thickness.

Typical Electrical Characteristics (T=25°C)

❖ Test Board – Type B (Unit in mm)

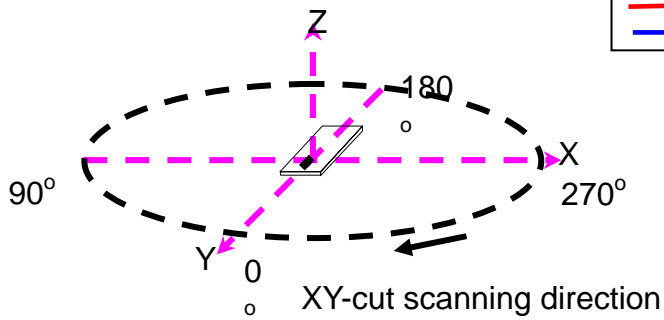


❖ Return Loss / With Matching Circuits

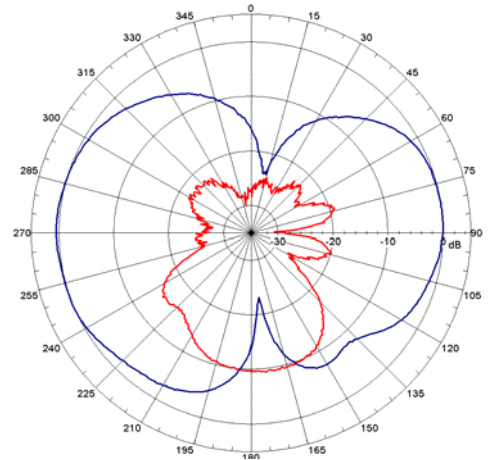


❖ Radiation Patterns

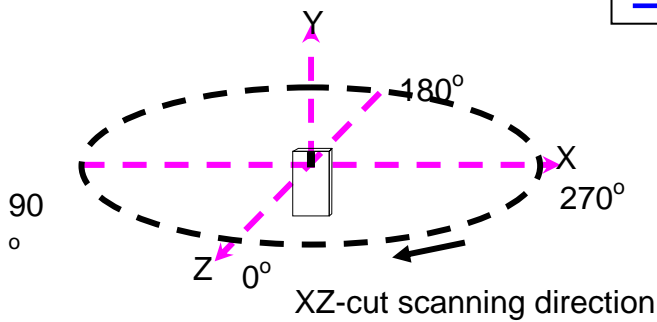
XY-V/XY-H



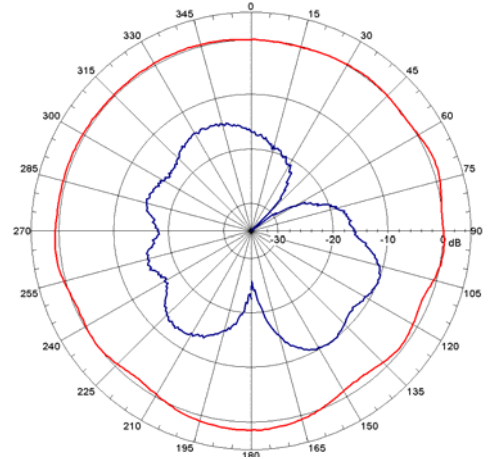
XY cut @2.45GHz  
— Vertical  
— Horizontal



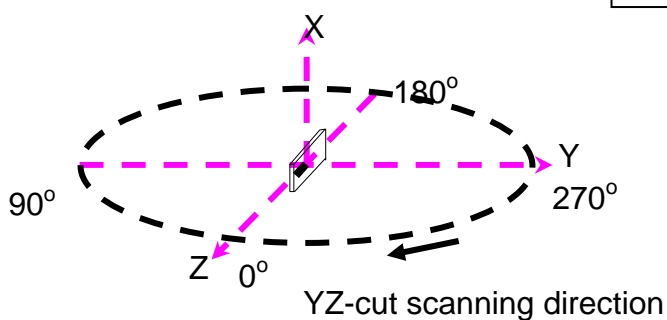
XZ-V/XZ-H



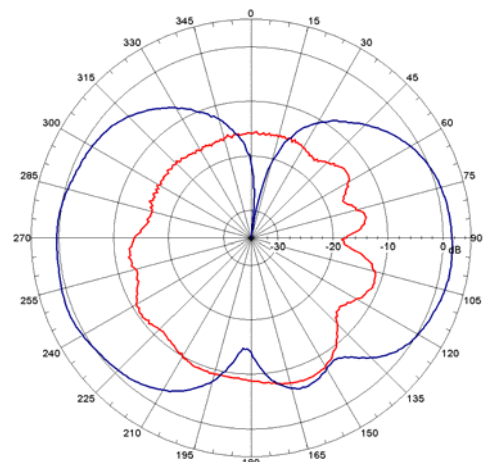
XZ cut @2.45GHz  
— Vertical  
— Horizontal



YZ-V/YZ-H



YZ cut @2.45GHz  
— Vertical  
— Horizontal



**Advanced Ceramic X Corp.**

16 Tzu Chiang Road, Hsinchu Industrial District Hsinchu Hsien 303, Taiwan

TEL:886-3-5987008 FAX:886-3-5987001

E-mail: [acx@acxc.com.tw](mailto:acx@acxc.com.tw) <http://www.acxc.com.tw>