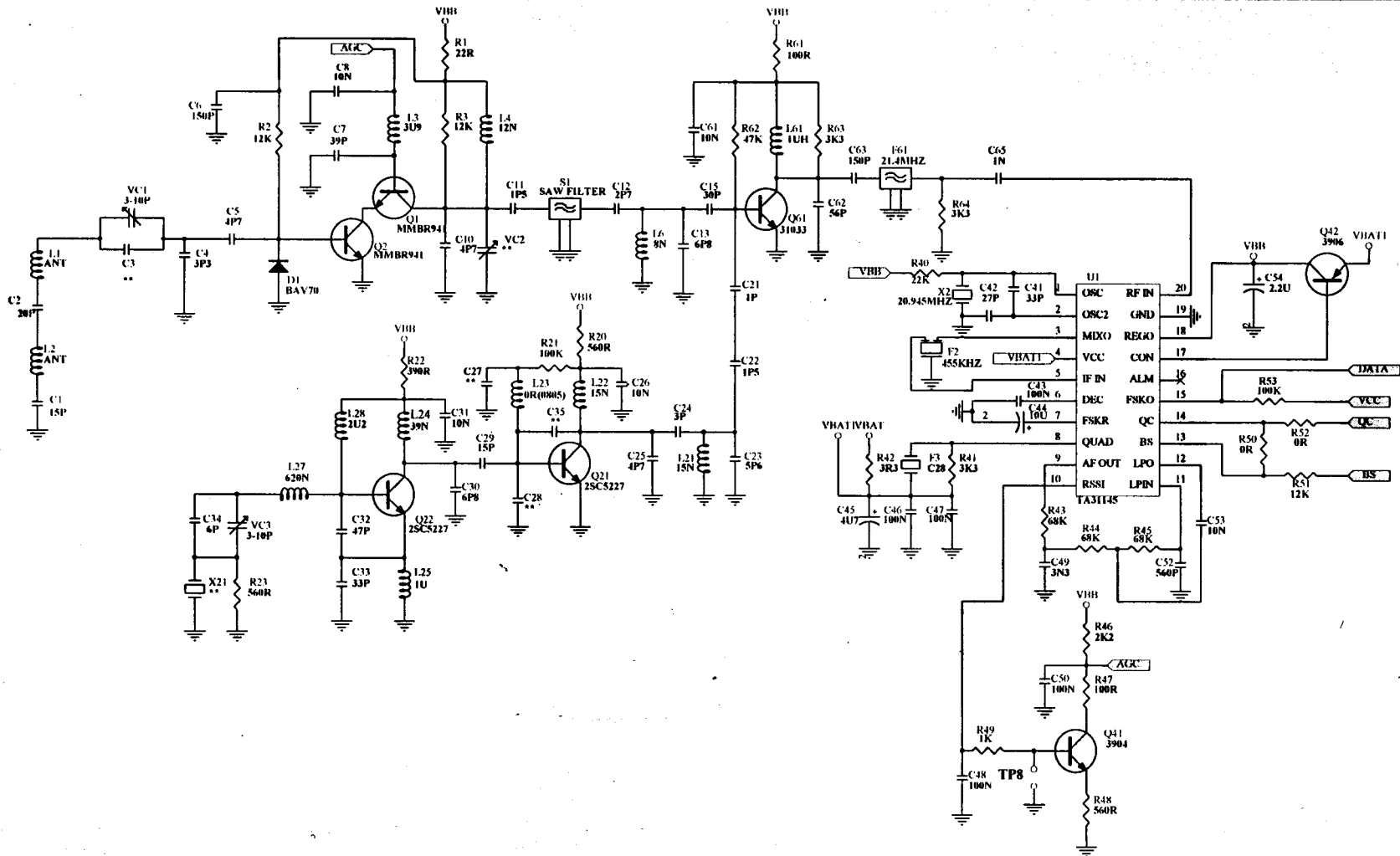


Main Board (M30600M8)			
File	Number	Revision	1.3
Date:	27-Dec-1999	Drawn by	
File:	C:\My Documents\U998-D-V1.2.3\Drawn by:	Printed	



Title		
AP91 454MHZ RF BOARD		
Size	Number	Revision
B		1
Date:	9-Jun-2001	Sheet of
File:	C:\WORKDOWN\Desktop\ap91-454MHzRF	BY: LION CHENG