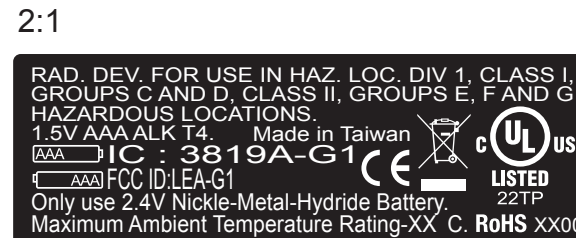
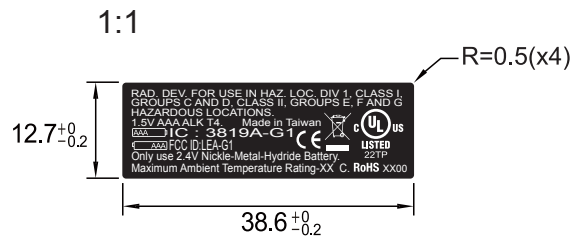


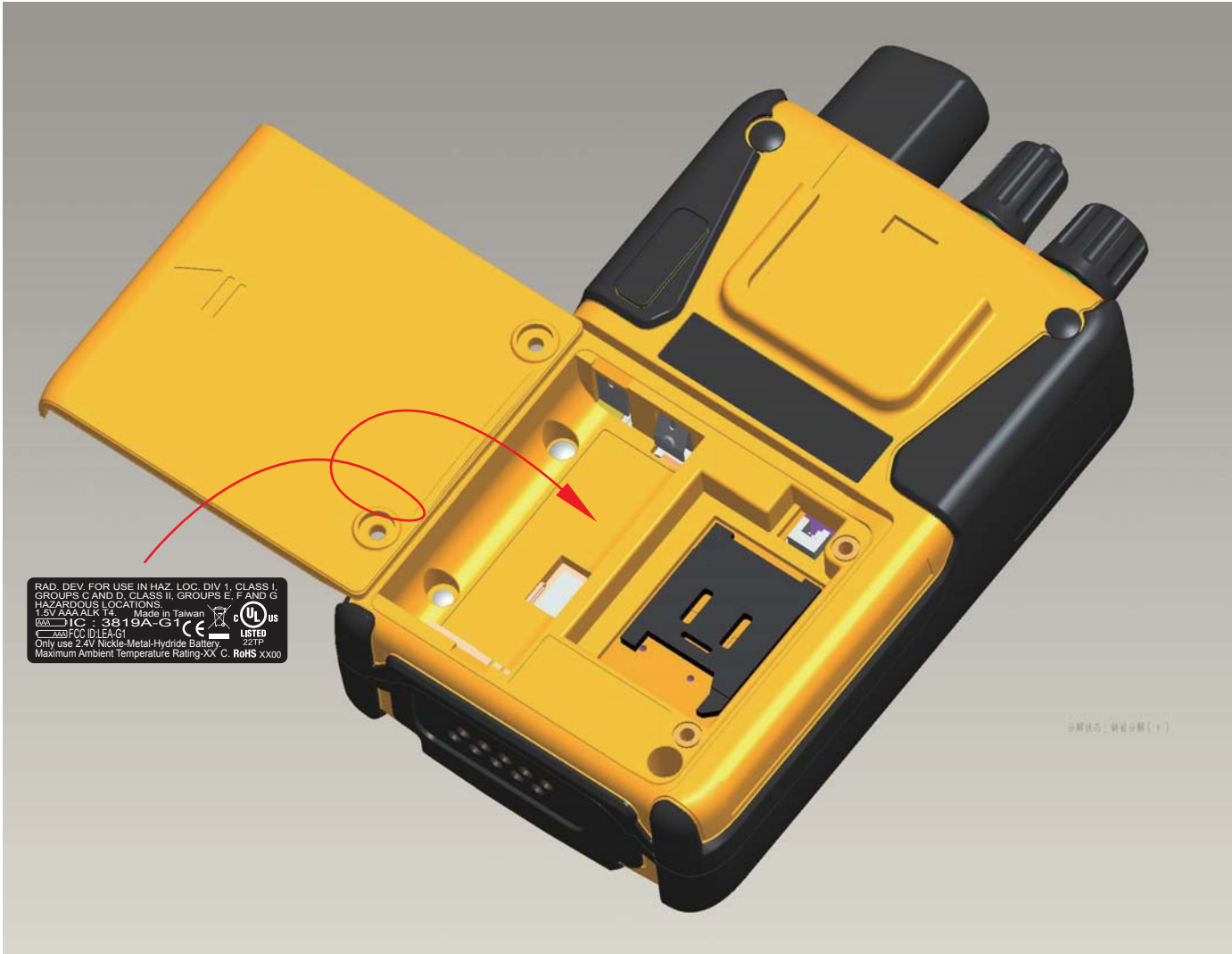
VERSION	DESCRIPTION	DATE	REVISO
1	RELEASE	2012/04/20	黃淑桂
2			
3			



NOTE:

1. MATERIAL: PC (TEXTURE)
2. THICKNESS: 0.2MM^{±0.00}_{0.03}(背膠+面材總厚度)
3. GROUND COLOR: BLACK
4. PRINTING COLOR: WHITE
5. ADHESIVE ITEM: 3M 467MP

核准 APPROVED	校對 CHECKED	設計 DESIGNED	製圖 DRAWN	材質 MATERIAL	PC	品名: UL LABEL(GSM)
		黃淑桂 2012/04/20	黃淑桂 2012/04/20	處理 FINISH	霧面, 背膠	PART NAME (12.7*38.6mm)
				用量 QUANTITY	1	UNICATION CO.,LTD. 機型: MODEL: G1
			比例 SCALE	單位 UNIT:MM	張頁 PAGE 1	料號: PART NO. T87G100002-R



RAD. DEV. FOR USE IN HAZ. LOC. DIV 1, CLASS I,
GROUPS C AND D, CLASS II, GROUPS E, F AND G
HAZARDOUS LOCATIONS:
1.5V AAA ALK T4 Made in Taiwan
JIC : 3819A-G1
POD 1L4-S1 LISTED
Only use 2.4V Nickel-Metal-Hydrate Battery 221P
Maximum Ambient Temperature Rating-XX C. RoHS xx00

圖解說明書(1)