

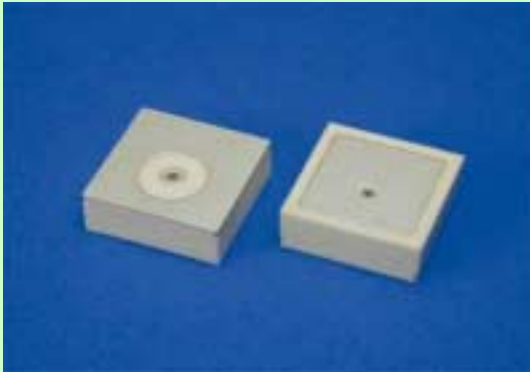
Dielectric Antenna (Preliminary)

P / N : MAP5800AEA01

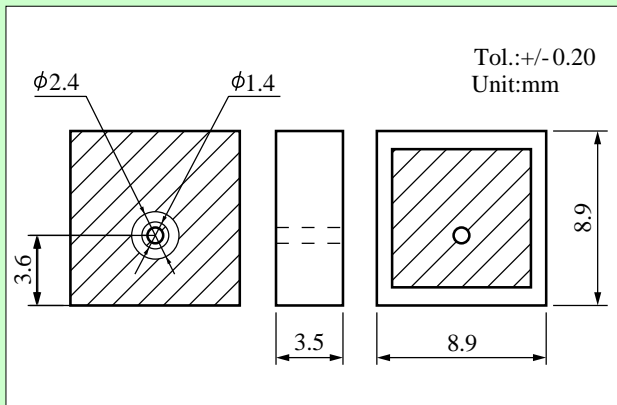
Application : Wireless LAN

Features

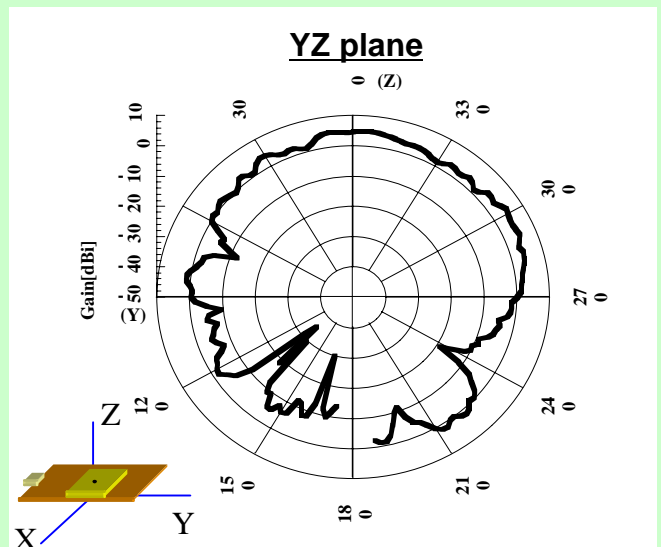
1. **Small size - Light weight**
(0.28 cc , 1.25g)
2. **Wide band - High gain**
3. **Surface Mountable (SMD)**



Dimensions



Directivity



Electrical characteristics

	Center Freq. [MHz]	Pass Band [MHz]	V.S.W.R. [-]	Max. Gain [dBi]	Ave. Gain [dBi]	Impedance [ohm]
Spec.	(5800)	5750-5850	2.0 max.	-	-	(50)
Typ.	(5800)	(5750-5850)	1.38	3.59	-2.86	(50)

- All the technical data and information contained herein are subject to change without prior notice.