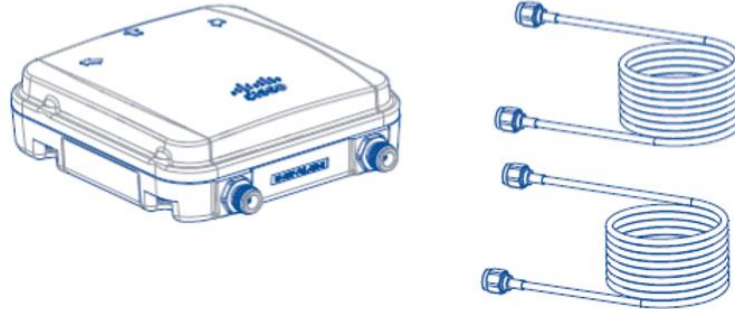


IW-ANT-PNL-515-N

1 Antenna overview



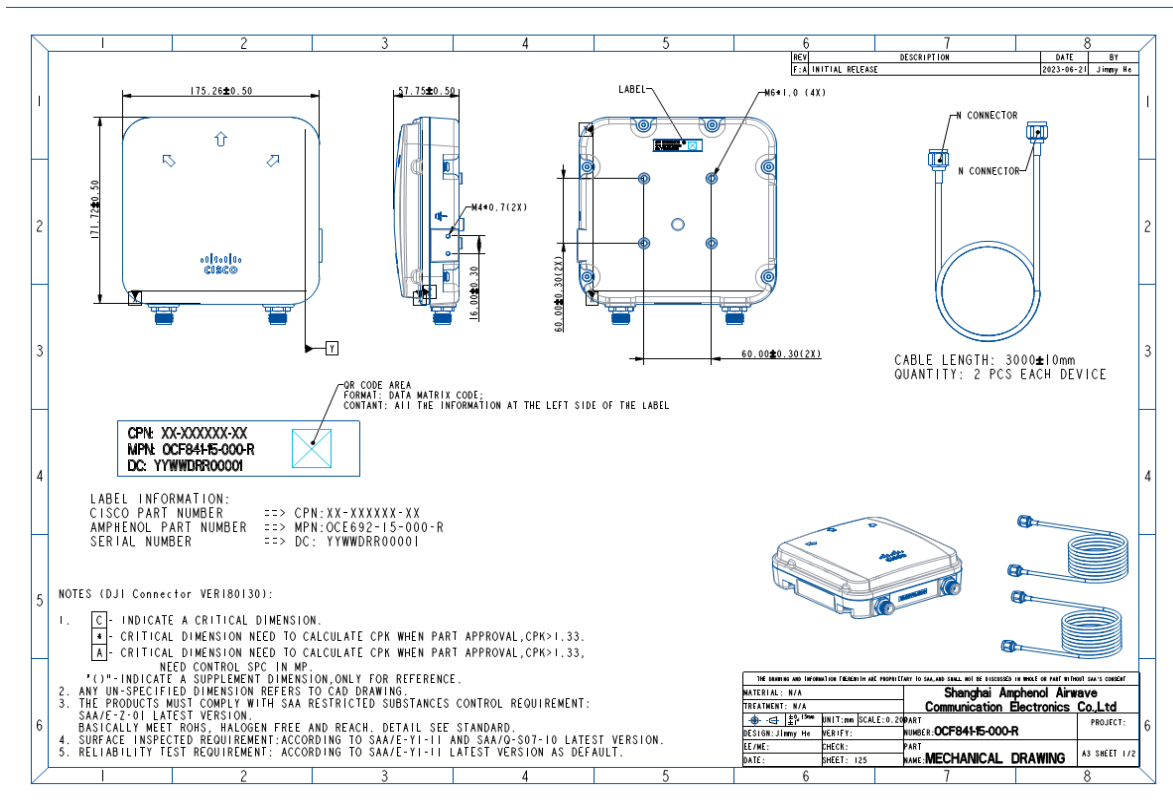
2 RF Specifications

Description	Directional 2-port array
Frequency	4900-5925 MHz
Polarization	$\pm 45^\circ$
VSWR	< 2.2:1
Port-to-Port Isolation	> 25 dB
Gain	14.5 dBi
HPBW (V, H)	21 \pm 4 deg, 28 \pm 5 deg

3 Mechanical Specifications

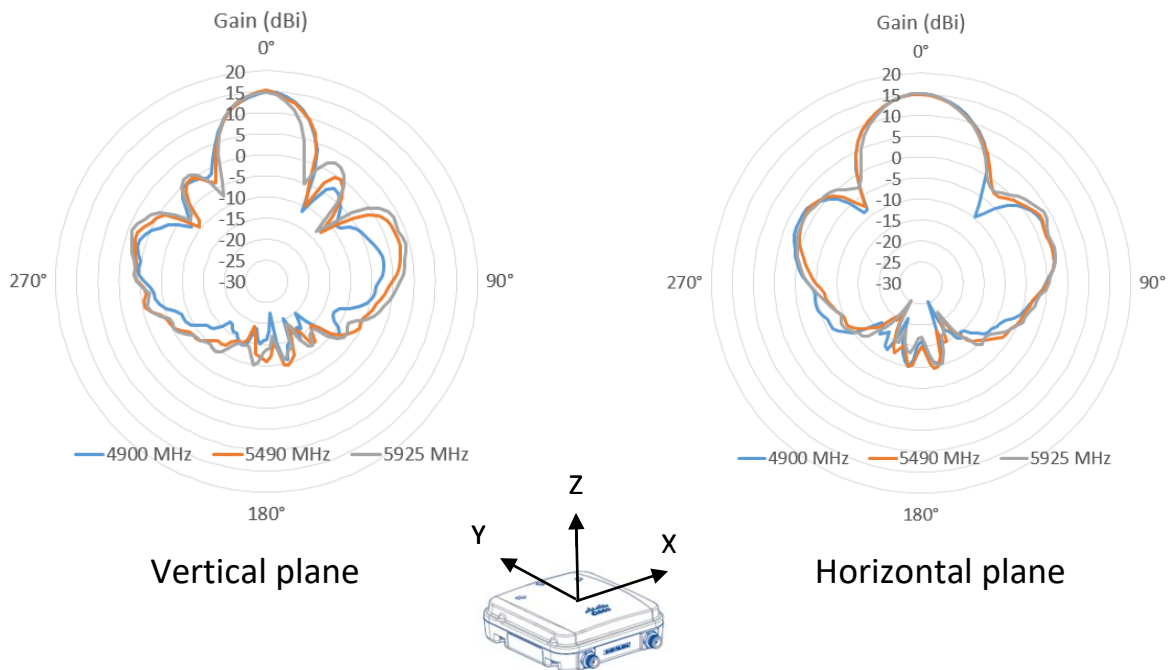
Device size	191.3mm * 175.3mm * 57.8mm
Cable length	3 m
Cable Type	LMR 240
Connector	N-Type, female
Wind rating	200 km/h
Operating temp	-40 to +85 °C
Flammability	UL-94 V0
IP rating	IP66, IP67

4 Mechanical Drawing



5 RF Performance

5.1 5GHz Radiation Pattern





Shanghai Amphenol Airwave Communication Electronics Co., Ltd.

No 689 Shen Nan Road, Xin Zhuang Industry Park,
Shanghai 201108 P. R. China
<http://www.amphenol-saa.com>