



S4905WBCFNM

Omnidirectional Antenna 4.9-5.85 GHz

The wide band S4905WBCFNM is optimized for direct chassis mount to outdoor radios or NEMA enclosures. These antennas come standard with an integrated N male connector directly mounted to the base of the antenna. The rugged directly mounted connector is perfect for outdoor MESH applications that often require the antenna to be directly mounted to the radio or enclosure. The antenna is enclosed in a UV stable, water-resistant housing and the antenna will provide years of trouble-free service.

FEATURES AND BENEFITS

- Vertically polarized omnidirectional
- Rugged, lightweight, and water resistant
- Direct to radio mounting
- 5 GHz broadband WLAN

APPLICATIONS

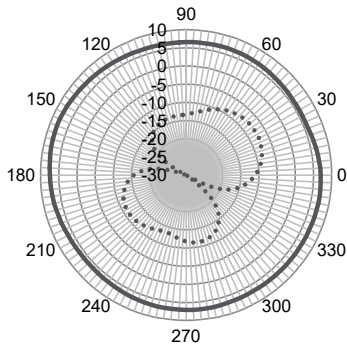
- College campuses
- Airports
- Hospitals
- Transportation centers
- WiMAX

ELECTRICAL SPECIFICATION

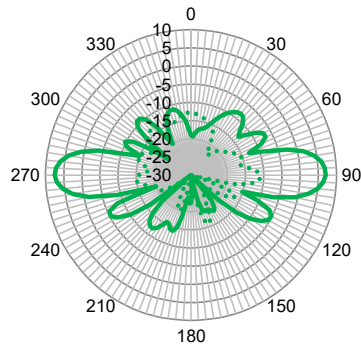
Model Number	S4905WBCFNM
Cisco Model Number	AIR-ANT5180V-N
Cisco Part Number	07-1062-01
Operating Frequency (GHz)	4.9-5.85
VSWR - Max	2.0:1
Gain (dBi)	4.9-5.0 GHz - 7.0 dBi / 5.4-5.85 GHz: 8.0 dBi
Nominal Impedance (Ohms)	50
Max Power - Ambient 25°C (W)	10
Polarization	Vertical Linear
Vertical Plane 3 dB Beamwidth	16°
Input RMS Power	5 Watts

RADIATION PATTERNS

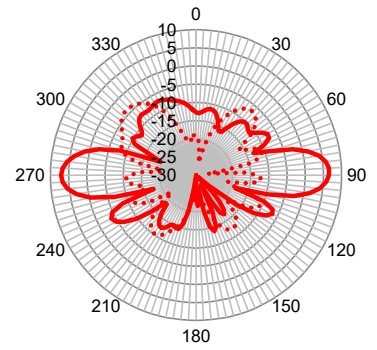
4900 MHz



— S4905WBCFNM Co-Polar
 S4905WBCFNM Cross-Polar

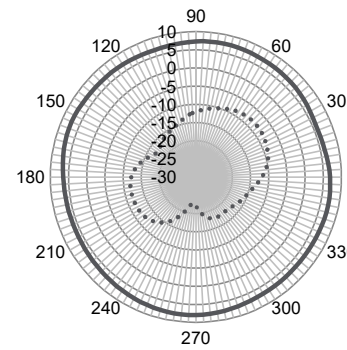


— S4905WBCFNM Co-Polar
 S4905WBCFNM Cross-Polar

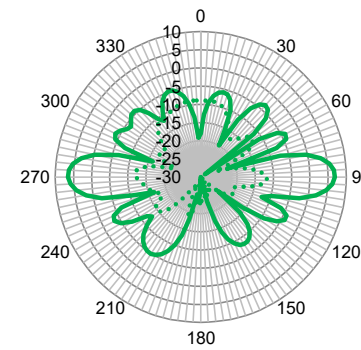


— S4905WBCFNM Co-Polar
 S4905WBCFNM Cross-Polar

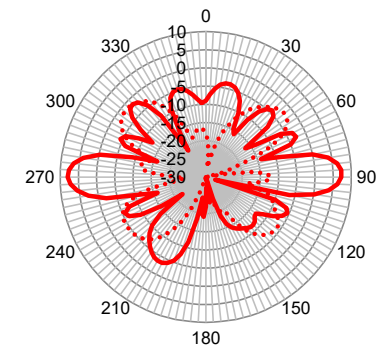
5400 MHz



— S4905WBCFNM Co-Polar
 S4905WBCFNM Cross-Polar

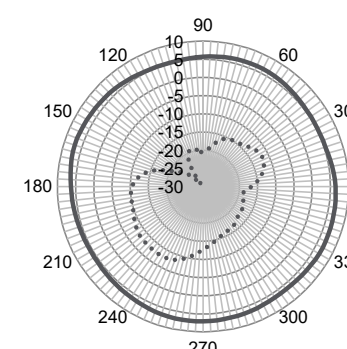


— S4905WBCFNM Co-Polar
 S4905WBCFNM Cross-Polar

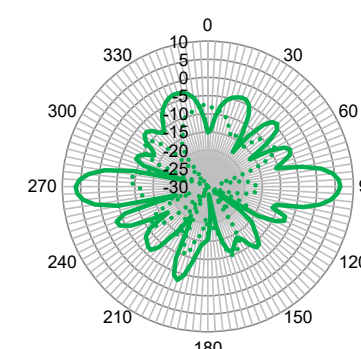


— S4905WBCFNM Co-Polar
 S4905WBCFNM Cross-Polar

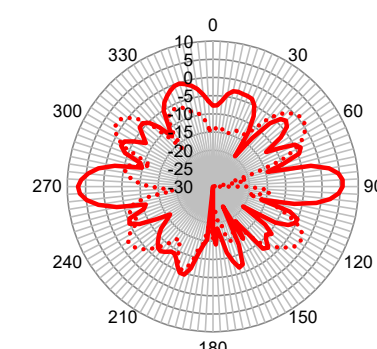
5850 MHz



— S4905WBCFNM Co-Polar
 S4905WBCFNM Cross-Polar



— S4905WBCFNM Co-Polar
 S4905WBCFNM Cross-Polar



— S4905WBCFNM Co-Polar
 S4905WBCFNM Cross-Polar

MECHANICAL SPECIFICATION

Dimensions - mm (inches)	292.1 x 25.4 (11.5 x 1.0)
Weight - kg (lbs.)	0.14 (0.3)
Radome Material	Stable White UV Polycarbonate
Connector	Type N Male
Mount Style	Direct mount (upright or inverted)
Drainage	Weep Holes provided for Standard or Inverted mounting

ENVIRONMENTAL SPECIFICATION

Operating Temperature - °C (°F)	-30 to +70°C (-22 to +158°F)
Storage Temperature - °C (°F)	-40 to +85°C (-40 to +185°F)

Company Address: TE Connectivity, 3101 Fulling Mill Road, Middletown, PA, 17057, USA

TE TECHNICAL SUPPORT CENTER

USA:	+1 (800) 522-6752
Canada:	+1 (905) 475-6222
Mexico:	+52 (0) 55-1106-0800
Latin/S. America:	+54 (0) 11-4733-2200
Germany:	+49 (0) 6251-133-1999
UK:	+44 (0) 800-267666
France:	+33 (0) 1-3420-8686
Netherlands:	+31 (0) 73-6246-999
China:	+86 (0) 400-820-6015

te.com

TE, and TE connectivity (logo) are trademarks owned or licensed by the TE Connectivity Ltd. family of companies. All other logos, products and/or company names referred to herein might be trademarks of their respective owners.

The information given herein, including drawings, illustrations and schematics which are intended for illustration purposes only, is believed to be reliable. However, TE Connectivity makes no warranties as to its accuracy or completeness and disclaims any liability in connection with its use. TE Connectivity's obligations shall only be as set forth in TE Connectivity's Standard Terms and Conditions of Sale for this product and in no case will TE Connectivity be liable for any incidental, indirect or consequential damages arising out of the sale, resale, use or misuse of the product. Users of TE Connectivity products should make their own evaluation to determine the suitability of each such product for the specific application.

TE Connectivity warrants to the original end user customer of its products that its products are free from defects in material and workmanship. Subject to conditions and limitations TE Connectivity will, at its option, either repair or replace any part of its products that prove defective because of improper workmanship or materials. This limited warranty is in force for the useful lifetime of the original end product into which the TE Connectivity product is installed. Useful lifetime of the original end product may vary but is not warranted to exceed one (1) year from the original date of the end product purchase.

©2022 TE Connectivity. All Rights Reserved.

08/22 Original