



OC24528-CS4

Vertically Polarized Omni Antenna 2400-2500 MHz/5150-5875 MHz

The wideband OC24528-CS4 antenna offers full-band coverage for 802.11b/a/g/n and includes all hardware required to mount indoors or outdoors.

FEATURES AND BENEFITS

- Vertically polarized omnidirectional
- Rugged, lightweight, and water-resistant
- Compact size
- Full 802.11b/a/g/n wideband performance

APPLICATIONS

- Outdoor metropolitan mesh networks
- Enterprise WLAN networks
- Indoor/outdoor mast mounts
- High to medium density customer premise locations
- MIMO applications

ELECTRICAL SPECIFICATION

Model Number	OC24528-CS4
Cisco Model Number	AIR-ANT2547VG-NS
Cisco Mfg Part Number	07-100546-01
Operating Frequency	2400-2483 MHz / 5250-5850 MHz
VSWR - Max	2.2:1
Gain (dBi)	2400-2483 MHz: 4.0 dBi / 5250-5850 MHz: 7.0 dBi
Nominal Impedance (Ohms)	50
Max Power - Ambient 25°C (W)	10
Polarization	Vertical Linear
E-Plane 3 dB Beamwidth	39° / 15°
H-Plane 3dB Beamwidth	Omnidirectional
Power	10 Watts

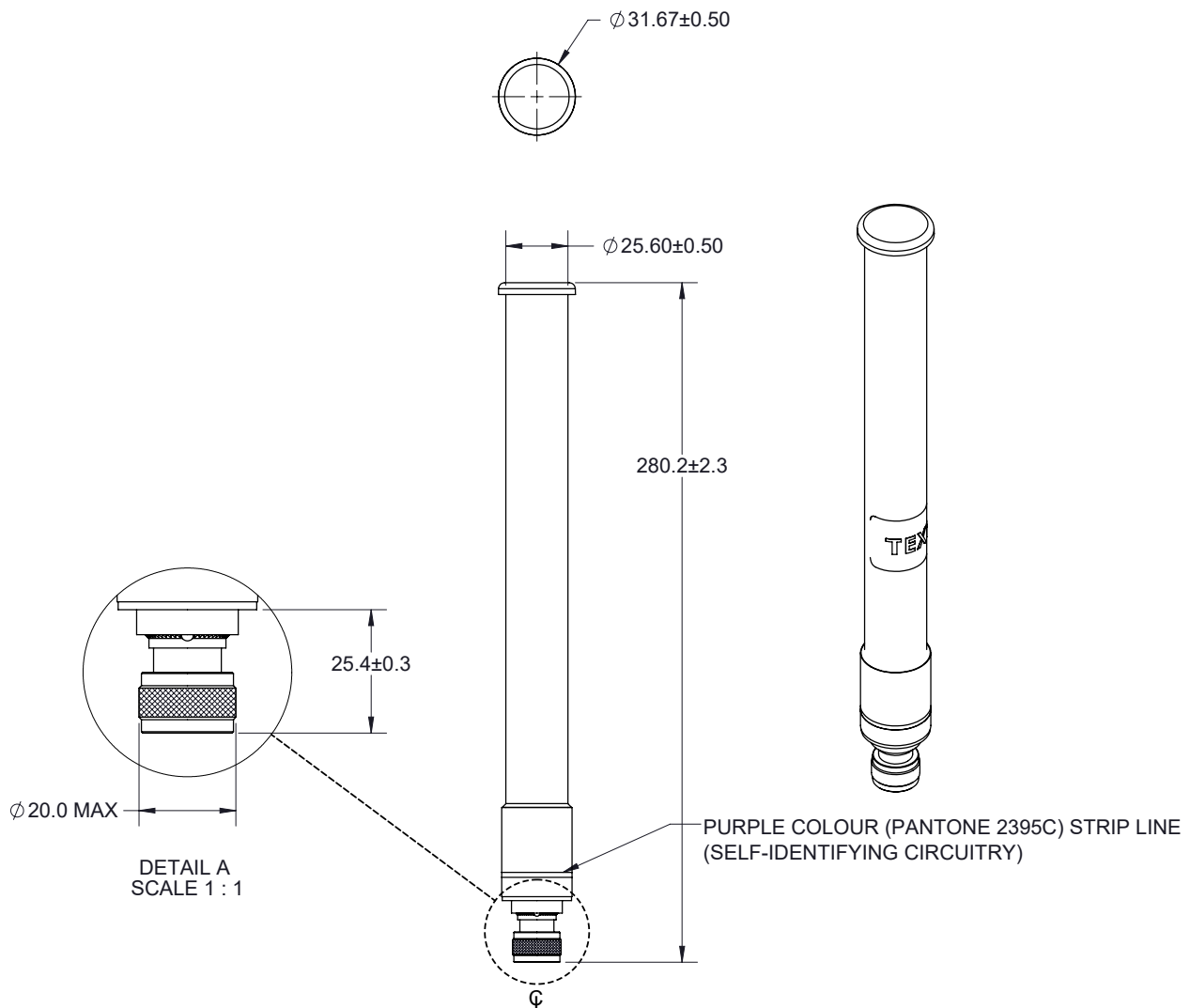
MECHANICAL SPECIFICATION

Dimensions - mm (inches)	280 x 31 (11 x 1.22)
Weight - kg (lbs.)	0.15 (0.33)
Radome Material	Stable Gray UV Polycarbonate
Connector	Type N Male, Fixed, Tri-Metal
Mount Style	Connector Fixed, Fixed Coupling Nut, Upright and Inverted Orientation
IP Rating	IP-66 & IP-67

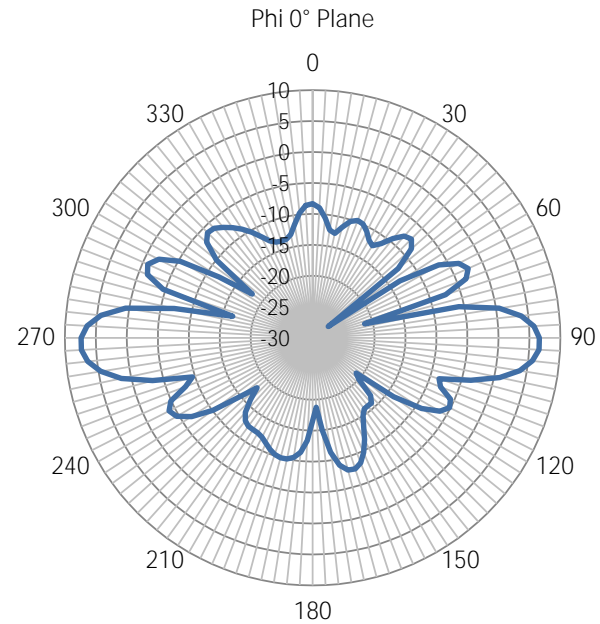
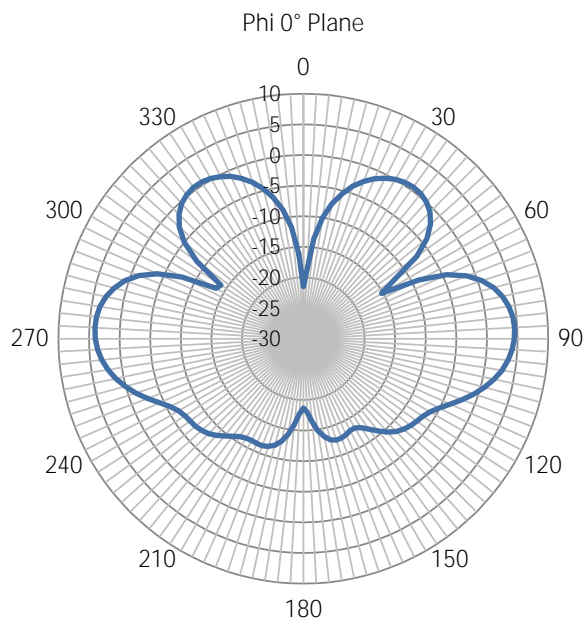
ENVIRONMENTAL SPECIFICATIONS

Operating Environment (Indoor or Outdoor)	Indoor/Outdoor
Operating Temperature - °C (°F)	-40 to +85°C (-40 to +185°F)
Storage Temperature - °C (°F)	-40 to +85°C (-40 to +185°F)
Material Substance Compliance	RoHS

MECHANICAL DRAWING AND MOUNTING



RADIATION PATTERNS



Company Address: TE Connectivity, 3101 Fulling Mill Road, Middletown, PA, 17057, USA

TE TECHNICAL SUPPORT CENTER

USA:	+1 (800) 522-6752
Canada:	+1 (905) 475-6222
Mexico:	+52 (0) 55-1106-0800
Latin/S. America:	+54 (0) 11-4733-2200
Germany:	+49 (0) 6251-133-1999
UK:	+44 (0) 800-267666
France:	+33 (0) 1-3420-8686
Netherlands:	+31 (0) 73-6246-999
China:	+86 (0) 400-820-6015

te.com

TE, and TE connectivity (logo) are trademarks owned or licensed by the TE Connectivity Ltd. family of companies. All other logos, products and/or company names referred to herein might be trademarks of their respective owners.

The information given herein, including drawings, illustrations and schematics which are intended for illustration purposes only, is believed to be reliable. However, TE Connectivity makes no warranties as to its accuracy or completeness and disclaims any liability in connection with its use. TE Connectivity's obligations shall only be as set forth in TE Connectivity's Standard Terms and Conditions of Sale for this product and in no case will TE Connectivity be liable for any incidental, indirect or consequential damages arising out of the sale, resale, use or misuse of the product. Users of TE Connectivity products should make their own evaluation to determine the suitability of each such product for the specific application.

TE Connectivity warrants to the original end user customer of its products that its products are free from defects in material and workmanship. Subject to conditions and limitations TE Connectivity will, at its option, either repair or replace any part of its products that prove defective because of improper workmanship or materials. This limited warranty is in force for the useful lifetime of the original end product into which the TE Connectivity product is installed. Useful lifetime of the original end product may vary but is not warranted to exceed one (1) year from the original date of the end product purchase.

©2022 TE Connectivity. All Rights Reserved.

08/22 Original