



Cisco Systems, Inc  
170 West Tasman Drive  
San Jose, CA 95134

# LDKESW6300 2461N-ESW6300

Drawings of the compliance label on the module

Sincerely yours,

A handwritten signature in grey ink that reads "Adam Walb".

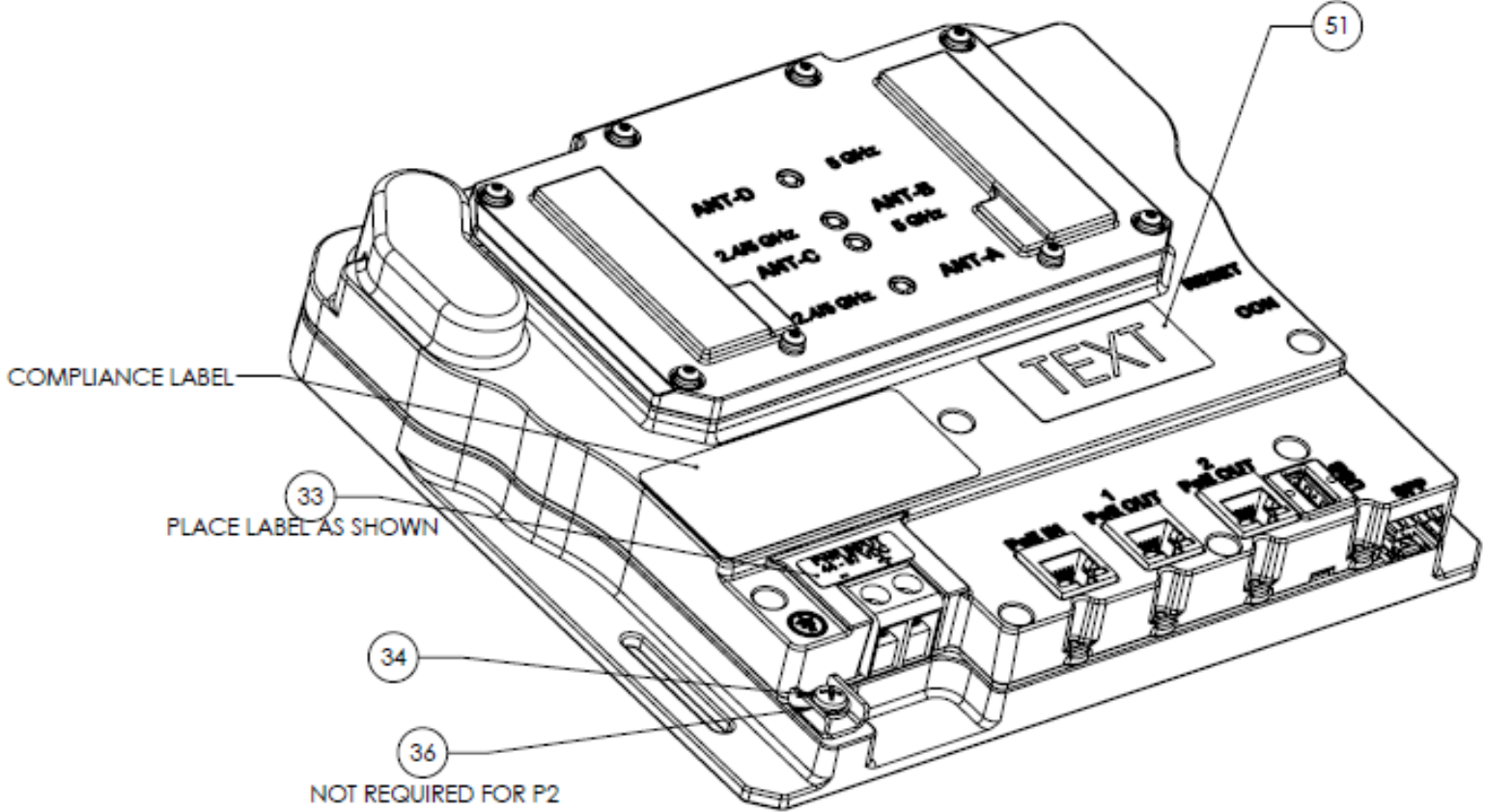
-----  
Adam Walb / Manager, Compliance

Cisco Systems Inc

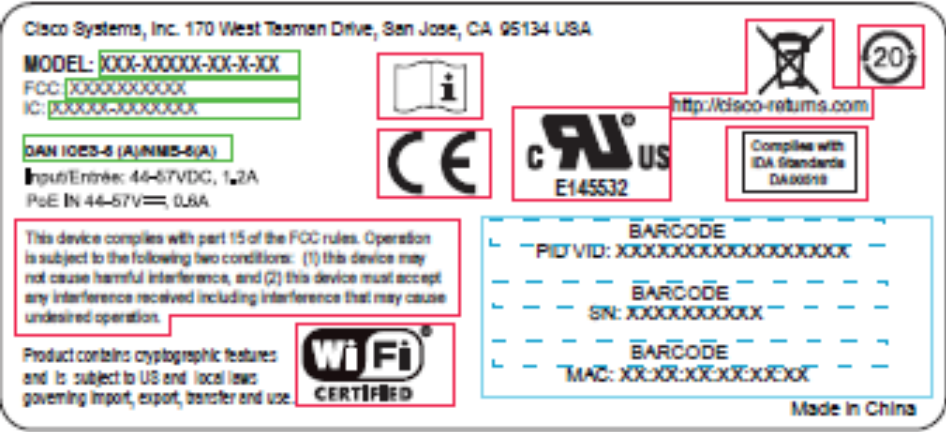
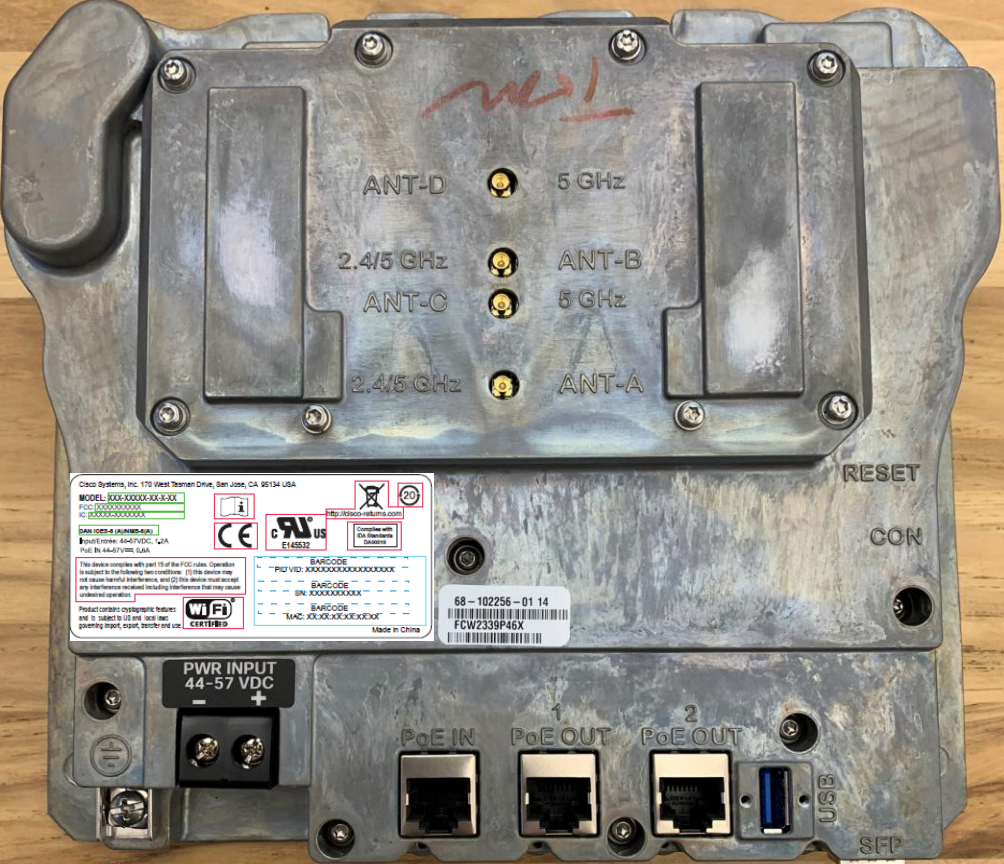
Tel: 408-526-4124

E-mail: [awalb@cisco.com](mailto:awalb@cisco.com)

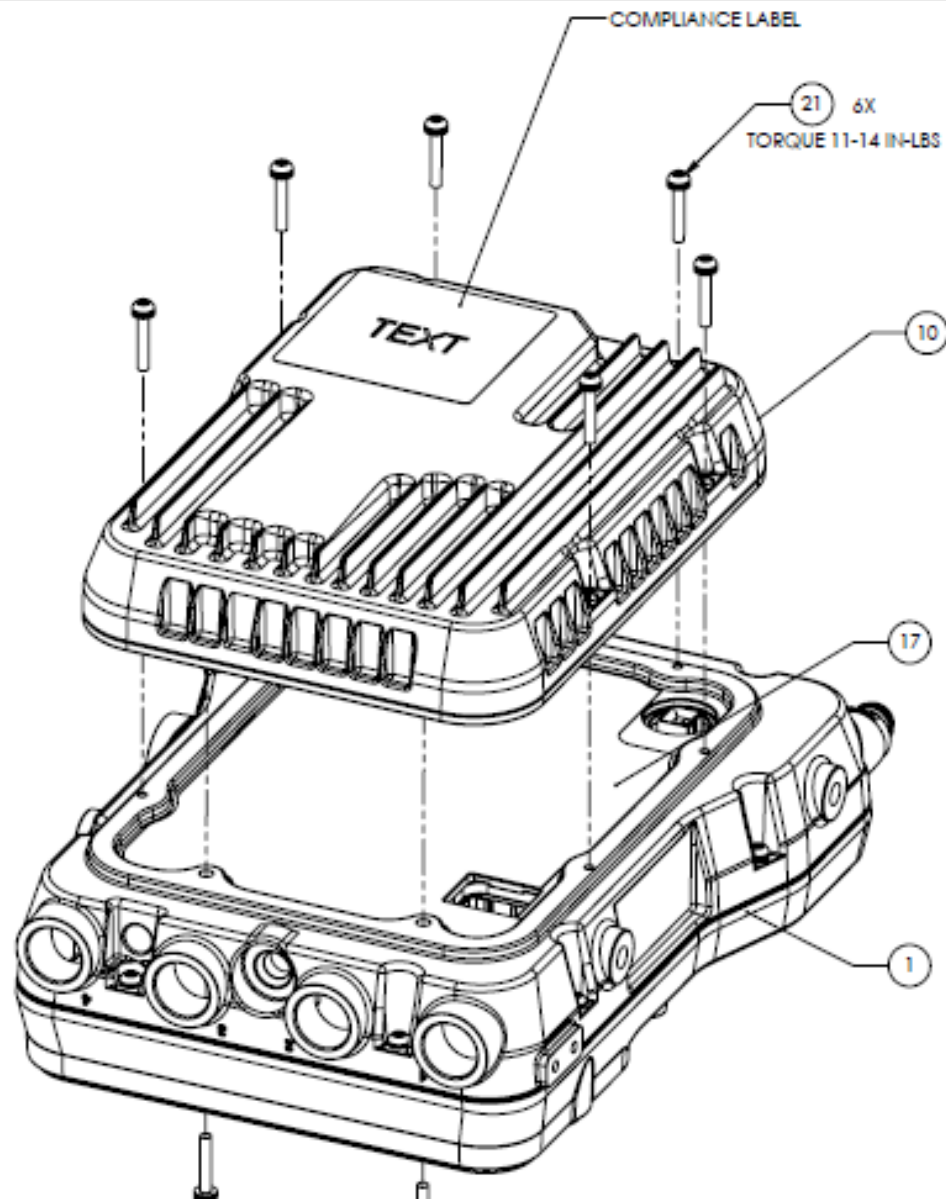
Engineering Drawing of where the compliance labels go.



Label placement and blown up version.



- The label is printed on demand so the FCC and IC ID numbers are filled in during printing
- The printed text is controlled by our product mapping file
- MODEL: ESW-6300-CON
- FCC ID: LDKESW6300
- IC ID: 2461N-ESW6300



## IW-6300H-AC-x-K9

Cisco Systems, Inc. 170 W. Tasman Dr., San Jose, CA USA

This device complies with Part 15 of the FCC Rules. Operation is subject to the following two conditions: 1) This device may not cause harmful interference received. 2) This device must accept any interference received, including interference that may cause undesired operation

CAN ICES-3 (A)/NMB-3(A)



<http://cisco-returns.com>



2.4 DS/OF 4



5.2/5.3 GHz is Limited To Indoor Use in Japan

R-NZ E503



CMIIT ID:XXXXXXXXXX



4546-15-1086

"Este equipamento opera em caráter secundário, isto é, não tem direito à proteção contra interferência prejudicial, mesmo de estações do mesmo tipo, e não pode causar interferência a sistemas operando em caráter primário."



IFT : XXXXXXXXXXXXX



Input/Entrée: 90-240 VAC , .7A

PoE IN 44-57V —, 0.6A

-40°C ≤ T<sub>a</sub> ≤ 70°C

IP67, Type 4X

**MODEL: IW-6300H**

Device Contains:

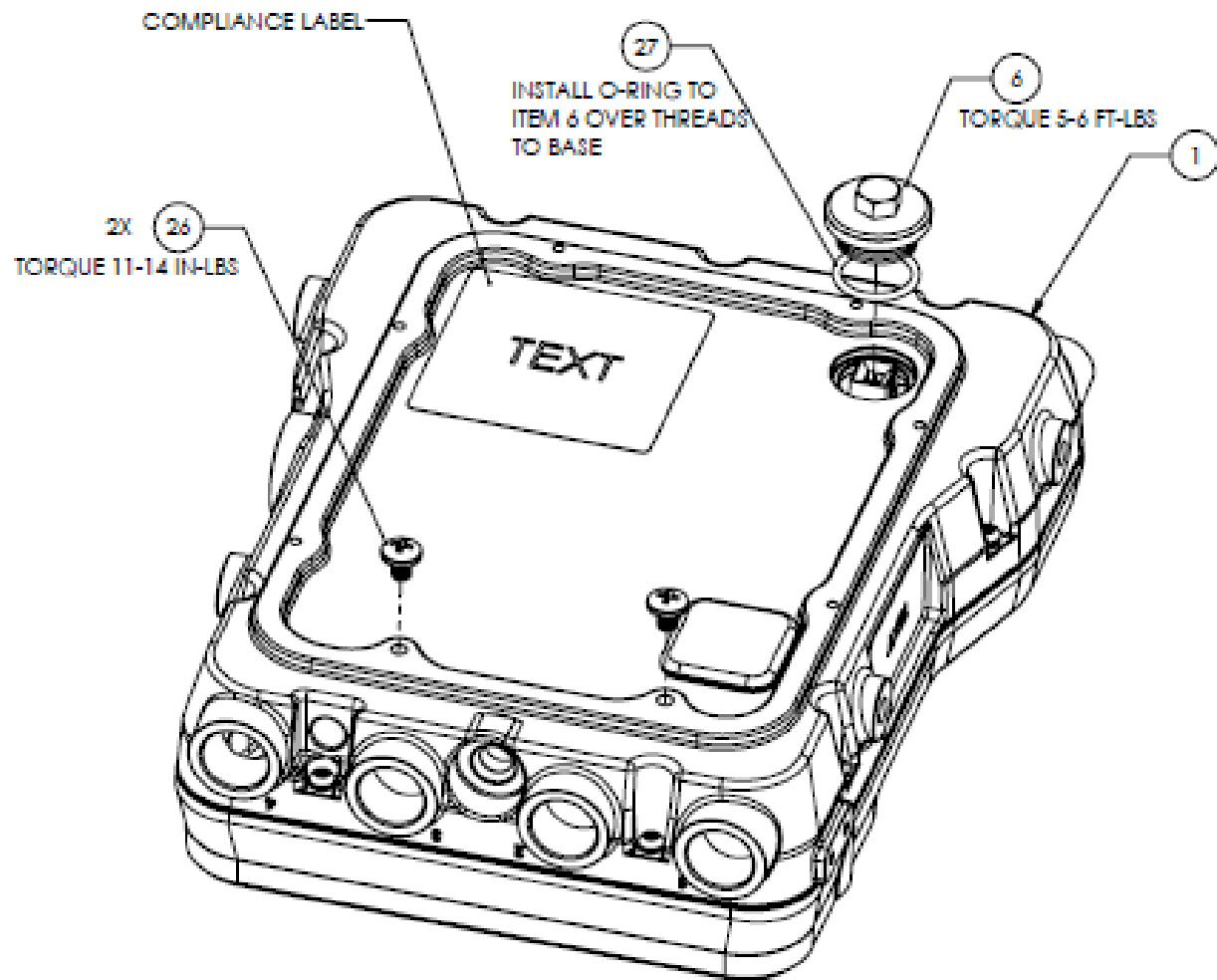
FCC: LDKESW6300

IC: 2461N-ESW6300

Country of Origin China

47-24707-01





## IW-6300H-DC-x-K9

Cisco Systems, Inc. 170 W. Tasman Dr., San Jose, CA USA

This device complies with Part 15 of the FCC Rules. Operation is subject to the following two conditions: 1) This device may not cause harmful interference received. 2) This device must accept any interference received, including interference that may cause undesired operation

CAN ICES-3 (A)/NMB-3(A)



<http://cisco-returns.com>



2.4 DS/ OF 4



5.2/5.3 GHz is Limited To Indoor Use in Japan

R-NZ E503



Complies with IDA Standards DA00518



4546-15-1086

CMIIT ID:XXXXXXXXXX



IFT : XXXXXXXXXXXXX



"Este equipamento opera em caráter secundário, isto é, não tem direito à proteção contra interferência prejudicial, mesmo de estações do mesmo tipo, e não pode causar interferência a sistemas operando em caráter primário."

Input/Entrée: 90-240 VAC , .7A

PoE IN 44-57V —, 0.6A

-40°C ≤ Ta ≤ 70°C

IP67, Type 4X

**MODEL: IW-6300H**

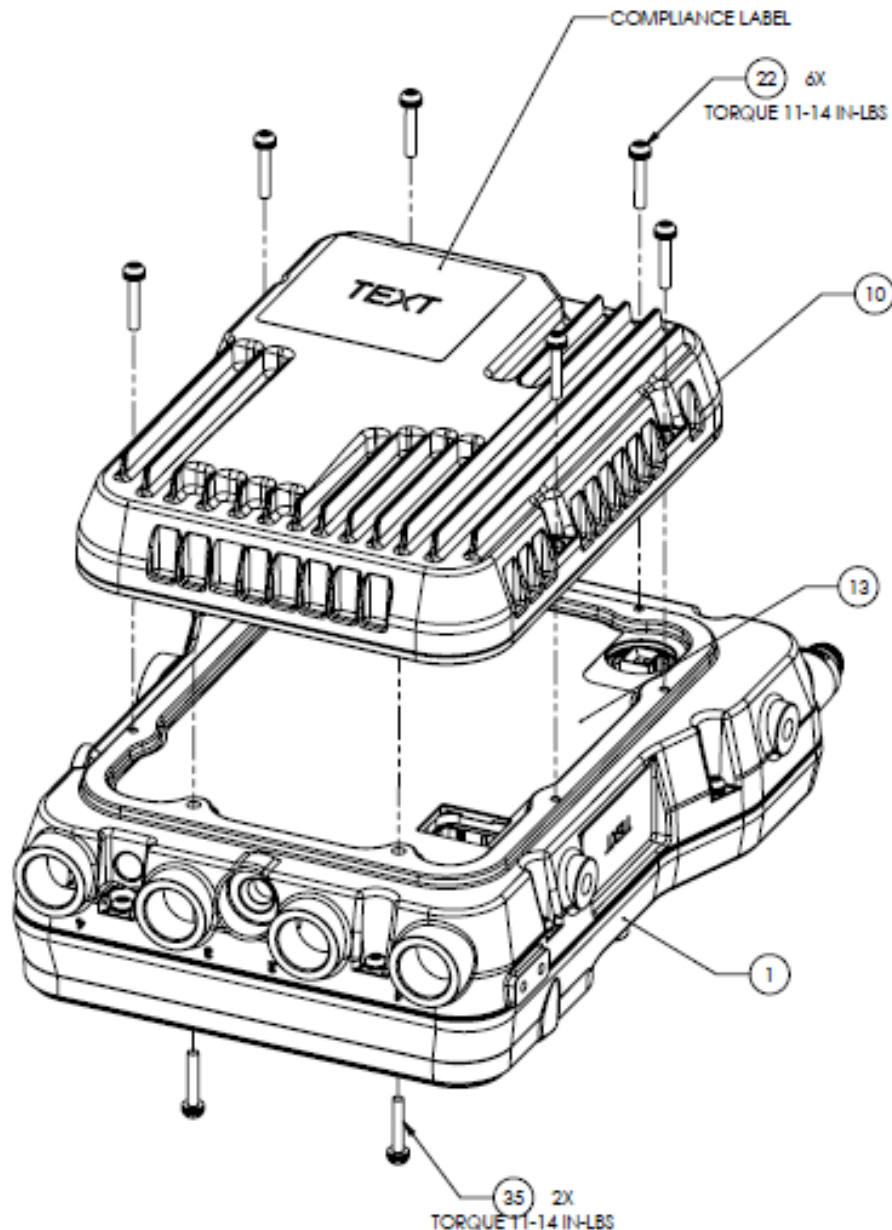
Device Contains:

FCC: LDKESW6300

IC: 2461N-ESW6300

Country of Origin China

47-24707-01



## IW-6300H-DCW-x-K9

Cisco Systems, Inc. 170 W. Tasman Dr., San Jose, CA USA

This device complies with Part 15 of the FCC Rules. Operation is subject to the following two conditions: 1) This device may not cause harmful interference received. 2) This device must accept any interference received, including interference that may cause undesired operation

CAN ICES-3 (A)/NMB-3(A)



<http://cisco-returns.com>



2.4 DS/ OF 4



5.2/5.3 GHz is Limited To Indoor Use in Japan

R-NZ E503



Complies with  
IDA Standards  
DA00518

CMIIT ID:XXXXXXXXXX



4546-15-1086

"Este equipamento opera em caráter secundário, isto é, não tem direito à proteção contra interferência prejudicial, mesmo de estações do mesmo tipo, e não pode causar interferência a sistemas operando em caráter primário."



IFT : XXXXXXXXXXXXX



Input/Entrée: 90-240 VAC , .7A

PoE IN 44-57V —, 0.6A

-40°C ≤ Ta ≤ 70°C

IP67, Type 4X

**MODEL: IW-6300H**

Device Contains:

FCC: LDKESW6300

IC: 2461N-ESW6300

Country of Origin China

47-24707-01