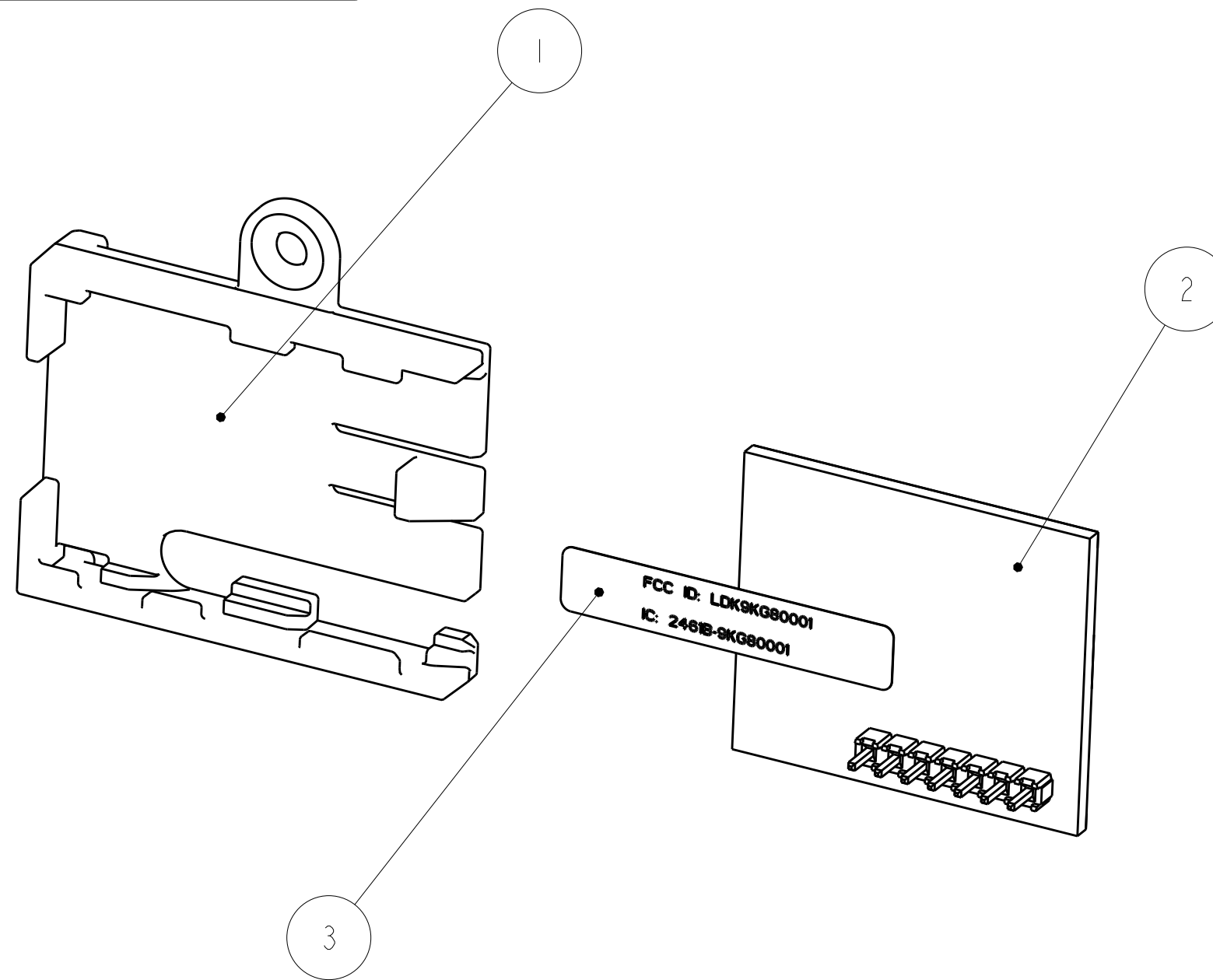
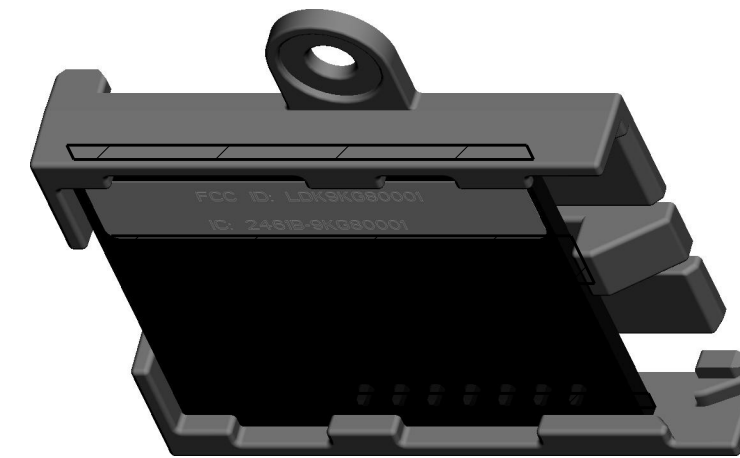
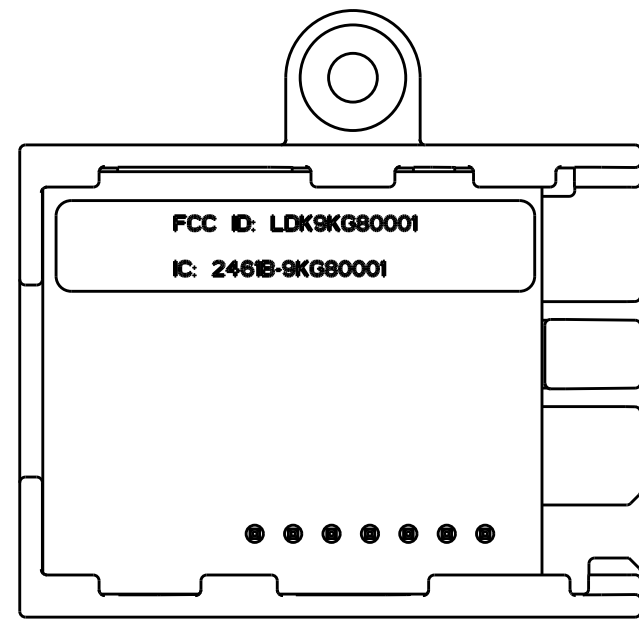


REVISION HISTORY			
REV	DESCRIPTION	DATE	APPROVED
A	I73499 CORNELL LEWIS	26-JUN-12	BRAD ROGERS
B	XXXXXX DSCHRODT	14-Aug-12	BRAD ROGERS



ITEM NO.	QTY REQD	PART NO.	DESCRIPTION	MAT'L SPEC AND SIZE OR COMPONENT VALUE	IDENTIFYING OR PART NO.	CAGE CODE
3	1	4XXXXXX	LABEL, FCC ID/IC			
2	1	4039229	PCB,BLUETOOTH DAUGHTERBOARD,7PIN-IF			
1	1	4036546	HOLDER, BLUETOOTH, 4KG7			

ALL DIMENSIONS ARE IN INCHES (MM) UNLESS OTHERWISE SPECIFIED
 TOLERANCES
 3 PLACE DECIMAL ±.005
 2 PLACE DECIMAL ±.02
 1 PLACE DECIMAL ±.1
 TOL ON ANGLES ±0°30'
 SURFACE ROUGHNESS: 125 ✓
 BREAK SHARP EDGES AND CORNERS INTERPRET DIM AND TOL PER ASME Y14.5M

ORIGINATOR: C. LEWIS
 ORIGINATION DATE: 26-Jun-12
 APPROVER INFORMATION MAINTAINED IN AGILE OR OTHER PDM SYSTEM

ENVIRONMENTAL REGULATORY COMPLIANCE REQUIREMENT
 THE MATERIALS AND PROCESSES USED TO DEVELOP, PRODUCE AND/OR MANUFACTURE PARTS AND PRODUCTS SHALL COMPLY WITH ALL APPLICABLE LAWS, REGULATIONS AND ORDINANCES WHICH REGULATE USE OF PRODUCT MATERIALS OR WHICH IMPACT, IN WHOLE OR IN PART, A PRODUCT'S SALE OR PLACEMENT INTO COMMERCE BY OR ON BEHALF OF CISCO. ADDITIONALLY, ALL PARTS, PRODUCTS AND OPERATIONS WILL COMPLY WITH CISCO ENVIRONMENTAL SPECIFICATIONS IN EFFECT AT TIME OF MANUFACTURE, INCLUDING THE FOLLOWING:
 EDCS-861823 CISCO CONTROLLED SUBSTANCES SPECIFICATION
 EDCS-827058 COMPLIANCE SPECIFICATION FOR BATTERIES AND PRODUCTS CONTAINING BATTERIES
 EDCS-886022 CISCO ENVIRONMENTAL PACKAGING SPECIFICATION

THIS DOCUMENT CONTAINS INFORMATION WHICH IS CONFIDENTIAL TO CISCO / SCIENTIFIC ATLANTA AND IS TO BE USED FOR THE PURPOSE IN WHICH IT HAS BEEN SUPPLIED

THIRD ANGLE PROJECTION

CISCO SERVICE PROVIDER BUSINESS
 Lawrenceville, Georgia USA

TITLE
PCB,BLUETOOTH DAUGHTERBOARD,7PIN-IF

SIZE C DWG NO. **7023393** REV **B**

SCALE 2.00 DWG TYPE Pro/E SHEET 1 OF 1

CAD DATA		
FILE NAME	Rev/Iteration/State	
DWG: 7023393_ASSY_RF4CE	B/O/WIP	
MODEL: 4043229_RF4CE_9KG8	B/O/WIP	