



## Engineering Data Sheet

**Part #: AIR-ANT1728 (Ceiling Mount)**

**Part #: AIR-ANT3213 (Mast Mount)**

**5 dBi, Diversity Omni-directional**

### Specifications:

Frequency Range .....2.5 GHz

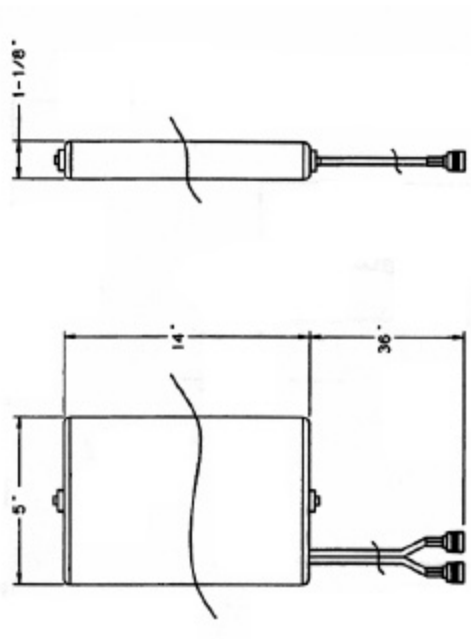
VSWR .....<2:1

Nominal Impedance .....50 ohms

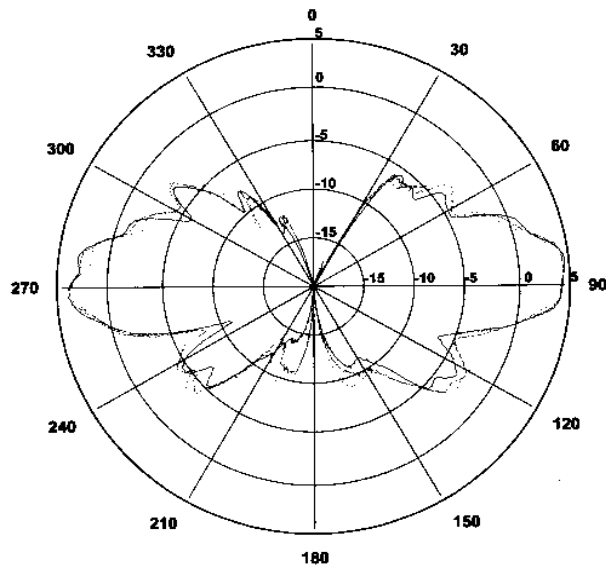
Gain .....5 dBi Nominal

Coax.....6" Dual 50 Ohm Low LossRG58

Coax Termination .....TNC Reverse Polarity Plug



*Elevation Pattern*



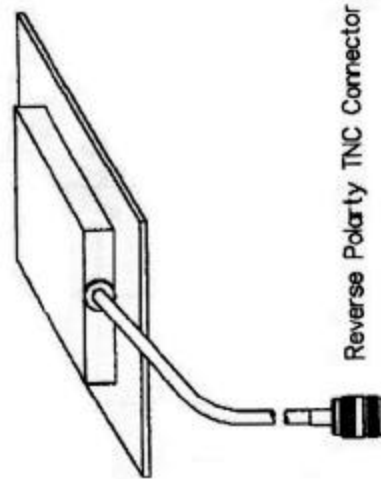


## Engineering Data Sheet

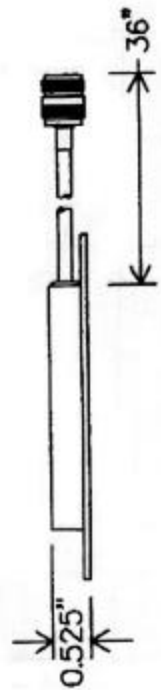
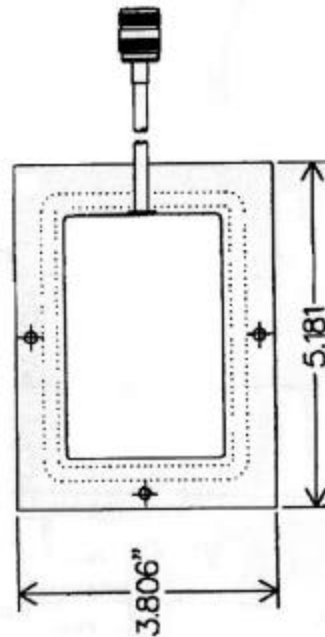
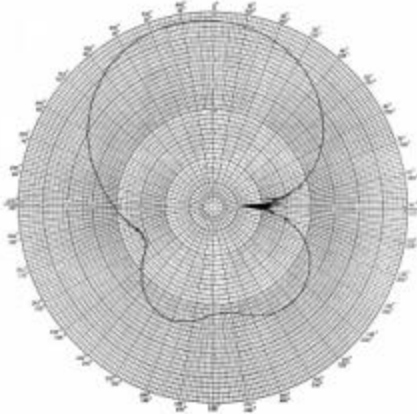
### Part #: AIR-ANT1729 6 dBi, Patch Antenna

#### Specifications:

Frequency Range ..... 2.4 - 2.5 GHz  
VSWR ..... 1.5:1  
Gain ..... 6 dBi  
Front to back Ratio ..... 18dB  
Termination ..... Rev. TNC and RG-58  
Height ..... 0.525"  
Width ..... 3.806"  
Length ..... 5.181"  
Material ..... ABS Plastic



*E plane and H plane*



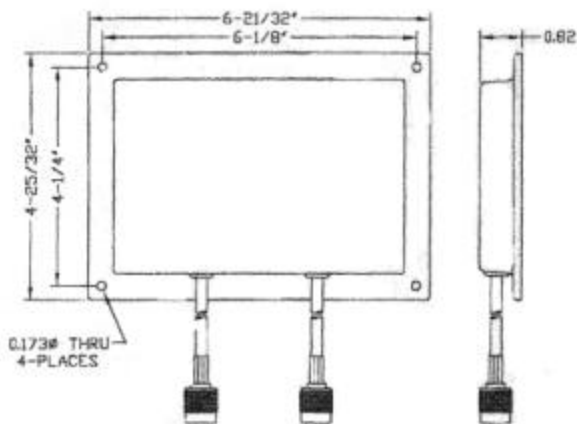
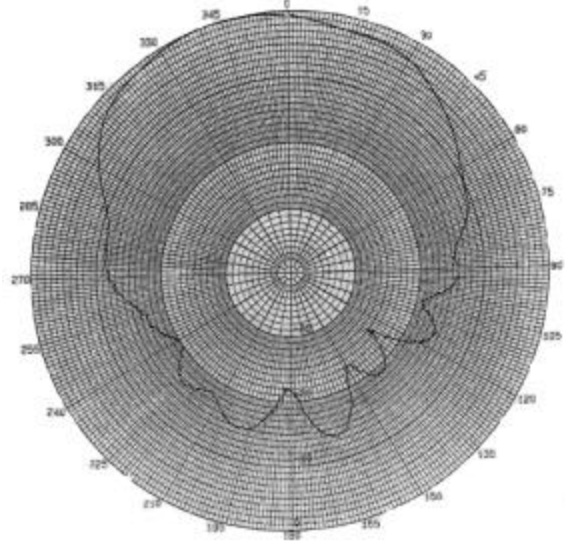


## Engineering Data Sheet

# Part #: AIR-ANT2012 2.4 GHz Spatial Diversity Directional Antenna

### Specifications:

Frequency Range ..... 2.4-2.5 GHz  
VSWR ..... 1.7:1  
Nominal Impedance ..... 50 ohms  
Gain ..... 6.5 dBi Nominal  
Polarization ..... Vertical Linear  
Coax ..... Dual Low Loss RG58  
Coax Termination ..... TNC Rev. Pol. Plug  
Weight ..... 9.6oz  
Power ..... 10 Watts  
Length ..... 6-21/32"



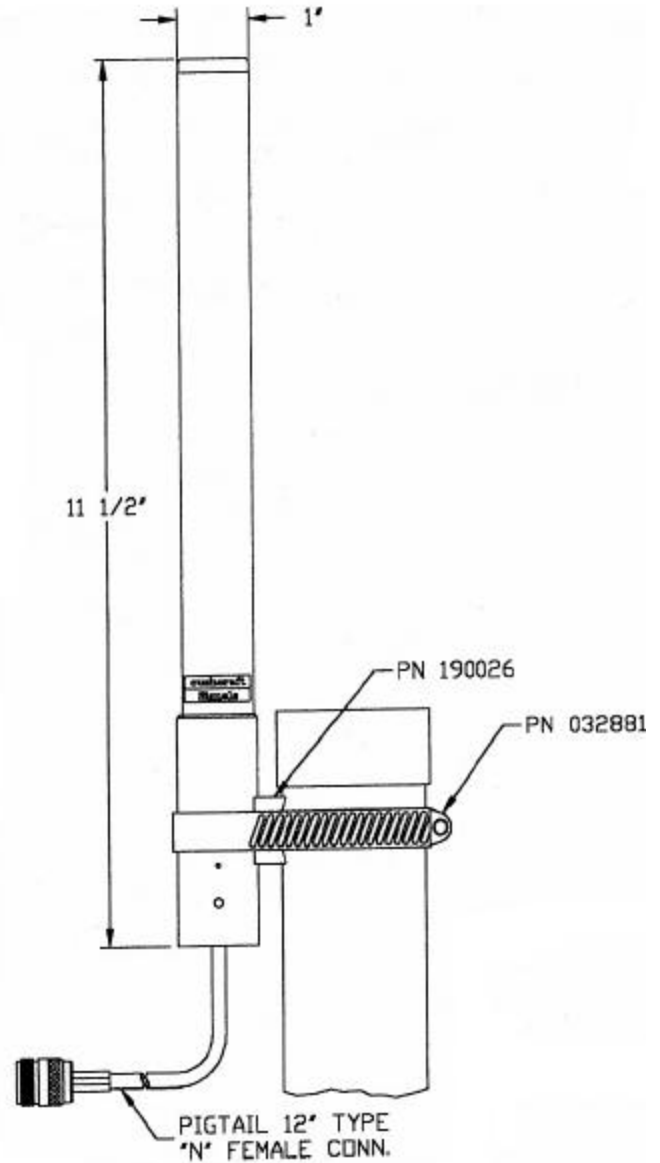
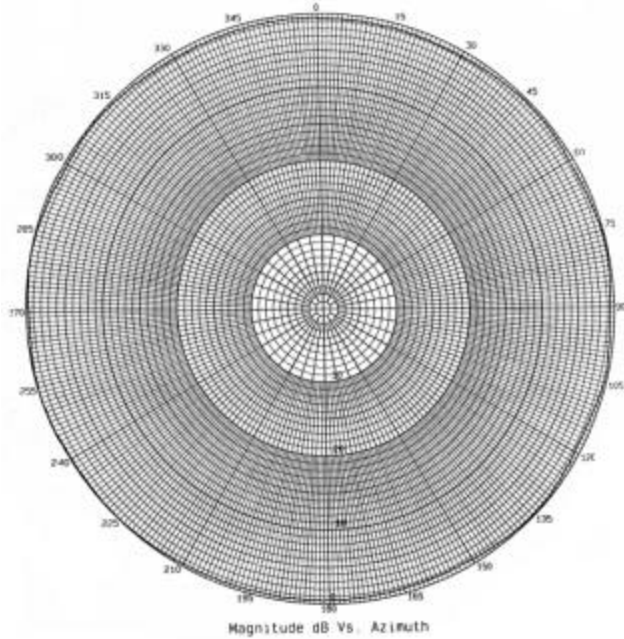


## Engineering Data Sheet

# Part #: AIR-ANT2506 3 dBd, Omni-directional Antenna

### Specifications:

Frequency Range ..... 2.4 – 2.5 GHz  
VSWR ..... 1.5:1  
Nominal Impedance ..... 50 ohms  
Gain ..... 3 dBd Nominal  
E-Plane 3dB Beamwidth ..... 38 Degrees  
Max Power ..... 50 Watts  
Material ..... Polycarbonate  
Package ..... Outdoor  
Coax ..... 36" RG58  
Coax Termination ..... TNC Rev. Pol. Plug



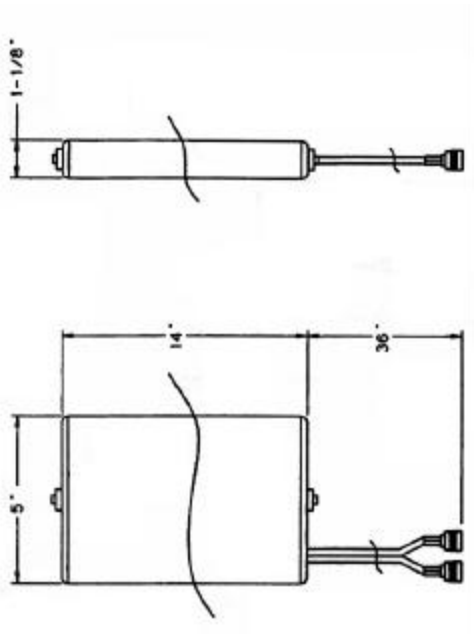


## Engineering Data Sheet

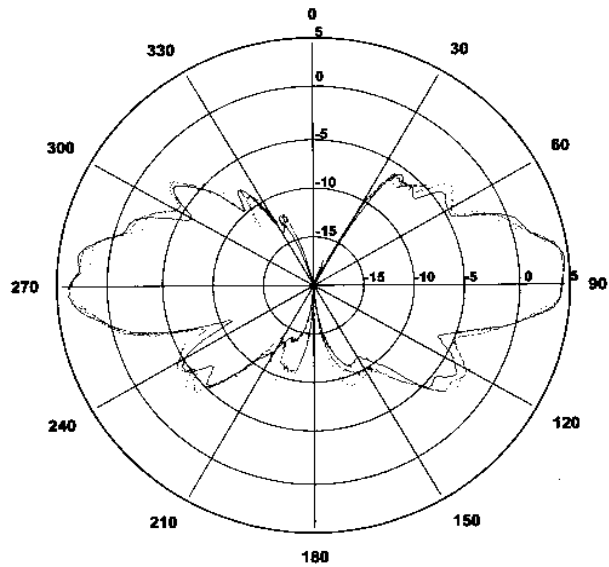
# Part #: AIR-ANT3213 5 dBi, Diversity Omni-directional

### Specifications:

Frequency Range .....2.5 GHz  
VSWR .....<2:1  
Nominal Impedance .....50 ohms  
Gain .....5 dBi Nominal  
Coax.....6" Dual 50 Ohm Low LossRG58  
Coax Termination .....TNC Reverse Polarity Plug



Elevation Pattern



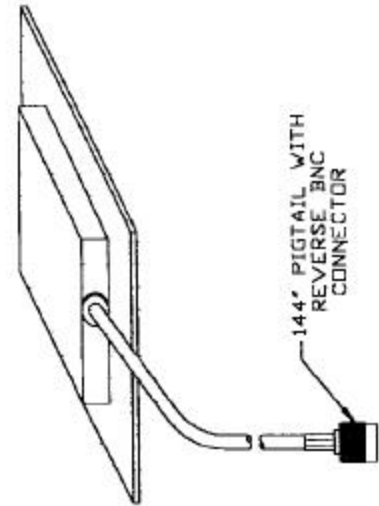


## Engineering Data Sheet

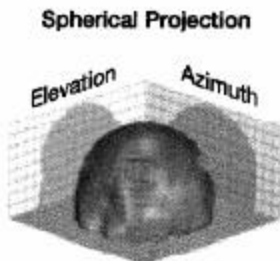
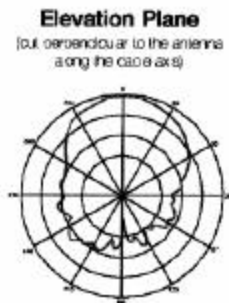
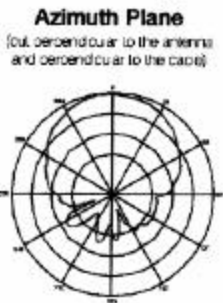
### Part #: AIR-ANT3549 8.5 dBi, Patch Antenna

#### Specifications:

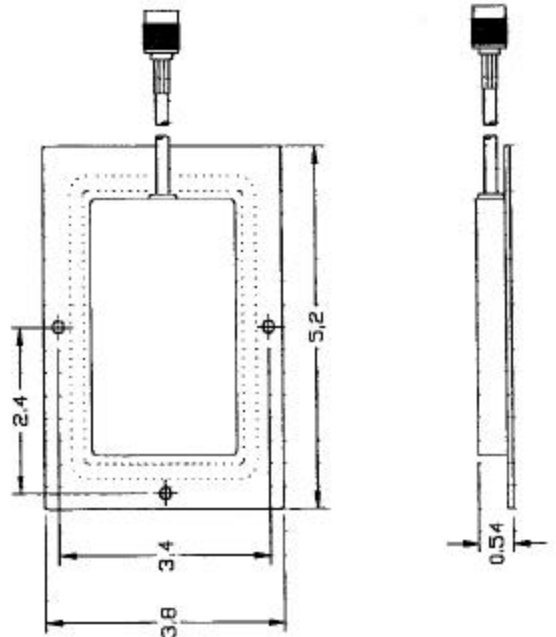
Frequency Range .....2.4 –2.5 GHz  
VSWR .....1.5:1  
Nominal Impedance .....50 ohms  
Gain .....8.5 dBi Nominal  
E-Plane 3dB Beamwidth.....55 Degrees  
H-Plane 3dB Beamwidth.....60 Degrees  
Polarization .....Linear  
Coax. ....36" RG-58  
Coax Termination .....TNC Rev. Pol.  
Environment.....Indoors/Outdoors



#### Typical Antenna Patterns



As shown in these typical antenna patterns, the Whisper antenna offers excellent high-gain reception over a broad area.



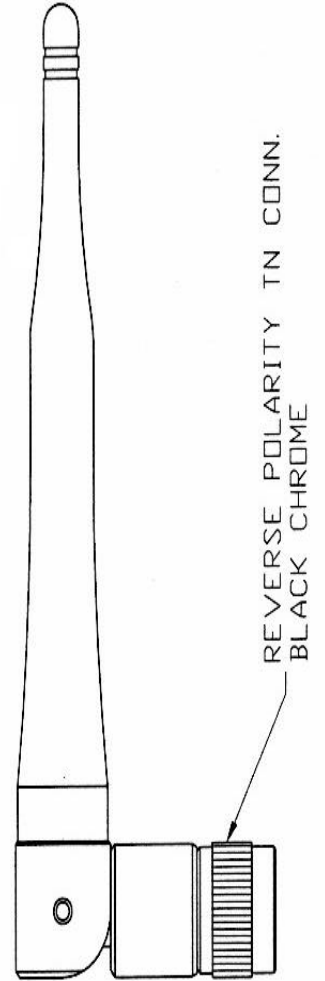
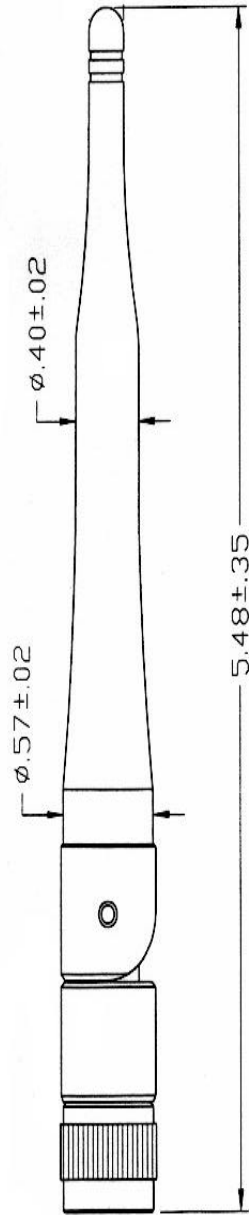
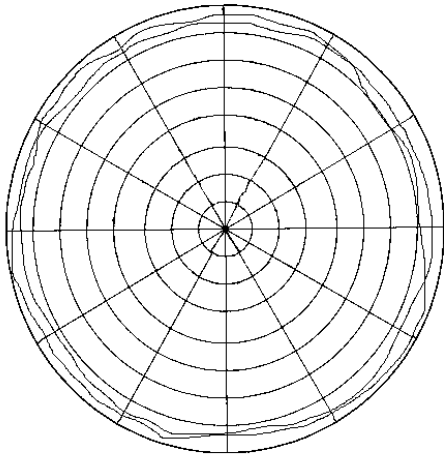


## Engineering Data Sheet

### **Part #: AIR-ANT4941** **2.2 dBi, Low Profile** **Dipole Antenna**

#### **Specifications:**

Frequency Range .....2.45-2.4835 GHz  
VSWR .....1.5:1  
Nominal Impedance .....50 ohms  
Gain .....2.2 dBi Nominal  
Polarization .....Vertical  
Termination.....TNC Rev. Pol. Plug



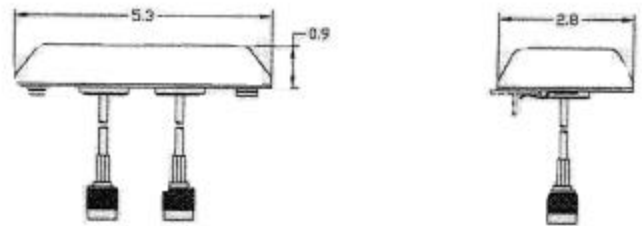


## Engineering Data Sheet

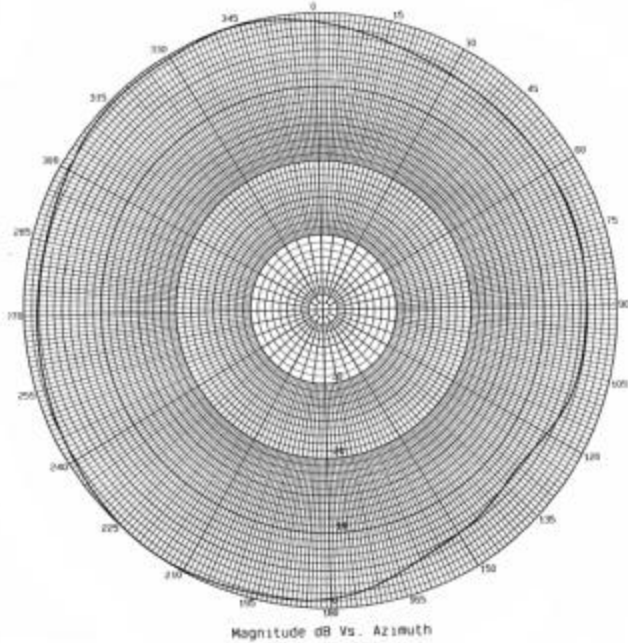
# Part #: AIR-ANT5959 2.4 GHz, 2dBi Integrated Omnidirectional Diversity Antennas

### Specifications:

Frequency Range ..... 2.4 - 2.5 GHz  
VSWR ..... 1.7:1  
Power..... 5 Watts  
Gain ..... 2 dBi  
Polarization ..... Vertical Linear  
Azimuth Plane Beamwidth..... Omni Directional  
Elevation Plane 3dB BW..... 80 Degrees  
Antenna Connector..... Reverse TNC (2X)



**H-Plane**



**E-Plane**

