



***Draft Copy - CISCO CONFIDENTIAL***



## **Cisco Aironet 1200 Series Access Point Hardware Installation Guide**

### **Corporate Headquarters**

Cisco Systems, Inc.  
170 West Tasman Drive  
San Jose, CA 95134-1706  
USA  
<http://www.cisco.com>  
Tel: 408 526-4000  
800 553-NETS (6387)  
Fax: 408 526-4100

Customer Order Number:  
Text Part Number: OL-2155-02



THE SPECIFICATIONS AND INFORMATION REGARDING THE PRODUCTS IN THIS MANUAL ARE SUBJECT TO CHANGE WITHOUT NOTICE. ALL STATEMENTS, INFORMATION, AND RECOMMENDATIONS IN THIS MANUAL ARE BELIEVED TO BE ACCURATE BUT ARE PRESENTED WITHOUT WARRANTY OF ANY KIND, EXPRESS OR IMPLIED. USERS MUST TAKE FULL RESPONSIBILITY FOR THEIR APPLICATION OF ANY PRODUCTS.

THE SOFTWARE LICENSE AND LIMITED WARRANTY FOR THE ACCOMPANYING PRODUCT ARE SET FORTH IN THE INFORMATION PACKET THAT SHIPPED WITH THE PRODUCT AND ARE INCORPORATED HEREIN BY THIS REFERENCE. IF YOU ARE UNABLE TO LOCATE THE SOFTWARE LICENSE OR LIMITED WARRANTY, CONTACT YOUR CISCO REPRESENTATIVE FOR A COPY.

The following information is for FCC compliance of Class A devices: This equipment has been tested and found to comply with the limits for a Class A digital device, pursuant to part 15 of the FCC rules. These limits are designed to provide reasonable protection against harmful interference when the equipment is operated in a commercial environment. This equipment generates, uses, and can radiate radio-frequency energy and, if not installed and used in accordance with the instruction manual, may cause harmful interference to radio communications. Operation of this equipment in a residential area is likely to cause harmful interference, in which case users will be required to correct the interference at their own expense.

The following information is for FCC compliance of Class B devices: The equipment described in this manual generates and may radiate radio-frequency energy. If it is not installed in accordance with Cisco's installation instructions, it may cause interference with radio and television reception. This equipment has been tested and found to comply with the limits for a Class B digital device in accordance with the specifications in part 15 of the FCC rules. These specifications are designed to provide reasonable protection against such interference in a residential installation. However, there is no guarantee that interference will not occur in a particular installation.

Modifying the equipment without Cisco's written authorization may result in the equipment no longer complying with FCC requirements for Class A or Class B digital devices. In that event, your right to use the equipment may be limited by FCC regulations, and you may be required to correct any interference to radio or television communications at your own expense.

You can determine whether your equipment is causing interference by turning it off. If the interference stops, it was probably caused by the Cisco equipment or one of its peripheral devices. If the equipment causes interference to radio or television reception, try to correct the interference by using one or more of the following measures:

- Turn the television or radio antenna until the interference stops.
- Move the equipment to one side or the other of the television or radio.
- Move the equipment farther away from the television or radio.
- Plug the equipment into an outlet that is on a different circuit from the television or radio. (That is, make certain the equipment and the television or radio are on circuits controlled by different circuit breakers or fuses.)

Modifications to this product not authorized by Cisco Systems, Inc. could void the FCC approval and negate your authority to operate the product.

The Cisco implementation of TCP header compression is an adaptation of a program developed by the University of California, Berkeley (UCB) as part of UCB's public domain version of the UNIX operating system. All rights reserved. Copyright © 1981, Regents of the University of California.

NOTWITHSTANDING ANY OTHER WARRANTY HEREIN, ALL DOCUMENT FILES AND SOFTWARE OF THESE SUPPLIERS ARE PROVIDED "AS IS" WITH ALL FAULTS. CISCO AND THE ABOVE-NAMED SUPPLIERS DISCLAIM ALL WARRANTIES, EXPRESSED OR IMPLIED, INCLUDING, WITHOUT LIMITATION, THOSE OF MERCHANTABILITY, FITNESS FOR A PARTICULAR PURPOSE AND NONINFRINGEMENT OR ARISING FROM A COURSE OF DEALING, USAGE, OR TRADE PRACTICE.

IN NO EVENT SHALL CISCO OR ITS SUPPLIERS BE LIABLE FOR ANY INDIRECT, SPECIAL, CONSEQUENTIAL, OR INCIDENTAL DAMAGES, INCLUDING, WITHOUT LIMITATION, LOST PROFITS OR LOSS OR DAMAGE TO DATA ARISING OUT OF THE USE OR INABILITY TO USE THIS MANUAL, EVEN IF CISCO OR ITS SUPPLIERS HAVE BEEN ADVISED OF THE POSSIBILITY OF SUCH DAMAGES.

CCIP, the Cisco *Powered* Network mark, the Cisco Systems Verified logo, Cisco Unity, Follow Me Browsing, FormShare, Internet Quotient, iQ Breakthrough, iQ Expertise, iQ FastTrack, the iQ Logo, iQ Net Readiness Scorecard, Networking Academy, ScriptShare, SMARTnet, TransPath, and Voice LAN are trademarks of Cisco Systems, Inc.; Changing the Way We Work, Live, Play, and Learn, Discover All That's Possible, The Fastest Way to Increase Your Internet Quotient, and iQuick Study are service marks of Cisco Systems, Inc.; and Aironet, ASIST, BPX, Catalyst, CCDA, CCDP, CCIE, CCNA, CCNP, Cisco, the Cisco Certified Internetwork Expert logo, Cisco IOS, the Cisco IOS logo, Cisco Press, Cisco Systems, Cisco Systems Capital, the Cisco Systems logo, Empowering the Internet Generation, Enterprise/Solver, EtherChannel, EtherSwitch, Fast Step, GigaStack, IOS, IP/TV, LightStream, MGX, MICA, the Networkers logo, Network Registrar, *Packet*, PIX, Post-Routing, Pre-Routing, RateMUX, Registrar, SlideCast, StrataView Plus, Stratum, SwitchProbe, TeleRouter, and VCO are registered trademarks of Cisco Systems, Inc. and/or its affiliates in the U.S. and certain other countries.

All other trademarks mentioned in this document or Web site are the property of their respective owners. The use of the word partner does not imply a partnership relationship between Cisco and any other company. (0203R)

<b>Preface</b>	<b>vii</b>
Objectives	vii
Audience	vii
Organization	vii
Conventions	viii
Related Publications	viii
Obtaining Documentation	ix
World Wide Web	ix
Documentation CD-ROM	ix
Ordering Documentation	x
Documentation Feedback	x
Obtaining Technical Assistance	x
Cisco.com	x
Technical Assistance Center	xi
Cisco TAC Web Site	xi
Cisco TAC Escalation Center	xii

---

**CHAPTER 1**

<b>Overview</b>	<b>1-1</b>
Key Features	1-2
Dual Band Radio Support	1-2
2.4-GHz Mini-PCI Radio Card	1-2
5-GHz Radio Module	1-2
Power	1-3
Antenna Connectors	1-4
2.4-GHz Radio	1-4
Ethernet and Console Ports	1-4
Ethernet Port	1-4
Console Port	1-4
Metal Enclosure	1-4
Indicators	1-5
Security Lock Feature	1-6
Network Configuration Examples	1-7
Root Unit on a Wired LAN	1-7
Repeater Unit That Extends Wireless Range	1-8

**Draft Copy - CISCO CONFIDENTIAL**

Central Unit in an All-Wireless Network 1-9  
 Access Point Specifications 1-10

**CHAPTER 2**

**Installation 2-1**  
 Safety Information 2-2  
     FCC Safety Compliance Statement 2-2  
     General Safety Guidelines 2-2  
 Warnings 2-3  
 Installation Guidelines 2-4  
     Basic Guidelines 2-4  
     Installation Above Suspended Ceilings 2-4  
     Coverage Options 2-5  
         Minimal Overlap Coverage Option 2-5  
         Heavy Overlap Coverage Option 2-5  
     Site Surveys 2-6  
 Unpacking the Access Point 2-6  
     Package Contents 2-7  
 Before Beginning the Installation 2-7  
 Installation Summary 2-8  
 Connecting the 2.4-GHz Antennas 2-8  
 Connecting the Ethernet and Power Cables 2-9

**CHAPTER 3**

**Basic Configuration 3-1**  
 Before You Start 3-2  
 Summary of Configuration Steps 3-2  
 Using the IP Setup Utility 3-3  
     Obtaining and Installing IPSU 3-3  
     Finding the Access Point's IP Address 3-3  
     Setting the Access Point's IP Address and SSID 3-4  
 Entering Basic Settings 3-6  
     Using an Internet browser 3-6  
     Using a Terminal Emulator 3-9  
         Selecting Pages and Settings 3-9  
         Applying Changes to the Configuration 3-9  
         Assigning Basic Settings 3-9  
 Default Basic Settings 3-13

**Draft Copy - CISCO CONFIDENTIAL****CHAPTER 4****Mounting Instructions 4-1**

- Overview 4-2
- Mounting on a Horizontal or Vertical Surface 4-3
- Mounting on a Suspended Ceiling 4-4
- Attaching the Access Point to the Mounting Bracket 4-5
- Securing the Access Point to the Mounting Bracket 4-5

**CHAPTER 5****2.4-GHz Radio Upgrade 5-1**

- Contents 5-1
- Overview 5-2
- Unpacking the Radio 5-2
- Opening the Access Cover 5-3
- Removing a Blank Spacer Card 5-4
- Removing a 2.4-GHz Radio 5-5
- Installing a 2.4-GHz Radio 5-6

**CHAPTER 6****5-GHz Radio Module Upgrade 6-1**

- Overview 6-2
- Unpacking the Radio Module 6-2
- Removing the 5-GHz Radio Access Cover 6-2
- Removing a 5-GHz Radio Module 6-3
- Installing a 5-GHz Radio Module 6-5

**CHAPTER 7****Troubleshooting 7-1**

- Checking the Top Panel Indicators 7-2
- Checking Basic Settings 7-3
  - SSID 7-3
  - WEP Keys 7-4
  - Security Settings 7-4
- Resetting to the Default Configuration 7-4

**APPENDIX A****Translated Safety Warnings A-1**

- Dipole Antenna Installation Warning A-2
- Explosive Device Proximity Warning A-3
- Installation and Grounding Warning A-4
- Lightning Activity Warning A-6

***Draft Copy - CISCO CONFIDENTIAL***

Installation Warning **A-7**  
 Circuit Breaker (15A) Warning **A-8**

**APPENDIX B**

**Declarations of Conformity and Regulatory Information **B-1****  
 Manufacturers Federal Communication Commission Declaration of Conformity Statement **B-2**  
 Department of Communications—Canada **B-3**  
     Canadian Compliance Statement **B-3**  
 European Community, Switzerland, Norway, Iceland, and Liechtenstein **B-4**  
     Declaration of Conformity with Regard to the R&TTE Directive 1999/5/EC **B-4**  
 Declaration of Conformity for RF Exposure **B-5**  
 Guidelines for Operating Cisco Aironet Access Points in Japan **B-6**  
     Japanese Translation **B-6**  
     English Translation **B-6**

**APPENDIX C**

**Console Cable Pinouts **C-1****  
 Overview **C-2**  
 Console Port Signals and Pinouts **C-2**

**INDEX**

## Preface

---

This section describes the objectives, audience, organization, and conventions of the *Cisco Aironet 1200 Series Access Point Hardware Installation Guide*.

## Objectives

This publication explains the steps for initial setup and basic configuration of the single or dual-band access point supporting 2.4-GHz and 5-GHz operation. This publication also provides troubleshooting information and detailed specifications.

## Audience

This publication is for the person installing and configuring a Cisco Aironet 1200 Series Access Point for the first time. The installer should be familiar with network structures, terms, and concepts.

## Organization

This guide contains the following sections:

[Chapter 1, “Overview,”](#) describes the features and specifications of access points.

[Chapter 2, “Installation,”](#) provides basic installation instructions.

[Chapter 3, “Basic Configuration,”](#) describes how to enter basic configuration settings.

[Chapter 4, “Mounting Instructions,”](#) provides mounting instructions for the access point.

[Chapter 5, “2.4-GHz Radio Upgrade,”](#) provides instructions for installing, upgrading, and removing the 2.4-GHz mini-PCI radio card.

[Chapter 6, “5-GHz Radio Module Upgrade,”](#) provides instructions for installing and removing the 5-GHz radio module.

[Chapter 7, “Troubleshooting,”](#) provides solutions to potential problems encountered during setup.

[Appendix A, “Translated Safety Warnings,”](#) lists translations of the safety warnings in this publication.

[Appendix B, “Declarations of Conformity and Regulatory Information,”](#) describes the regulatory conventions to which the access point conforms and provides guidelines for operating access points in Japan.

## Draft Copy - CISCO CONFIDENTIAL

Appendix C, “Console Cable Pinouts,” describes the pinouts for the serial RJ-45 to DB-9 console cable that connects to the access point’s serial console port.

## Conventions

This publication uses the following conventions to convey instructions and information:

- Commands and keywords are in **boldface** type.



### Note

Means *reader take note*. Notes contain helpful suggestions or references to materials not contained in this manual.



### Caution

Means *reader be careful*. In this situation, you might do something that could result in equipment damage or loss of data.



### Warning

**The warning symbol means danger.** You are in a situation that could cause bodily injury. Before you work on any equipment, be aware of the hazards involved with electrical circuitry and be familiar with standard practices for preventing accidents. To see translations of the warnings that appear in this publication, refer to Appendix A in this manual.

## Related Publications

For more information about access points and related products, refer to the following publications:

- *Quick Start Guide: Cisco Aironet 1200 Series Access Point* describes how to attach antennas and cables, mount the access point, and how to obtain access point documentation. This document is included in the shipping box with your access point.
- *Cisco Aironet 1200 Series Access Point Software Configuration Guide* describes the access point’s management system and explains how to configure the access point. This document is available on the Cisco CCO web site at the following URL:

<http://www.cisco.com/univercd/cc/td/doc/product/wireless/airo1200/accsspts/index.htm>

- *Release Notes for Cisco Aironet 1200 Series Access Point* describes features and caveats for access points running firmware release XX.xx. This document is available on the Cisco CCO web site at the following URL:

<http://www.cisco.com/univercd/cc/td/doc/product/wireless/airo1200/accsspts/index.htm>

- Cisco Secure Access Control Server for Windows 2000/NT Servers Version 3.0 User Guide provides complete instructions for using Cisco Secure ACS, including steps for configuring Cisco Secure ACS to support access points. This document is available on the Cisco CCO web site at the following URL:

[http://www.cisco.com/univercd/cc/td/doc/product/access/acs\\_soft/csacs4nt/csnt30/user/index.htm](http://www.cisco.com/univercd/cc/td/doc/product/access/acs_soft/csacs4nt/csnt30/user/index.htm)



## **Draft Copy - CISCO CONFIDENTIAL**

- *Cisco Aironet Wireless LAN Client Adapters Installation and Configuration Guide for Windows* provides hardware features, physical and performance characteristics, installation instructions for PC card and PCI card client adapters, and instructions for installing and using the wireless client adapter utilities running the Windows operating system. This document is available on the Cisco CCO web site at the following URL:

<http://www.cisco.com/univercd/cc/td/doc/product/wireless/index.htm>

- *Cisco Aironet Wireless LAN Client Adapters Installation and Configuration Guide for Mac OS* provides hardware features, physical and performance characteristics, installation instructions for PC card and PCI card client adapters, and instructions for installing and using the wireless client adapter utilities running the Apple Mac OS X (version 10.1 or later) or Mac OS 9.x operating system. This document is available on the Cisco CCO web site at the following URL:

<http://www.cisco.com/univercd/cc/td/doc/product/wireless/index.htm>

- *Cisco Aironet Wireless LAN Adapters Installation and Configuration Guide for Linux* provides hardware features, physical and performance characteristics, installation instructions for PC card and PCI card client adapters, and instructions for installing and using the wireless client adapter utilities running the Linux operating system. This document is available on the Cisco CCO web site at the following URL:

<http://www.cisco.com/univercd/cc/td/doc/product/wireless/index.htm>

## Obtaining Documentation

The following sections explain how to obtain documentation from Cisco Systems.

### World Wide Web

You can access the most current Cisco documentation on the World Wide Web at the following URL:

<http://www.cisco.com>

Translated documentation is available at the following URL:

[http://www.cisco.com/public/countries\\_languages.shtml](http://www.cisco.com/public/countries_languages.shtml)

### Documentation CD-ROM

Cisco documentation and additional literature are available in a Cisco Documentation CD-ROM package shipped separately from your product. The Documentation CD-ROM is updated monthly and may be more current than printed documentation. The CD-ROM package is available as a single unit or through an annual subscription.

## *Draft Copy - CISCO CONFIDENTIAL*

### Ordering Documentation

Cisco documentation is available in the following ways:

- Registered Cisco.com users (Cisco direct customers) can order Cisco product documentation from the Networking Products MarketPlace:

[http://www.cisco.com/cgi-bin/order/order\\_root.pl](http://www.cisco.com/cgi-bin/order/order_root.pl)

- Registered Cisco.com users can order the Documentation CD-ROM through the online Subscription Store:

<http://www.cisco.com/go/subscription>

- Nonregistered Cisco.com users can order documentation through a local account representative by calling Cisco corporate headquarters (California, USA) at 408 526-7208 or, elsewhere in North America, by calling 800 553-NETS (6387).

### Documentation Feedback

If you are reading Cisco product documentation on Cisco.com, you can submit technical comments electronically. Click the **Fax** or **Email** option under the “Leave Feedback” at the bottom of the Cisco Documentation home page.

You can e-mail your comments to [bug-doc@cisco.com](mailto:bug-doc@cisco.com).

To submit your comments by mail, use the response card behind the front cover of your document, or write to the following address:

Cisco Systems  
Attn: Document Resource Connection  
170 West Tasman Drive  
San Jose, CA 95134-9883

We appreciate your comments.

### Obtaining Technical Assistance

Cisco provides Cisco.com as a starting point for all technical assistance. Customers and partners can obtain documentation, troubleshooting tips, and sample configurations from online tools by using the Cisco Technical Assistance Center (TAC) Web Site. Cisco.com registered users have complete access to the technical support resources on the Cisco TAC Web Site.

### Cisco.com

Cisco.com is the foundation of a suite of interactive, networked services that provides immediate, open access to Cisco information, networking solutions, services, programs, and resources at any time, from anywhere in the world.

Cisco.com is a highly integrated Internet application and a powerful, easy-to-use tool that provides a broad range of features and services to help you to

- Streamline business processes and improve productivity
- Resolve technical issues with online support

## ***Draft Copy - CISCO CONFIDENTIAL***

- Download and test software packages
- Order Cisco learning materials and merchandise
- Register for online skill assessment, training, and certification programs

You can self-register on Cisco.com to obtain customized information and service. To access Cisco.com, go to the following URL:

<http://www.cisco.com>

## **Technical Assistance Center**

The Cisco TAC is available to all customers who need technical assistance with a Cisco product, technology, or solution. Two types of support are available through the Cisco TAC: the Cisco TAC Web Site and the Cisco TAC Escalation Center.

Inquiries to Cisco TAC are categorized according to the urgency of the issue:

- Priority level 4 (P4)—You need information or assistance concerning Cisco product capabilities, product installation, or basic product configuration.
- Priority level 3 (P3)—Your network performance is degraded. Network functionality is noticeably impaired, but most business operations continue.
- Priority level 2 (P2)—Your production network is severely degraded, affecting significant aspects of business operations. No workaround is available.
- Priority level 1 (P1)—Your production network is down, and a critical impact to business operations will occur if service is not restored quickly. No workaround is available.

Which Cisco TAC resource you choose is based on the priority of the problem and the conditions of service contracts, when applicable.

## **Cisco TAC Web Site**

The Cisco TAC Web Site allows you to resolve P3 and P4 issues yourself, saving both cost and time. The site provides around-the-clock access to online tools, knowledge bases, and software. To access the Cisco TAC Web Site, go to the following URL:

<http://www.cisco.com/tac>

All customers, partners, and resellers who have a valid Cisco services contract have complete access to the technical support resources on the Cisco TAC Web Site. The Cisco TAC Web Site requires a Cisco.com login ID and password. If you have a valid service contract but do not have a login ID or password, go to the following URL to register:

<http://www.cisco.com/register/>

If you cannot resolve your technical issues by using the Cisco TAC Web Site, and you are a Cisco.com registered, you can open a case online by using the TAC Case Open tool at the following URL:

<http://www.cisco.com/tac/caseopen>

If you have Internet access, it is recommended that you open P3 and P4 cases through the Cisco TAC Web Site.

***Draft Copy - CISCO CONFIDENTIAL*****Cisco TAC Escalation Center**

The Cisco TAC Escalation Center addresses issues that are classified as priority level 1 or priority level 2; these classifications are assigned when severe network degradation significantly impacts business operations. When you contact the TAC Escalation Center with a P1 or P2 problem, a Cisco TAC engineer will automatically open a case.

To obtain a directory of toll-free Cisco TAC telephone numbers for your country, go to the following URL:

<http://www.cisco.com/warp/public/687/Directory/DirTAC.shtml>

Before calling, please check with your network operations center to determine the level of Cisco support services to which your company is entitled; for example, SMARTnet, SMARTnet Onsite, or Network Supported Accounts (NSA). In addition, please have available your service agreement number and your product serial number.



## Overview

---

The Cisco Aironet 1200 Series Access Point (hereafter called the *access point*) delivers a cost-effective, reliable, secure, and easily managed wireless LAN solution for enterprise customers and for small and medium sized businesses. The access point is designed to incorporate new technology enhancements as they become available.

The access point can contain one or two wireless LAN transceivers (radios). Each transceiver serves as the center point of a stand-alone wireless network or as the connection point between wireless and wired networks. In large installations, wireless users within radio range of an access point can roam throughout a facility while maintaining uninterrupted access to the network.

The access point can support simultaneous dual band (2.4-GHz and 5-GHz) radio operation or single band operation (2.4-GHz only or 5-GHz only). Single band radio units can be field upgraded for dual band radio operation through the addition of a 5-GHz radio module or a 2.4-GHz radio card.



**Note**

---

The access point is IEEE 802.11b compliant when configured with the 2.4-GHz radio and is IEEE 802.11a compliant when configured with the 5-GHz radio module.

---

This chapter provides information on the following topics:

- [Key Features, page 1-2](#)
- [Key Features, page 1-2](#)
- [Network Configuration Examples, page 1-7](#)
- [Access Point Specifications, page 1-10](#)

**Draft Copy - CISCO CONFIDENTIAL**

## Key Features

Key features of the access point:

- Single or dual band radio operation
  - Single band—2.4-GHz radio or 5-GHz radio operation
  - Dual band—simultaneous 2.4-GHz radio and 5-GHz radio operation
  - Field upgrade to support dual band radio operation
- Power sources
  - Inline power over Ethernet
  - External power module
- Metal enclosure supports installation within environmental air spaces (enclosure complies with UL 2043 test requirements)
- Industrial temperature rating
- Dual antennas connectors for single or diversity antenna operation
- Backbone LAN
  - 10/100 BASE-T Ethernet port
- Access point control using the console port or an Internet browser
- Three status indicators
- Security lock feature
  - Security cable keyhole to secure the access point using a security cable
  - Security hasp to secure the access point to the mounting bracket using a lock

## Dual Band Radio Support

The access point can be initially configured from the factory for single or dual band radio operation. However, an access point configured for single band radio operation can be field upgraded to support dual band radio operation using the 5-GHz radio module or the 2.4-GHz mini-PCI radio card.

### 2.4-GHz Mini-PCI Radio Card

The 2.4-GHz mini-PCI radio card connects to an internal access point mini-PCI slot. The radio card contains a wireless LAN transceiver that operates in the 2.4-GHz frequency range to provide the access point with single or dual band radio capability.

### 5-GHz Radio Module

The 5-GHz radio module connects to the access point's card bus connector. The module incorporates an Unlicensed National Information Infrastructure (UNII) radio transceiver operating in two of the UNII 5-GHz frequency bands and supporting up to 8 channels:

- UNII 1—Frequency range is 5.15 to 5.25 GHz
- UNII 2—Frequency range is 5.25 to 5.35 GHz

## Draft Copy - CISCO CONFIDENTIAL

The module contains dual integrated omnidirectional antennas and directional patch antennas for diversity operation.

## Power

The access point can receive power through an external power module or through inline power using the Ethernet cable. Using inline power, you do not need to run a separate power cord to the access point. Plug the Ethernet cable into the Ethernet port on the back of the access point and plug the other end into one of the inline power sources. The access point supports the following power sources:

- Inline power
  - A 1200 series power injector
  - A switch with inline power, such as the Cisco Catalyst 3524-PWR-XL switch
  - An inline power patch panel, such as the Cisco Catalyst Inline Power Patch Panel
- A 1200 series power module (Universal power supply)

**Caution**

The 1200 series power injectors are designed for use with Cisco Aironet 1200 Series Access Points only. Using the power injector with other Ethernet-ready devices can damage the equipment.

**Caution**

The 1200 series power injectors are not tested to UL 2043 and should not be placed in a building's environmental air space, such as above suspended ceilings.

**Note**

If you need to use a power module or power injector to power the access point, you must use the 1200 series power module or power injector. The 350 series power module and power injector are not compatible with the 1200 series access point.

**Note**

Only the 1200 series power injector and the power module can support simultaneous operation of both the 2.4-GHz radio and the 5.0 GHz radio.

**Note**

When using in-line power from a switch or patch panel do not connect the 1200 series power module to the access point. Using two power sources on the access point might cause the switch or patch panel to shut down the port to which the access point is connected.

**Note**

Both the Ethernet and console ports use RJ-45 connectors. Be careful not to accidentally connect the Ethernet cable to the console port connector.

## Draft Copy - CISCO CONFIDENTIAL

# Antenna Connectors

The access point supports two antenna connectors on the back of the unit for the 2.4-GHz radio. The 5-GHz radio supports only integrated antennas.

## 2.4-GHz Radio

The access point provides two reverse-polarity TNC (R-TNC) connectors that you can use to connect a single antenna or dual diversity antennas to provide coverage for your wireless LAN area. Diversity coverage helps maintain a clear radio signal between the access point and wireless client devices. Just as you can improve signal clarity on your car radio at a stoplight by creeping ahead a few inches, the access point can improve signal quality by choosing the antenna that is receiving the best signal from a client device.

# Ethernet and Console Ports

## Ethernet Port

The Ethernet port accepts an RJ-45 connector, linking the access point to your 10/100 BASE-T Ethernet LAN. The access point can receive power through the Ethernet cable from a switch with inline power, from a power patch panel, or from the access point's 1200 series power injector.

## Console Port

The console port provides access to the access point's management system using a terminal emulator program. Use an RJ-45 to DB-9 serial cable (refer to [Appendix C, "Console Cable Pinouts"](#)) to connect your computer's COM port to the access point's serial console port. Assign the following port settings to a terminal emulator to open the management system pages: 9600 baud, 8 data bits, No parity, 1 stop bit and no flow control.

# Metal Enclosure

The access point uses a metal enclosure having adequate fire resistance and low smoke-producing characteristics suitable for operation in a building's environmental air space in accordance with Section 300-22(c) of the NEC, such as above suspended ceilings. The access point also supports an industrial temperature operating range (refer to [Access Point Specifications, page 1-10](#)).

**Note**

If you plan to mount the access point in environmental air space using a 5-GHz radio, Cisco recommends that you mount the access point horizontally with its antennas pointing down. Doing so will result in the access point complying with regulatory requirements for environmental air space with the 5-GHz radio installed.

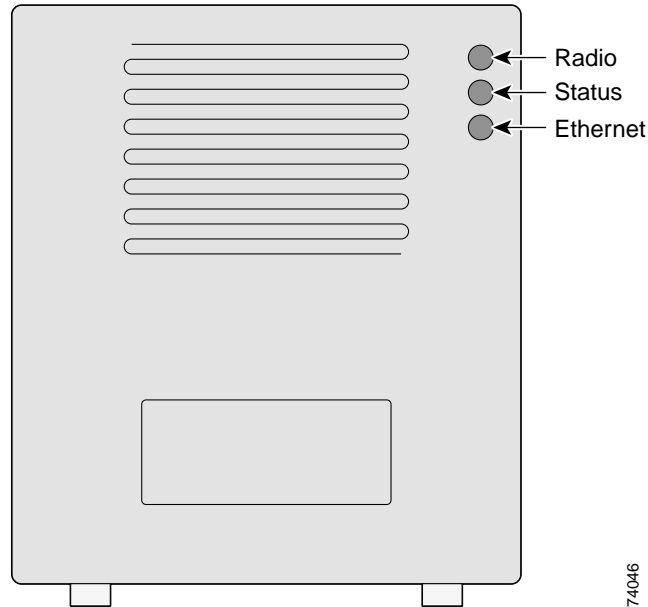


## Draft Copy - CISCO CONFIDENTIAL

### Indicators

The three indicators on top of the access point report Ethernet activity, association status, and radio activity as shown in Figure 1-1.

**Figure 1-1** Indicators on the 1200 Series Access Point



- The Ethernet indicator signals Ethernet traffic on the wired LAN. This indicator blinks green when a packet is received or transmitted over the Ethernet infrastructure. The indicator blinks red when the Ethernet cable is not connected.
- The association status indicator signals operational status. Blinking green indicates that the access point is operating normally but is not associated with any wireless client devices. Steady green indicates that the access point is associated with at least one wireless client device.
- The radio indicator blinks green to indicate radio traffic activity. The light is normally off, but it blinks green whenever a packet is received or transmitted over the access point radio.



**Note**

The Radio and Status indicators are used for both 2.4-GHz and 5-GHz radio operation.

**Draft Copy - CISCO CONFIDENTIAL**

# Security Lock Feature

The access point provides two methods of securing the access point to help prevent theft (see Figure 1-2):

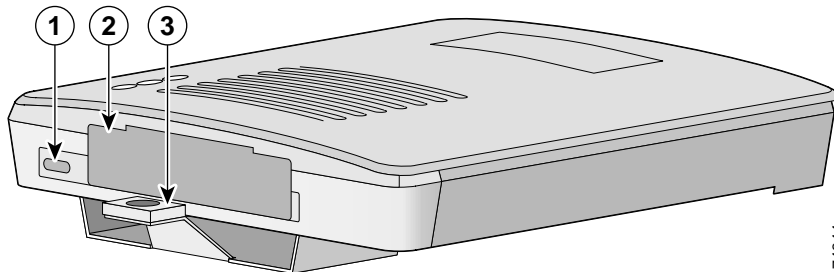
- Security hasp
- Security cable keyhole

The security hasp on the mounting bracket allows you to lock the access point to the bracket to make it more secure. When the access point is properly installed on the mounting bracket, the holes in the security hasps line up so you can install a padlock. Compatible padlocks are Master Lock models 120T or 121T.

When using the security hasp with a lock, the access point is secured to the mounting bracket and the mounting bracket screws along with the 2.4-GHz radio access cover are not accessible.

The security cable keyhole allows you to secure the access point using a standard security cable, such as the security cables used on laptop computers.

**Figure 1-2 Access Point Security Points**



<b>1</b>	Security cable keyhole	<b>2</b>	5-GHz module slot access cover
<b>3</b>	Security hasp for padlock		

*Draft Copy - CISCO CONFIDENTIAL*

## Network Configuration Examples

This section describes the access point's role in three common wireless network configurations. The access point's default configuration is as a root unit on a wired LAN. The other two possible roles, repeater unit and central unit in an all-wireless network, require specific changes to the default configuration.



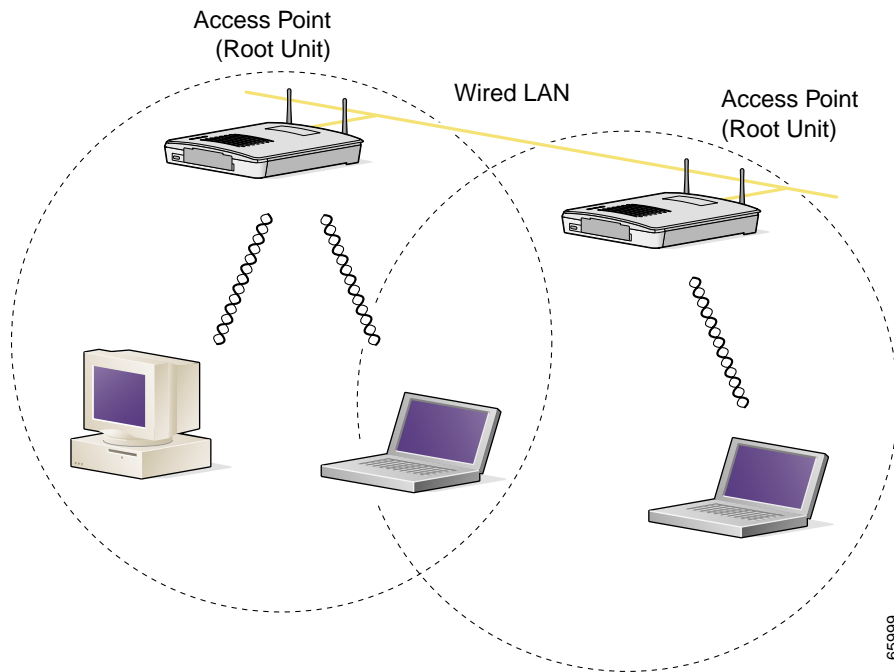
**Note**

The following network configuration examples apply to both 2.4-GHz and 5-GHz wireless LANs.

### Root Unit on a Wired LAN

An access point connected directly to a wired LAN provides a connection point for wireless users. If more than one access point is connected to the LAN, users can roam from one area of a facility to another without losing their connection to the network. As users move out of range of one access point, they automatically connect to the network (associate) through another access point. The roaming process is seamless and transparent to the user. [Figure 1-3](#) shows access points acting as root units on a wired LAN.

**Figure 1-3** Access Points as Root Units on a Wired LAN

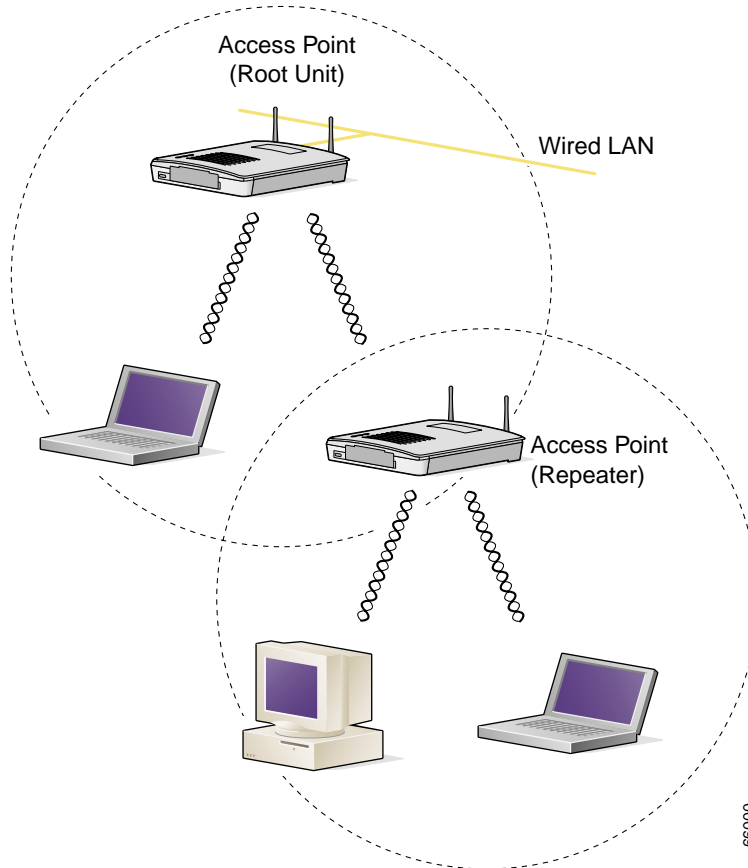


**Draft Copy - CISCO CONFIDENTIAL**

# Repeater Unit That Extends Wireless Range

An access point can be configured as a stand-alone repeater to extend the range of your infrastructure or to overcome an obstacle that blocks radio communication. The repeater forwards traffic between wireless users and the wired LAN by sending packets to either another repeater or to an access point connected to the wired LAN. The data is sent through the route that provides the greatest performance for the client. [Figure 1-4](#) shows an access point acting as a repeater.

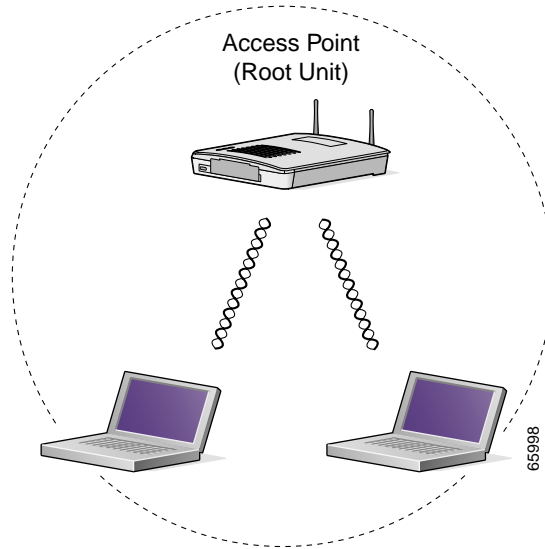
**Figure 1-4 Access Point as Repeater**



**Draft Copy - CISCO CONFIDENTIAL****Central Unit in an All-Wireless Network**

In an all-wireless network, an access point acts as a stand-alone root unit. The access point is not attached to a wired LAN; it functions as a hub linking all stations together. The access point serves as the focal point for communications, increasing the communication range of wireless users. [Figure 1-5](#) shows an access point in an all-wireless network.

**Figure 1-5 Access Point as Central Unit in All-Wireless Network**




**Draft Copy - CISCO CONFIDENTIAL**

# Access Point Specifications

The access point specifications are listed in [Table 1-1](#).**Table 1-1 Access Point Specifications**

Category	Access Point with 2.4-GHz Radio	Access Point with 5-GHz Radio Module
Size	6.56 in. W x 7.23 in. D x 1.66 in. H 16.67 cm W x 18.36 cm D x 4.22 cm H	With the 5-GHz antenna in the patch position: 6.56 in. W x 8.04 in. D x 2.21 in. H 16.67 cm W x 20.42 cm D x 5.61
Status indicators	Three indicators on the top panel: Ethernet traffic, status, and radio traffic	Three indicators on the top panel: Ethernet traffic, status, and radio traffic
Connectors	Back panel (left to right): reverse-TNC antenna connector; power connector (for plug-in AC power module); RJ-45 connector for 10/100 BASE-T Ethernet connections; upside down RJ-45 connector for serial connections; reverse-TNC antenna connector.  Front Panel: Card Bus connector used for the 5-GHz radio module.	
Input Voltage	48VDC nominal. Operational up to 60VDC. Voltage higher than 60VDC can damage the unit.	48VDC nominal. Operational up to 60VDC. Voltage higher than 60VDC can damage the unit.
Input Current	With 2.4 GHz radio: 125 mA (typical) 380 mA (maximum)	With 5-GHz radio: 225 mA (typical)  With 2.4-GHz and 5-GHz radios <b>TBD</b> mA (typical) 380 mA (maximum)
Operating temperature	Access point: –4 to 131°F (–20 to 55°C)  1200 series power injector: 32 to 104°F (0 to 40°C)	Access point: <b>TBD °F (TBD°C)</b>  1200 series power injector: 32 to 104°F (0 to 40°C)
Storage temperature	–40 to 185°F (–40 to 85°C)	–40 to 185°F (–40 to 85°C)
Weight	Without mounting bracket: 1.6 lbs (0.73 kg) with 2.4-GHz radio module	Without mounting bracket: 1.87 lbs (0.85 kg) with 5-GHz radio module 1.97 lbs (0.89 kg) with 5-GHz radio module and 2.4-GHz radio
Power output	100, 50, 30, 20, 5, or 1 mW (Depending on the regulatory domain in which the access point is installed)	40 mW (16 dBm) 20 mW (13 dBm) 10 mW (10 dBm) 5 mW (7 dBm)  <b>Note</b> These values are based on the FCC peak measurement method as defined in FCC 15.407 (A)(4)
Frequency	2.400 to 2.497 GHz (Depending on the regulatory domain in which the access point is installed)	UNII 1—5.15 to 5.25 GHz UNII 2—5.25 to 5.35 GHz (Depending on the regulatory domain in which the access point is installed)

**Draft Copy - CISCO CONFIDENTIAL****Table 1-1 Access Point Specifications (continued)**

Category	Access Point with 2.4-GHz Radio	Access Point with 5-GHz Radio Module
Range	Indoor: 150 ft at 11 Mbps 350 ft at 1 Mbps  Outdoor: 800 ft at 11 Mbps 2000 ft at 1 Mbps	Indoor: <b>TBD</b> ft at 6 Mbps <b>TBD</b> ft at 54 Mbps  Outdoor: <b>TBD</b> ft at 6 Mbps <b>TBD</b> ft at 54 Mbps
Modulation	Direct Sequence Spread Spectrum (DSSS)	Orthogonal Frequency Division Multiplex (OFDM)
Data rates	1, 2, 5.5, and 11 Mbps	6, 9, 12, 18, 24, 36, 48, and 54 Mbps
Antenna	A diversity system with two reverse-TNC connectors (Cisco antennas are sold separately).	A diversity system consisting of two integrated omnidirectional and two integrated directional antennas.
Compliance	<p>The 1200 series access point complies with UL 2043 for products installed in a building's environmental air handling spaces, such as above suspended ceilings.</p> <p> <b>Caution</b> The 1200 series power injectors are not tested to UL 2043 and should not be placed in a building's environmental air space, such as above suspended ceilings.</p> <p><b>Note</b> If you plan to mount the access point in environmental air space using a 5-GHz radio, Cisco recommends that you mount the access point horizontally with its antennas pointing down. Doing so will result in the access point complying with regulatory requirements for environmental air space with the 5-GHz radio installed.</p>	
Safety	Designed to meet: <ul style="list-style-type: none"> <li>• UL 1950 Third Edition</li> <li>• CSA 22.2 No. 950-95</li> <li>• IEC 60950 Second Edition, including Amendments 1-4 with all deviations</li> <li>• EN 60950 Second Edition, including Amendments 1-4</li> </ul>	Designed to meet: <ul style="list-style-type: none"> <li>• UL 1950 Third Edition</li> <li>• CSA 22.2 No. 950-95</li> <li>• IEC 60950 Second Edition, including Amendments 1-4 with all deviations</li> <li>• EN 60950 Second Edition, including Amendments 1-4</li> </ul>
Radio approvals	FCC Part 15.247 Canada RSS-139-1, RSS-210 Japan Telec 33B EN 300.328	FCC Part 15.407 Canada RSS-210 Japan ARIB STD-T71 EN 301.893
EMI and susceptibility	FCC Part 15.107 and 15.109 Class B ICES-003 Class B (Canada) EN 55022 B AS/NZS 3548 Class B VCCI Class B EN 55024 EN 301.489-1 EN 301.489-17	FCC Part 15.107 and 15.109 Class B ICES-003 Class B (Canada) EN 55022 B AS/NZS 3548 Class B VCCI Class B EN 55024 EN 301.489-1 EN 301.489-17
RF exposure	OET-65C RSS-102 ANSI C95.1	OET-65C RSS-102 ANSI C95.1

***Draft Copy - CISCO CONFIDENTIAL***





## Installation

---

This chapter describes the setup of the access point and includes the following sections:

- [Safety Information, page 2-2](#)
- [Warnings, page 2-3](#)
- [Installation Guidelines, page 2-4](#)
- [Unpacking the Access Point, page 2-6](#)
- [Before Beginning the Installation, page 2-7](#)
- [Installation Summary, page 2-8](#)
- [Connecting the 2.4-GHz Antennas, page 2-8](#)
- [Connecting the Ethernet and Power Cables, page 2-9](#)

***Draft Copy - CISCO CONFIDENTIAL***

# Safety Information

Follow the guidelines in this section to ensure proper operation and safe use of the access point.

## FCC Safety Compliance Statement

The FCC, with its action in ET Docket 96-8, has adopted a safety standard for human exposure to RF electromagnetic energy emitted by FCC-certified equipment. When used with approved Cisco Aironet antennas, Cisco Aironet products meet the uncontrolled environmental limits found in OET-65 and ANSI C95.1, 1991. Proper operation of this radio device according to the instructions in this publication will result in user exposure substantially below the FCC recommended limits.

## General Safety Guidelines

- Do not touch or move the antenna while the unit is transmitting or receiving.
- Do not hold any component containing a radio such that the antenna is very close to or touching any exposed parts of the body, especially the face or eyes, while transmitting.
- Do not operate the radio or attempt to transmit data unless the antenna is connected; otherwise, the radio may be damaged.
- Use in specific environments:
  - The use of wireless devices in hazardous locations is limited to the constraints posed by the local codes, the national codes and the safety directors of such environments.
  - The use of wireless devices on airplanes is governed by the Federal Aviation Administration (FAA).
  - The use of wireless devices in hospitals is restricted to the limits set forth by each hospital.
- Antenna use:
  - High-gain wall-mount or mast-mount antennas are designed to be professionally installed. Please contact your professional installer, VAR, or antenna manufacturer for proper installation requirements.

**Draft Copy - CISCO CONFIDENTIAL**

# Warnings

Translated versions of the following safety warnings are provided in Appendix A, “Translated Safety Warnings.”

  
Warning

---

**In order to comply with FCC radio frequency (RF) exposure limits, dipole antennas should be located at a minimum of 7.9 inches (20 cm) or more from the body of all persons.**

---

  
Warning

---

**Do not operate your wireless network device near unshielded blasting caps or in an explosive environment unless the device has been modified to be especially qualified for such use.**

---

  
Warning

---

**Do not locate the antenna near overhead power lines or other electric light or power circuits, or where it can come into contact with such circuits. When installing the antenna, take extreme care not to come into contact with such circuits, as they may cause serious injury or death. For proper installation and grounding of the antenna, please refer to national and local codes (e.g. U.S.:NFPA 70, National Electrical Code, Article 810, in Canada: Canadian Electrical Code, Section 54).**

---

  
Warning

---

**Do not work on the system or connect or disconnect cables during periods of lightning activity.**

---

  
Warning

---

**Read the installation instructions before you connect the system to its power source.**

---

  
Warning

---

**This product relies on the building's installation for short-circuit (overcurrent) protection. Ensure that a fuse or circuit breaker no larger than 120 VAC, 15A U.S. (240 VAC, 10A international) is used on the phase conductors (all current-carrying conductors).**

---

## Draft Copy - CISCO CONFIDENTIAL

# Installation Guidelines

This section describes things to keep in mind when installing your access point. Sections include:

- Basic Guidelines
- Installation Above Suspended Ceilings
- Coverage Options
- Site Surveys

## Basic Guidelines

Because the access point is a radio device, it is susceptible to common causes of interference that can reduce throughput and range. Follow these basic guidelines to ensure the best possible performance:

- Install the access point in an area where large steel structures such as shelving units, bookcases, and filing cabinets do not obstruct radio signals to and from the access point.
- Install the access point away from microwave ovens. Microwave ovens operate on the same frequency as the access point and can cause signal interference.

## Installation Above Suspended Ceilings

The access point uses a metal enclosure having adequate fire resistance and low smoke-producing characteristics suitable for operation in a building's environmental air space in accordance with Section 300-22(c) of the NEC, such as above suspended ceilings. For mounting instructions refer to [Chapter 4, "Mounting Instructions."](#)

**Caution**

---

The 1200 series power injectors are not tested to UL 2043 and should not be placed in a building's environmental air space, such as above suspended ceilings.

---

**Note**

---

If you plan to mount the access point in environmental air space using a 5-GHz radio, Cisco recommends that you mount the access point horizontally with its antennas pointing down. Doing so will result in the access point complying with regulatory requirements for environmental air space with the 5-GHz radio installed.

---

**Draft Copy - CISCO CONFIDENTIAL****Coverage Options**

The network architecture options of wireless stations and access points provide for a variety of coverage alternatives and flexibility. The network can be designed to provide a wide coverage area with minimal overlap or a narrow coverage area with heavy overlap. A narrow coverage area with heavy overlap improves network performance and protection against downtime if a component fails.

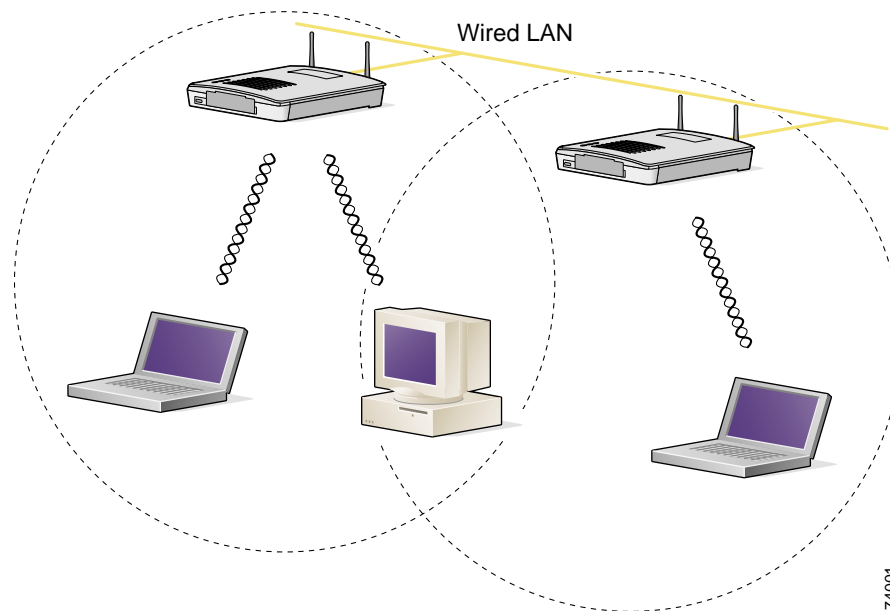
**Note**

The following coverage options apply to both 2.4-GHz and 5-GHz wireless LANs.

**Minimal Overlap Coverage Option**

By arranging the access points so that the overlap in a coverage area is minimized, a large area can be covered with minimal cost (see [Figure 2-1](#)). The total bandwidth available to each wireless client device depends on the amount of data each mobile station needs to transfer and the number of stations located in each cell. Seamless roaming is supported as a client device moves in and out of range of each access point, thereby maintaining a constant connection to the wired LAN. Each device in the radio network must be configured with the same SSID to provide roaming capability.

**Figure 2-1 Minimal Overlap Coverage Option**

**Heavy Overlap Coverage Option**

By arranging the access points so the overlap in coverage area is nearly maximized, a large number of mobile stations can be supported in the same wireless infrastructure. However, devices in overlapping coverage areas on the same frequency will detect adjacent cell traffic and delay transmissions that would cause collisions. This configuration reduces the aggregate radio system throughput. Heavy cell overlap is not recommended for maximum system throughput.

## Draft Copy - CISCO CONFIDENTIAL

Because of the redundancy in coverage overlap, network access is not lost if an access point fails. Upon failure of the access point, the station automatically roams to an operational access point. With this architecture, each device in the RF network must be configured with the same SSID to provide the roaming capability.

## Site Surveys

Because of differences in component configuration, placement, and physical environment, every network application is a unique installation. Before installing multiple access points, you should perform a site survey to determine the optimum utilization of networking components and to maximize range, coverage, and network performance.

When supporting dual mode 2.4-GHz and 5-GHz operation, you may have to perform a site survey for each of the operating frequencies

Consider the following operating and environmental conditions when performing a site survey:

- Frequency—The radio coverage area for the 5-GHz radio is less than the coverage area for the 2.4-GHz radio.
- Single and dual band operation—When supporting both single and dual band access points, you should perform a site survey for each of the operating frequencies.
- Data rates—Sensitivity and range are inversely proportional to data bit rates. The maximum radio range is achieved at the lowest workable data rate. A decrease in receiver threshold sensitivity occurs as the radio data increases.
- Antenna type and placement—Proper antenna configuration is a critical factor in maximizing radio range. As a general rule, range increases in proportion to antenna height.
- Physical environment—Clear or open areas provide better radio range than closed or filled areas. Also, the less cluttered the work environment, the greater the range.
- Obstructions—A physical obstruction such as metal shelving or a steel pillar can hinder performance of wireless devices. Avoid locating the devices in a location where there is a metal barrier between the sending and receiving antennas.
- Building materials—Radio penetration is greatly influenced by the building material used in construction. For example, drywall construction allows greater range than concrete blocks. Metal or steel construction is a barrier to radio signals.

## Unpacking the Access Point

Follow these steps to unpack the access point:

- 
- Step 1** Open the shipping container and carefully remove the contents.
  - Step 2** Return all packing materials to the shipping container and save it.
  - Step 3** Ensure that all items listed in the “Package Contents” section are included in the shipment. Check each item for damage. If any item is damaged or missing, notify your authorized Cisco sales representative.
-

**Draft Copy - CISCO CONFIDENTIAL****Package Contents**

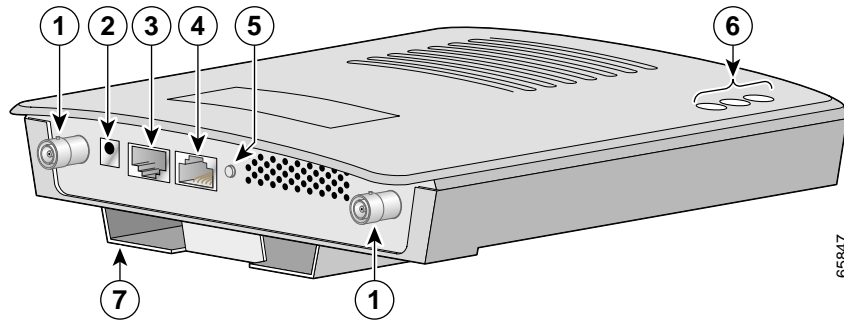
Each access point package contains the following items:

- Cisco Aironet 1200 Series Access Point
- Cisco Aironet 1200 Series Power Module (Universal power supply)
- *Quick Start Guide: Cisco Aironet 1200 Series Access Point*
- Cisco product registration and Cisco documentation feedback cards

**Before Beginning the Installation**

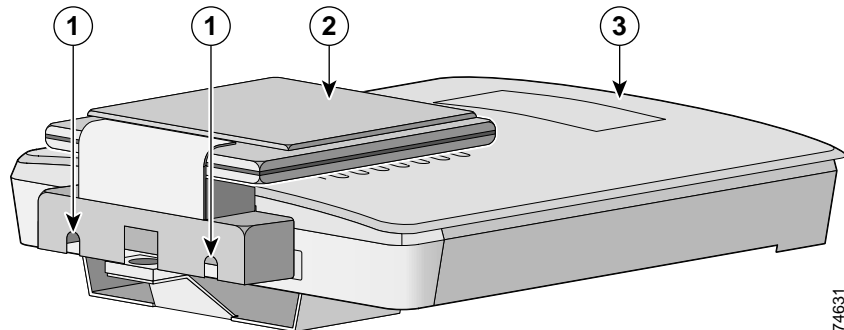
Before you begin the installation process, please refer to [Figure 2-2](#) and [Figure 2-3](#) to familiarize yourself with the access point's layout, connectors, and 5-GHz module location.

**Figure 2-2 Access Point Layout and Connectors**



1	2.4-GHz antenna connectors	5	Mode button (possible future feature)
2	48VDC power port	6	Status LEDs
3	Ethernet port (RJ-45)	7	Mounting bracket
4	Console port (RJ-45)		

**Figure 2-3 5-GHz Radio Module**



1	5-GHz radio module mounting screws	2	5-GHz radio module antenna (patch position)
3	Access point		

**Draft Copy - CISCO CONFIDENTIAL**

# Installation Summary

During the installation of the access point, you will need to perform the following operations:

- Connect a single antenna or dual diversity antennas (refer to the [“Connecting the 2.4-GHz Antennas”](#) section on page 2-8).
- Connect Ethernet and power cables (refer to the [“Connecting the Ethernet and Power Cables”](#) section on page 2-9).
- Configure basic settings (refer to [Chapter 3, “Basic Configuration”](#)).
- Mount the access point to a ceiling or wall. For additional information, refer to [Chapter 4, “Mounting Instructions.”](#)
- Configure security and other access point options. For additional information, refer to the *Cisco Aironet 1200 Series Access Point Software Configuration Guide*.

## Connecting the 2.4-GHz Antennas

The access point supports a single antenna or dual diversity antennas. Two R-TNC antenna connectors are provided on the back of the unit for the 2.4-GHz radio.

If you are using a Cisco Aironet 2 dBi antenna, follow the steps below:

- 
- Step 1** Attach an antenna to the **Right/Primary** 2.4-GHz (R-TNC) antenna connector on the back of the access point and tighten hand tight. If you are using two antennas for diversity coverage, attach the second antenna to the **Left** 2.4-GHz (R-TNC) antenna connector.
- Step 2** Orient the antenna depending on how you intend to mount the access point.
- On a table or desk, orient the antenna straight up.
  - On a vertical surface, such as a wall, orient the antenna straight up.
  - On a ceiling, orient the antenna straight down.
- 

If you are using another Cisco Aironet antenna, refer to the instructions that came with your antenna.

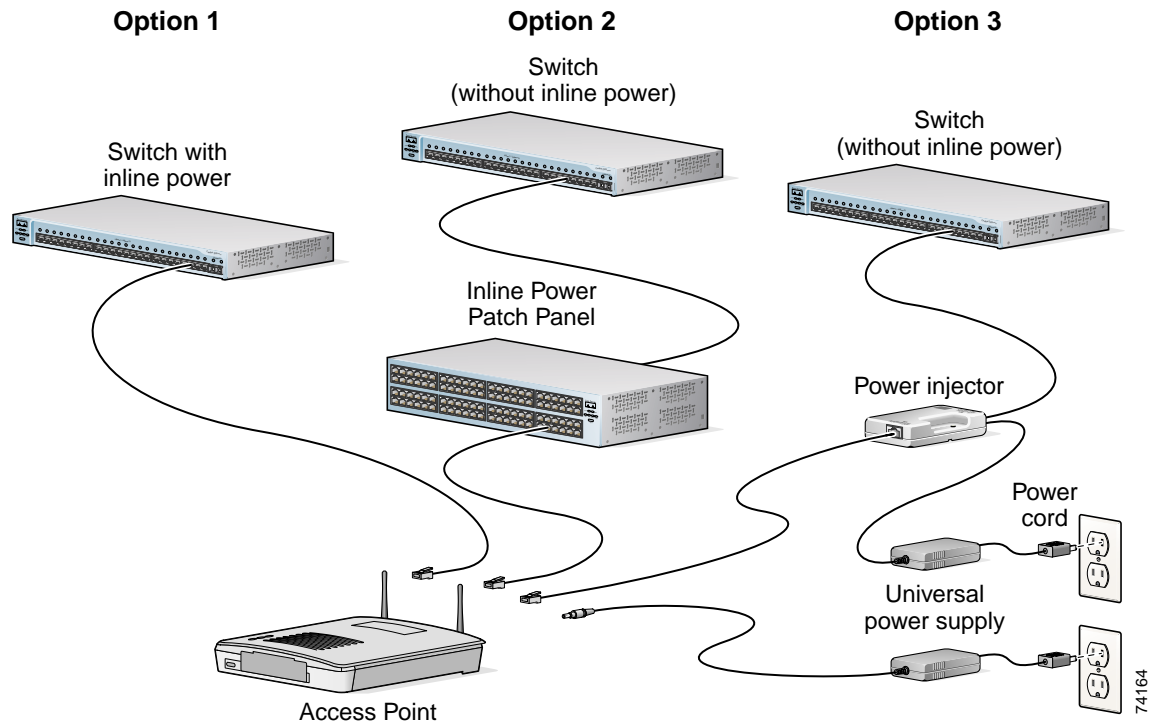


**Draft Copy - CISCO CONFIDENTIAL**

# Connecting the Ethernet and Power Cables

The access point receives power through the Ethernet cable or a 1200 series power module (universal power supply). Figure 2-4 shows the power options for the access point.

**Figure 2-4 Access Point Power Options**



The access point power options are listed below:

- A switch with inline power, such as a Cisco Catalyst 3524-PWR-XL
- An inline power patch panel, such as a Cisco Catalyst Inline Power Patch Panel
- A 1200 series power injector
- A 1200 series power module (Universal power supply)

**Caution**

The 1200 series power injectors are not tested to UL 2043 and should not be placed in a building's environmental air space, such as above suspended ceilings.

**Note**

If you use in-line power from a switch or patch panel, do not connect the 1200 series power module to the access point. Using two power sources on the access point might cause the switch or patch panel to shut down the port to which the access point is connected.

**Note**

If you need to use a power module or power injector to power the access point, you must use the 1200 series power module or power injector. The 350 series power module and power injector are not compatible with the 1200 series access point.

**Draft Copy - CISCO CONFIDENTIAL****Note**

---

Only the 1200 series power injector and the 1200 series power module can support simultaneous operation of both the 2.4-GHz and the 5.0-GHz radios in the access point.

---

**Note**

---

Both the Ethernet and console ports use RJ-45 connectors. Be careful to avoid accidentally connecting the serial cable to the Ethernet port connector.

---

Follow these steps to connect the Ethernet and power cables to the access point:

- 
- Step 1** If you are using in-line power from a switch or patch panel, connect an Ethernet cable from the access point to the device that supplies power.
- Step 2** If you are using in-line power from a 1200 series power injector, follow these additional steps:
- Connect an Ethernet cable from the access point into the end of the 1200 series power injector labeled *To AP/Bridge*.
  - Connect an Ethernet cable from the end of the 1200 series power injector labeled *To Network* to the your 10/100 Ethernet LAN.
  - Plug the female end of the AC power cord into the 1200 series power module (Universal power supply) and plug the male end into a suitable AC power receptacle.
- Step 3** If you are using a 1200 series power module, follow these additional steps:
- Connect an Ethernet cable from the access point to your 10/100 Ethernet LAN.
  - Plug the female end of the power cord into the 1200 series power module (Universal power supply) and plug the male end into a suitable power receptacle.
  - Plug the power connector into the back of the access point.

At startup, all three LEDs on the top of the access point slowly blink amber, red, and green in sequence; the sequence takes a few minutes to complete. During normal operation, the LEDs blink green. Refer to [Chapter 7, “Troubleshooting,”](#) for LED descriptions.

Refer to [Chapter 3, “Basic Configuration,”](#) to assign basic settings to the access point.

---



## Basic Configuration

---

This chapter describes the initial configuration of the access point using the Internet browser-based management system and the serial interface. You can also reach the management system through a Telnet session. Consult the *Cisco Aironet 1200 Series Access Point Software Configuration Guide* for complete instructions on using these interfaces.

This chapter includes the following sections:

- [Before You Start, page 3-2](#)
- [Summary of Configuration Steps, page 3-2](#)
- [Using the IP Setup Utility, page 3-3](#)
- [Entering Basic Settings, page 3-6](#)
- [Default Basic Settings, page 3-13](#)

**Draft Copy - CISCO CONFIDENTIAL**

## Before You Start

Before configuring the access point, you need to obtain the following information (possibly from your network administrator):

- The service set identifier (SSID) for the access point. If dual band radio operation is supported, different SSIDs for 2.4 GHz and 5-GHz operation may be used.
- A system name for the access point. The name should describe the location or principal users of the access point. The access point default system name is AIR-AP1200-xxxxxx, where xxxxxx is the last 6 digits of the access point MAC address.
- If your network does not use DHCP or BOOTP to assign IP addresses, you will need the following :
  - IP address for the access point
  - IP address for the default gateway
  - IP subnet mask for the access point
- The access point's MAC address, which is printed on the label on the bottom of the access point.
- Security settings for the wireless network, such as WEP, LEAP, and MIC settings. Different security settings may be used for the 2.4-GHz and 5-GHz wireless LANS. For additional information on configuring the access point security settings, refer to the *Cisco Aironet 1200 Series Access Point Software Configuration Guide*.

## Summary of Configuration Steps

You use the Express Setup page to assign basic settings to the access point. For instructions on setting up security, filtering, and other access point features, refer to the *Cisco Aironet 1200 Series Access Point Software Configuration Guide*.

You will follow these general steps to enter the access point's basic settings:

1. Connect the Ethernet and power cables to the access point. For instructions refer to the [“Connecting the Ethernet and Power Cables”](#) section on page 2-8.
2. Use an Internet browser to open the access point's management system by browsing to the access point's IP address or use a terminal emulator and the serial console port.

If your network uses a DHCP server and you are using a Windows operating system (Windows 95, 98, NT, 2000, ME, or XP), you can use the IP Setup Utility (IPSU) to find the access point's DHCP-assigned IP address. For other operating systems, you must use the serial console port. For additional information on IPSU, refer to the [“Using the IP Setup Utility”](#) section on page 3-3.

To use the console port, you must connect an RJ-45 to DB-9 serial cable (refer to [Appendix C, “Console Cable Pinouts”](#)) to your computer's COM port and to the console port on the back of the access point and use a terminal emulator to open the management system. For additional information on using the console port, refer to the [“Using a Terminal Emulator”](#) section on page 3-9.

3. Enter basic settings on the Express Setup page as described in the [“Entering Basic Settings”](#) section on page 3-6.
4. Mount the access point to the ceiling or wall. For mounting instructions, refer to the [Chapter 4, “Mounting Instructions.”](#)
5. Enter security and other access point option settings. For additional information, refer to the *Cisco Aironet 1200 Series Access Point Software Configuration Guide*.

## Draft Copy - CISCO CONFIDENTIAL

# Using the IP Setup Utility

The IP Setup utility (IPSU) allows you to find the access point's IP address when it has been assigned by a DHCP server. You can also use IPSU to set the access point's IP address and SSID if they have not been changed from the default settings.

**Note**

IPSU can be used only on the following operating systems: Windows 95, 98, NT, 2000, ME, or XP. For other operating systems, you must use the access point console port and a terminal emulator program to configure the access point.

The sections below explain how to install the utility, how to use it to find the access point's IP address, and how to use it to set the IP address and the SSID.

## Obtaining and Installing IPSU

IPSU is available on the Cisco web site. Follow these steps to obtain and install IPSU:

- 
- Step 1** Use your Internet browser to access the Cisco Software Center at the following URL:  
<http://www.cisco.com/public/sw-center/sw-wireless.shtml>
  - Step 2** Locate the utilities section and click on the individual files link for Windows.
  - Step 3** Click on the file, **IPSUvxxxxx.exe**. The *xxxxxx* identifies the software package version number.
  - Step 4** Read and accept the terms and conditions of the Software License Agreement.
  - Step 5** Download and save the file to a temporary directory on your hard drive and then exit the Internet browser.
  - Step 6** Double-click **IPSUvxxxxxx.exe** in the temporary directory to expand the file.
  - Step 7** Double-click **Setup.exe** and follow the steps provided by the installation wizard to install IPSU.  
The IPSU icon appears on your computer desktop.
- 

## Finding the Access Point's IP Address

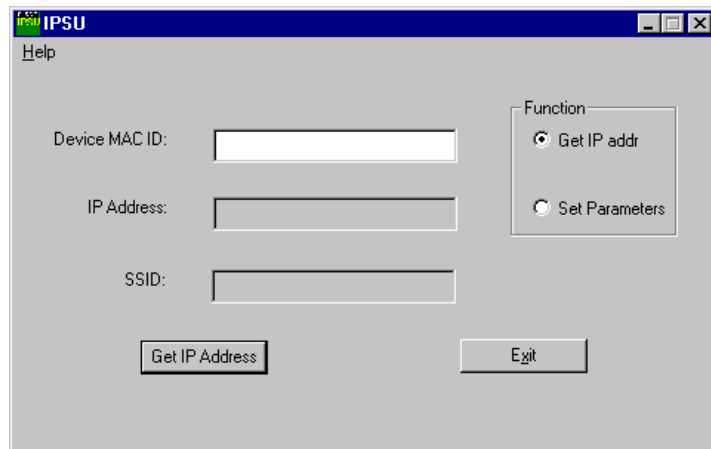
If your access point receives an IP address from a DHCP server, you can use IPSU to find its IP address. You must run IPSU from a computer on the same subnetwork as the access point. Follow these steps to find the access point's IP address:

- 
- Step 1** Double-click the **IPSU** icon on your computer desktop to start the utility.

**Draft Copy - CISCO CONFIDENTIAL**

The IPSU screen appears (see [Figure 3-1](#)).

**Figure 3-1** IPSU Get IP Address Screen



**Step 2** When the utility window opens, make sure the *Get IP addr* radio button in the Function box is selected.

**Step 3** Enter the access point's MAC address in the Device MAC ID field. The access point's MAC address is printed on the label on the bottom of the unit. It should contain six pairs of hexadecimal digits. Your access point's MAC address might look like the following example:

000164xxxxxx



**Note** The MAC address field is not case-sensitive.

**Step 4** Click **Get IP Address**.

**Step 5** When the access point's IP address appears in the IP Address field, write it down.

If IPSU reports that the IP address is 10.0.0.1, the default IP address, then the access point did not receive a DHCP-assigned IP address. To change the access point IP address using IPSU, refer to the [“Setting the Access Point's IP Address and SSID”](#) section on page 3-4. To change the access point IP address using the console port, refer to the [“Assigning Basic Settings”](#) section on page 3-9.

## Setting the Access Point's IP Address and SSID

You can use IPSU to change the default IP address and SSID of the access point.



**Note** The computer you use to assign an IP address to the access point must have an IP address of its own and be located on the same subnet as the access point.



**Note** IPSU can change the access point's IP address and SSID only from their default settings. After the IP address and SSID have been changed, IPSU cannot change them again (see the [“Using an Internet browser”](#) section on page 3-6 or the [“Using a Terminal Emulator”](#) section on page 3-9.)

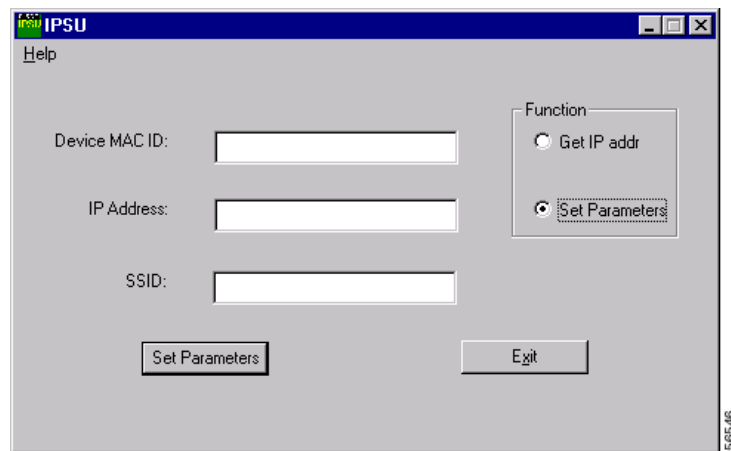
**Draft Copy - CISCO CONFIDENTIAL****Note**

When using IPSU to change the SSID in a dual-mode access point, the SSIDs for both radios are changed to the new setting.

Follow these steps to assign an IP address and an SSID to the access point:

- Step 1** Double-click the **IPSU** icon on your computer desktop to start the utility.
- Step 2** Click the **Set Parameters** radio button in the Function box (see [Figure 3-2](#)).

**Figure 3-2** IPSU Set Parameters Screen



- Step 3** Enter the access point's MAC address in the Device MAC ID field. The access point's MAC address is printed on the label on the bottom of the unit. It should contain six pairs of hexadecimal digits. Your access point's MAC address might look like the following example:

004096xxxxxx

**Note**

The MAC address field is not case-sensitive.

- Step 4** Enter the IP address you want to assign to the access point in the IP Address field.
- Step 5** Enter the SSID you want to assign to the access point in the SSID field.

**Note**

You cannot set the SSID without also setting the IP address. However, you can set the IP address without setting the SSID.

- Step 6** Click **Set Parameters** to change the access point's IP address and SSID settings.
- Step 7** Click **Exit** to exit IPSU.

**Draft Copy - CISCO CONFIDENTIAL**

# Entering Basic Settings

You can open the access point's management system through your Internet browser or through the access point's console port using a terminal emulator. Each method is described in this section.

## Using an Internet browser

Follow these steps to enter basic settings with an Internet browser:

- Step 1** Enter or paste your access point's IP address in the browser's address or location field; for example: if you are using Netscape, the field is labeled *Netsite* or *Location*; if you are using Microsoft Internet Explorer, the field is labeled *Address*. Press **Enter**.
- Step 2** When the access point's Summary Status page appears, click **Setup**. When the Setup page appears, click **Express Setup**. The Express Setup screen appears (see [Figure 3-3](#)).



**Note** If the access point is new and its factory configuration has not been changed, the Express Setup screen appears instead of the Summary Status screen when you first browse to the access point.

**Figure 3-3 Express Setup Screen**

- Step 3** Enter a system name for the access point in the System Name field. A descriptive system name makes it easy to identify the access point on your network. The default system name is *AIR-AP1200-xxxxxx*, where *xxxxxx* is the last 6 digits of the access point MAC address.



**Draft Copy - CISCO CONFIDENTIAL**

- Step 4** Select a configuration server protocol from the Configuration Server Protocol drop-down arrow menu. The configuration server protocol you select should match your network's method of IP address assignment. The Configuration Server link takes you to the Boot Server Setup page, which you use to configure the access point to work with your network's BOOTP or DHCP servers for automatic assignment of IP addresses.
- The Configuration Server Protocol drop-down menu options include:
- None—Your network does not have an automatic system for IP address assignment.
  - BOOTP—With Bootstrap Protocol, IP addresses are assigned based on MAC addresses.
  - DHCP—With Dynamic Host Configuration Protocol, IP addresses are “leased” for predetermined periods of time.
- Step 5** Enter an IP address in the Default IP address field.
- If DHCP is not enabled, the IP address entered will be the access point's static IP address.
  - If DHCP or BOOTP is enabled, the address you enter in this field provides the IP address only when no server responds with an IP address for the access point.
- Step 6** Enter an IP subnet mask in the Default IP Subnet Mask field to identify the subnetwork so the access point's IP address can be recognized on the LAN.
- If DHCP or BOOTP is not enabled, this field is the subnet mask.
  - If DHCP or BOOTP is enabled, this field provides the subnet mask only when no server responds to the access point's DHCP or BOOTP request.
- Step 7** Enter the IP address of your default internet gateway in the Default Gateway field. The entry 255.255.255.255 indicates no gateway. Clicking the Gateway link takes you to the Routing Setup page, which you use to configure the access point to communicate with the IP network routing system.
- Step 8** For the AP Radio: Internal (2.4-GHz) settings, perform the following steps:



---

**Note** The radio parameters can be different for the 2.4-GHz and 5-GHz wireless LANs.

---

- a. Enter an SSID for the access point's 2.4-GHz wireless LAN in the Radio Service Set ID (SSID) field. The SSID is a unique identifier that client devices use to associate with the access point. The SSID can be any alphanumeric entry from 2 to 32 characters long.
- b. Select a network role for the access point from the Role in Radio Network drop-down arrow. The menu contains the following options:
  - Root Access Point—A wireless LAN transceiver that connects an Ethernet network with wireless client stations. Use this setting if the access point will be connected to the wired LAN.
  - Repeater Access Point—An access point that transfers data between a client and another access point. Use this setting for access points not connected to the wired LAN.
  - Site Survey Client—A station with a wireless connection to an access point. Use this setting for diagnostics, such as when you need to test the access point by having it communicate with another access point.

**Draft Copy - CISCO CONFIDENTIAL**

- c. Select an Optimize Radio Network For option to assign either preconfigured settings or customized settings for the access point radio:
  - Throughput—Maximizes the data volume handled by the access point but might reduce the access point's range.
  - Range—Maximizes the access point's range but might reduce throughput.
  - Custom—The access point will use the settings you enter on the AP Radio Hardware page. Click the Custom link to go to the AP Radio Hardware page.
- d. To automatically configure the access point to be compatible with other devices on your wireless LAN, select an Ensure Compatibility With option:
  - 2-Mbps clients—Select this setting if your network contains Cisco Aironet devices that operate at 2 Mbps.
  - non-Aironet 802.11—Select this setting if there are non-Cisco Aironet devices on your wireless LAN.

**Step 9** For the AP Radio: Module (5-GHz) settings, perform the following steps:




---

**Note** The radio parameters can be different for the 2.4-GHz and 5-GHz wireless LANs.

---

- a. Enter an SSID for the access point's 5-GHz wireless LAN in the Radio Service Set ID (SSID) field. The SSID is a unique identifier that client devices use to associate with the access point. The SSID can be any alphanumeric entry from 2 to 32 characters long.
- b. Select a network role for the access point from the Role in Radio Network drop-down arrow. The menu contains the following options:
  - Root Access Point—A wireless LAN transceiver that connects an Ethernet network with wireless client stations. Use this setting if the access point will be connected to the wired LAN.
  - Repeater Access Point—An access point that transfers data between a client and another access point. Use this setting for access points not connected to the wired LAN.
  - Site Survey Client—A station with a wireless connection to an access point. Use this setting for diagnostics, such as when you need to test the access point by having it communicate with another access point.
- c. Select an Optimize Radio Network For option to assign either preconfigured settings or customized settings for the access point radio:
  - Throughput—Maximizes the data volume handled by the access point but might reduce the access point's range.
  - Range—Maximizes the access point's range but might reduce throughput.
  - Custom—The access point will use the settings you enter on the AP Radio Hardware page. Click the Custom link to go to the AP Radio Hardware page.

**Step 10** To use Simplified Network Management Protocol (SNMP), enter a community name in the SNMP Admin. Community field. This name automatically appears in the list of users authorized to view and make changes to the access point's management system. Click the **SNMP** link to go to the SNMP Setup page, where you can edit other SNMP settings.

You can define other SNMP communities with User Management (for additional information refer to the *Cisco Aironet 1200 Series Access Point Software Configuration Guide*).

**Step 11** Click **OK** to set your configuration changes and the Setup page appears. Your basic configuration is complete, you can close your internet browser.

## Draft Copy - CISCO CONFIDENTIAL

For additional information on security options, refer to the *Cisco Aironet 1200 Series Access Point Software Configuration Guide*.

---

### Using a Terminal Emulator

This section provides instructions for using the console port and Microsoft's HyperTerminal to set basic access point settings; other terminal emulator programs are similar. Typically, you would use the serial interface when the access point is initially being configured with basic settings and is easily accessible. When the access point is initially configured and mounted in an elevated operating location, the browser interface is more convenient to use to make access point configuration changes.

### Selecting Pages and Settings

With the serial interface, when you enter names and settings that appear in brackets you jump to that page or setting. HyperTerminal jumps to the page or setting as soon as it recognizes a unique name, so you need to enter only the first few characters in the page or setting name. For example: to jump from the home page to the Setup page, you only need to type **s**.

### Applying Changes to the Configuration

The serial interface's auto-apply feature is on by default, so changes you make to any page are applied automatically when you move to another management page. To apply changes and stay on the current page, type **apply** and press **Enter**.

### Assigning Basic Settings

Follow these steps to assign basic settings to the access point using the console port and a terminal emulator program:

- Step 1** Connect a RJ-45 to DB-9 serial cable (Cisco part number AIR-CONCAB1200 or refer to [Appendix C, "Console Cable Pinouts"](#)) to the COM port on your computer and to the console port on the back of the access point.



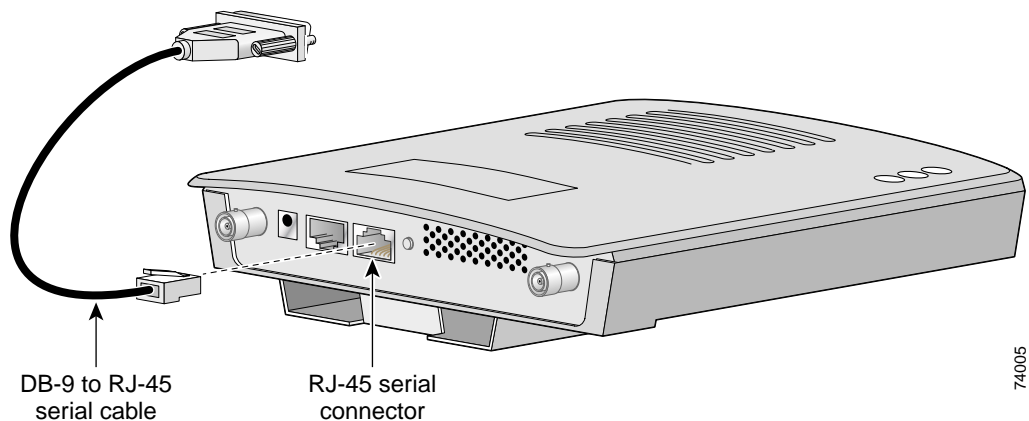
**Note** Both the Ethernet and console ports use RJ-45 connectors. Be careful to avoid accidentally connecting the serial cable to the Ethernet port connector.

---

**Draft Copy - CISCO CONFIDENTIAL**

Figure 3-4 shows the location of the access point's console port.

**Figure 3-4 Connecting the Serial Cable**



**Step 2** Open your terminal emulator program.

**Step 3** Enter these settings for the connection into your terminal emulator program:

- Bits per second (baud rate): **9600**
- Data bits: **8**
- Parity: **No parity**
- Stop bits: **1**
- Flow control: **Xon/Xoff** or **None**

**Step 4** Press = to display the home page of the access point.

If the access point is new and its factory configuration has not been changed, the Express Setup page appears. Go to [Step 5](#).

If the access point has been configured, the Summary Status page appears. Perform the following additional steps:

- a. Type **s** and the Setup screen appears.
- b. Type **ex** and the Express Setup screen appears.
- c. Go to [Step 5](#).

**Step 5** Type **na** to select System Name. Enter a system name for the access point and press **Enter**. A descriptive system name makes it easy to identify the access point on your network.

**Step 6** Type **t** and then press **Enter** to select Terminal Type. To specify the type of console interface, perform one of the following steps:

- a. Type **t** and then press **Enter** to select teletype display on the console interface.
- b. Type **a** and then press **Enter** to select ANSI display on the console interface.

**Step 7** Type **pr** and then press **Enter** to select Config Server Protocol. To select the type of protocol, perform one of the following steps:

- Type **n** to select none and press **Enter** after you make your selection.
- Type **b** to select BOOTP and press **Enter** after you make your selection.
- Type **d** to select DHCP and press **Enter** after you make your selection.

**Draft Copy - CISCO CONFIDENTIAL**

- Step 8** Type **ad** and then press **Enter** to select IP Address. Enter an IP address for the access point.
- If DHCP or BOOTP is not enabled, your entry is the access point's static IP address.
  - If DHCP or BOOTP is enabled, your entry provides the IP address only when the DHCP or BOOTP server does not respond.
- Step 9** Type **su** and then press **Enter** to select IP Subnet Mask. Enter an IP subnet mask to identify the subnetwork so the access point's IP address can be recognized on the LAN.
- If DHCP or BOOTP is not enabled, your entry is the static subnet mask.
  - If DHCP or BOOTP is enabled, your entry provides the subnet mask only when the DHCP or BOOTP server does not respond.
- Step 10** Type **g** and then press **Enter** to select Default Gateway. Enter the IP address of your default gateway. The entry `255.255.255.255` indicates no gateway.
- If DHCP or BOOTP is not enabled, your entry is the static default gateway address.
  - If DHCP or BOOTP is enabled, your entry provides the default gateway IP address only when a DHCP or BOOTP server does not respond.
- Step 11** For the AP Radio: Internal (2.4-GHz) settings, perform the following steps:



**Note** The radio parameters can be different for the 2.4-GHz and 5-GHz wireless LANs.

- Type **ra** and then press **Enter** to select Radio Service Set ID (SSID). Enter an SSID for the access point. The SSID is a unique identifier that client devices use to associate with the access point. The SSID can be any alphanumeric entry from 2 to 32 characters long.
- Type **ro** and then press **Enter** to select Role in Radio Network. The network roles include the following options:
  - Root Access Point—Type **ro** and then press **Enter** to select this setting. A wireless LAN transceiver that connects an Ethernet network with wireless client stations. Use this setting if the access point will be connected to the wired LAN.
  - Repeater Access Point—Type **re** and then press **Enter** to select this setting. An access point that transfers data between a client and another access point. Use this setting for access points not connected to the wired LAN.
  - Site Survey Client—Type **s** and then press **Enter** to select this setting. A station with a wireless connection to an access point. Use this setting for diagnostics, such as when you need to test the access point by having it communicate with another access point.
- Type **op** and then press **Enter** to select Optimize Radio Network For. These options assign either preconfigured settings or customized settings for the access point radio:
  - Throughput—Type **t** and then press **Enter** to select this setting. Maximizes the data volume handled by the access point but might reduce the access point's range.
  - Range—Type **r** and then press **Enter** to select this setting. Maximizes the access point's range but might reduce throughput.
  - Custom—Type **c** and then press **Enter** to select this setting. The access point will use the settings you enter on the AP Radio Hardware page. For additional information on the AP Radio Hardware page, refer to the *Cisco Aironet 1200 Series Access Point Software Configuration Guide*.

**Draft Copy - CISCO CONFIDENTIAL**

- d. Use the Ensure Compatibility With setting to automatically configure the access point to be compatible with other devices on your wireless LAN:
  - 2-Mbps clients—Type **2** and then press **Enter** to select this setting. Select this setting if your network contains Cisco Aironet devices that operate at 2 Mbps.
  - non-Aironet 802.11—Type **no** and then press **Enter** to select this setting. Select this setting if there are non-Cisco Aironet devices on your wireless LAN.

**Step 12** For the AP Radio: Module (5-GHz) settings, perform the following steps:




---

**Note** The radio parameters can be different for the 2.4-GHz and 5-GHz wireless LANs.

---

- a. Type **ra** and then press **Enter** to select Radio Service Set ID (SSID). Enter an SSID for the access point. The SSID is a unique identifier that client devices use to associate with the access point. The SSID can be any alphanumeric entry from 2 to 32 characters long.
- b. Type **ro** and then press **Enter** to select Role in Radio Network. The network roles include the following options:
  - Root Access Point—Type **ro** and then press **Enter** to select this setting. A wireless LAN transceiver that connects an Ethernet network with wireless client stations. Use this setting if the access point will be connected to the wired LAN.
  - Repeater Access Point—Type **re** and then press **Enter** to select this setting. An access point that transfers data between a client and another access point. Use this setting for access points not connected to the wired LAN.
  - Site Survey Client—Type **s** and then press **Enter** to select this setting. A station with a wireless connection to an access point. Use this setting for diagnostics, such as when you need to test the access point by having it communicate with another access point.
- c. Type **op** and then press **Enter** to select Optimize Radio Network For. These options assign either preconfigured settings or customized settings for the access point radio:
  - Throughput—Type **t** and then press **Enter** to select this setting. Maximizes the data volume handled by the access point but might reduce the access point's range.
  - Range—Type **r** and then press **Enter** to select this setting. Maximizes the access point's range but might reduce throughput.
  - Custom—Type **c** and then press **Enter** to select this setting. The access point will use the settings you enter on the AP Radio Hardware page. For additional information on the AP Radio Hardware page, refer to the *Cisco Aironet 1200 Series Access Point Software Configuration Guide*.

**Step 13** Type **sn** and then press **Enter** to select SNMP Admin. Community. Enter an SNMP community name. This name automatically appears in the list of users authorized to view and make changes to the access point's management system.

You can define other SNMP communities with User Management. For additional information on SNMP, refer to the *Cisco Aironet 1200 Series Access Point Software Configuration Guide*.

**Step 14** Type **ap** and press **Enter** to apply your basic settings. Your basic configuration is complete, you can close your terminal emulator.

For additional information on security options, refer to the *Cisco Aironet 1200 Series Access Point Software Configuration Guide*.

---

**Draft Copy - CISCO CONFIDENTIAL****Default Basic Settings**

Table 3-1 lists the default settings on the access point's Express Setup screen.

**Table 3-1 Default Settings on the Express Setup Screen**

Parameter	Default Value
System Name	AP1200-xxxxxx (the last six characters of the unit's MAC address)
Terminal Type (on serial interface only)	teletype
Config Server Protocol	DHCP
IP address	10.0.0.1
IP Subnet Mask	255.255.255.0
Default Gateway	255.255.255.255
AP Radio: Internal (2.4-GHz radio)	
SSID	tsunami
Role in Radio Network	Root Access Point
Optimize Radio Network For	Throughput
AP Radio: Module (5-GHz radio)	
SSID	tsunami
Role in Radio Network	Root Access Point
Optimize Radio Network For	Throughput
Ensure Compatibility With	(none selected)
SNMP Admin. Community	(blank)

***Draft Copy - CISCO CONFIDENTIAL***





## Mounting Instructions

---

This chapter provides instructions for mounting the access point to suspended ceilings, vertical surfaces, or horizontal surfaces using the access point mounting bracket.

The following sections are included in this chapter:

- [Overview, page 4-2](#)
- [Mounting on a Horizontal or Vertical Surface, page 4-3](#)
- [Mounting on a Suspended Ceiling, page 4-4](#)
- [Attaching the Access Point to the Mounting Bracket, page 4-5](#)
- [Securing the Access Point to the Mounting Bracket, page 4-5](#)

**Draft Copy - CISCO CONFIDENTIAL**

# Overview

You can mount the access point on any of the following surfaces:

- Horizontal or vertical flat surfaces, such as walls or ceilings
- Suspended ceilings

The access point ships with a detachable mounting bracket and the necessary mounting hardware. Because it is detachable, you can use the mounting bracket as a template to mark the positions of the mounting holes for your installation. You then install the mounting bracket and attach the access point when you are ready. Refer to [Figure 4-1](#) to locate the various mounting holes for the method you intend to use.

**Note**

The Cisco Aironet 1200 Series Access Point provides adequate fire resistance and low smoke-producing characteristics suitable for operation in a building's environmental air space in accordance with Section 300-22(C) of the National Electrical Code (NEC), such as above suspended ceilings.

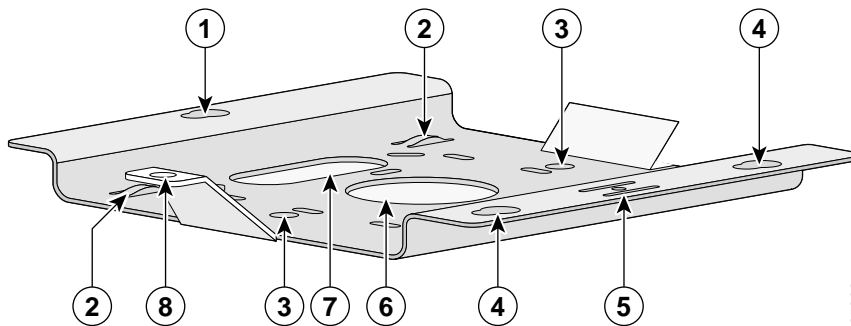
**Note**

If you plan to mount the access point with the 5-GHz radio in environmental air space, Cisco recommends that you mount the access point horizontally with its antennas pointing down. Doing so will result in the access point complying with regulatory requirements for environmental air space.

**Note**

When mounting the access point in a building's environmental air space, you must use Ethernet cable suitable for operation in environmental air space in accordance with Section 300-22(C) of the National Electrical Code (NEC).

**Figure 4-1 Mounting Bracket**



<b>1</b>	Access point mount	<b>5</b>	Locking detent
<b>2</b>	Cable tie points	<b>6</b>	Wall cable access
<b>3</b>	Ceiling mount holes	<b>7</b>	Suspended ceiling cable access
<b>4</b>	Access point mounts	<b>8</b>	Security hasp

**Draft Copy - CISCO CONFIDENTIAL**

A mounting hardware kit is provided that contains the hardware and fasteners necessary to mount the access point. Refer to the [Table 4-1](#) to identify the materials you need to mount your access point, then go to the section containing the specific mounting procedure.

**Table 4-1 Material Needed to Mount Access Point**

Mounting Method	Materials Required	In Kit
Horizontal or vertical surface	Four #8 x 1 in. (25.4 mm) screws	Yes
	Four wall anchors	Yes
	3/16 in. (4.7 mm) or 3/32 in. (2.3 mm) drill bit	No
	Drill	No
	Standard screwdriver	No
Suspended ceiling	Two caddy fasteners with studs	Yes
	Two plastic spacers	Yes
	Two 1/4–20 Keps nuts with built-in washers	Yes
	Standard screwdriver	No
	Appropriate wrench or pliers	No

## Mounting on a Horizontal or Vertical Surface

Follow these steps to mount the access point on a horizontal or vertical surface.

---

**Step 1** Use the mounting bracket as a template to mark the locations of the four mounting holes.

**Step 2** Drill one of the following sized holes at the locations you marked:

- 3/16 in. (4.7 mm) if you are using wall anchors
- 1/8 in. (6.3 mm) if you are not using wall anchors

**Step 3** Install the anchors into the wall if you are using them. Otherwise, go to step 4.

**Step 4** Secure the mounting bracket to the surface using the #8 fasteners.




---

**Note** On a vertical surface, mount the bracket with its security hasp facing down.

---

**Step 5** Attach the access point to the mounting bracket.




---

**Note** You can make your installation more secure by mounting it to a stud or major structural member and using the appropriate fasteners.

---

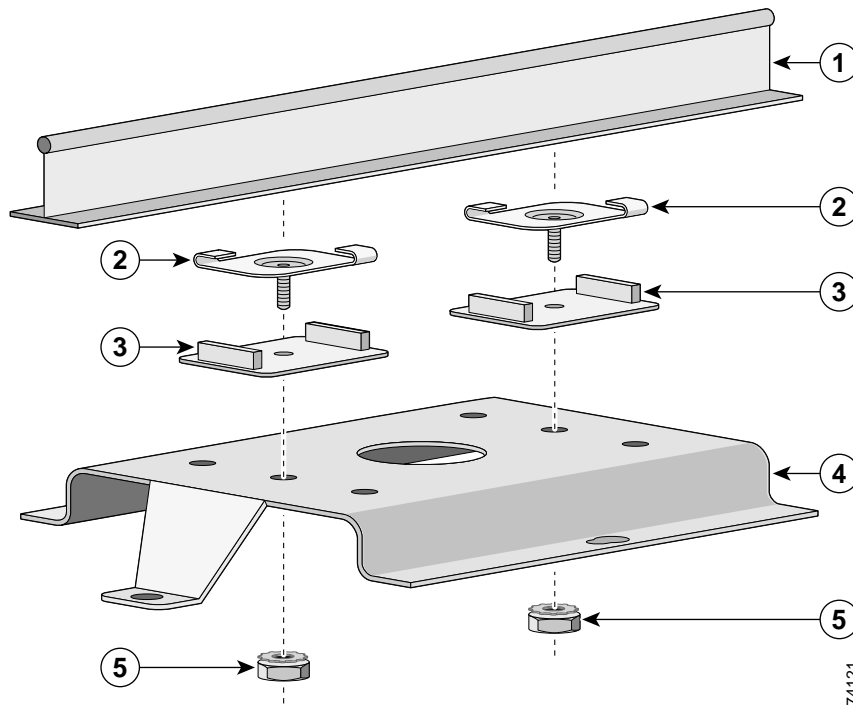
**Draft Copy - CISCO CONFIDENTIAL**

# Mounting on a Suspended Ceiling

**Note**

To comply with NEC code, a #10-24 grounding lug is provided on the mounting bracket.

You should review [Figure 4-2](#) before beginning the mounting process.

**Figure 4-2 Mounting Bracket Parts**

<b>1</b>	Suspended ceiling T-rail	<b>4</b>	Mounting bracket
<b>2</b>	Caddy fastener	<b>5</b>	Keps nut (contains an attached lock washer)
<b>3</b>	Plastic spacer		

74121

## ***Draft Copy - CISCO CONFIDENTIAL***

Follow these steps to mount your access point on a suspended ceiling.

- 
- Step 1** Determine the location where you want to mount the access point.
  - Step 2** Attach two caddy fasteners to the suspended ceiling T-rail.
  - Step 3** Use the mounting bracket to adjust the distance between the caddy fasteners so that they align with the holes in the mounting bracket.
  - Step 4** Use a standard screwdriver to tighten the caddy fastener studs in place on the suspended ceiling T-rail. Do not overtighten.
  - Step 5** Install a plastic spacer on each caddy fastener stud. The spacer's legs should contact the suspended ceiling T-rail.
  - Step 6** Attach the mounting bracket to the caddy fastener studs and start a Keps nut on each stud.
  - Step 7** Use a wrench or pliers to tighten the Keps nuts. Do not overtighten.
  - Step 8** Attach the access point to the mounting bracket.
- 

## **Attaching the Access Point to the Mounting Bracket**

Follow these steps to attach the access point to the mounting bracket.

- 
- Step 1** Line up the three mounting pins on the access point with the large ends of the keyhole-shaped holes on the mounting bracket.
  - Step 2** Insert the access point into the keyhole shaped holes and maintain a slight pressure to hold it in place.
  - Step 3** Slide the access point's mounting pins into the small ends of the keyhole-shaped holes on the mounting bracket and push the connector end of the access point. You will hear a click when the locking detent contacts the access point and locks it into place.
  - Step 4** Attach and adjust the antenna(s) or antenna cables.
  - Step 5** Connect the Ethernet cable to the access point's Ethernet port.
  - Step 6** Insert the 1200 series power module cable connector into the access point's 48VDC power port (if you are using a local power source).
- 

## **Securing the Access Point to the Mounting Bracket**

The security hasp on the mounting bracket allows you to lock the access point to the bracket to make it more secure. When the access point is properly installed on the mounting bracket, the holes in the security hasps line up so you can install a padlock.

Known compatible padlocks are Master Lock models 120T or 121T.

***Draft Copy - CISCO CONFIDENTIAL***



## 2.4-GHz Radio Upgrade

---

### Contents

This section contains the following topics:

- [Overview, page 5-2](#)
- [Opening the Access Cover, page 5-3](#)
- [Removing a Blank Spacer Card, page 5-4](#)
- [Removing a 2.4-GHz Radio, page 5-5](#)
- [Installing a 2.4-GHz Radio, page 5-6](#)

**Draft Copy - CISCO CONFIDENTIAL**

## Overview

This section provides instructions for upgrading the access point 2.4-GHz radio. The following operations summarize the upgrade procedure:

- Remove all cables and power connections from the access point
- Follow standard Electro Static Discharge procedures
- Place the access point on an ESD protected work surface.
- Open the access point's 2.4-GHz radio access cover
- For an access point without the 2.4-GHz radio feature
  - Remove the blank spacer card
- For an access point with the 2.4-GHz radio feature
  - Remove the existing 2.4-GHz card
- Install the new 2.4-GHz radio card
- Close the access point 2.4-GHz radio access cover

**Caution**

---

Electro Static Discharge (ESD) can damage the Cisco Aironet radio and the internal components of the access point. It is recommended that the 2.4-GHz radio upgrade procedures be performed by an ESD trained service technician at an ESD protected workstation.

---

## Unpacking the Radio

Each 2.4-GHz radio is shipped with the following items:

- Quick start guide
- A product registration card
- A T-10 tamper-resistant Torx L-wrench
- A 2.4 GHz radio product compliance label

If anything is missing or damaged, contact your Cisco representative for support.



**Draft Copy - CISCO CONFIDENTIAL**

# Opening the Access Cover

To open the 2.4-GHz radio access cover, follow the steps below:

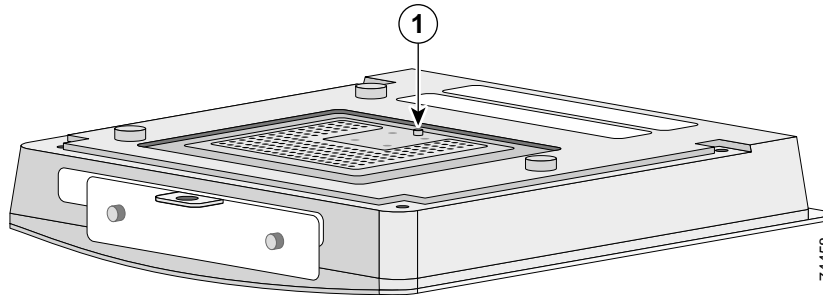
- 
- Step 1** Remove all cables and power connections from the access point.
  - Step 2** Remove all static generating items from the work area, such as plastic material, styrofoam cups, and other similar items.
  - Step 3** Place the access point and the new 2.4-GHz radio (in its anti-static bag) on a static protected work surface.
  - Step 4** Discharge any static buildup on your body by touching a grounded surface (static protected work surface) before proceeding.
  - Step 5** Position the access point so that the bottom cover is facing up.

**Caution**

The internal access point components and the 2.4-GHz radio can be damaged by ESD from improper handling.

- 
- Step 6** Remove the bottom access cover (see [Figure 5-1](#)) using the T-10 tamper-resistant Torx L-wrench provided with your Cisco radio card.

**Figure 5-1** Location of 2.4-GHz Radio Access Cover Screw



<b>1</b>	Access Cover Screw
----------	--------------------

If your access point was not configured with a 2.4-GHz radio, go to the [“Removing a Blank Spacer Card”](#) section. If you are replacing an existing 2.4-GHz radio, go to the [“Removing a 2.4-GHz Radio”](#) section.

**Draft Copy - CISCO CONFIDENTIAL**

## Removing a Blank Spacer Card

When your access point is not factory configured with a 2.4-GHz radio, it contains a blank spacer card in the internal mini-PCI connector. You must remove the blank spacer card prior to installing a new 2.4-GHz radio card.

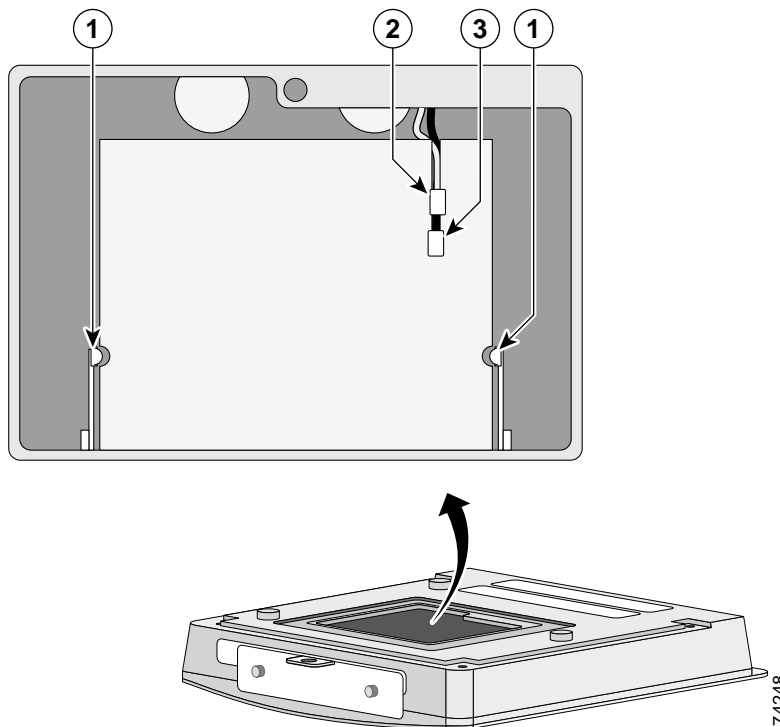
**Caution**

Handle all components carefully and observe all ESD precautions. The internal access point components and the 2.4-GHz radio can be damaged by ESD from improper handling.

To remove the blank spacer card from the mini-PCI connector, following the steps below:

- Step 1** Push the card-retaining clips (on each side of card) away from the card (see [Figure 5-2](#)). When released, the board will spring up.

**Figure 5-2** Location of Retaining Clips on Blank Spacer Card



1	Card-retaining clips	2	Antenna connector (white wire)
3	Antenna connector (black wire)		

- Step 2** Carefully bend the card near the slots in opposite directions to provide enough clearance to remove the antenna wires.

***Draft Copy - CISCO CONFIDENTIAL***

**Step 3** Remove the antenna wires from the blank spacer card.



**Caution** To avoid damaging the antenna wire assemblies, handle them by their connectors.

**Step 4** Remove the blank spacer card from the mini-PCI connector.

For instructions on installing the radio card, go to the [“Installing a 2.4-GHz Radio”](#) section.

## Removing a 2.4-GHz Radio

To remove a 2.4-GHz radio card from your access point, follow the steps below:



**Caution** The internal access point components and the 2.4-GHz radio can be damaged by ESD from improper handling.

**Step 1** Use your fingers to carefully remove the antenna wire connectors from the 2.4-GHz radio card.



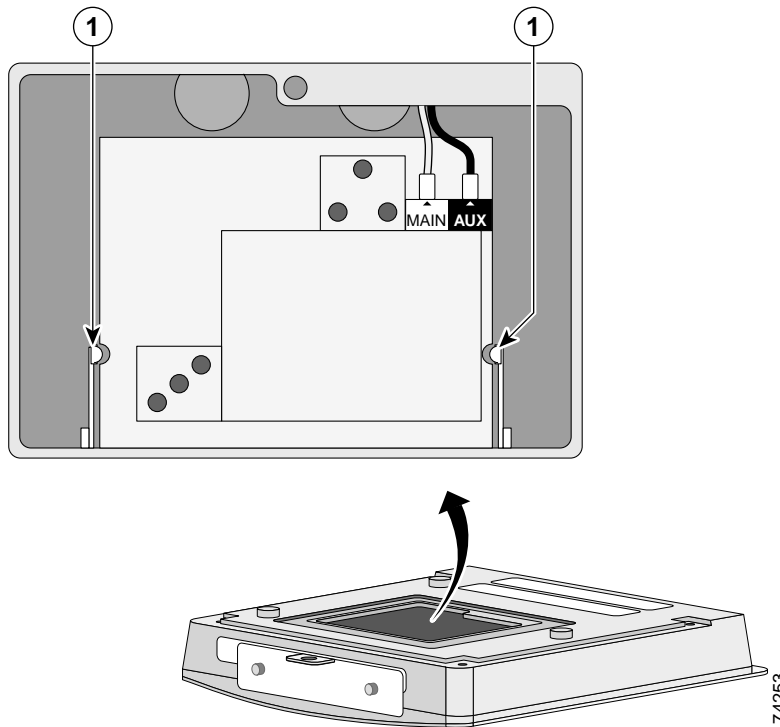
**Caution** The antenna connectors can be damaged by using a pair of long-nose pliers during the removal process.



**Caution** To avoid damaging the antenna wire assemblies, handle them by their connectors.

**Draft Copy - CISCO CONFIDENTIAL**

- Step 2** Remove the 2.4-GHz radio card from the mini-PCI connector by performing the following operations:
- a. Push the card-retaining clips (on each side of card) away from the card (see [Figure 5-3](#)). When released, the radio card will spring up (see [Figure 5-4](#)).

**Figure 5-3 Location of Retaining Clips on 2.4-GHz Radio Card**

1	Card-retaining clips
---	----------------------

- b. Grasp the radio card only on the edges, being careful not to touch components on the board or the gold connector pins.
- c. Remove the 2.4-GHz card from the mini-PCI connector.

- Step 3** Place the removed 2.4GHz radio card into an anti-static bag.

For instructions on installing a new radio card, go to the [“Installing a 2.4-GHz Radio”](#) section.

## Installing a 2.4-GHz Radio

To install a new 2.4-GHz radio card into the access point, follow the steps below.

**Caution**

The internal access point components and the 2.4-GHz radio can be damaged by ESD from improper handling.

- Step 1** Carefully remove the Cisco Aironet 2.4-GHz radio card from its anti-static bag.

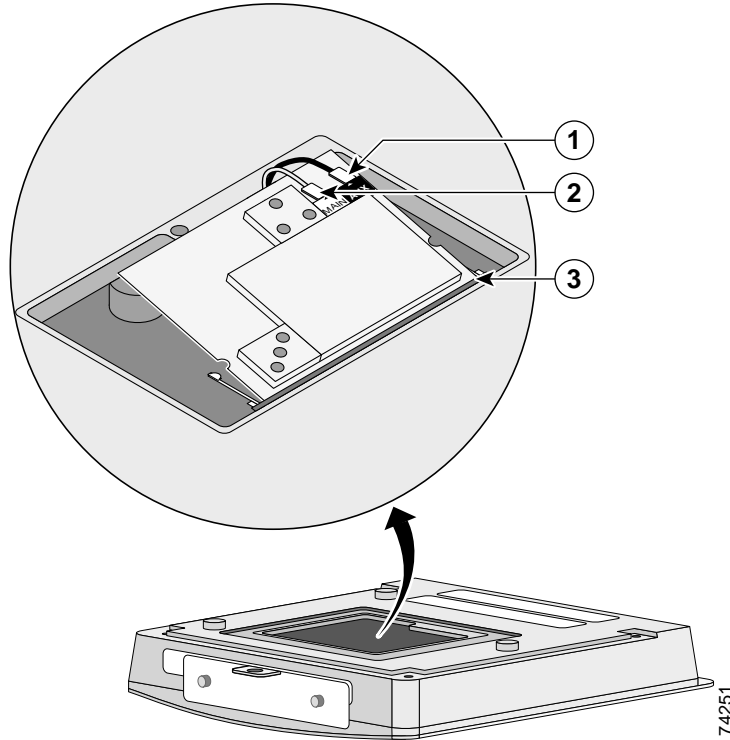
**Draft Copy - CISCO CONFIDENTIAL**

- Step 2** Grasp the radio card only on the edges, being careful not to touch components on the board or the gold connector pins.
- Step 3** Connect the black antenna wire connector to the radio card antenna connector marked by the black label (see [Figure 5-4](#)).

  
**Caution**

To avoid damaging the antenna wire assemblies, handle them by their connectors.


**Figure 5-4 Antenna Connector Labels and Mini-PCI Connector**

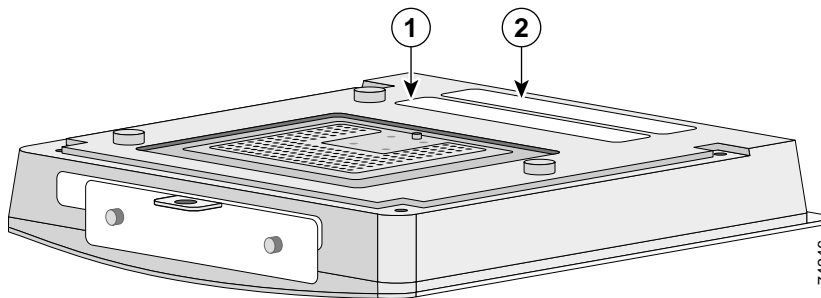


<b>1</b>	Antenna connector (black wire)	<b>2</b>	Antenna connector (white wire)
<b>3</b>	Mini-PCI connector		

- Step 4** Connect the white antenna wire connector to the radio card antenna connector marked by the white label (see [Figure 5-4](#)).

**Draft Copy - CISCO CONFIDENTIAL**

- Step 5** Insert the radio card into the access point's mini-PCI connector by following the steps below:
- Tilt the radio card at approximately 20° to 30° so that its gold pins are aligned with the mini-PCI connector (see [Figure 5-4](#)).
  - Push the card into the mini-PCI connector until it clicks into place.
- Step 6** Carefully push the card down (towards the access point's motherboard) until the card-retaining clips lock into the notches on the side of the radio card (you will hear a click).
- Step 7** Carefully position the antenna wires so that the metal connectors do not touch each other.
-  **Caution** Damage to the radio could occur if the antenna connectors are touching when power is applied. If they are touching, carefully rotate them in opposite directions until they are separated.
- Step 8** Reinstall the 2.4-GHz radio access cover and use the T-10 tamper-resistant Torx L-wrench to tighten the cover's retaining screw.
- Step 9** Remove the backing paper from the 2.4-GHz radio product compliance label.
- Step 10** Carefully attach the label in the space provided below the access point's product compliance label as shown in [Figure 5-5](#).

**Figure 5-5 Location of Product Compliance Labels**

<b>1</b>	2.4-GHz radio product compliance label	<b>2</b>	Access point product compliance label
----------	--	----------	---------------------------------------



**Note** If your access point contains a 5-GHz radio module, there will also be a 5-GHz radio product compliance label on the back of the unit.

The radio card installation is now complete. To configure the 2.4-GHz radio card with your wireless network settings refer to the *Cisco Aironet 1200 Series Access Point Software Configuration Guide*.



## 5-GHz Radio Module Upgrade

---

This chapter provides upgrade instructions for the 5-GHz radio module and includes the following sections:

- [Overview, page 6-2](#)
- [Removing the 5-GHz Radio Access Cover, page 6-2](#)
- [Removing a 5-GHz Radio Module, page 6-3](#)
- [Installing a 5-GHz Radio Module, page 6-5](#)

**Draft Copy - CISCO CONFIDENTIAL**

## Overview

This section provides instructions for upgrading the access point 5-GHz radio module. The following operations summarize the upgrade procedure:

- Remove all cables and power connections from the access point
- Place your access point on a flat surface
- For an access point without the 5-GHz radio feature
  - Remove the 5-GHz radio access cover
- For an access point with the 5-GHz radio feature
  - Remove the existing 5-GHz radio module
- Install the new 5-GHz radio module

## Unpacking the Radio Module

Each 5-GHz radio module is shipped with the following items:

- Quick start guide
- A product registration card
- A T-10 tamper-resistant Torx L-wrench
- A 5-GHz radio product compliance label

If anything is missing or damaged, contact your Cisco representative for support.

## Removing the 5-GHz Radio Access Cover

To remove the 5-GHz radio access cover, follow the instructions below:

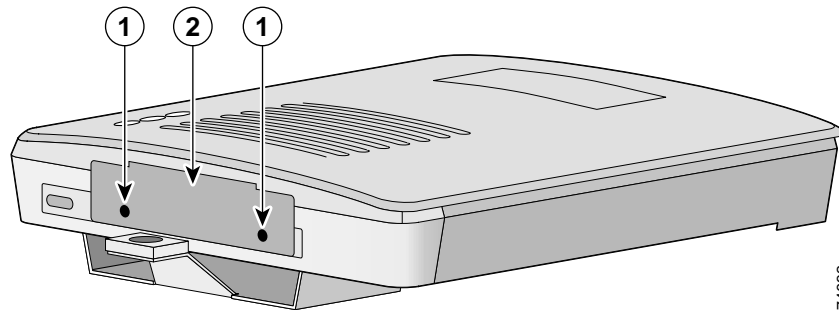
- 
- Step 1** Remove all cables and power connections from the access point.
- Step 2** Place the access point on a flat surface so that the unit is upright with the front end facing you.



**Draft Copy - CISCO CONFIDENTIAL**

**Step 3** Remove the 5-GHz access cover (see [Figure 6-1](#)) using the supplied Torx L-wrench.

**Figure 6-1 5-GHz Radio Access Cover**



74632

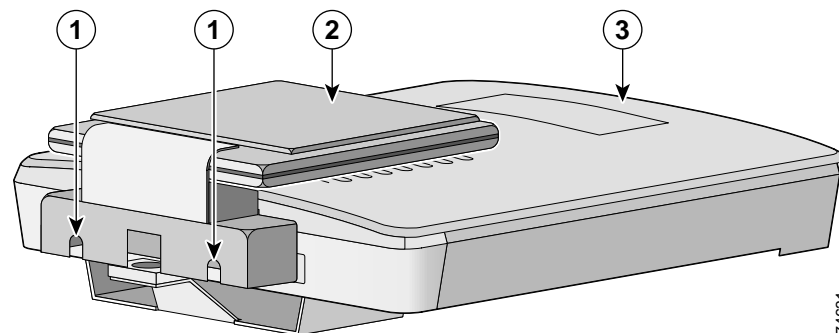
1	Access Cover Screws	2	Access Cover
---	---------------------	---	--------------

## Removing a 5-GHz Radio Module

To remove the 5-GHz radio module, follow the instructions below:

- Step 1** Remove all cables and power connections from the access point.
- Step 2** Place the access point on a flat surface so that the unit is upright with the front end facing you.
- Step 3** Unscrew the two mounting screws using the supplied Torx L-wrench (see [Figure 6-2](#)).

**Figure 6-2 5-GHz Radio Module**



74631

1	Mounting screws	2	5-GHz radio module antenna
3	Access point		

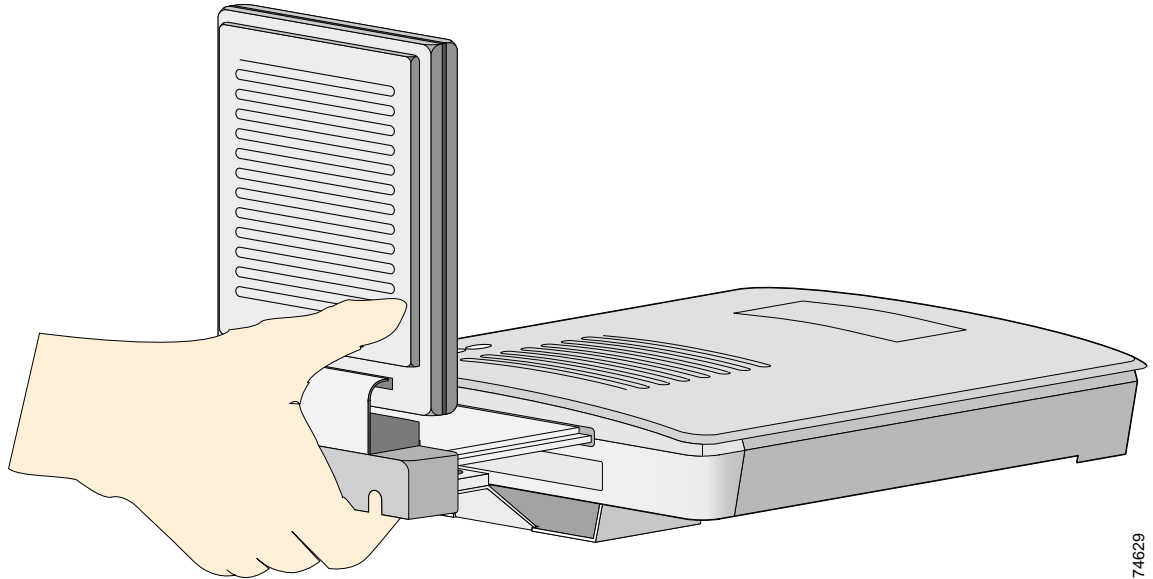


**Note** Do not attempt to remove the mounting screws from the module; they are captured in the module housing.

**Draft Copy - CISCO CONFIDENTIAL**

- Step 4** Insert your fingers into the base of the 5-GHz radio module (closest to the access point) and pull straight out from the access point (see [Figure 6-3](#)).

**Figure 6-3** Removing the 5-GHz Radio Module



74629

- Step 5** Fold the antenna down (towards the attached radio card) and insert the module into a static protected bag.
-

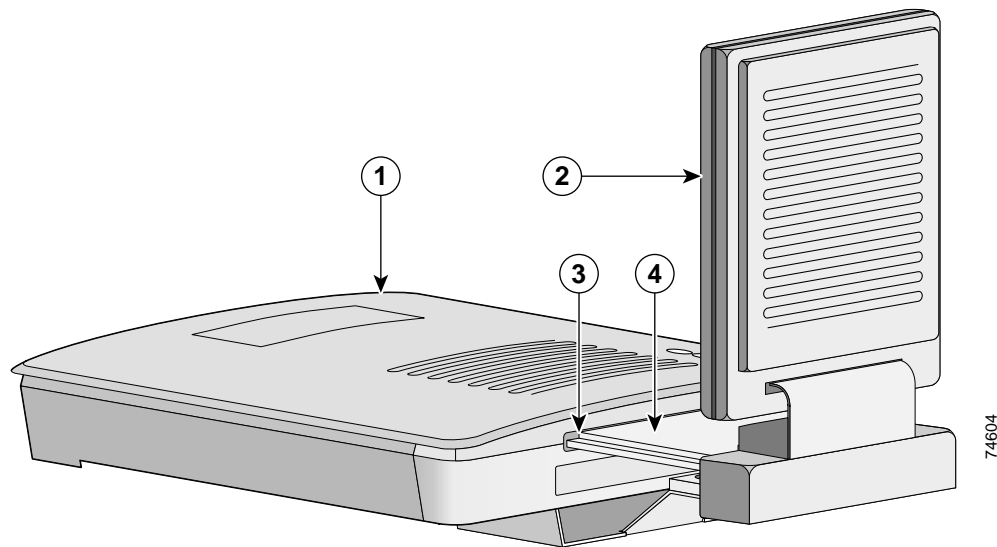
**Draft Copy - CISCO CONFIDENTIAL**

# Installing a 5-GHz Radio Module

To install a new 5-GHz radio module into your access point, follow the steps below:

- Step 1** Before you can install a new 5-GHz radio module, you must remove the access cover or an existing 5-GHz radio module (refer to [Removing the 5-GHz Radio Access Cover](#) or [Removing a 5-GHz Radio Module](#)).
- Step 2** Place the access point on a flat surface so that the unit is upright with the front end facing you.
- Step 3** Grasp the new 5-GHz radio module by its base (with the antenna pointing up) and insert the card into the access point's card-bus slot (see [Figure 6-4](#)).

**Figure 6-4** Installing a 5-GHz Radio Module



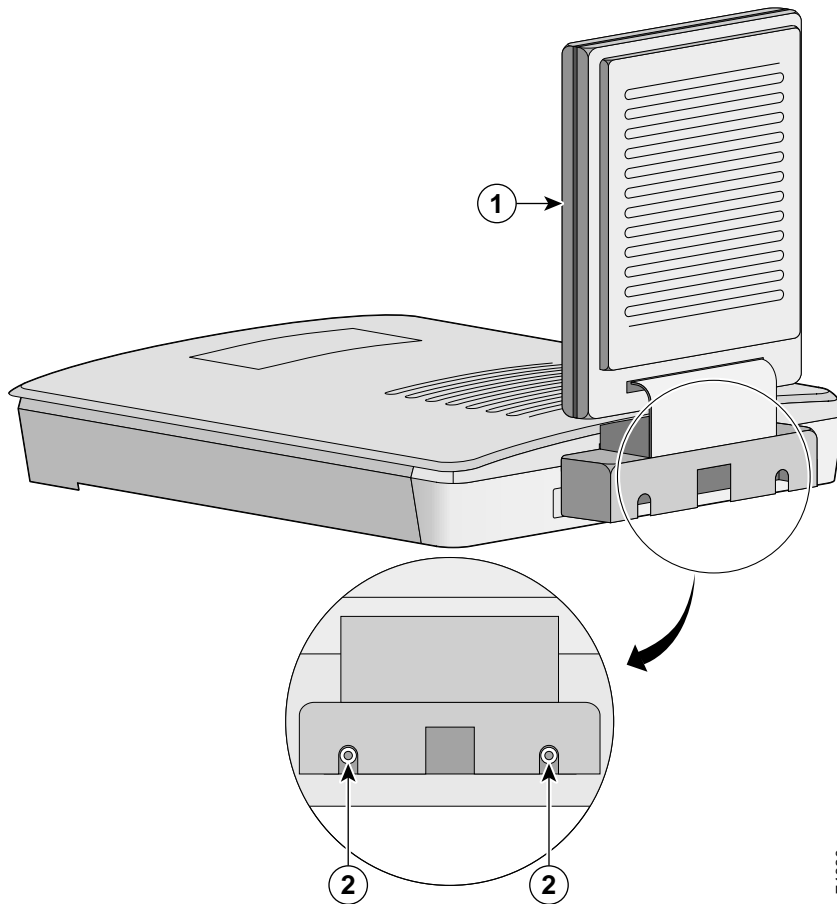
1	Access point	2	5-GHz radio module antenna
3	Access point card-bus slot	4	5-GHz radio card

- Step 4** Push the 5-GHz radio module into the slot until you hear a slight click.

**Draft Copy - CISCO CONFIDENTIAL**

**Step 5** Tighten the 5-GHz radio module mounting screws (see [Figure 6-5](#)) using the supplied Torx L-wrench.

**Figure 6-5** Location of Mounting Screws

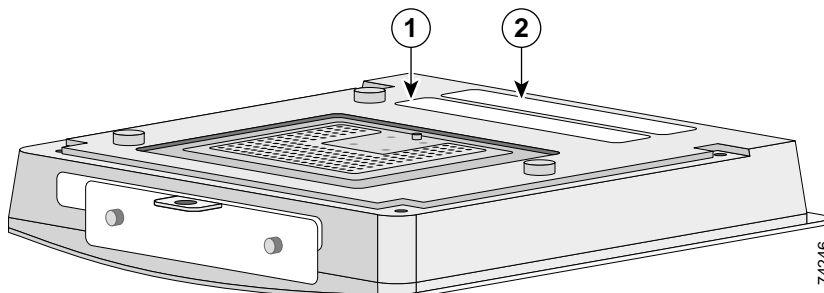


1	5-GHz radio module antenna	2	Mounting screws
---	----------------------------	---	-----------------

**Step 6** Remove the backing paper from the 5-GHz radio product compliance label.

**Step 7** Carefully attach the label in the space provided below the product compliance label (see [Figure 6-6](#)).

**Figure 6-6** 5-GHz Radio Product Compliance Label



1	5-GHz radio product compliance label	2	Access point product compliance label
---	--------------------------------------	---	---------------------------------------

***Draft Copy - CISCO CONFIDENTIAL***

---

**Note** If your access point contains an internal 2.4-GHz radio, there will also be a 2.4-GHz radio product compliance label on the back of the unit.

---

The 5-GHz radio module installation is now complete. To configure the 5-GHz radio with your wireless network settings refer to [Chapter 3, “Basic Configuration”](#) and to the *Cisco Aironet 1200 Series Access Point Software Configuration Guide*.

---

***Draft Copy - CISCO CONFIDENTIAL***



## Troubleshooting

---

This chapter provides troubleshooting procedures for basic problems with the access point. For additional diagnostic and troubleshooting information, refer to the *Cisco Aironet 1200 Series Access Point Software Configuration Guide*. For the most up-to-date troubleshooting information, refer to the Cisco TAC website at the following URL (select **Top Issues** and then select **Wireless Technologies**):

<http://www.cisco.com/tac>

Sections in this chapter include:

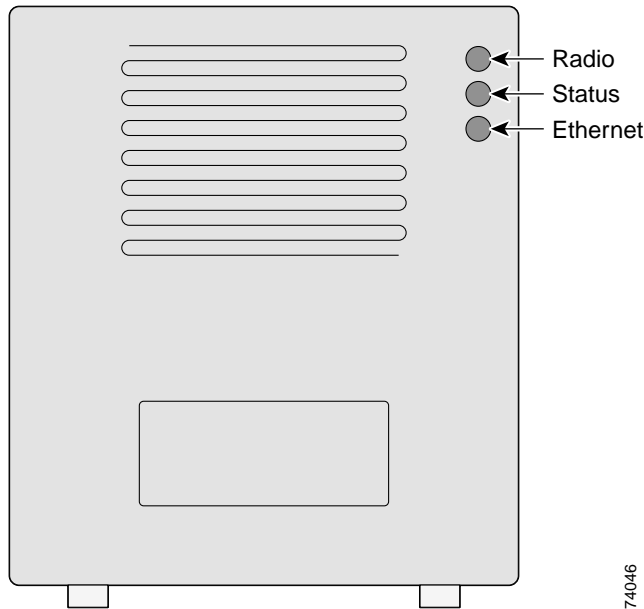
- [Checking the Top Panel Indicators, page 7-2](#)
- [Checking Basic Settings, page 7-3](#)
- [Resetting to the Default Configuration, page 7-4](#)

**Draft Copy - CISCO CONFIDENTIAL**

## Checking the Top Panel Indicators

If your access point is not communicating, check the three indicators on the top panel. You can use them to quickly assess the unit's status. Figure 7-1 shows the indicators.

**Figure 7-1** Indicators on the 1200 Series Access Point



The indicators signals have the following meanings:

- The Ethernet indicator signals traffic on the wired LAN, or Ethernet infrastructure. This indicator blinks green when a packet is received or transmitted over the Ethernet infrastructure.
- The status indicator signals operational status. Blinking green indicates that the access point is operating normally but is not associated with any wireless devices. Steady green indicates that the access point is associated with a wireless client.

For repeater access points, blinking 50% on, 50% off indicates the repeater is not associated with the root access point; blinking 7/8 on, 1/8 off indicates that the repeater is associated with the root access point but no client devices are associated with the repeater; steady green indicates that the repeater is associated with the root access point and client devices are associated with the repeater.

- The radio indicator blinks green to indicate radio traffic activity. The light is normally off, but it blinks green whenever a packet is received or transmitted over the access point's radio.

**Note**

The Radio and Status indicators are used for both 2.4-GHz and 5-GHz radio operation.



**Draft Copy - CISCO CONFIDENTIAL**

Table 7-1 lists the meanings of the indicator signals.

**Table 7-1 Top Panel Indicator Signals**

Message type	Ethernet indicator	Status indicator	Radio indicator	Meaning
Association status	–	Steady green	–	At least one wireless client device is associated with the unit.
	–	Blinking green	–	No client devices are associated; check the unit's SSID and WEP settings.
Operational	–	Steady green	Blinking green	Transmitting/receiving radio packets.
	Blinking green	Steady green	–	Transmitting/receiving Ethernet packets.
	–	Steady green	Blinking amber	Maximum retries or buffer full occurred on the radio.
Error/warning	Blinking amber	Steady green	–	Transmit/receive Ethernet errors.
	Blinking red	–	–	Ethernet cable is disconnected.
	–	Blinking amber	–	General warning.
Failure	Steady red	Steady red	Steady red	Firmware failure; disconnect power from the unit and reapply power.
Firmware upgrade	–	Steady red	–	Unit is loading new firmware.

## Checking Basic Settings

Mismatched basic settings are the most common causes of lost connectivity with wireless clients. If the access point does not communicate with client devices, check the following areas.

### SSID

The wireless clients attempting to associate with the access point must use the same SSID as the access point. The default SSID is *tsunami* for both the 2.4-GHz and 5-GHz radios.



**Note**

The dual mode access point can support different SSIDs for the 2.4-GHz and 5-GHz radios.

**Draft Copy - CISCO CONFIDENTIAL**

## WEP Keys

The WEP key you use to transmit data must be set up exactly the same on your access point and any wireless devices with which it associates. For example, if you set WEP Key 3 on your wireless LAN adapter to 0987654321 and select it as the transmit key, you must also set WEP Key 3 on the access point to exactly the same value. The access point does not need to use Key 3 as its transmit key, however.

Refer to the *Cisco Aironet 1200 Series Access Point Software Configuration Guide* for instructions on setting the access point's WEP keys.

## Security Settings

Wireless clients attempting to authenticate with your access point must support the same security options configured in the access point, such as EAP or LEAP, MAC address authentication, Message Integrity Check (MIC), WEP key hashing, and 802.1X protocol versions.

**Note**

In the dual mode access point, the security settings can be different for the 2.4-GHz and the 5-GHz wireless LANs.

If a wireless client is unable to authenticate with your access point, contact the system administrator for proper security settings in the client adapter and for the wireless client adapter driver and firmware versions that are compatible with the access point settings.

Refer to the *Cisco Aironet 1200 Series Access Point Software Configuration Guide* for instructions on setting and verifying the access point's security options.

## Resetting to the Default Configuration

If you forget the password that allows you to configure the access point, you may need to completely reset the configuration. Follow the steps below to delete the current configuration and return all access point settings to the factory defaults.

**Note**

The following steps reset *all* configuration settings to factory defaults, including passwords, WEP keys, the IP address, and the SSID. If you do not need to reset the entire configuration, use the Configuration Reset buttons on the System Configuration Setup page in the web-browser interface. Consult the *Cisco Aironet 1200 Series Access Point Software Configuration Guide* for more information on the reset buttons in the Internet browser interface.

**Step 1**

Connect a DB-9 to RJ-45 serial cable (Cisco part number AIR-CONCAB1200) to the COM port on your computer and to the serial port on the back of the access point. For serial cable pinouts refer to [Appendix C, "Console Cable Pinouts."](#)

**Note**

Both the Ethernet and console ports use RJ-45 connectors. Be careful to avoid accidentally connecting the serial cable to the Ethernet port connector.

**Draft Copy - CISCO CONFIDENTIAL**

**Step 2** Open a terminal-emulation program on your computer.



---

**Note** These instructions describe Microsoft HyperTerminal; other programs are similar.

---

**Step 3** In the Connection Description window, enter a name and select an icon for the connection and click **OK**.

**Step 4** In the Connect To window, select the port to which the cable is connected and click **OK**.

**Step 5** In the Port Settings window, enter the following settings:

- Bits per second (baud rate): **9600**
- Data bits: **8**
- Parity: **No parity**
- Stop bits: **1**
- Flow control: **Xon/Xoff** or **None**

**Step 6** Click **OK**, and press **Enter**.

**Step 7** When the Summary Status screen appears, reboot the access point by unplugging the power connector or the Ethernet cable (when using in-line power) and then plugging it back in.

**Step 8** When the access point reboots and the Summary Status screen reappears, type **:resetall**, and press **Enter**.

**Step 9** Type **yes**, and press **Enter** to confirm the command.



---

**Note** The **resetall** command is valid for only 2 minutes immediately after the access point reboots. If you do not enter and confirm the **resetall** command during that 2-minute period, reboot the access point again.

---

**Step 10** After the access point reboots and the Express Setup screen appears, reconfigure the access point by using the terminal emulator or an Internet browser.

---

***Draft Copy - CISCO CONFIDENTIAL***



## Translated Safety Warnings

---

This appendix provides translations of the safety warnings that appear in this publication. These translated warnings apply to other documents in which they appear in English. The following safety warnings appear in this appendix:

- [Dipole Antenna Installation Warning, page A-2](#)
- [Explosive Device Proximity Warning, page A-3](#)
- [Installation and Grounding Warning, page A-4](#)
- [Lightning Activity Warning, page A-6](#)
- [Installation Warning, page A-7](#)
- [Circuit Breaker \(15A\) Warning, page A-8](#)

**Draft Copy - CISCO CONFIDENTIAL****Dipole Antenna Installation Warning****Warning**

In order to comply with FCC radio frequency (RF) exposure limits, dipole antennas should be located at a minimum of 7.9 inches (20 cm) or more from the body of all persons.

**Waarschuwing**

Om te voldoen aan de FCC radiofrequentie (RF) blootstellingslimieten dienen dipoolantennes zich minstens 20 cm of meer van de lichamen van alle personen bevinden.

**Varoitus**

FCC:n antamien radiotaajuuksille altistumista koskevien rajoitusten mukaan dipoli antennien on sijaittava vähintään 20 cm:n päässä kaikista henkilöistä.

**Attention**

Pour se conformer aux limites d'exposition à la fréquence radio préconisées par la FCC (Federal Communications Commission), les antennes dipôles doivent se situer à un minimum de 20 cm de toute personne.

**Warnung**

Um die in den FCC-Richtlinien festgelegten Expositionshöchstgrenzen für Radiofrequenzen (RF) nicht zu überschreiten, sollten Dipolantennen mindestens 20 cm (7,9 Zoll) vom Körper aller Person entfernt aufgestellt werden.

**Avvertenza**

Per conformarsi ai limiti FCC di esposizione a radiofrequenza (RF), le antenne a dipolo devono stare ad una distanza minima di 20 cm dal corpo di ogni persona.

**Advarsel**

I henhold til eksponeringsgrensene for radiofrekvenser (RF), skal dipole antenner befinne seg på en avstand av minst 20 cm eller mer fra mennesker.

**Aviso**

Para estar de acordo com as normas FCC de limites de exposição para frequência de rádio (RF), as antenas dipolo devem estar distantes no mínimo 20 cm (7,9 pol) do corpo de qualquer pessoa.

**¡Advertencia!**

Para cumplir con los límites de exposición de radio frecuencia (RF) de la Comisión Federal de Comunicaciones (FCC) es preciso ubicar las antenas dipolo a un mínimo de 20 cm (7,9 pulgadas) o más del cuerpo de las personas.

**Varning!**

För att följa FCC-exponeringsgränserna för radiofrekvens (RF), bör dipolantenner placeras på minst 20 cm avstånd från alla människor.

**Draft Copy - CISCO CONFIDENTIAL****Explosive Device Proximity Warning**


---

<b>Warning</b>	<b>Do not operate your wireless network device near unshielded blasting caps or in an explosive environment unless the device has been modified to be especially qualified for such use.</b>
<b>Waarschuwing</b>	<b>Gebruik dit draadloos netwerkkapparaat alleen in de buurt van onbeschermd ontstekers of in een omgeving met explosieven indien het apparaat speciaal is aangepast om aan de eisen voor een dergelijk gebruik te voldoen.</b>
<b>Varoitus</b>	<b>Älä käytä johdotonta verkkolaitetta suojaamattomien räjäytysnallien läheisyydessä tai räjäytysalueella, jos laitetta ei ole erityisesti muunnettu sopivaksi sellaiseen käyttöön.</b>
<b>Attention</b>	<b>Ne jamais utiliser un équipement de réseau sans fil à proximité d'un détonateur non blindé ou dans un lieu présentant des risques d'explosion, sauf si l'équipement a été modifié à cet effet.</b>
<b>Warnung</b>	<b>Benutzen Sie Ihr drahtloses Netzwerkgerät nicht in der Nähe ungeschützter Sprengkapseln oder anderer explosiver Stoffe, es sei denn, Ihr Gerät wurde eigens für diesen Gebrauch modifiziert und bestimmt.</b>
<b>Avvertenza</b>	<b>Non utilizzare la periferica di rete senza fili in prossimità di un detonatore non protetto o di esplosivi a meno che la periferica non sia stata modificata a tale proposito.</b>
<b>Advarsel</b>	<b>Ikke bruk den trådløse nettverksenheten nært inntil uisolerte fenghetter eller i et eksplosivt miljø med mindre enheten er modifisert slik at den tåler slik bruk.</b>
<b>Aviso</b>	<b>Não opere o dispositivo de rede sem fios perto de cápsulas explosivas não protegidas ou num ambiente explosivo, a não ser que o dispositivo tenha sido modificado para se qualificar especialmente para essa utilização.</b>
<b>¡Advertencia!</b>	<b>No utilizar un aparato de la red sin cable cerca de un detonador que no esté protegido ni tampoco en un entorno explosivo a menos que el aparato haya sido modificado con ese fin.</b>
<b>Varning!</b>	<b>Använd inte den trådlösa nätverksenheten i närheten av oskyddade tändhattar eller i en explosiv miljö om inte enheten modifierats för att kunna användas i sådana sammanhang.</b>

---

**Draft Copy - CISCO CONFIDENTIAL****Installation and Grounding Warning****Warning**

Do not locate the antenna near overhead power lines or other electric light or power circuits, or where it can come into contact with such circuits. When installing the antenna, take extreme care not to come into contact with such circuits, as they may cause serious injury or death. For proper installation and grounding of the antenna, please refer to national and local codes (e.g. U.S.:NFPA 70, National Electrical Code, Article 810, in Canada: Canadian Electrical Code, Section 54).

**Waarschuwing**

Zorg dat de antenne niet in de buurt wordt geplaatst van langs het plafond lopende stroomkabels of andere voorzieningen voor licht of elektriciteit of op een plaats waar contact met dergelijke stroomvoorzieningen mogelijk is. Wees bij het installeren van de antenne uiterst voorzichtig dat u niet in contact komt met hierboven vermelde stroomvoorzieningen, aangezien dit kan leiden tot ernstig lichamelijk of dodelijk letsel. Voor het juist installeren en aarden van de antenne, dient u de nationale en plaatselijke verordeningen te raadplegen (bijv. in de VS: NFPA 70, National Electrical Code, Article 810, in Canada: Canadian Electrical Code, Section 54).

**Varoitus**

Älä sijoita antennia lähelle voimajohtoja, muita sähkövalo- tai virtapiirejä tai paikkaa, jossa se voi joutua kosketuksiin sellaisten piirien kanssa. Kun asennat antennia, varo, ettet joudu kosketuksiin mainittujen piirien kanssa, sillä seurauksena voi olla vakava vamma tai kuolema. Katso antennin asennus- ja maadoitustiedot kansallisista ja paikallisista sähkösäännöksistä (esimerkiksi Yhdysvalloissa NFPA 70, National Electrical Code, Article 810 ja Kanadassa Canadian Electrical Code, Section 54).

**Attention**

Ne placez pas l'antenne à proximité d'une ligne aérienne ou d'autres circuits d'éclairage ou d'alimentation, ou dans un endroit où elle risque d'être en contact avec des circuits de ce type. Lors de son installation, assurez-vous bien qu'elle ne touche pas de tels circuits car cela risquerait d'entraîner des blessures graves voire mortelles. Pour une installation et mise à la terre correctes de l'antenne, veuillez consulter les codes nationaux et locaux (e. g. États-Unis : National Electrical Code, Article 810 ; Canada : Code électrique canadien, Section 54).

**Warnung**

Plazieren Sie die Antenne nicht in der Nähe von Starkstrom-Freileitungen oder Schwach- bzw. Starkstromkreisen oder an Stellen, wo sie damit in Kontakt kommen könnte. Gehen Sie bei der Installation der Antenne besonders vorsichtig vor, damit Sie nicht in Kontakt mit derartigen Stromkreisen kommen, da dies zu schweren Verletzungen sogar mit Todesfolge führen kann. Wenden Sie sich bitte an nationale und lokale Ämter für Elektrosicherheit, um die Antenne sachgerecht zu installieren und zu erden.

**Avvertenza**

Non sistemare l'antenna nelle vicinanze della circuiti elettrici generali o di altri circuiti di illuminazione o di alimentazione, o dove questa possa venire a contatto con tali circuiti. Durante l'installazione dell'antenna, prestare particolare attenzione a non entrare in contatto con tali circuiti, in quanto questo potrebbe provocare seri danni o morte. Per un'accurata installazione e sistemazione al suolo dell'antenna, fare riferimento ai codici nazionali e locali (es. U.S.A.: NFPA 70, Codice Elettrico Nazionale, Articolo 810, Canada: Codice Elettrico Canadese, Sezione 54).



***Draft Copy - CISCO CONFIDENTIAL***

- Advarsel** Plasser ikke antennen nær de overliggende strømledningene eller andre lys- eller strømkretser, eller der den kan komme i kontakt med slike kretser. Ved installering av antennen, må du være ytterst forsiktig slik at du ikke kommer i kontakt med slike kretser. Dette kan føre til alvorlig skade eller dødsfall. For riktig installasjon og jording av antennen, se statlige og lokale forskrifter (for eksempel i USA: NFPA 70, National Electrical Code, Article 810 og i Canada: Canadian Electrical Code, Section 54).
- Aviso** Não coloque a antena perto de linhas de alimentação, de outros circuitos ou onde possa entrar em contato com esses circuitos. Ao instalar a antena, tenha muito cuidado para não tocar nesses circuitos, visto que podem provocar ferimentos graves ou até a morte. Para obter informações sobre como instalar e aterrar corretamente a antena, consulte a legislação local e nacional (por ex., NFPA 70, National Electrical Code, Artigo 810, Canadá: Canadian Electrical Code, Seção 54).
- ¡Advertencia!** No coloque la antena cerca de cables de tendido eléctrico u otros circuitos, ni donde pueda entrar en contacto con dichos circuitos. Al instalar la antena, extreme las precauciones para no entrar en contacto con circuitos de esas características, ya que puede sufrir heridas graves e incluso la muerte. Para una correcta instalación y conexión a tierra de la antena, consulte los códigos nacionales y locales (p.ej., Estados Unidos: NFPA 70, National Electrical Code, Artículo 810, Canadá: Canadian Electrical Code, Apartado 54).
- Varning!** Placera inte antennen nära överhängande kraftledningar, andra elljus- eller strömkretsar eller där den kan komma i kontakt med sådana kretsar. Vid installation av antennen måste du vara mycket försiktig så att du inte kommer i kontakt med sådana kretsar, eftersom de kan orsaka allvarlig kroppsskada eller dödsfall. För riktig installation och jording av antennen, undersök landets and den lokala omgivningens koder (t.ex. U.S.: NFPA 70, National Electrical Code, Article 810, Canada: Canadian Electrical Code, Section 54).
-

***Draft Copy - CISCO CONFIDENTIAL*****Lightning Activity Warning**


---

<b>Warning</b>	<b>Do not work on the system or connect or disconnect cables during periods of lightning activity.</b>
<b>Waarschuwing</b>	<b>Tijdens onweer dat gepaard gaat met bliksem, dient u niet aan het systeem te werken of kabels aan te sluiten of te ontkoppelen.</b>
<b>Varoitus</b>	<b>Älä työskentele järjestelmän parissa äläkä yhdistä tai irrota kaapeleita ukkosilmalla.</b>
<b>Attention</b>	<b>Ne pas travailler sur le système ni brancher ou débrancher les câbles pendant un orage.</b>
<b>Warnung</b>	<b>Arbeiten Sie nicht am System und schließen Sie keine Kabel an bzw. trennen Sie keine ab, wenn es gewittert.</b>
<b>Avvertenza</b>	<b>Non lavorare sul sistema o collegare oppure scollegare i cavi durante un temporale con fulmini.</b>
<b>Advarsel</b>	<b>Utfør aldri arbeid på systemet, eller koble kabler til eller fra systemet når det tordner eller lyner.</b>
<b>Aviso</b>	<b>Não trabalhe no sistema ou ligue e desligue cabos durante períodos de mau tempo (trovoada).</b>
<b>¡Advertencia!</b>	<b>No operar el sistema ni conectar o desconectar cables durante el transcurso de descargas eléctricas en la atmósfera.</b>
<b>Varning!</b>	<b>Vid åska skall du aldrig utföra arbete på systemet eller ansluta eller koppla loss kablar.</b>

---

**Draft Copy - CISCO CONFIDENTIAL**

# Installation Warning



---

<b>Warning</b>	<b>Read the installation instructions before you connect the system to its power source.</b>
<b>Waarschuwing</b>	<b>Raadpleeg de installatie-aanwijzingen voordat u het systeem met de voeding verbindt.</b>
<b>Varoitus</b>	<b>Lue asennusohjeet ennen järjestelmän yhdistämistä virtälähteeseen.</b>
<b>Attention</b>	<b>Avant de brancher le système sur la source d'alimentation, consulter les directives d'installation.</b>
<b>Warnung</b>	<b>Lesen Sie die Installationsanweisungen, bevor Sie das System an die Stromquelle anschließen.</b>
<b>Avvertenza</b>	<b>Consultare le istruzioni di installazione prima di collegare il sistema all'alimentatore.</b>
<b>Advarsel</b>	<b>Les installasjonsinstruksjonene før systemet kobles til strømkilden.</b>
<b>Aviso</b>	<b>Leia as instruções de instalação antes de ligar o sistema à sua fonte de energia.</b>
<b>¡Advertencia!</b>	<b>Ver las instrucciones de instalación antes de conectar el sistema a la red de alimentación.</b>
<b>Varning!</b>	<b>Läs installationsanvisningarna innan du kopplar systemet till dess strömförsörjningsenhet.</b>

---

**Draft Copy - CISCO CONFIDENTIAL****Circuit Breaker (15A) Warning****Warning**

This product relies on the building's installation for short-circuit (overcurrent) protection. Ensure that a fuse or circuit breaker no larger than 120 VAC, 15A U.S. (240 VAC, 10A international) is used on the phase conductors (all current-carrying conductors).

**Waarschuwing**

Dit produkt is afhankelijk van de installatie van het gebouw voor kortsluit- (overstroom)beveiliging. Controleer of er een zekering of stroomverbreker van niet meer dan 120 Volt wisselstroom, 15 A voor de V.S. (240 Volt wisselstroom, 10 A internationaal) gebruikt wordt op de fasegeleiders (alle geleiders die stroom voeren).

**Varoitus**

Tämä tuote on riippuvainen rakennukseen asennetusta oikosulkusuojuuksesta (ylivirtasuojauksesta). Varmista, että vaihevirtajohtimissa (kaikissa virroitetuissa johtimissa) käytetään Yhdysvalloissa alle 120 voltin, 15 ampeerin ja monissa muissa maissa 240 voltin, 10 ampeerin sulaketta tai suojakytintä.

**Attention**

Pour ce qui est de la protection contre les courts-circuits (surtension), ce produit dépend de l'installation électrique du local. Vérifier qu'un fusible ou qu'un disjoncteur de 120 V alt., 15 A U.S. maximum (240 V alt., 10 A international) est utilisé sur les conducteurs de phase (conducteurs de charge).

**Warnung**

Dieses Produkt ist darauf angewiesen, daß im Gebäude ein Kurzschluß- bzw. Überstromschutz installiert ist. Stellen Sie sicher, daß eine Sicherung oder ein Unterbrecher von nicht mehr als 240 V Wechselstrom, 10 A (bzw. in den USA 120 V Wechselstrom, 15 A) an den Phasenleitern (allen stromführenden Leitern) verwendet wird.

**Avvertenza**

Questo prodotto dipende dall'installazione dell'edificio per quanto riguarda la protezione contro cortocircuiti (sovracorrente). Verificare che un fusibile o interruttore automatico, non superiore a 120 VCA, 15 A U.S. (240 VCA, 10 A internazionale) sia stato usato nei fili di fase (tutti i conduttori portatori di corrente).

**Advarsel**

Dette produktet er avhengig av bygningens installasjoner av kortslutningsbeskyttelse (overstrøm). Kontroller at det brukes en sikring eller strømbryter som ikke er større enn 120 VAC, 15 A (USA) (240 VAC, 10 A internasjonalt) på faselederne (alle strømførende ledere).

**Aviso**

Este produto depende das instalações existentes para protecção contra curto-circuito (sobrecarga). Assegure-se de que um fusível ou disjuntor não superior a 240 VAC, 10A é utilizado nos condutores de fase (todos os condutores de transporte de corrente).

**¡Advertencia!**

Este equipo utiliza el sistema de protección contra cortocircuitos (o sobrecorrientes) del propio edificio. Asegurarse de que se utiliza un fusible o interruptor automático de no más de 240 voltios en corriente alterna (VAC), 10 amperios del estándar internacional (120 VAC, 15 amperios del estándar USA) en los hilos de fase (todos aquellos portadores de corriente).

**Varning!**

Denna produkt är beroende av i byggnaden installerat kortslutningsskydd (överströmsskydd). Kontrollera att säkring eller överspänningsskydd används på fasledarna (samtliga strömförande ledare) för internationellt bruk max. 240 V växelström, 10 A (i USA max. 120 V växelström, 15 A).



## Declarations of Conformity and Regulatory Information

---

This appendix provides declarations of conformity and regulatory information for the Cisco Aironet 1200 Series Access Points.

This appendix contains the following sections:

- [Manufacturers Federal Communication Commission Declaration of Conformity Statement](#)
- [Department of Communications—Canada](#)
- [European Community, Switzerland, Norway, Iceland, and Liechtenstein](#)
- [Declaration of Conformity for RF Exposure](#)
- [Guidelines for Operating Cisco Aironet Access Points in Japan](#)

**Draft Copy - CISCO CONFIDENTIAL**

# Manufacturers Federal Communication Commission Declaration of Conformity Statement



<b>Models:</b>	AIR-AP1200 with AIR-MP20B-A-K9 and/or AIR-RM20A-A-K9, AIR-AP1220B-A-K9, AIR AP1220A-A-K9
<b>FCC Certification number:</b>	LDK 102042 (AIR-MP20B-A-K9) LDK 102045 (AIR-RM20A-A-K9)
<b>Manufacturer:</b>	Cisco Systems, Inc. 170 West Tasman Drive San Jose, CA 95134-1706 USA

This device complies with Part 15 rules. Operation is subject to the following two conditions:

1. This device may not cause harmful interference, and
2. This device must accept any interference received, including interference that may cause undesired operation.

This equipment has been tested and found to comply with the limits of a Class B digital device, pursuant to Part 15 of the FCC Rules. These limits are designed to provide reasonable protection against harmful interference when the equipment is operated in a residential environment. This equipment generates, uses, and radiates radio frequency energy, and if not installed and used in accordance with the instructions, may cause harmful interference. However, there is no guarantee that interference will not occur. If this equipment does cause interference to radio or television reception, which can be determined by turning the equipment off and on, the user is encouraged to correct the interference by one of the following measures:

- Reorient or relocate the receiving antenna.
- Increase separation between the equipment and receiver.
- Connect the equipment to an outlet on a circuit different from which the receiver is connected.
- Consult the dealer or an experienced radio/TV technician.

**Caution**


---

The Part 15 radio device operates on a non-interference basis with other devices operating at this frequency when using integrated antennas or those listed in [Table B-1](#). Any changes or modification to the product not expressly approved by Cisco could void the user's authority to operate this device.

---

**Caution**


---

Within the 5.15-5.25 GHz band (5 GHz radio channels 34-48) the U-NII devices are restricted to indoor operations to reduce any potential for harmful interference to co-channel Mobile Satellite System (MSS) operations.

---

**Draft Copy - CISCO CONFIDENTIAL****Table B-1 Access Point 2.4-GHz Antennas**

<b>Cisco Part Number</b>	<b>Model</b>	<b>Gain</b>
AIR-ANT1949	Yagi	13.5
AIR-ANT4121	Omni-directional	12.0
AIR-ANT3549	Patch	8.5
AIR-ANT2012	Spatial diversity	6.5
AIR-ANT1729	Patch	6.0
AIR-ANT2506	Omni-directional	5.1
AIR-ANT3213	Omni-directional	5.0
AIR-ANT1728	Omni-directional	5.0
AIR-ANT3195	Patch	3.0
AIR-ANT5959	Omni-directional	2.0
AIR-ANT4941	Dipole	2.2

## Department of Communications—Canada

### Canadian Compliance Statement

This Class B Digital apparatus meets all the requirements of the Canadian Interference-Causing Equipment Regulations.

Cet appareil numérique de la classe B respecte les exigences du Règlement sur le matériel brouilleur du Canada.

This device complies with Class B Limits of Industry Canada. Operation is subject to the following two conditions:

1. This device may not cause harmful interference, and
2. This device must accept any interference received, including interference that may cause undesired operation.

Cisco Aironet 11-Mbps, 2.4-GHz Access Points are certified to the requirements of RSS-139-1 and RSS-210 for 2.4-GHz spread spectrum devices, and Cisco Aironet 54-Mbps, 5-GHz Access Points are certified to the requirements of RSS-210 for 5-GHz spread spectrum devices. The use of this device in a system operating either partially or completely outdoors may require the user to obtain a license for the system according to the Canadian regulations. For further information, contact your local Industry Canada office.

**Draft Copy - CISCO CONFIDENTIAL****European Community, Switzerland, Norway, Iceland, and Liechtenstein****Declaration of Conformity with Regard to the R&TTE Directive 1999/5/EC**

English:	This equipment is in compliance with the essential requirements and other relevant provisions of Directive 1999/5/EC.
Deutsch:	Dieses Gerät entspricht den grundlegenden Anforderungen und den weiteren entsprechenden Vorgaben der Richtlinie 1999/5/EU.
Dansk:	Dette udstyr er i overensstemmelse med de væsentlige krav og andre relevante bestemmelser i Direktiv 1999/5/EF.
Español:	Este equipo cumple con los requisitos esenciales así como con otras disposiciones de la Directiva 1999/5/EC.
Ελληνας:	Αυτός ο εξοπλισμός συμμορφώνεται με τις ουσιώδεις απαιτήσεις και τις λοιπές διατάξεις της Οδηγίας 1999/5/ΕΚ.
Français:	Cet appareil est conforme aux exigences essentielles et aux autres dispositions pertinentes de la Directive 1999/5/EC.
Íslenska:	Þessi búnaður samrýmist lögboðnum kröfum og öðrum ákvæðum tilskipunar 1999/5/ESB.
Italiano:	Questo apparato é conforme ai requisiti essenziali ed agli altri principi sanciti dalla Direttiva 1999/5/EC.
Nederlands:	Deze apparatuur voldoet aan de belangrijkste eisen en andere voorzieningen van richtlijn 1999/5/EC.
Norsk:	Dette utstyret er i samsvar med de grunnleggende krav og andre relevante bestemmelser i EU-direktiv 1999/5/EC.
Português:	Este equipamento satisfaz os requisitos essenciais e outras provisões da Directiva 1999/5/EC.
Suomalainen:	Tämä laite täyttää direktiivin 1999/5/EY oleelliset vaatimukset ja on siinä asetettujen muidenkin ehtojen mukainen.
Svenska:	Denna utrustning är i överensstämmelse med de väsentliga kraven och andra relevanta bestämmelser i Direktiv 1999/5/EC.



**Draft Copy - CISCO CONFIDENTIAL**

The Declaration of Conformity related to this product can be found at the following URL:

<http://www.ciscofax.com>

For 11 Mbps, 2.4 GHz access points with 100 mW radios, the following standards were applied:

- Radio: EN 300.328-1, EN 300.328-2
- EMC: EN 301.489-1, EN 301.89-17
- Safety: EN 60950

The following CE mark is affixed to the 11 Mbps, 2.4 GHz access points with 100 mW radios:

**Note**

This equipment is intended to be used in all EU and EFTA countries. Outdoor use may be restricted to certain frequencies and/or may require a license for operation. For more details, contact Cisco Corporate Compliance.

**Note**

Combinations of power levels and antennas resulting in a radiated power level above 100 mW equivalent isotropic radiated power (EIRP) are considered as not compliant with the above mentioned directive and are not allowed for use within the European community and other countries that have adopted the European R&TTE directive 1999/5/EC or the CEPT recommendation Rec 70.03 or both. For more details on legal combinations of power levels and antennas, refer to the *Cisco Aironet 1200 Series Access Point Software Configuration Guide*.

For 54 Mbps, 5 GHz access points with 40 mW radios, the following standards were applied:

- Radio: EN 301.893
- EMC: EN 301.489-1, EN 301.489-17
- Safety: EN 60950

The following CE mark is affixed to the 54 Mbps, 5 GHz access points with 40 mW radios:



**Draft Copy - CISCO CONFIDENTIAL**

## Declaration of Conformity for RF Exposure

The radio module has been found to be compliant to the requirements set forth in CFR 47 Sections 2.1091, 2.1093, and 15.247 (b) (4) addressing RF Exposure from radio frequency devices as defined in Evaluating Compliance with FCC Guidelines for Human Exposure to Radio Frequency Electromagnetic Fields. For antennas, AIR-ANT4121 and AIR-ANT1949, the equipment should be positioned more than 2 m from your body or nearby persons. For all other approved antennas the equipment should be installed more than 20 cm from your body or nearby persons.

The access point (with 5 GHz integrated antenna) must be installed to maintain a minimum 20 cm (7.9 in) co-located separation distance from other FCC approved indoor/outdoor antennas used with the access point. Any antennas or transmitters not approved by the FCC cannot be co-located with the access point antennas. The access point's co-located 2.4 GHz (2.2 dBi) and 5 GHz integrated antennas support a minimum separation distance of 10 cm (3.9 in) and are compliant with the applicable FCC RF exposure limit when transmitting simultaneously.

**Note**

Dual antennas used for diversity operation are not considered co-located.

## Guidelines for Operating Cisco Aironet Access Points in Japan

This section provides guidelines for avoiding interference when operating Cisco Aironet access points in Japan. These guidelines are provided in both Japanese and English.

### Japanese Translation

この機器の使用周波数帯では、電子レンジ等の産業・科学・医療用機器のほか工場の製造ライン等で使用されている移動体識別用の構内無線局（免許を要する無線局）及び特定小電力無線局（免許を要しない無線局）が運用されています。

- 1 この機器を使用する前に、近くで移動体識別用の構内無線局及び特定小電力無線局が運用されていないことを確認して下さい。
- 2 万一、この機器から移動体識別用の構内無線局に対して電波干渉の事例が発生した場合には、速やかに使用周波数を変更するか又は電波の発射を停止した上、下記連絡先にご連絡頂き、混信回避のための処置等(例えば、パーティションの設置など)についてご相談して下さい。
- 3 その他、この機器から移動体識別用の特定小電力無線局に対して電波干渉の事例が発生した場合など何かお困りのことが起きたときは、次の連絡先へお問い合わせ下さい。

連絡先 : 03-5549-6500

43768

***Draft Copy - CISCO CONFIDENTIAL*****English Translation**

This equipment operates in the same frequency bandwidth as industrial, scientific, and medical devices such as microwave ovens and mobile object identification (RF-ID) systems (licensed premises radio stations and unlicensed specified low-power radio stations) used in factory production lines.

1. Before using this equipment, make sure that no premises radio stations or specified low-power radio stations of RF-ID are used in the vicinity.
2. If this equipment causes RF interference to a premises radio station of RF-ID, promptly change the frequency or stop using the device; contact the number below and ask for recommendations on avoiding radio interference, such as setting partitions.
3. If this equipment causes RF interference to a specified low-power radio station of RF-ID, contact the number below.

Contact Number: 03-5549-6500



## Console Cable Pinouts

---

This appendix identifies the pinouts for the serial console cable that connects to the access point's serial console port. The appendix contains the following sections:

[Overview, page C-2](#)

[Console Port Signals and Pinouts, page C-2](#)

**Draft Copy - CISCO CONFIDENTIAL**

# Overview

The access point requires a special serial cable that connects the access point serial console port (RJ-45 connector) to your PC's COM port (DB-9 connector). This cable can be purchased from Cisco (part number AIR-CONCAB1200) or can be built using the pinouts in this appendix.

## Console Port Signals and Pinouts

Use the console RJ-45 to DB-9 serial cable to connect the access point's console port to the COM port of your PC running a terminal emulation program.

**Note**

Both the Ethernet and console ports use RJ-45 connectors. Be careful to avoid accidentally connecting the serial cable to the Ethernet port connector.

Table C-1 lists the signals and pinouts for the console RJ-45 to DB-9 serial cable.

**Table C-1 Signals and Pinouts for a Console RJ-45 to DB-9 Serial Cable**

Console Port		PC COM Port	
RJ-45		DB-9	
Pins	Signals <sup>1</sup>	Pins	Signals
-	-	9	RI
1	NC	8	CTS
2	NC	7	DSR
3	TXD	6	RXD
4	GND	5	GND
5	GND	4	GND
6	RXD	3	TXD
7	NC	2	DTR
8	NC	1	RTS

1. NC indicates not connected.



- 802.11** The IEEE standard that specifies carrier sense media access control and physical layer specifications for 1- and 2-megabit-per-second (Mbps) wireless LANs operating in the 2.4 GHz band.
- 802.11a** The IEEE standard that specifies carrier sense media access control and physical layer specifications for wireless LANs operating in the 5-GHz frequency band.
- 802.11b** The IEEE standard that specifies carrier sense media access control and physical layer specifications for 5.5 and 11 Mbps wireless LANs operating in the 2.4-GHz frequency band.

---

## A

- Access Point** A wireless LAN data transceiver that uses radio waves to connect a wired network with wireless stations.
- Ad Hoc Network** A wireless network composed of stations without Access Points.
- Antenna Gain** The gain of an antenna is a measure of the antenna's ability to direct or focus radio energy over a region of space. High gain antennas have a more focused radiation pattern in a specific direction.
- Associated** A station is configured properly to allow it to wirelessly communicate with an Access Point.

---

## B

- Beacon** A wireless LAN packet that signals the availability and presence of the wireless device. Beacon packets are sent by access points and base stations; however, client radio cards send beacons when operating in computer to computer (Ad Hoc) mode.
- BOOTP** Boot Protocol. A protocol used for the static assignment of IP addresses to devices on the network.
- BPSK** A modulation technique used by IEEE 802.11b-compliant wireless LANs for transmission at 1 Mbps.
- Broadcast Packet** A single data message (packet) sent to all addresses on the same subnet.

---

**C**

- CCK** Complementary code keying. A modulation technique used by IEEE 802.11b-compliant wireless LANs for transmission at 5.5 and 11 Mbps.
- Cell** The area of radio range or coverage in which the wireless devices can communicate with the base station. The size of the cell depends upon the speed of the transmission, the type of antenna used, and the physical environment, as well as other factors.
- Client** A radio device that uses the services of an Access Point to communicate wirelessly with other devices on a local area network.
- CSMA** Carrier sense multiple access. A wireless LAN media access method specified by the IEEE 802.11 specification.

---

**D**

- Data Rates** The range of data transmission rates supported by a device. Data rates are measured in megabits per second (Mbps).
- dBi** A ratio of decibels to an isotropic antenna that is commonly used to measure antenna gain. The greater the dBi value, the higher the gain, and the more acute the angle of coverage.
- DHCP** Dynamic host configuration protocol. A protocol available with many operating systems that automatically issues IP addresses within a specified range to devices on the network. The device retains the assigned address for a specific administrator-defined period.
- Dipole** A type of low-gain (2.2-dBi) antenna consisting of two (often internal) elements.
- Domain Name** The text name that refers to a grouping of networks or network resources based on organization-type or geography; for example: name.com—commercial; name.edu—educational; name.gov—government; ISPname.net—network provider (such as an ISP); name.ar—Argentina; name.au—Australia; and so on.
- DNS** Domain Name System server. A server that translates text names into IP addresses. The server maintains a database of host alphanumeric names and their corresponding IP addresses.
- DSSS** Direct sequence spread spectrum. A type of spread spectrum radio transmission that spreads its signal continuously over a wide frequency band.

---

**E**

- EAP** Extensible Authentication Protocol. An optional IEEE 802.1x security feature ideal for organizations with a large user base and access to an EAP-enabled Remote Authentication Dial-In User Service (RADIUS) server.
- Ethernet** The most widely used wired local area network. Ethernet uses carrier sense multiple access (CSMA) to allow computers to share a network and operates at 10, 100, or 1000 Mbps, depending on the physical layer used.

---

**F**

- File Server** A repository for files so that a local area network can share files, mail, and programs.
- Firmware** Software that is programmed on a memory chip.

---

**G**

- Gateway** A device that connects two otherwise incompatible networks together.
- GHz** Gigahertz. One billion cycles per second. A unit of measure for frequency.

---

**I**

- IEEE** Institute of Electrical and Electronic Engineers. A professional society serving electrical engineers through its publications, conferences, and standards development activities. The body responsible for the Ethernet 802.3 and wireless LAN 802.11 specifications.
- Infrastructure** The wired Ethernet network.
- IP Address** The Internet Protocol (IP) address of a station.
- IP Subnet Mask** The number used to identify the IP subnetwork, indicating whether the IP address can be recognized on the LAN or if it must be reached through a gateway. This number is expressed in a form similar to an IP address; for example: 255.255.255.0.
- Isotropic** An antenna that radiates its signal 360 degrees both vertically and horizontally in a perfect sphere.



---

**M**

- MAC** Media Access Control address. A unique 48-bit number used in Ethernet data packets to identify an Ethernet device, such as an access point or your client adapter.
- Modulation** Any of several techniques for combining user information with a transmitter's carrier signal.
- Multipath** The echoes created as a radio signal bounces off of physical objects.
- Multicast Packet** A single data message (packet) sent to multiple addresses.

---

**O**

- Omni-directional** This typically refers to a primarily circular antenna radiation pattern.
- Orthogonal Frequency Division Multiplex (OFDM)** A modulation technique used by IEEE 802.11a-compliant wireless LANs for transmission at 6, 9, 12, 18, 24, 36, 48, and 54 Mbps.

---

**P**

- Packet** A basic message unit for communication across a network. A packet usually includes routing information, data, and sometimes error detection information.

---

**Q**

- Quadruple Phase Shift Keying** A modulation technique used by IEEE 802.11b-compliant wireless LANs for transmission at 2 Mbps.

---

**R**

- Range** A linear measure of the distance that a transmitter can send a signal.
- Receiver Sensitivity** A measurement of the weakest signal a receiver can receive and still correctly translate it into data.
- RF** Radio frequency. A generic term for radio-based technology.

<b>Roaming</b>	A feature of some Access Points that allows users to move through a facility while maintaining an unbroken connection to the LAN.
<b>RP-TNC</b>	A connector type unique to Cisco Aironet radios and antennas. Part 15.203 of the FCC rules covering spread spectrum devices limits the types of antennas that may be used with transmission equipment. In compliance with this rule, Cisco Aironet, like all other wireless LAN providers, equips its radios and antennas with a unique connector to prevent attachment of non-approved antennas to radios.

---

**S**

<b>Spread Spectrum</b>	A radio transmission technology that spreads the user information over a much wider bandwidth than otherwise required in order to gain benefits such as improved interference tolerance and unlicensed operation.
<b>SSID</b>	Service Set Identifier (also referred to as Radio Network Name). A unique identifier used to identify a radio network and which stations must use to be able to communicate with each other or to an access point. The SSID can be any alphanumeric entry up to a maximum of 32 characters.

---

**T**

<b>Transmit Power</b>	The power level of radio transmission.
-----------------------	--

---

**U**

<b>UNII</b>	Unlicensed National Information Infrastructure—regulations for UNII devices operating in the 5.15 to 5.35 GHz and 5.725 to 5.825 GHz frequency bands.
<b>UNII-1</b>	Regulations for UNII devices operating in the 5.15 to 5.25 GHz frequency band.
<b>UNII-2</b>	Regulations for UNII devices operating in the 5.25 to 5.35 GHz frequency band.
<b>UNII-3</b>	Regulations for UNII devices operating in the 5.725 to 5.825 GHz frequency band.
<b>Unicast Packet</b>	A single data message (packet) sent to a specific IP address.

---

**W**

<b>WEP</b>	Wired Equivalent Privacy. An optional security mechanism defined within the 802.11 standard designed to make the link integrity of wireless devices equal to that of a cable.
<b>Workstation</b>	A computing device with an installed client adapter.



---

## **A**

access point/root [3-7, 3-8, 3-11, 3-12](#)  
antenna  
    connectors [1-4, 1-11](#)  
    safety guidelines [2-2](#)  
    warnings [A-1](#)  
audience [vii](#)

---

## **B**

basic settings  
    checking [7-3](#)  
    default [3-13](#)  
    entering [3-6, 3-9](#)  
BOOTP [3-7, 3-10](#)

---

## **C**

caution [viii](#)  
central unit [1-9](#)  
Cisco TAC [7-1](#)  
client/non-root [3-7, 3-8, 3-11, 3-12](#)  
configuration  
    basic [3-1](#)  
    server [3-7, 3-10](#)  
    summary [3-2](#)  
connecting cables [2-10](#)  
connectors [1-4, 1-10, 1-11, 3-9](#)  
console port [1-4, 3-9, C-2](#)  
conventions, document [viii](#)  
coverage, minimal overlap [2-5](#)

---

## **D**

data rates [1-11, 2-6](#)  
declarations of conformity [B-1](#)  
default  
    configuration, resetting [7-4](#)  
    gateway [3-7, 3-11](#)  
    settings [3-13](#)  
DHCP [3-2, 3-7, 3-10](#)  
documentation  
    conventions [viii](#)  
    related publications [viii](#)

---

## **E**

ensure compatibility setting [3-8, 3-12](#)  
environmental air space [1-4](#)  
environmental conditions [2-6](#)  
Ethernet indicator [7-2](#)  
Ethernet port [1-4](#)  
express setup [3-2, 3-6](#)  
extended temperature range [2-4](#)

---

## **F**

FCC Declaration of Conformity [B-2](#)  
FCC Safety Compliance [2-2](#)  
feedback [x](#)  
fire resistance [1-4](#)  
frequency range [1-10](#)

**Draft Copy - CISCO CONFIDENTIAL****G**

guidelines [2-4](#)

**I**

indicators [1-5, 7-2](#)

inline power [1-3](#)

input power [1-10](#)

installation guidelines [2-4](#)

Internet browser [3-6](#)

IP address, finding and setting [3-3](#)

IPSU [3-3](#)

**L**

LAN transceiver [1-1](#)

LED indicators

Ethernet [7-2](#)

radio traffic [7-2](#)

status [7-2](#)

**M**

MAC [3-4, 3-5](#)

modulation [1-11](#)

**N**

network configurations [1-7](#)

**O**

obtaining

documentation [viii, x](#)

technical assistance [x](#)

operating temperature [1-10](#)

optimize radio network [3-8, 3-11, 3-12](#)

**P**

package contents [2-7](#)

password reset [7-4](#)

pinouts, serial cable [C-2](#)

ports, Ethernet and serial [1-4](#)

power

connecting [2-9](#)

injector [2-9](#)

inline [1-3](#)

input [1-10](#)

output [1-10](#)

power injector [1-3](#)

**R**

radio

indicator [7-2](#)

range [1-11, 3-8, 3-11, 3-12](#)

regulatory [B-1](#)

related publications [viii](#)

repeater/non-root [3-7, 3-8, 3-11, 3-12](#)

repeater operation [1-8](#)

RF exposure [B-5](#)

RJ-45 connectors [1-3](#)

roaming [2-5, 2-6](#)

role, radio network [3-7, 3-8, 3-11, 3-12, 3-13](#)

root unit [1-7](#)

**S**

safety warnings, translated [A-1](#)

seamless roaming [2-5](#)

serial

cable [1-4, 3-9, C-2](#)

Cisco cable [7-4, C-2](#)

connecting cable [3-9](#)

console port [3-9](#)

interface [3-9](#)

**Draft Copy - CISCO CONFIDENTIAL**

port [1-4](#)  
 site survey [2-6](#)  
 size [1-10](#)  
 SNMP [3-8, 3-12, 3-13](#)  
 specifications [1-10](#)  
 SSID  
     before you start [3-2](#)  
     default value [3-13](#)  
     troubleshooting [7-3](#)  
     using an Internet browser [3-7, 3-8](#)  
     using the console port [3-11, 3-12](#)  
 status indicators [1-10, 7-2](#)  
 storage temperature [1-10](#)  
 subnet mask [3-7, 3-11](#)  
 system name [3-13](#)

---

**T**

TAC [7-1](#)  
 technical assistance [x](#)  
 Technical Assistance Center (TAC) [xi](#)  
 temperature  
     operating [1-10](#)  
     storage [1-10](#)  
 terminal emulator [3-2, 3-9](#)  
 terminal type [3-13](#)  
 throughput [3-8, 3-11, 3-12](#)  
 troubleshooting [7-1](#)

---

**U**

Unlicensed National Information Infrastructure  
     (UNII) [1-2](#)  
 unpacking [2-6](#)

---

**V**

voltage range [1-10](#)

---

**W**

warnings [viii, 2-3, A-1](#)  
 web site  
     Cisco [ix](#)  
     Cisco Software Center [3-3](#)  
     Technical Assistance Center (TAC) [xi](#)  
 weight [1-10](#)  
 WEP key [7-4](#)

***Draft Copy - CISCO CONFIDENTIAL***