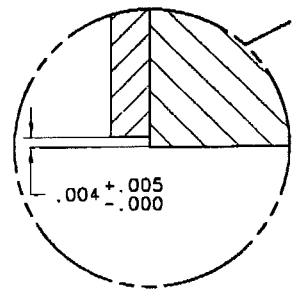
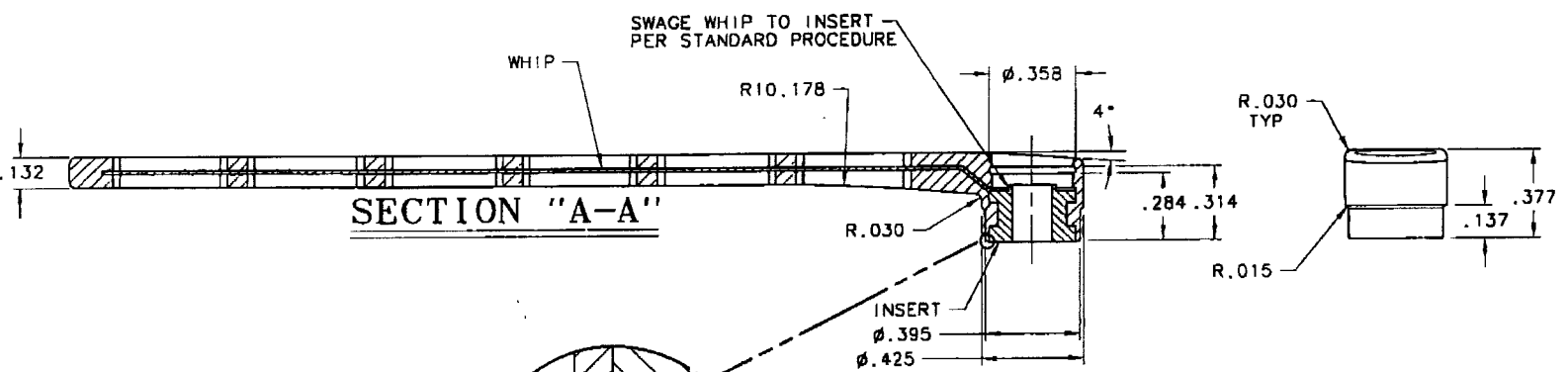


- NOTES: (UNLESS OTHERWISE SPECIFIED).
1. MATERIAL: RUBBER SANTOPRENE, 221-80 DARK GRAY.
 2. FINISH: SPI D-3
 3. FLASH: .015 MAX.
 4. DEGATE: ±.015 MAX.
 5. EJECTOR MARKS: ±.010 MAX.
 6. CORNERS AND FILLETS SHOWN SHARP: .015 MAX.
 7. SINK: .015 MAX.
 8. PART(S) SHALL BE PACKAGED FOR SHIPMENT AND/OR OR STORAGE IN A CLEAN PROTECTIVE CONTAINER.



DOCUMENT
NOV 18 1997
CONTROL

-	B	1182	JMD	MAINTENANCE RELEASE	11/18/97
-	A	1063	JMS	PRODUCTION RELEASE	ER 7/11/97
ZONE	REV.	ECD	BY	DESCRIPTION	APP. DATE
DRAFTER	J. SPANN	DATE	7/8/97	TITLE	ANTENNA, WHIP, XC6, RAM
CHECKER	Q. S. [signature]	DATE	11/18/97	SIZE	B
REC. ENG		DATE		DWG. NO	47-0055-001
MECH. ENG	E. RYAN	DATE	7/11/97	PROJECT	SUPERSEDES
MEG. ENG	JOHN BLAIR	DATE	7-21-97	SCALE	NONE
				SHEET	1 of 3
				REV	B

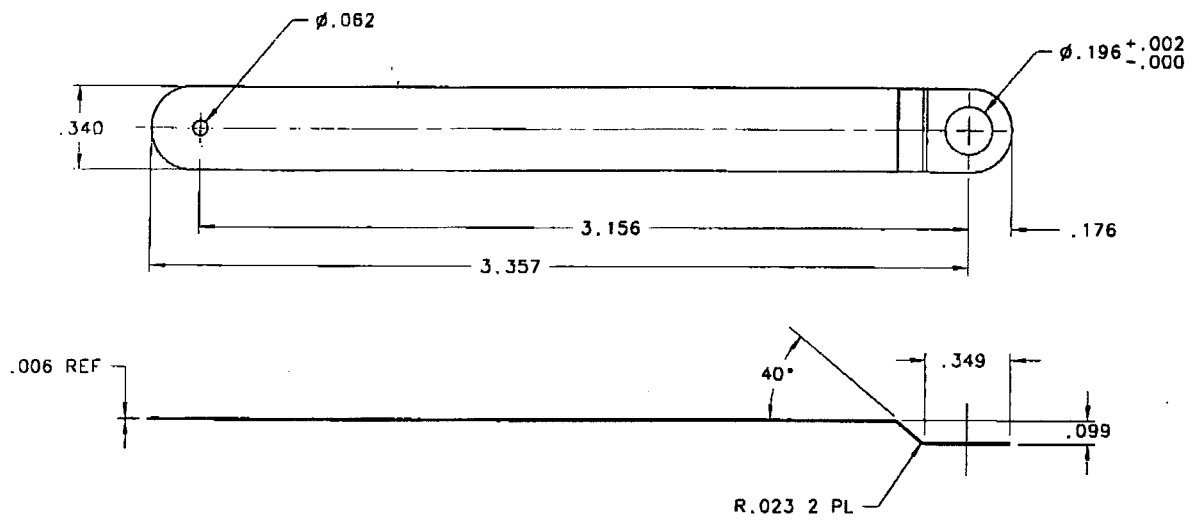
UNLESS OTHERWISE SPECIFIED, DIMENSIONS IN INCHES
DO NOT SCALE DRAWING

NOTICE OF PROPRIETARY INFORMATION
INFORMATION CONTAINED HEREIN IS PROPRIETARY AND
IS PROPERTY OF VORONIX CORP. WHERE FURNISHED
WITH A PROPOSAL, THE RECIPIENT SHALL USE IT
SOLELY TO EVALUATE THE PROPOSAL. WHERE FURNISHED
TO A CUSTOMER IT SHALL BE USED SOLELY FOR
PURPOSES OF INSPECTION, INSTALLATION, OR
MAINTENANCE. WHERE FURNISHED TO A SUPPLIER, IT
SHALL BE USED SOLELY IN THE PERFORMANCE OF THE
WORK CONTRACTED FOR BY THIS COMPANY. THE
INFORMATION SHALL NOT BE USED OR DISCLOSED BY
THE RECIPIENT FOR ANY OTHER PURPOSE WHATSOEVER.

UNLESS OTHERWISE NOTED
ALL DIMENSIONS IN INCHES
UNLESS OTHERWISE NOTED
ALL DIMENSIONS IN INCHES
UNLESS OTHERWISE NOTED
ALL DIMENSIONS IN INCHES

THIRD ANGLE
PREDILECTION

ETRONIX
5,001 STEVENS, P.O. BOX 179
SPOKANE, WA 99216



NOTES: (UNLESS OTHERWISE SPECIFIED).

1. MATERIAL: STAINLESS STEEL, FULL HARD, .006 THICK.
2. DEBBUR AND BREAK SHARP EDGES.

UNLESS OTHERWISE SPECIFIED, DIMENSIONS IN INCHES
DO NOT SCALE DRAWING

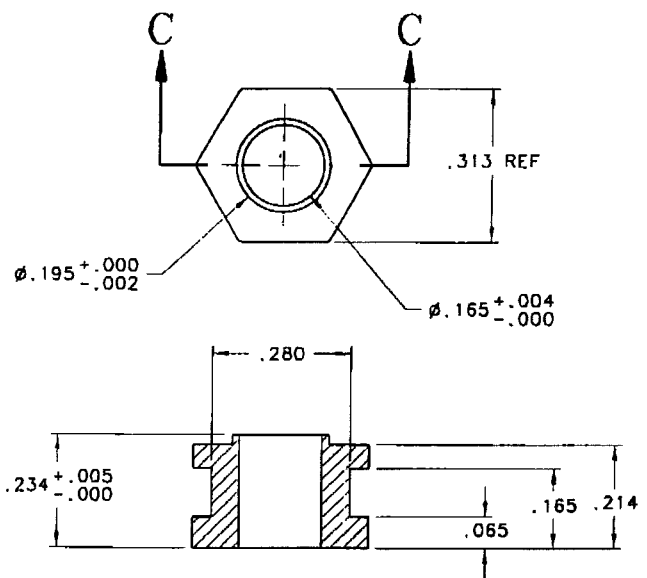
NOTICE OF PROPRIETARY INFORMATION
INFORMATION CONTAINED HEREIN IS PROPRIETARY AND IS PROPERTY OF TROPIX CORP. WHERE FURNISHED WITH A PROPOSAL, THE RECIPIENT SHALL USE IT SOLELY TO EVALUATE THE PROPOSAL. WHERE FURNISHED TO A CUSTOMER IT SHALL BE USED SOLELY FOR PURPOSES OF INSPECTION, INSTALLATION, OR MAINTENANCE. WHERE FURNISHED TO A SUPPLIER, IT SHALL BE USED SOLELY IN THE PERFORMANCE OF THE WORK CONTRACTED FOR BY THIS COMPANY. THE INFORMATION SHALL NOT BE USED OR DISCLOSED BY THE RECIPIENT FOR ANY OTHER PURPOSE WHATSOEVER.

TOL., EXCEPT AS NOTED
- XX ± 01 INCH
- XX ± .005 INCH
- XX - 1"
- SEE DIMENSIONS NOT TO SCALE

THIRD ANGLE PROJECTION

TROPIX
5.901 SIEMENS, P.O. BOX 178
SPokane, WA 99210

ZONE		DESCRIPTION	
		TITLE ANTENNA, WHIP, XC6, RAM	
SIZE B	DWG. NO 47-0055-001		
PROJECT		SUPERSEDES	
SCALE 2X	SHEET 2 of 3	REV B	



SECTION "C-C"

NOTES: (UNLESS OTHERWISE SPECIFIED).

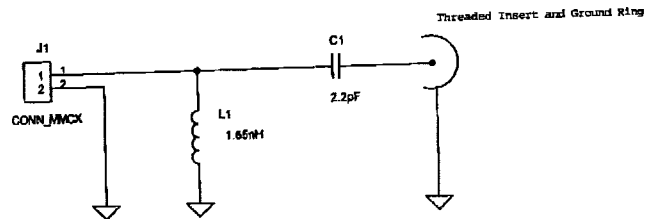
1. MATERIAL: 5/16 HEX BRASS
2. FINISH: PART TO BE FREE OF DIRT AND OILS. MACHINING SURFACES TO BE 63 MICROINCH RMS OR BETTER.
3. DEBURR AND BREAK SHARP EDGES.

UNLESS OTHERWISE SPECIFIED, DIMENSIONS IN INCHES DO NOT SCALE DRAWING		TOLERANCE EXCEPT AS NOTED XX ± 0.01 INCH XXX ± 0.005 INCH ANG. ± .1° SEE DIMENSIONS NOT TO SCALE		ZONE	DESCRIPTION
NOTICE OF PROPRIETARY INFORMATION INFORMATION CONTAINED HEREIN IS PROPRIETARY AND IS PROPERTY OF HROCOM, INC. WHERE FURNISHED WITH A PROPOSAL, THE RECIPIENT SHALL USE IT SOLELY TO EVALUATE THE PROPOSAL. WHERE FURNISHED TO A CUSTOMER IT SHALL BE USED SOLELY FOR PURPOSES OF INSPECTION, INSTALLATION, OR MAINTENANCE. WHERE FURNISHED TO A SUPPLIER, IT SHALL BE USED SOLELY IN THE PERFORMANCE OF THE WORK CONTRACTED FOR BY THIS COMPANY. THE INFORMATION SHALL NOT BE USED OR DISCLOSED BY THE RECIPIENT FOR ANY OTHER PURPOSE WHATSOEVER.				THIRD ANGLE PROJECTION	TITLE ANTENNA WHIP, XC6, RAM (INSERT DETAIL)
				SIZE B DWG. NO 47-0055-001	PROJECT SUPERSEDES
HROCOM 5,881 STEVENS, P. O. BOX 179 SPANGLE, VA 22210		SCALE	4X	SHEET	3 of 3
		REV	B		

BOMR0200 v9.002

MAX * BILL OF MATERIALS * SINGLE-LEVEL EXPLOSION BY PART IDENTIFIER W/REFERENCE

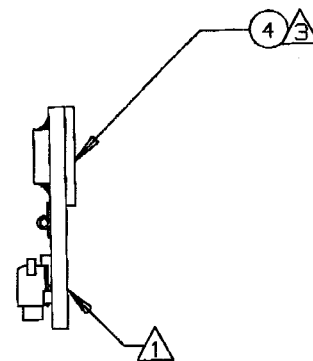
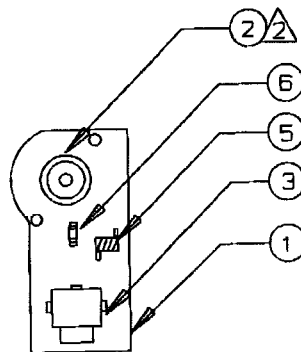
PART IDENTIFIER	DESCRIPTION 1	DESCRIPTION 2	EFF	ECN #	QTY/ASSY	REV	REFERENCE DESCRIPTION
			DATE			UOM LVL	
59-0330-002	PCBA,ANT,WLAN,MMCX,IX250					EA A	
25-0330-001	PCB,ANTENNA,WLAN,MMCX		000914		1.0000	EA A	001
31-0043-014	CAP SM 2.2pF 5% NPO 0603		000914		1.0000	EA L	006
35-0048-001	PEM NUT 4-40 PCB ET		000914		1.0000	EA B	002
38-0250-002	CONN,SM,MMCX COMBO RCPT		000914		1.0000	EA A	003
44-0012-007	IND,SM,1.65nH U-SPRING		000914		1.0000	EA A	005
54-0074-001	RING GND ANTENNA	SS	000914		1.0000	EA B	004
58-0330-001	DWG,PCBA,ANTENA,WLAN,MMCX		000914		1.0000	RE A	000
93-0050-001	GEN SPEC PCB ASSY		000914		1.0000	RE D	000
95-0330-001	SCH,PCBA,ANTENA,WLAN,MMCX		000914		1.0000	RE A	000



DATE CHANGED:
Tuesday, September 26, 2000

ITRONIX 801 SOUTH STEVENS, SPOKANE, WA, 99204		ELECT. ENGINEER: <i>[Signature]</i>	DATE: 9/28/00	TITLE: SCH, XC RF Modem	
NOTICE OF PROPRIETARY INFORMATION INFORMATION CONTAINED HEREIN IS PROPRIETARY AND IS PROPERTY OF ITRONIX CORP. WHERE FURNISHED WITH A PROPOSAL, THE RECIPIENT SHALL USE IT SOLELY TO EVALUATE THE PROPOSAL. WHERE FURNISHED TO A CUSTOMER IT SHALL BE USED SOLELY FOR PURPOSES OF INSPECTION, INSTALLATION, OR MAINTENANCE. WHERE FURNISHED TO A SUPPLIER, IT SHALL BE USED SOLELY IN THE PERFORMANCE OF THE WORK CONTRACTED FOR BY THIS COMPANY. THE INFORMATION SHALL NOT BE USED OR DISCLOSED BY THE RECIPIENT FOR ANY OTHER PURPOSE WHATSOEVER.		DRAWN BY: Mike Decker	DATE: 07 July 00	Antenna, WLAN	
		CHECKED BY: <i>[Signature]</i>	DATE: 9/28/00	DRAWING NUMBER: 95-0330-001	REV: 1
		TEST ENGINEER: <i>[Signature]</i>	DATE: 9-28-00	REL: PROTO	SIZE: B
				SHEET: 1 of 1	

AS VIEWED FROM LAYER 1



NOTES: UNLESS OTHERWISE SPECIFIED

- ① USING CONTRASTING PERMANENT TYPE INK, MARK THE PART NUMBER, REVISION LEVEL, AND DATE OF ASSEMBLY (WK-YR), ON LABEL. LOCATE APPROXIMATELY WHERE SHOWN.
- ② INSTALL PEM-NUT, AS SHOWN, TO MANUFACTURER'S SPECIFICATION, BEFORE SOLDERING COMPONENTS TO LAYER 1. SOLDER THE PEM-NUT IN PLACE. SOLDER FILLET MUST EXTEND AROUND ENTIRE PERIMETER OF THE NUT.
- ③ SOLDER RING IN PLACE CONCENTRIC WITH PEM-NUT HOLE TO WITHIN $0.010"$. SURFACE OF ITEM 4 TO BE FLAT WITHIN $.010"$.
- 4 FOR PASTEMASK USE ITRONIX PHOTO ARTWORK NUMBER:
PASTEMASK LAYER 1 14-0330-001 REV 1
- 5 THE FINISHED PCB ASSEMBLY MUST CONFORM WITH THE CURRENT REVISION OF ITRONIX PCBA GENERAL SPECIFICATION DOC. 093-0050-001.

-	-	-	-	-	-	-	-	-	-
-	1	-	KJ	PROTOTYPE RELEASE					
ZONE	REV.	REF.	BY	DESCRIPTION	APP.	DATE			
				PCBA, ANTENNA		18 AUG 88			
				CONN, L-NTWK,		9-25-88			
				DATE	SIZE	8	REV. NO	58-0330-001	
				DATE	REL. STATUS	PROTOTYPE	SUPERSEDES		
				DATE	SCALE	NONE	APPET	1	REV. 1

UNLESS OTHERWISE SPECIFIED, DIMENSIONS IN INCHES
DO NOT SCALE DRAWING

NOTICE OF PROPRIETARY INFORMATION
INFORMATION CONTAINED HEREIN IS PROPRIETARY AND IS
PROPERTY OF ITRONIX CORP., INC. WHEN FURNISHED WITH A
PROPOSAL, THE RECIPIENT SHALL USE IT SOLELY TO EVALUATE
THE PROPOSAL. WHEN FURNISHED TO A CUSTOMER IT SHALL
BE USED SOLELY FOR PURPOSES OF INSPECTION, INSTALLATION,
OR MAINTENANCE. WHEN FURNISHED TO A SUPPLIER, IT SHALL
BE USED SOLELY IN THE PERFORMANCE OF THE WORK
CONTRACTED FOR BY THIS COMPANY. THE INFORMATION SHALL
NOT BE USED OR DISCLOSED BY THE RECIPIENT FOR ANY
OTHER PURPOSE WHATSOEVER.

TOL. EXCEPT AS NOTED
XX ± .01 INCH
XXX ± .005 INCH
ANG. ± 1°
DIM. DIMENSION NOT TO SCALE

THIRD ANGLE
PROJECTION

8/30/88

SOUTH BAY STEVEN'S STREET
SPOKANE, WA 99204

DRAWN: K JENS
CHECKED: [Signature]
DATE: 9-25-88
DATE: 9/25/88
DATE: 9/25/88
DATE: 9-25-88