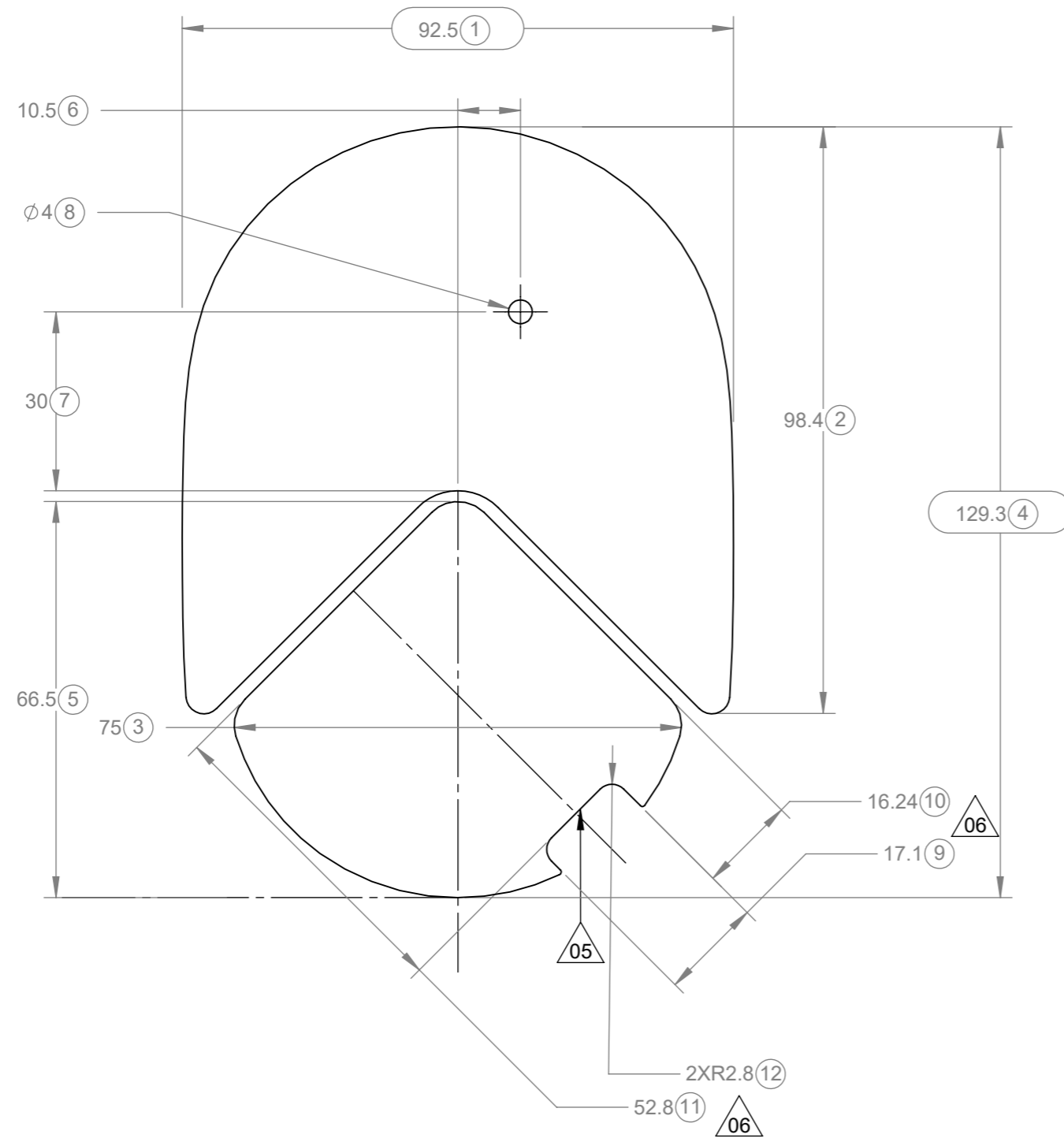
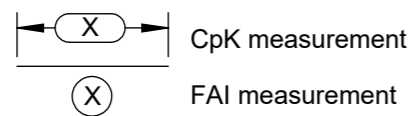


↑
PRINT DIRECTION



06	23.08.2021	MDA	MDA	Added dimensions to cutout section.
05	23.08.2021	MDA	MDA	Changed outline in indicated area (added cutout section).
04	07.03.2021	MDA	MDA	Updated outline.
Rev.	Date	Prep	Checked	Change



<p>471-100715-01-06 LBL-BLANK,POD Bandai, Rating Label</p> <p>3D CAD model file 471-100715-01-06 is master</p>	Sheet 1 of 1	Processes	Tolerances	Specification:	Material	Surface treatment
	European projection	Printing -	ISO 2768-f	Type: Manufacturer: Type number: Thickness: Color:	Polyester matt / acrylic glue CCL Design UK 338TXV-J1a 0.00295"/0,075mm Cisco First Light	Thermal transfer ribbon CCL Design UK DPG6000
Unit: mm	Dimensions without paint or finish	All materials, finishes, and processes must comply with the RoHS directives	Surface: Adhesive: Flame class: UL reference:	Permanent Acrylic UL969 MH16584	- - -	- -
Sheet size: A3	Scale: 1:1	Part weight: n/a	Flame class requirement: UL969			