

# Technical Information

## Micropilot FMR20

### Modbus RS485

Free space radar

## Level measurement for liquids



### Application

- Ingress protection: IP66/68 / NEMA 4X/6P
- Measuring range: up to 20 m (66 ft)
- Process temperature: -40 to 80 °C (-40 to 176 °F)
- Process pressure: -1 to 3 bar (-14 to 43 psi)
- Accuracy: up to  $\pm 2$  mm (0.08 in)
- International explosion protection certificates

### Your benefits

- Level measurement for liquids in storage tanks, open basins, pump shafts and canal systems
- Radar measuring device with *Bluetooth*® wireless technology and Modbus communication
- Simple, safe and secure wireless remote access – ideal for installation in hazardous areas or places difficult to reach
- Commissioning, operation and maintenance via free iOS / Android app SmartBlue – saves time and reduces costs
- Full PVDF body - for a long sensor lifetime
- Hermetically sealed wiring and fully potted electronics – eliminates water ingress and allows operation under harsh environmental conditions
- Most compact radar due to unique radar chip design – fits in limited space installations
- Best price-performance-ratio radar

## Table of contents

<b>Important document information</b> . . . . .	<b>3</b>	<b>Environment</b> . . . . .	<b>20</b>
Symbols used . . . . .	3	Ambient temperature range . . . . .	20
<b>Terms and abbreviations</b> . . . . .	<b>4</b>	Storage temperature . . . . .	20
<b>Registered trademarks</b> . . . . .	<b>4</b>	Climate class . . . . .	20
<b>Product life cycle</b> . . . . .	<b>5</b>	Operating altitude as per IEC 61010-1 Ed.3 . . . . .	20
Engineering . . . . .	5	Degree of protection . . . . .	20
Procurement . . . . .	5	Vibration resistance . . . . .	20
Installation . . . . .	5	Electromagnetic compatibility (EMC) . . . . .	20
Commissioning . . . . .	5	<b>Process</b> . . . . .	<b>21</b>
Operation . . . . .	5	Process temperature, process pressure . . . . .	21
Maintenance . . . . .	5	Dielectric constant . . . . .	21
Retirement . . . . .	5	<b>Mechanical construction</b> . . . . .	<b>22</b>
<b>Measuring principle</b> . . . . .	<b>6</b>	Dimensions . . . . .	22
Input . . . . .	6	Weight . . . . .	26
Output . . . . .	6	Materials . . . . .	27
<b>Input</b> . . . . .	<b>7</b>	Connecting cable . . . . .	27
Measured variable . . . . .	7	<b>Operability</b> . . . . .	<b>27</b>
Measuring range . . . . .	7	Operating concept . . . . .	27
Operating frequency . . . . .	7	Operation via Bluetooth® wireless technology . . . . .	27
Transmission power . . . . .	7	Remote operation via Modbus protocol . . . . .	28
<b>Output</b> . . . . .	<b>7</b>	<b>Certificates and approvals</b> . . . . .	<b>29</b>
Digital output . . . . .	7	CE mark . . . . .	29
Signal on alarm . . . . .	8	RoHS . . . . .	29
Linearization . . . . .	8	EAC conformity . . . . .	29
<b>Protocol-specific data, Modbus</b> . . . . .	<b>8</b>	RCM-Tick marking . . . . .	29
Modbus settings . . . . .	8	Approvals . . . . .	29
Measured variables via Modbus protocol . . . . .	8	Explosion-protected smartphones and tablets . . . . .	29
<b>Electrical connection</b> . . . . .	<b>9</b>	Pressure equipment with allowable pressure	
Cable assignment . . . . .	9	≤ 200 bar (2 900 psi) . . . . .	29
Supply voltage . . . . .	9	EN 302729-1/2 radio standard . . . . .	29
Power consumption . . . . .	9	FCC / Industry Canada . . . . .	30
Starting time . . . . .	11	Other standards and guidelines . . . . .	31
Power supply failure . . . . .	11	<b>Ordering information</b> . . . . .	<b>32</b>
Connecting the device . . . . .	11	<b>Accessories</b> . . . . .	<b>32</b>
Cable specification . . . . .	13	Device-specific accessories . . . . .	32
Overvoltage protection . . . . .	13	<b>Documentation</b> . . . . .	<b>51</b>
<b>Performance characteristics</b> . . . . .	<b>13</b>	Brief Operating Instructions (KA) . . . . .	51
Reference operating conditions . . . . .	13	Operating Instructions (BA) . . . . .	51
Maximum measured error . . . . .	13	Safety Instructions (XA) . . . . .	51
Measured value resolution . . . . .	13		
Response time . . . . .	14		
Influence of ambient temperature . . . . .	14		
<b>Installation</b> . . . . .	<b>14</b>		
Installation conditions . . . . .	14		

## Important document information

---

### Symbols used

### Safety symbols



This symbol alerts you to a dangerous situation. Failure to avoid this situation will result in serious or fatal injury.



This symbol alerts you to a dangerous situation. Failure to avoid this situation can result in serious or fatal injury.



This symbol alerts you to a dangerous situation. Failure to avoid this situation can result in minor or medium injury.



This symbol contains information on procedures and other facts which do not result in personal injury.

### Symbols for certain types of information and graphics



#### Permitted

Procedures, processes or actions that are permitted



#### Preferred

Procedures, processes or actions that are preferred



#### Forbidden

Procedures, processes or actions that are forbidden



#### Tip

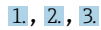
Indicates additional information



Reference to graphic



Notice or individual step to be observed



Series of steps



Result of a step

1, 2, 3, ...

Item numbers

A, B, C, ...

Views

## Terms and abbreviations

**BA**

Document type "Operating Instructions"

**KA**

Document type "Brief Operating Instructions"

**TI**

Document type "Technical Information"

**SD**

Document type "Special Documentation"

**XA**

Document type "Safety Instructions"

**PN**

Nominal pressure

**MWP**

MWP (Maximum working pressure/max. process pressure)

The MWP can also be found on the nameplate.

**ToF**

Time of Flight

 **$\epsilon_r$  (Dk value)**

Relative dielectric constant

**Operating tool**

The term "operating tool" is used in place of the following operating software: SmartBlue (app), for operation using an Android or iOS smartphone or tablet

**RTU**

Remote Transmit Unit

**BD**

Blocking Distance; no signals are analyzed within the BD.

**PLC**

Programmable logic controller (PLC)

**CDI**

Common Data Interface

## Registered trademarks

**Modbus®**

Registered trademark of SCHNEIDER AUTOMATION, INC.

**Apple®**

Apple, the Apple logo, iPhone, and iPod touch are trademarks of Apple Inc., registered in the U.S. and other countries. App Store is a service mark of Apple Inc.

**Android®**

Android, Google Play and the Google Play logo are trademarks of Google Inc.


**Bluetooth®**

The *Bluetooth*® word mark and logos are registered trademarks owned by the Bluetooth SIG, Inc. and any use of such marks by Endress+Hauser is under license. Other trademarks and trade names are those of their respective owners.

## Product life cycle

---

### Engineering

- Proven radar measuring technology
  - Level measurement and open channel flow measurement for Ex and non-Ex areas
  - Flooding detection
  - Wide range of installation possibilities and accessories
  - Highest degree of ingress protection
  - 2D/3D drawings
  - Spec Sheet Producer
  - Applicator Selection tool for selecting the perfect measurement solution
-  Device not compatible with transmitters and sensors that use ultrasonic measurement technology (e.g. Prosonic FMU9x, FDU9x)
- 

### Procurement

- Best price-performance-ratio radar
  - Global availability
  - Order code includes variety of mounting accessories
- 

### Installation

- Rear and front thread for flexible installation
  - Slip-on flange for nozzle installation
  - Complete measuring point: including mounting accessory and flooding protection tube
- 

### Commissioning

- Quick and easy setup with the SmartBlue app and Modbus
  - No additional tools or adapters required
  - Local languages (up to 15)
- 

### Operation

- Continuous self-monitoring
  - Diagnostics information according to NAMUR NE107 with remedial measures in the form of plain text messages
  - Signal curve via SmartBlue (app)
  - Encrypted single point-to-point data transmission (tested by Fraunhofer Institute) and password-protected communication via *Bluetooth*® wireless technology
- 

### Maintenance

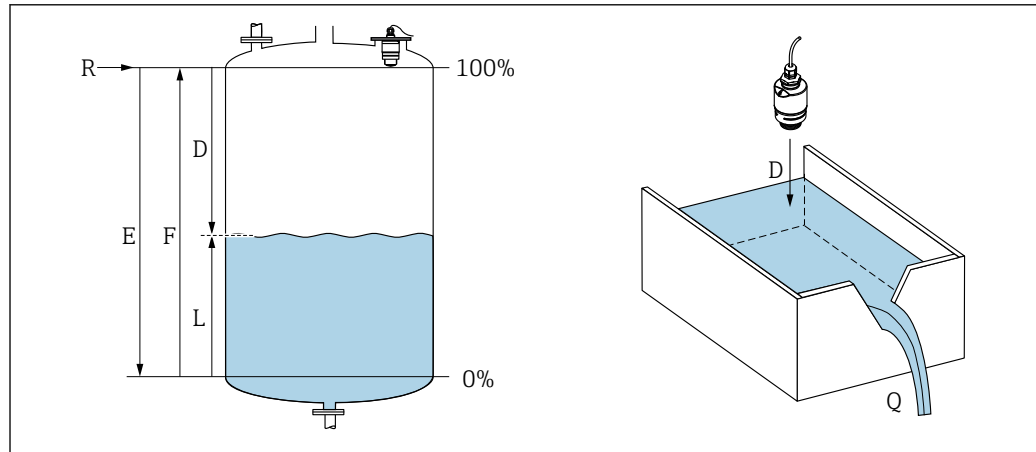
- No maintenance required
  - Technical experts on-call around the world
- 

### Retirement

- Environmentally responsible recycling concepts
  - RoHS compliance (restriction of certain hazardous substances), lead-free soldering of electronic components
-

## Measuring principle

The Micropilot is a "downward-looking" measuring system, which functions according to the time-of-flight (ToF) method. It measures the distance from the reference point **R** to the product surface. Radar pulses are emitted by an antenna, reflected off the product surface and received again by the radar system.



1 Setup parameters of the Micropilot Micropilot

*E* Empty calibration (= zero)

*F* Full calibration (= span)

*D* Measured distance

*L* Level ( $L = E - D$ )

*Q* Flow rate at measuring weirs or channels (calculated from the level using linearization)

*R* Reference point

### Input

The reflected radar pulses are received by the antenna and transmitted to the electronics. A microprocessor evaluates the signals and identifies the level echo caused by the reflection of the radar pulses at the product surface. This clear signal detection system benefits from over 30 years' experience with time-of-flight procedures.

The distance **D** to the product surface is proportional to the time of flight **t** of the pulse:

$$D = c \cdot t/2,$$

where **c** is the speed of light.

Based on the known empty distance **E**, the level **L** is calculated:

$$L = E - D$$

### Output

The device is adjusted by entering the empty distance **E** (= zero point) and the full distance **F** (= span).

Digital output (Modbus, SmartBlue): 0 to 10 m (0 to 33 ft) or 0 to 20 m (0 to 66 ft) depending on antenna version

## Input

<b>Measured variable</b>	The measured variable is the distance between the reference point and the product surface. The level is calculated based on <b>E</b> , the empty distance entered.
<b>Measuring range</b>	<p><b>Maximum measuring range</b></p> <ul style="list-style-type: none"> <li>Device with 40 mm (1.5 in) antenna: 10 m (33 ft)</li> <li>Device with 80 mm (3 in) antenna: 20 m (66 ft)</li> </ul> <p><b>Installation requirements</b></p> <ul style="list-style-type: none"> <li>Recommended tank height &gt; 1.5 m (5 ft) for media with low <math>\epsilon_r</math> value</li> <li>Open channel minimum width 0.5 m (1.6 ft)</li> <li>Calm surfaces</li> <li>No agitators</li> <li>No buildup</li> <li>Relative dielectric constant <math>\epsilon_r &gt; 4</math></li> </ul> <p><b>Usable measuring range</b></p> <p>The usable measuring range depends on the antenna size, the medium's reflective properties, the installation position and any possible interference reflections.</p> <p><b>Media groups</b></p> <ul style="list-style-type: none"> <li><math>\epsilon_r = 4</math> to 10 e.g. concentrated acid, organic solvents, ester, aniline, alcohol, acetone.</li> <li><math>\epsilon_r &gt; 10</math> e.g. conductive liquids, aqueous solutions, diluted acids and bases</li> </ul> <p>Reduction of the maximum possible measuring range by:</p> <ul style="list-style-type: none"> <li>Media with bad reflective properties (= low <math>\epsilon_r</math> value)</li> <li>Formation of buildup, particularly of moist products</li> <li>Strong condensation</li> <li>Foam generation</li> <li>Freezing of sensor</li> </ul>
<b>Operating frequency</b>	K-band (~ 26 GHz)
<b>Transmission power</b>	<p><b>Mean power density in the direction of the beam</b></p> <ul style="list-style-type: none"> <li>At a distance of 1 m (3.3 ft): &lt; 12 nW/cm<sup>2</sup></li> <li>At a distance of 5 m (16 ft): &lt; 0.4 nW/cm<sup>2</sup></li> </ul>

## Output

<b>Digital output</b>	<p><b>Modbus®</b></p> <p>Dedicated differential Modbus interface via separate wire pair</p> <p><b>Bluetooth® wireless technology</b></p> <p>The device has a <i>Bluetooth®</i> wireless technology interface and can be operated and configured via this interface using the SmartBlue app.</p> <ul style="list-style-type: none"> <li>The range under reference conditions is 25 m (82 ft)</li> <li>Incorrect operation by unauthorized persons is prevented by means of encrypted communication and password encryption</li> <li>The <i>Bluetooth®</i> wireless technology interface can be deactivated</li> </ul>
-----------------------	--

**Signal on alarm**

Depending on the interface, failure information is displayed as follows:

- Digital communication (Modbus)
  - Status signal (as per NAMUR Recommendation NE 107)
  - Diagnostic code
- Operating tool via SmartBlue (app)
  - Status signal (as per NAMUR Recommendation NE 107)
  - Plain text display with remedial action

**Linearization**

The linearization function of the device allows the conversion of the measured value into any unit of length, weight, flow or volume. When operating via Modbus, linearization tables are pre-programmed for the calculation of the volume in vessels (see the following list).

**Pre-programmed linearization curves**

- Cylindrical tank
- Spherical tank
- Tank with pyramid bottom
- Tank with conical bottom
- Tank with flat bottom

Other linearization tables of up to 32 value pairs can be entered manually.

## Protocol-specific data, Modbus

**Modbus conformity**

Modbus-compliant with restrictions.

The TIA-485 Standard is only met with the following restrictions:

**Maximum bus load:**

100 Ω

For installations with a bus cable > 100 m, the load should not drop below 200 Ω, or a fieldbus repeater should be used.

**Time for connection setup**

< 1 s

**Addressing**

1 to 200

**Modbus settings**

The following settings can be customized via Bluetooth and Modbus.

Setting	Options	Default
Data bits	7,8	8
Parity	Even, odd, none	Even
Stop bits	1,2	1
Baud rate	1200, 2400, 4800, 9600, 19200	9600
Protocol	RTU, ASCII	RTU
Addressing	1 to 200	1

**Measured variables via Modbus protocol**

The 8 most important process parameters are mapped as burst parameters to the first addresses in the Modbus address range. This means that these parameters can be read out in one measurement transmission. All parameters are available in the Float32 format.



The register address must be incremented by one (register address + 1) when using the Memograph M RSG45 or Fieldgate FXA30b Modbus master.

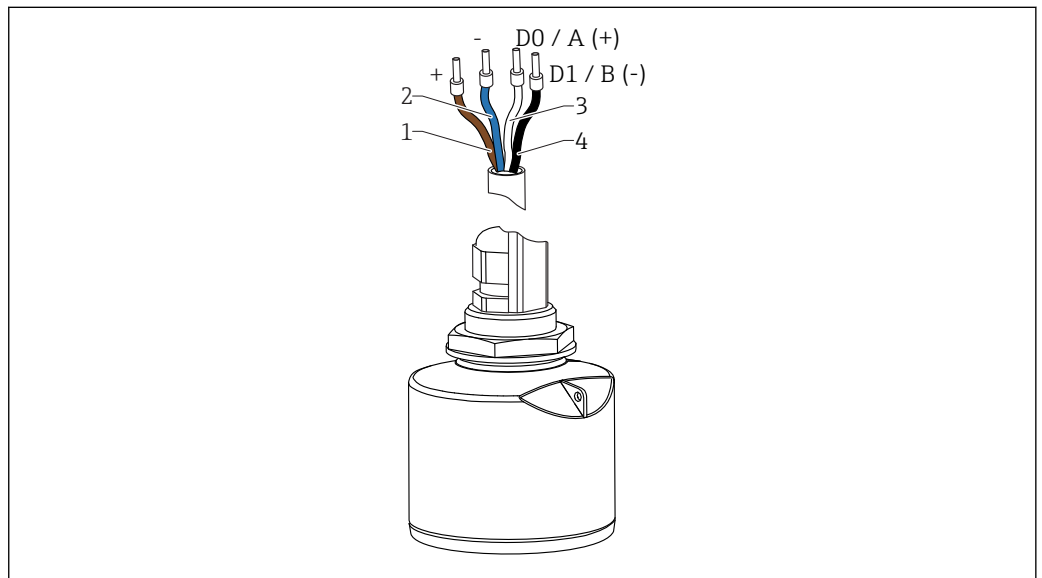
Modbus address	Parameter name	Description
5000	MODB_PV_VALUE	Level linearized (PV)
5002	MODB_SV_VALUE	Distance (SV)
5004	MODB_TV_VALUE	Relative echo amplitude (TV)



Modbus address	Parameter name	Description
5006	MODB_QV_VALUE	Temperature (QV)
5008	MODB_SIGNALQUALITY	Signal quality
5010	MODB_ACTUALDIAGNOSTICS	Current diagnostics number
5012	MODB_LOCATION_LONGITUDE	Longitude coordinate
5014	MODB_LOCATION_LATITUDE	Latitude coordinate

## Electrical connection

### Cable assignment



2 FMR20 cable assignment, Modbus

- 1 Plus, brown wire
- 2 Minus, blue wire
- 3 Modbus DO/A (+), white wire
- 4 Modbus D1/B (-), black wire

### Supply voltage

5 to 30 V<sub>DC</sub>

An external power supply is necessary.

#### Battery operation

The sensor's Bluetooth® wireless technology communication can be disabled to increase the operating life of the battery.

#### Potential equalization

No special measures for potential equalization are required.

Various power supply units can be ordered as an accessory from Endress+Hauser.

### Power consumption

Data with supply voltage 24 V<sub>DC</sub>

Maximum input power: 100 mW

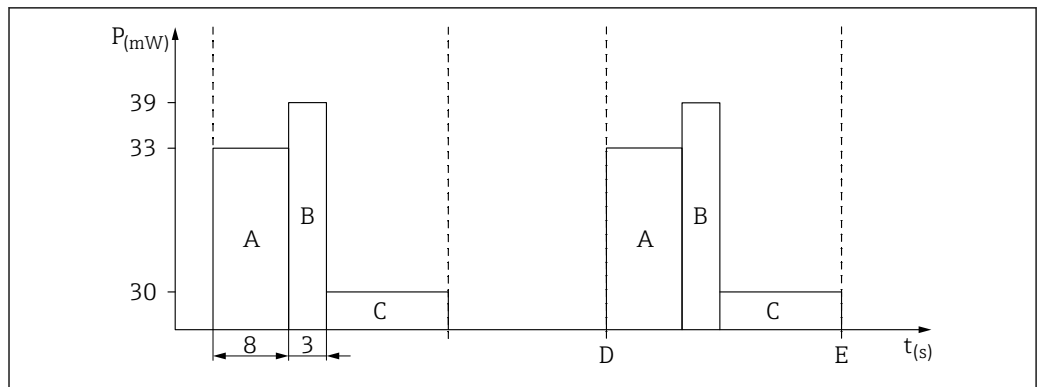
Calculation for other supply voltage:

$$P = 39 \text{ mW} + (V_{CC} - 24 \text{ V}_{DC}) \times 0.28$$

Measures to reduce power consumption:

Disabling the Bluetooth® wireless technology interface reduces the power consumption by 1.5 mW.

**Single shot mode switched on/off via RTU**

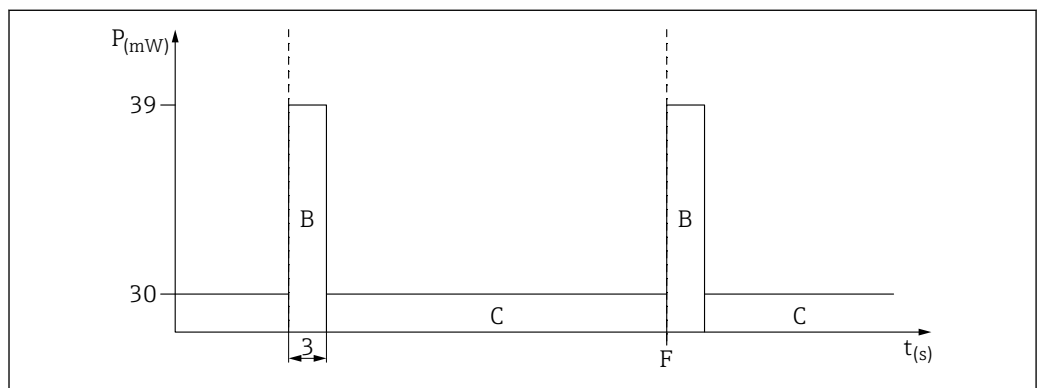


A0038152

3 Power consumption of single shot mode switched on/off via RTU

- A Start-up
- B Measurement
- C Power save mode
- D Switch on power supply
- E Switch off power supply

**Single shot mode switched on permanently**

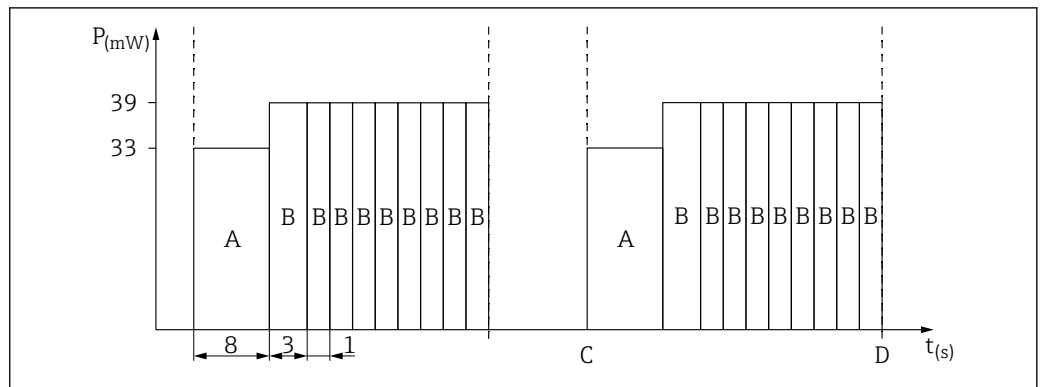


A0038151

4 Power consumption of single shot mode switched on permanently

- B Measurement
- C Power save mode
- F Trigger

**Continuous measuring mode switched on/off via RTU**



5 Power consumption of continuous measuring mode switched on/off via RTU

- A Start-up
- B Measurement
- C Switch on power supply
- D Switch off power supply

**Calculation example**

Assumed configuration

- RTU: E+H FXA30B with battery (7.2 V, 14.5 Ah)
- Modbus: single-shot mode switched on/off via RTU
- Switch on power supply every 15 min and leave switched on for 30 s

Power consumption with  $V_{cc} = 7.2 V$

- Start-up:  $33 mW + (7.2 V - 24 V) \times 0.28 = 28.3 mW$
- Measurement:  $39 mW + (7.2 V - 24 V) \times 0.28 = 34.3 mW$
- Power save mode:  $30 mW + (7.2 V - 24 V) \times 0.28 = 25.3 mW$

Energy of a measurement:

$$E = 8 s \times 28.3 mW + 3 s \times 34.3 mW + (30 s - 8 s - 3 s) \times 25.3 mW = 810 mWs$$

Number of measurements:

$$7.2 V \times 14.5 Ah \times 3600 / 0.810 Ws = \sim 460\,000 \text{ measurements}$$

Operating life:

$$460\,000 \times 15 \text{ min} = 4\,790 \text{ days} = 13 \text{ years}$$

 The energy consumption of the RTU is not taken into consideration!

**Starting time**

Until the 1st measured value:

- 11 s (typically)
- 15 s (maximum)

Until full accuracy:

- 15 s (typically)
- 20 s (maximum)

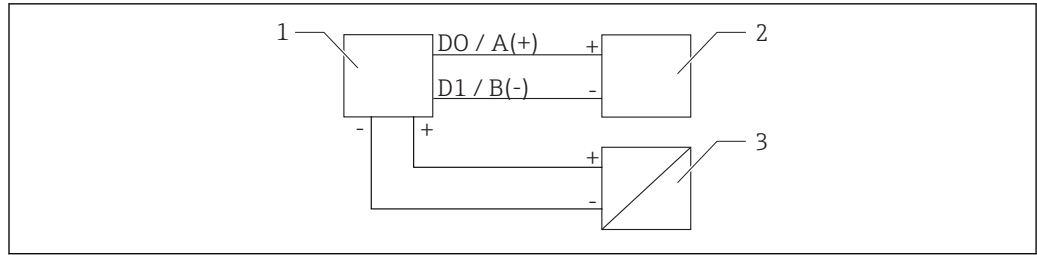
**Power supply failure**

The configuration remains stored in the sensor.

**Connecting the device**

**Block circuit diagram for Modbus RS485 connection**

The RS485 connection meets the requirements of the RS485-IS specification for use in hazardous environments.

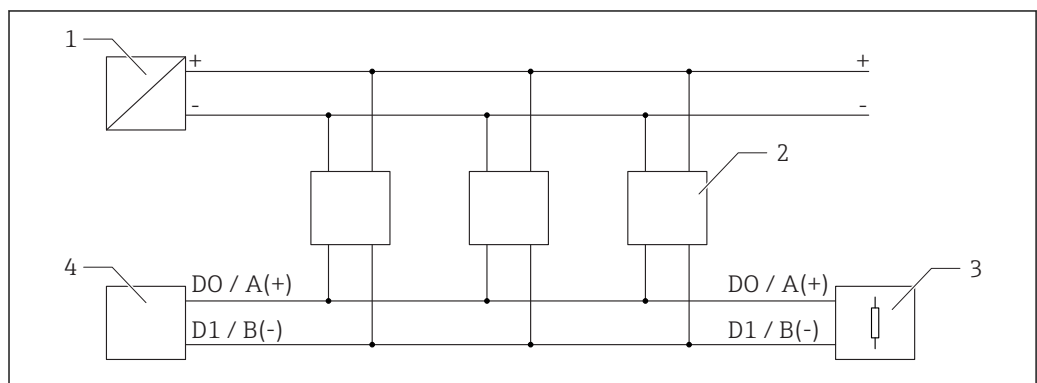


A0037751

6 Block circuit diagram for Modbus RS485 connection

- 1 Device with Modbus communication
- 2 Modbus master/RTU
- 3 Power supply

Up to 32 users can be connected on the RS485 bus.



A0038149

7 Block circuit diagram for Modbus RS485 connection, multiple users

- 1 Power supply
- 2 Device with Modbus communication
- 3 Bus termination
- 4 Modbus master/RTU

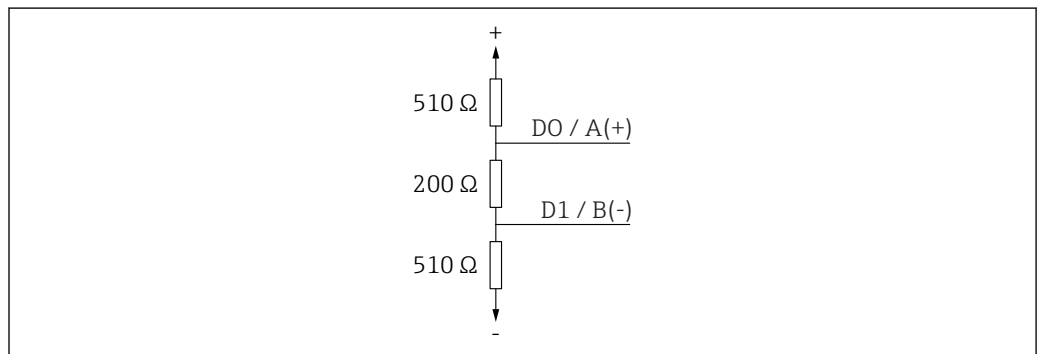
**i** The bus cable should be a type-A fieldbus cable with a maximum length of 1200 m (3937 ft).

If the device is installed in a hazardous environment, the cable length may not exceed 1000 m (3281 ft).

A terminating resistor must be connected at both ends of the RS485 bus.

### Modbus RS485 bus terminating resistor

The bus terminating resistor should be installed as per the RS485-IS specification.



A0038150

8 Representation of the bus terminating resistor as per the RS485-IS specification

**Cable specification**

Unshielded cable, wire cross-section 0.22 mm<sup>2</sup>

- UV- and weather-resistant
- Flame resistance according to IEC 60332-1-2

As per IEC/EN 60079-11 section 10.9, the cable is designed for a tensile strength of 30 N (6.74 lbf) (over a period of 1 h).

The device is supplied with 5 m (16 ft) cable length as standard. Cable lengths 10 m (33 ft) and 20 m (66 ft) are optionally available.

User-defined lengths up to total length of 300 m (980 ft) are possible in increments of one meter or one foot.

**Overvoltage protection**

The device is equipped with integrated overvoltage protection.

## Performance characteristics

**Reference operating conditions**

- Temperature = +24 °C (+75 °F) ±5 °C (±9 °F)
- Pressure = 960 mbar abs. (14 psia) ±100 mbar (±1.45 psi)
- Humidity = 60 % ±15 %
- Reflector: metal plate with diameter ≥ 1 m (40 in)
- No major interference reflections inside the signal beam

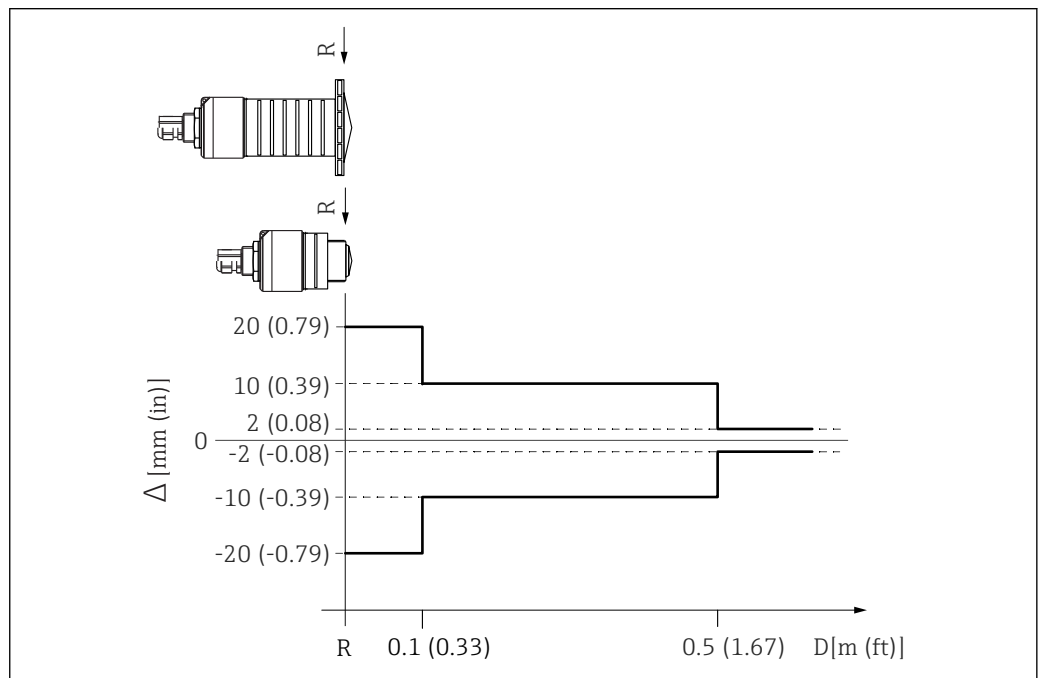
**Maximum measured error**

Typical data under reference operating conditions: DIN EN 61298-2, percentage values in relation to the span.

**Digital output; Modbus, SmartBlue (app)**

- Sum of non-linearity, non-repeatability and hysteresis: ±2 mm (±0.08 in)
- Offset/zero point: ±4 mm (±0.16 in)

**Differing values in near-range applications**



9 Maximum measured error in near-range applications; values for standard version

- Δ Maximum measured error
- R Reference point of the distance measurement
- D Distance from reference point of antenna

**Measured value resolution**

Dead band as per EN61298-2:  
 Digital: 1 mm (0.04 in)

**Response time**

The response time can be configured. The following step response times apply (in accordance with DIN EN 61298-2) when damping is switched off:

**Tank height**

<20 m (66 ft)

**Sampling rate**

1 s<sup>-1</sup>

**Response time**

<3 s

**i** In accordance with DIN EN 61298-2, the step response time is the time following an abrupt change in the input signal up until the changed output signal has adopted 90% of the steady-state value for the first time.

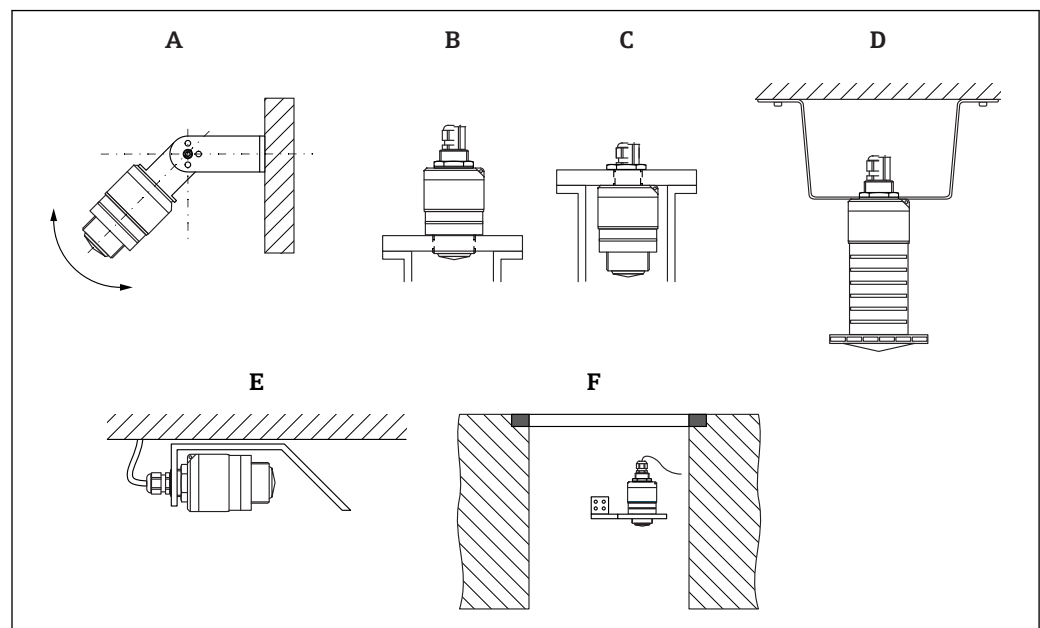
**Influence of ambient temperature**

The measurements are carried out in accordance with EN 61298-3.

Digital (Modbus, *Bluetooth*<sup>®</sup> wireless technology):

Standard version: average  $T_C = \pm 3 \text{ mm}$  ( $\pm 0.12 \text{ in}$ )/10 K

## Installation

**Installation conditions****Installation types**

A0030605

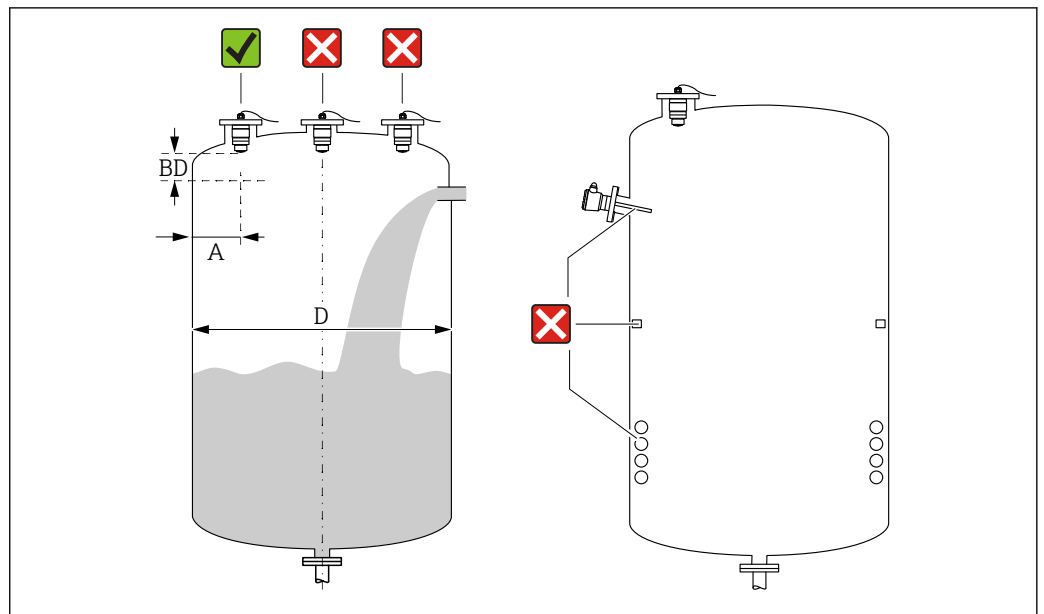
**10** Wall, ceiling or nozzle installation

- A Wall or ceiling mount, adjustable
- B Mounted at front thread
- C Mounted at rear thread
- D Ceiling installation with counter nut (included in delivery)
- E Horizontal installation with reflector plate
- F Shaft wall mounting

**i** **Caution!**

- The sensor cables are not designed as supporting cables. Do not use them for suspension purposes.
- Always operate the device in a vertical position in free-space applications.

**Position for installation on a tank**



11 Installation position on a tank

- If possible install the sensor so that its lower edge projects into the tank.
- Recommended distance **A** wall - nozzle outer edge:  $\sim \frac{1}{6}$  of the tank diameter **D**. Under no circumstances should the device be mounted closer than 15 cm (5.91 in) to the tank wall.
- Do not install the sensor in the middle of the tank.
- Avoid measurements through the filling curtain.
- Avoid equipment such as limit switches, temperature sensors, baffles, heating coils etc.
- Multiple devices can be operated in one tank without influencing each other.
- No signals are evaluated within the Blocking distance (BD). It can therefore be used to suppress interference signals (e.g. the effects of condensate) in the vicinity of the antenna.  
An automatic Blocking distance of at least 0.1 m (0.33 ft) is configured as standard. However, this can be overwritten manually (0 m (0 ft) is also permitted).

Automatic calculation:

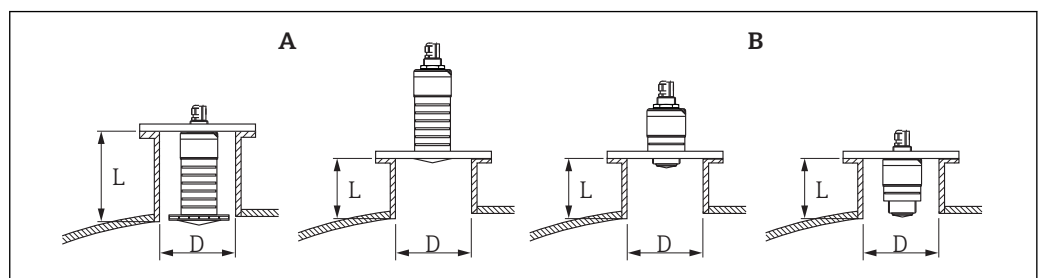
Blocking distance = Empty calibration - Full calibration - 0.2 m (0.656 ft).

Each time a new entry is made in the **Empty calibration** parameter or **Full calibration** parameter, the **Blocking distance** parameter is recalculated automatically using this formula.

If the result of the calculation is a value  $< 0.1$  m (0.33 ft), the Blocking distance of 0.1 m (0.33 ft) will continue to be used.

**Nozzle installation**

The antenna should be located out of the nozzle for optimum measurement. The interior of the nozzle must be smooth and may not contain any edges or welded joints. The edge of the nozzle should be rounded if possible.



12 Nozzle installation

- A 80 mm (3 in) antenna
- B 40 mm (1.5 in) antenna

The maximum length of the nozzle  $L$  depends on the nozzle diameter  $D$ .

Please note the limits for the diameter and length of the nozzle.

**80 mm (3 in) antenna, installation inside nozzle**

- $D$ : min. 120 mm (4.72 in)
- $L$ : max. 205 mm (8.07 in) +  $D \times 4.5$

**80 mm (3 in) antenna, installation outside nozzle**

- $D$ : min. 80 mm (3 in)
- $L$ : max.  $D \times 4.5$

**40 mm (1.5 in) antenna, installation outside nozzle**

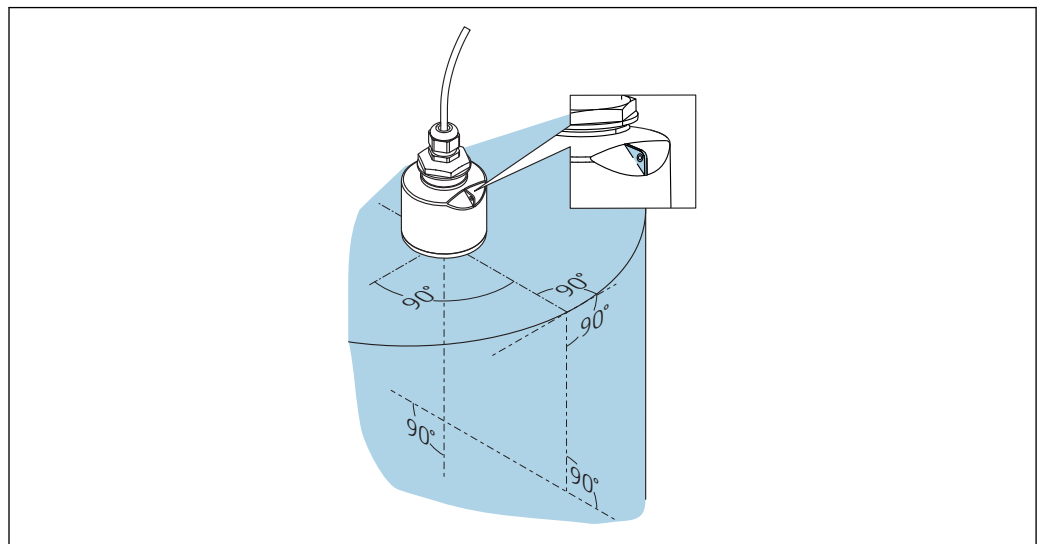
- $D$ : min. 40 mm (1.5 in)
- $L$ : max.  $D \times 1.5$

**40 mm (1.5 in) antenna, installation inside nozzle**

- $D$ : min. 80 mm (3 in)
- $L$ : max. 140 mm (5.5 in) +  $D \times 1.5$

**Device alignment for installation on a vessel**

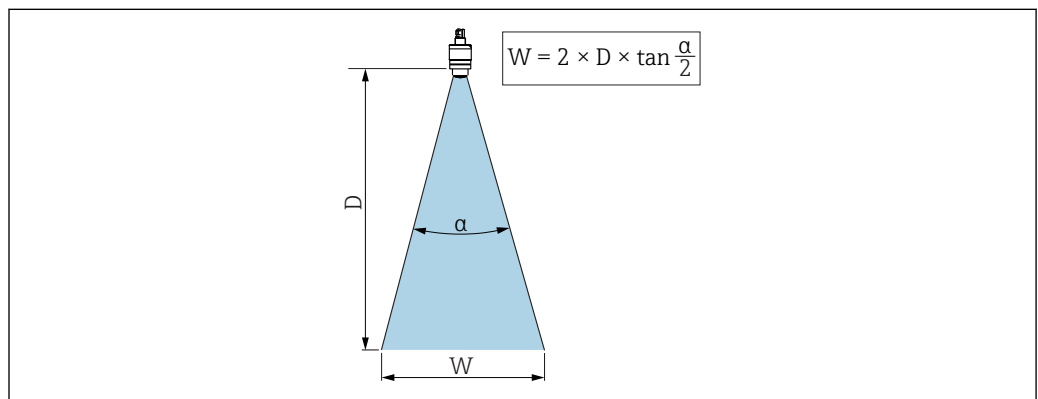
- Align the antenna vertically to the product surface.
- Align the eyelet with lug towards the vessel wall as well as possible.



A0028927

13 Device alignment for installation on a vessel

**Beam angle**



A0033201

14 Relationship between beam angle  $\alpha$ , distance  $D$  and beamwidth diameter  $W$



The beam angle is defined as the angle  $\alpha$ , at which the power density of the radar waves reaches half the value of the maximum power density (3 dB width). Microwaves are also emitted outside the signal beam and can be reflected off interfering installations.

Beam diameter  $W$  as a function of beam angle  $\alpha$  and distance  $D$ .

**40 mm (1.5 in) antenna,  $\alpha$  30 °**

$$W = D \times 0.54$$

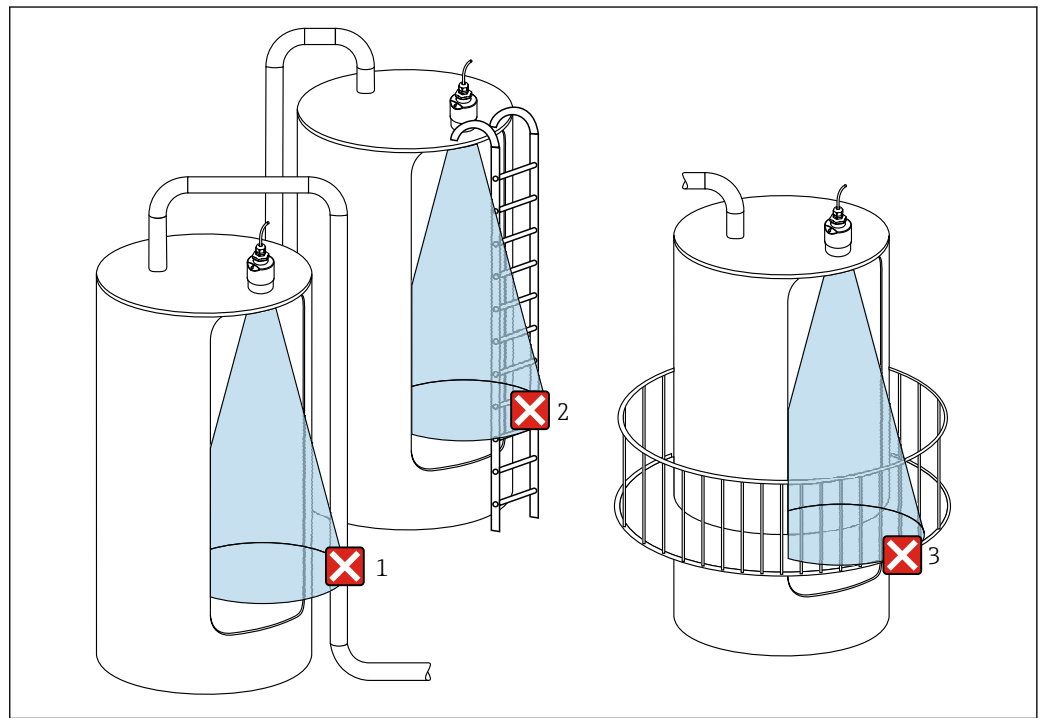
**40 mm (1.5 in) antenna with flooding protection tube,  $\alpha$  12 °**

$$W = D \times 0.21$$

**80 mm (3 in) antenna with or without flooding protection tube,  $\alpha$  12 °**

$$W = D \times 0.21$$

### Measurement in plastic vessels



15 Measurement in a plastic vessel with a metallic, interfering installation outside of the vessel

- 1 Pipe, tubing
- 2 Ladder
- 3 Grate, railing

If the outer wall of the vessel is made of a non-conductive material (e.g. GFR), microwaves can also be reflected by interfering installations outside of the vessel.

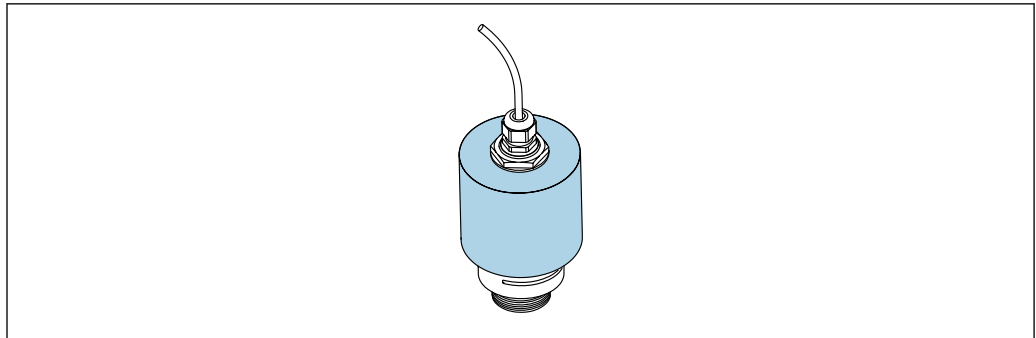
Please ensure there are no interfering installations made of a conductive material in the signal beam (see the beam angle section for information on calculating the beamwidth diameter).

Please contact the manufacturer for further information.

### Protective hood

For outdoor use, a protective hood is recommended.

The protective hood can be ordered as an accessory or together with the device via the product structure "Accessory enclosed".



A0031277

16 Protective hood, e.g. with 40 mm (1.5") antenna

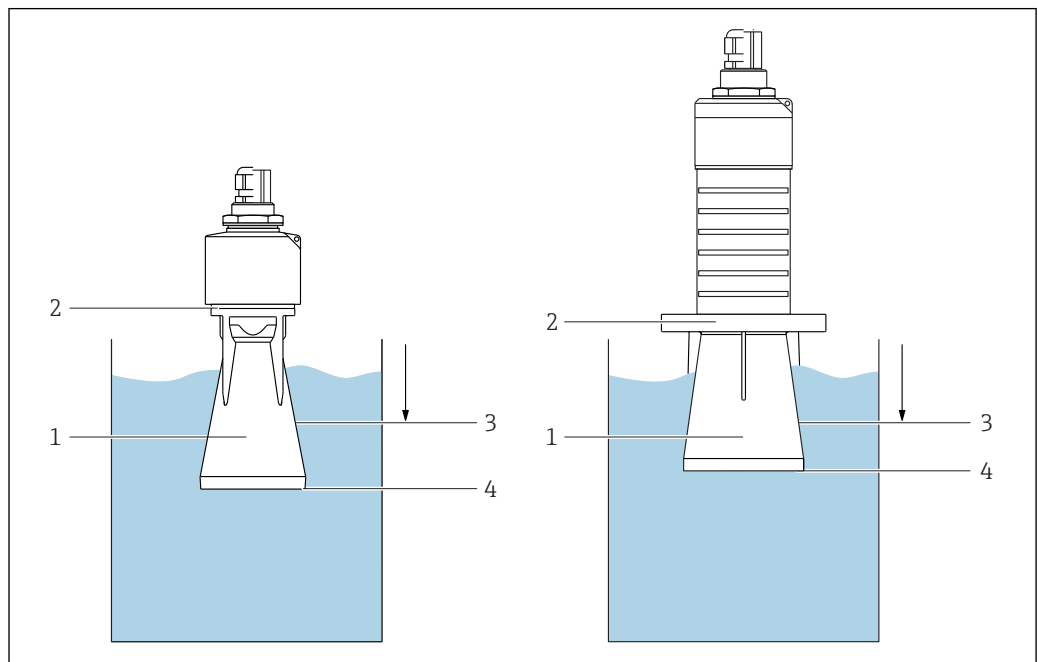
**i** The sensor is not completely covered by the protective hood.

### Free-field measurement with flooding protection tube

The flooding protection tube ensures the sensor measures the maximum level even if it is completely flooded.

In free-field installations and/or in applications where there is a risk of flooding, the flooding protection tube must be used.

The flooding protection tube can be ordered as an accessory or together with the device via the product structure "Accessory enclosed".



A0031093

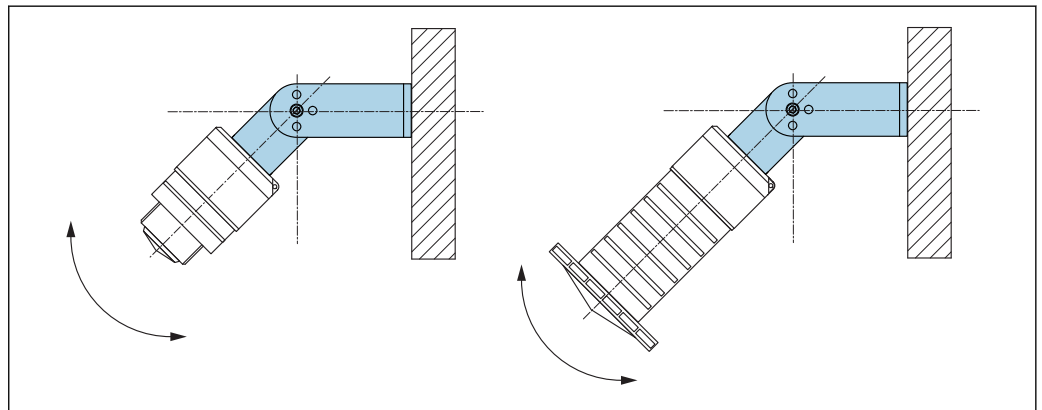
17 Function of flooding protection tube

- 1 Air pocket
- 2 O-ring (EPDM) seal
- 3 Blocking distance
- 4 Max. level

The tube is screwed directly onto the sensor and seals off the system by means of an O-ring making it air-tight. In the event of flooding, the air pocket that formed in the tube ensures the measurement of the maximum level at the end of the tube. Due to the fact that the Blocking distance is inside the tube, multiple echoes are not analyzed.

### Installation with mounting bracket, adjustable

The mounting bracket can be ordered as an accessory or together with the device via the product structure "Accessory enclosed".



A0030606

18 Installation with mounting bracket, adjustable

- Wall or ceiling installation is possible.
- Using the mounting bracket, position the antenna so that it is perpendicular to the product surface.

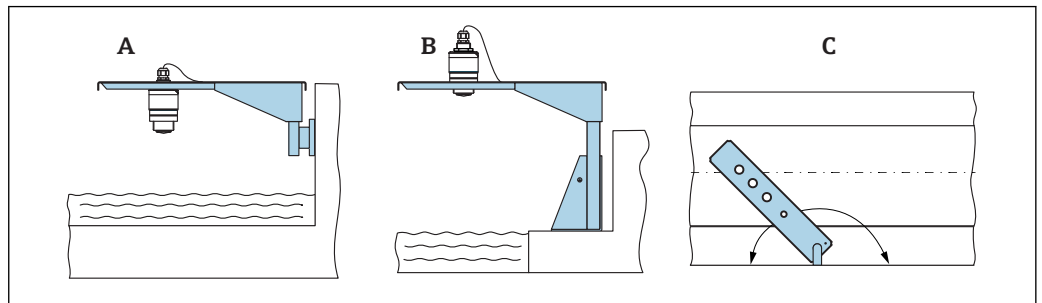
#### NOTICE

**There is no conductive connection between the mounting bracket and transmitter housing.** Electrostatic charging possible.

- ▶ Integrate the mounting bracket in the local potential equalization system.

### Cantilever installation, with pivot

The cantilever, wall bracket and mounting frame are available as accessories.



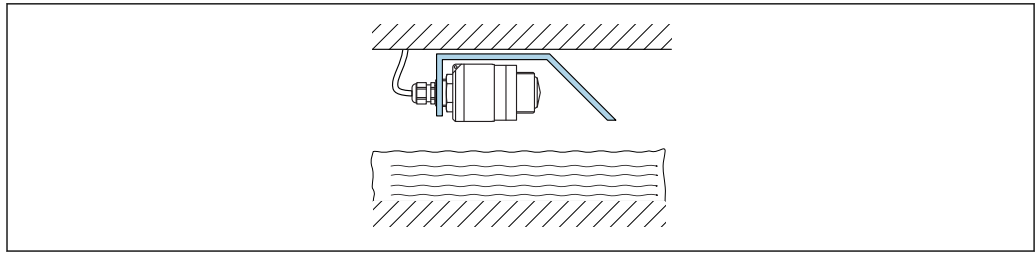
A0028412

19 Cantilever installation, with pivot

- A Cantilever with wall bracket
- B Cantilever with mounting frame
- C Cantilever can be turned (e.g., in order to position the device over the center of the flume)

### Horizontal installation with reflector plate

The reflector plate is available as an accessory.

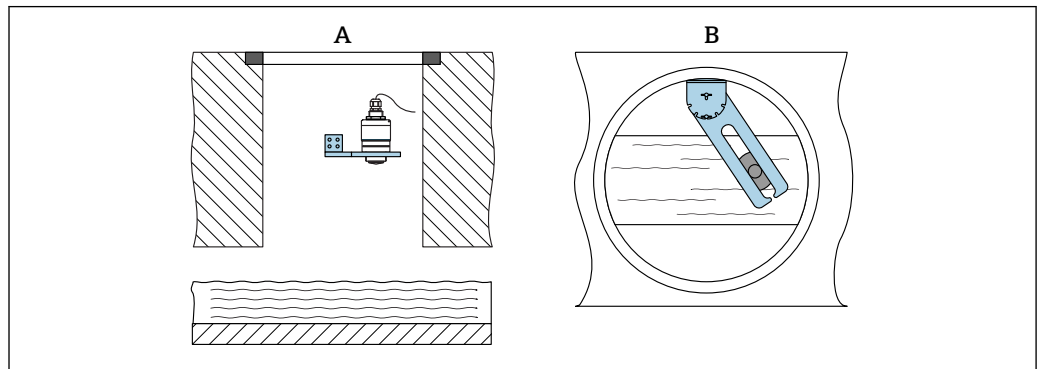


A0037747

20 Horizontal installation with reflector plate

### Mounting in a shaft

The pivoted mounting bracket is available as an accessory.



A0037748

21 Mounting in a shaft, pivotable and adjustable

A Arm with wall bracket

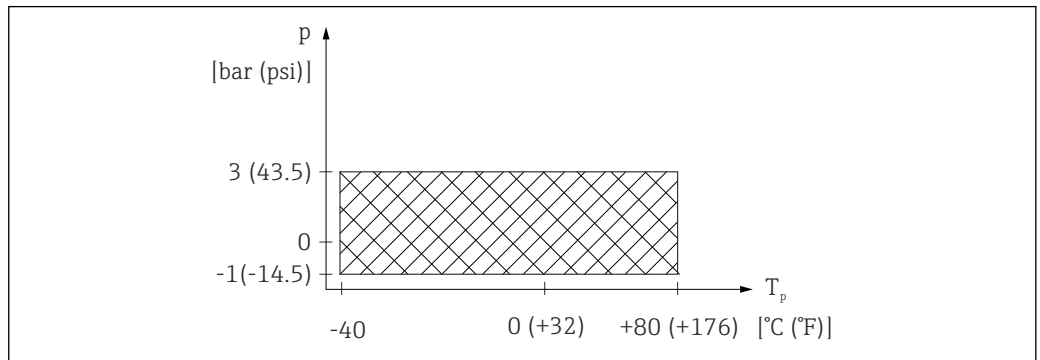
B Pivotable and adjustable arm (e.g. to align the device with the center of a channel)

## Environment

<b>Ambient temperature range</b>	Measuring device: -40 to +80 °C (-40 to +176 °F) <b>i</b> It may not be possible to use the Bluetooth connection at ambient temperatures > 60 °C (140 °F). Outdoor operation in strong sunlight: <ul style="list-style-type: none"> <li>■ Mount the device in the shade.</li> <li>■ Avoid direct sunlight, particularly in warm climatic regions.</li> <li>■ Use a weather protection cover.</li> </ul>
<b>Storage temperature</b>	-40 to +80 °C (-40 to +176 °F)
<b>Climate class</b>	DIN EN 60068-2-38 (test Z/AD)
<b>Operating altitude as per IEC 61010-1 Ed.3</b>	Generally up to 2 000 m (6 600 ft) above sea level.
<b>Degree of protection</b>	Tested acc. to: <ul style="list-style-type: none"> <li>- IP66, NEMA 4X</li> <li>- IP68, NEMA 6P (24 h at 1.83 m (6.00 ft) 1.83 m under water)</li> </ul>
<b>Vibration resistance</b>	DIN EN 60068-2-64/IEC 60068-2-64: 20 to 2 000 Hz, 1 (m/s <sup>2</sup> )/Hz
<b>Electromagnetic compatibility (EMC)</b>	Electromagnetic compatibility in accordance with all of the relevant requirements outlined in the EN 61000 series and NAMUR Recommendation EMC (NE 21). Details are provided in the Declaration of Conformity ( <a href="http://www.endress.com/downloads">www.endress.com/downloads</a> ).

## Process

Process temperature, process pressure



A0029007-EN

22 FMR20: Permitted range for process temperature and process pressure

### Process temperature range

-40 to +80 °C (-40 to +176 °F)

### Process pressure range, threaded process connection

- $p_{\text{rel}} = -1$  to 3 bar (-14.5 to 43.5 psi)
- $p_{\text{abs}} < 4$  bar (58 psi)

### Process pressure range, UNI flange process connection

- $p_{\text{rel}} = -1$  to 1 bar (-14.5 to 14.5 psi)
- $p_{\text{abs}} < 2$  bar (29 psi)



The pressure range may be further restricted in the event of a CRN approval.

Dielectric constant

### For liquids

$\epsilon_r \geq 4$



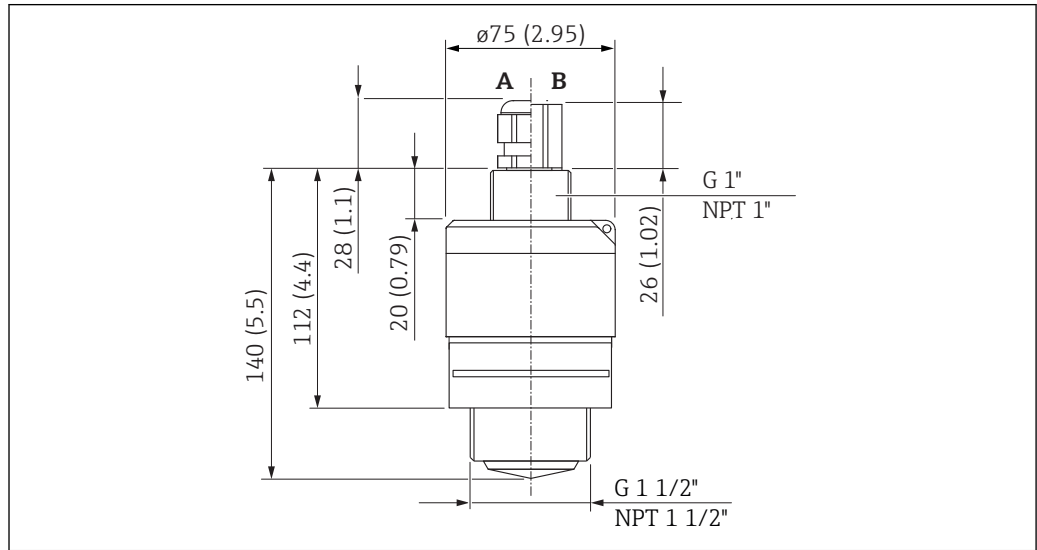
For dielectric constants (DC values) of many media commonly used in various industries refer to:

- the Endress+Hauser DC manual (CP01076F)
- the Endress+Hauser "DC Values App" (available for Android and iOS)

## Mechanical construction

### Dimensions

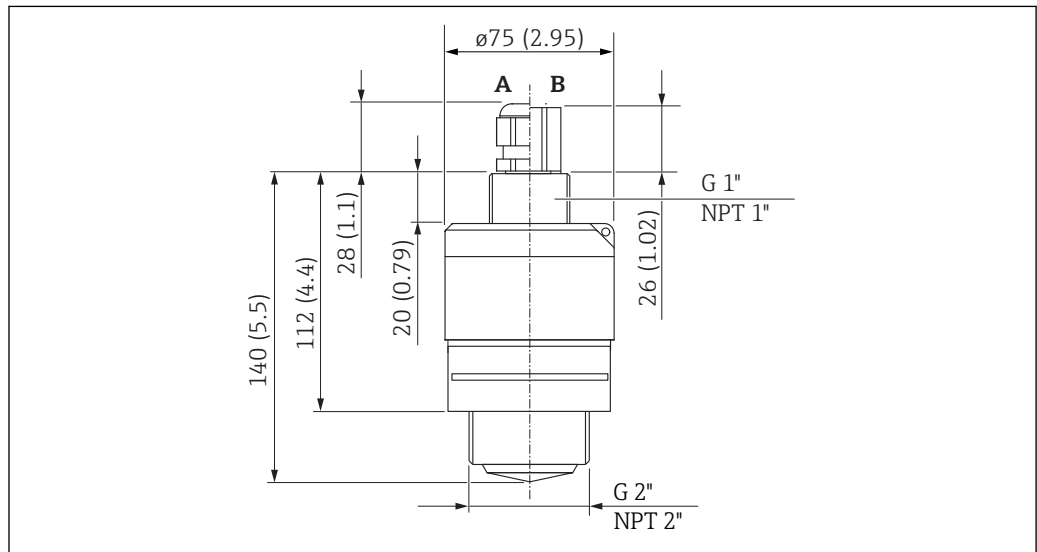
#### 40 mm (1.5 in) Antenna with G 1-½" or MNPT 1-½" thread



23 Dimensions of G 1-½" or MNPT 1-½" process connection thread, engineering unit: mm (in)

- A Cable gland
- B FNPT ½" conduit

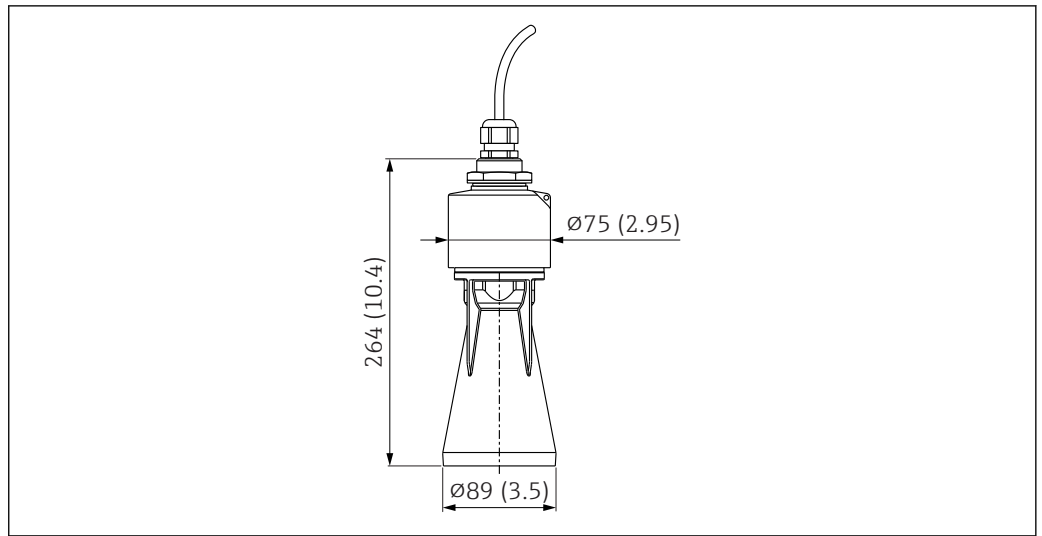
#### 40 mm (1.5 in) Antenna with G 2" or MNPT 2" thread



24 Dimensions of G 2" or MNPT 2" process connection thread, engineering unit: mm (in)

- A Cable gland
- B FNPT ½" conduit

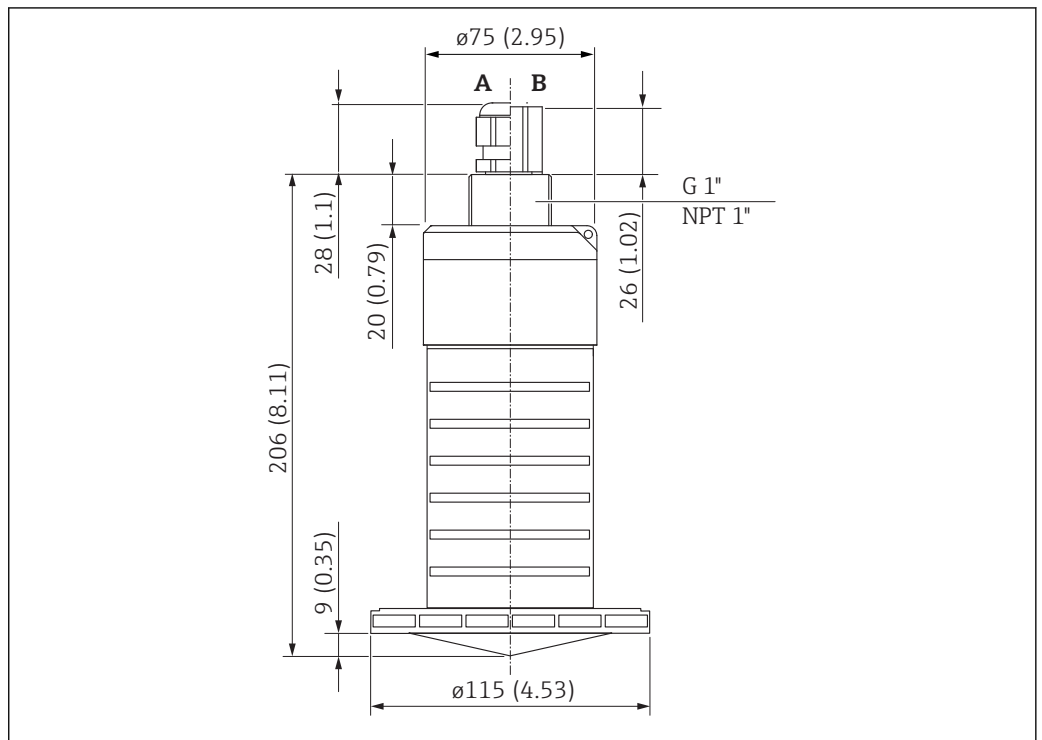
**40 mm (1.5 in) antenna with flooding protection tube**



25 Dimensions of 40 mm (1.5 in) antenna mounted with flooding protection tube, engineering unit: mm (in)

The flooding protection tube, metalized PBT-PC, can be ordered together with the device via the product structure "Accessory enclosed".

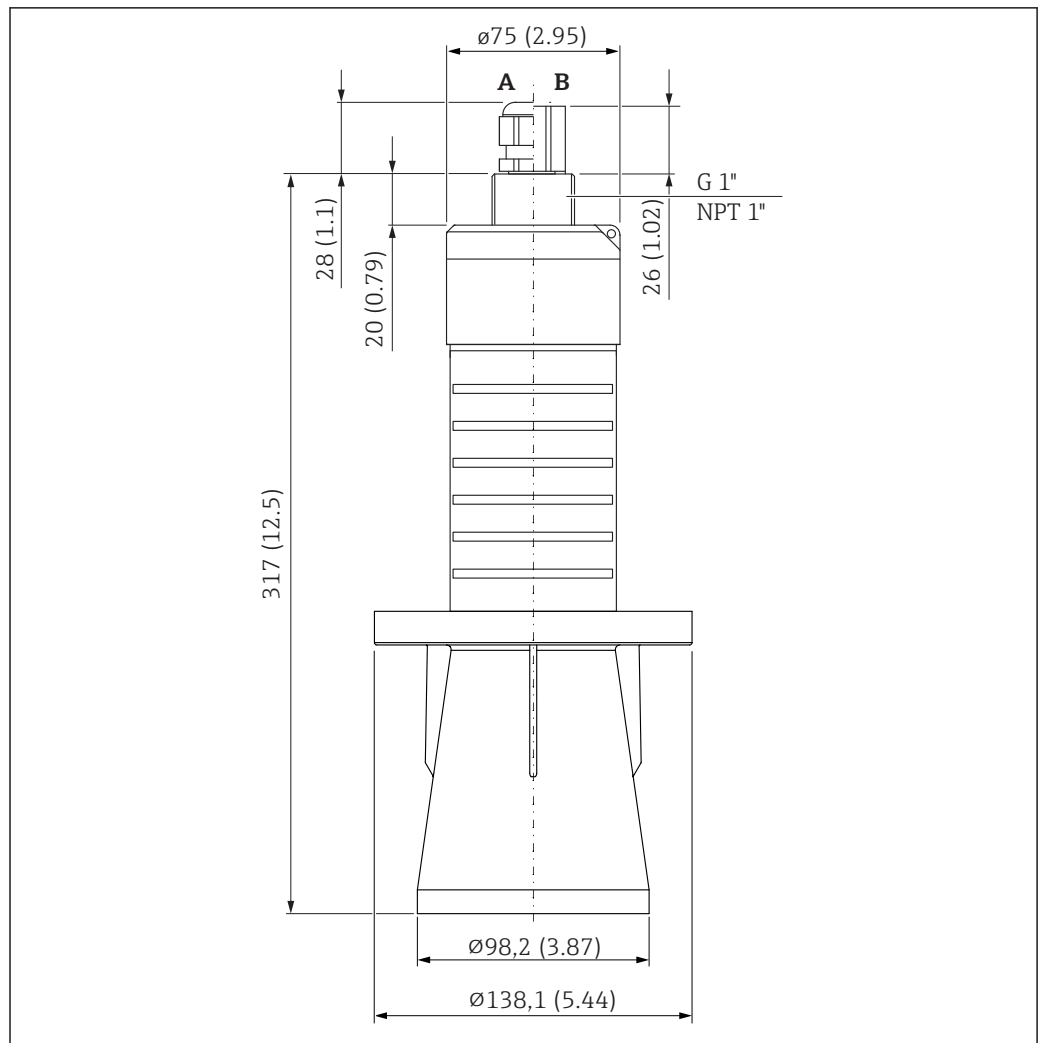
**80 mm (3 in) Antenna**



26 Dimensions of 80 mm (3 in) antenna; engineering unit: mm (in)

- A Cable gland
- B FNPT 1/2" conduit

80 mm (3 in) antenna with flooding protection tube



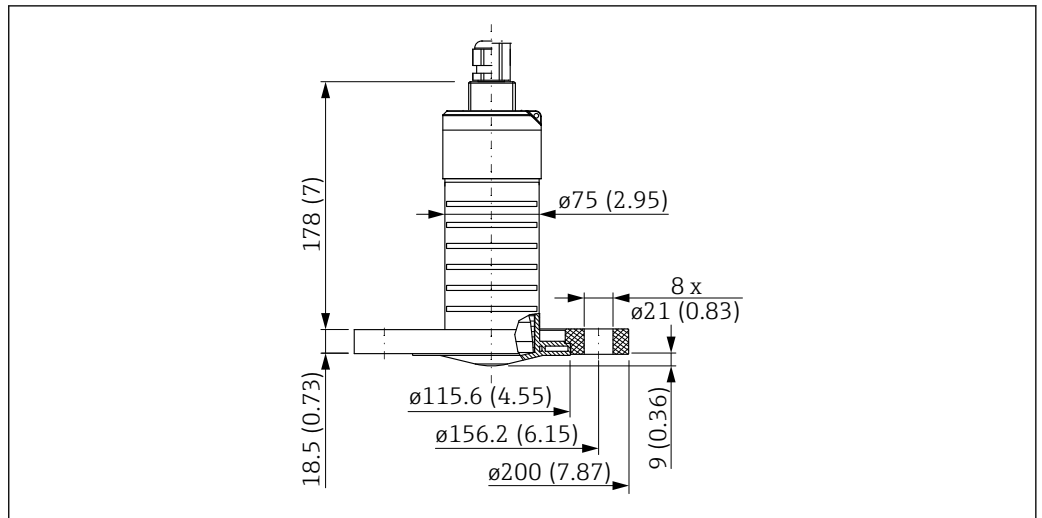
27 Dimensions of 80 mm (3 in) antenna mounted with flooding protection tube, engineering unit: mm (in)

- A Cable gland
- B FNPT 1/2" conduit

The flooding protection tube, metalized PBT-PC, can be ordered together with the device via the product structure "Accessory enclosed".



**80 mm (3 in) antenna with slip-on flange 3"/DN80**

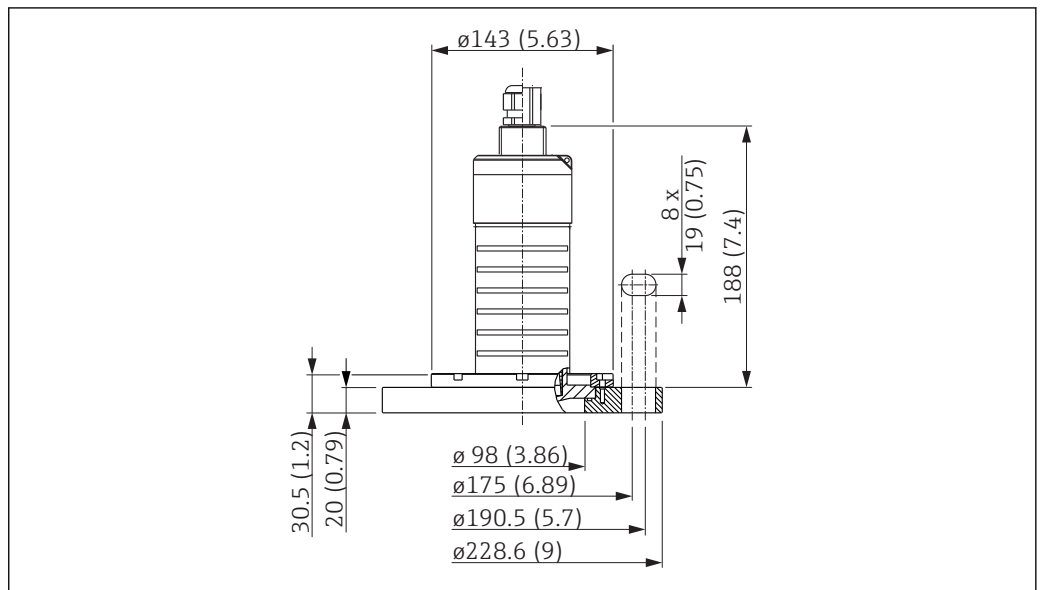


A0028813

28 Dimensions of 80 mm (3 in) antenna with slip-on flange 3"/DN80, engineering unit: mm (in)

The slip-on flange 3"/DN80, PVDF, can be ordered together with the device via the product structure "Accessory enclosed".

**80 mm (3 in) antenna with slip-on flange 4"/DN100**

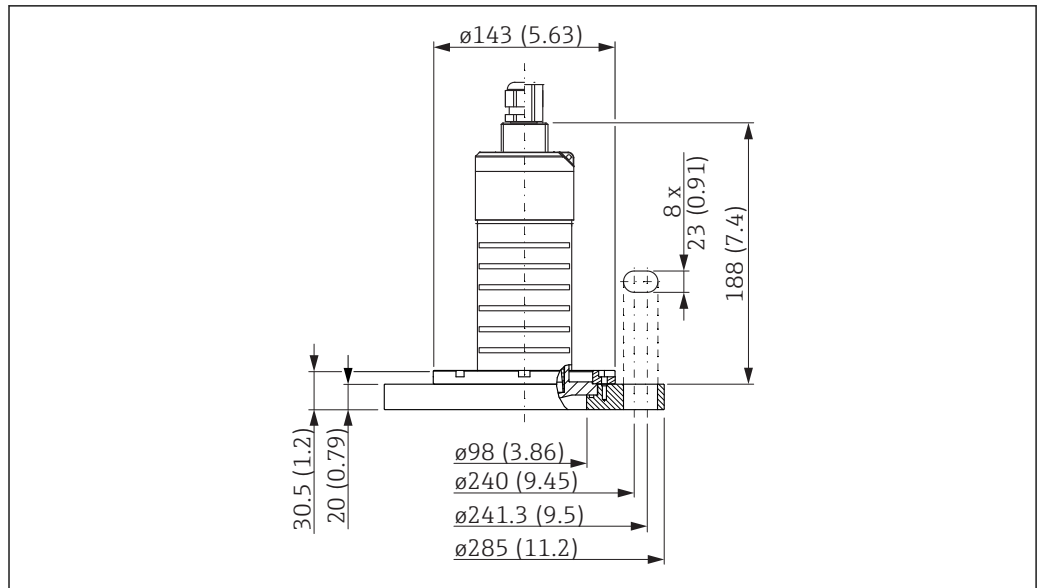


A0028816

29 Dimensions of 80 mm (3 in) antenna with slip-on flange 4"/DN100, engineering unit: mm (in)

The slip-on flange 4"/DN100, PVDF, can be ordered together with the device via the product structure "Accessory enclosed".

80 mm (3 in) antenna with slip-on flange 6"/DN150

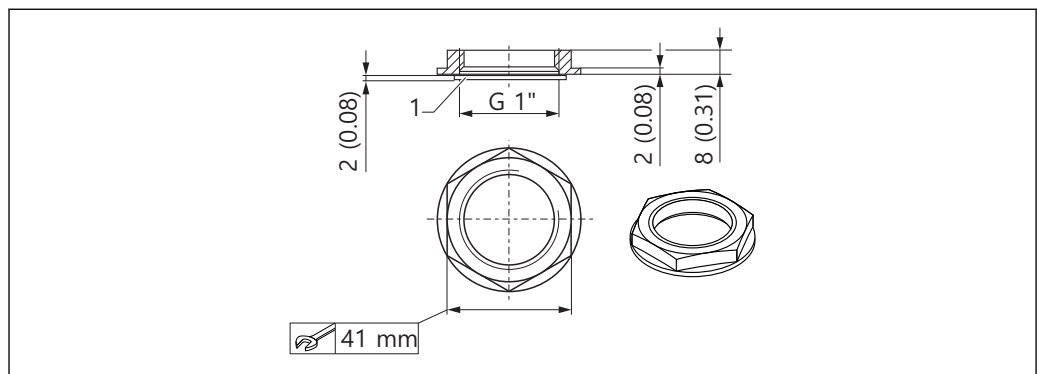


A0028818

30 Dimensions of 80 mm (3 in) antenna with slip-on flange 6"/DN150, engineering unit: mm (in)

The slip-on flange 6"/DN150, PVDF, can be ordered together with the device via the product structure "Accessory enclosed".

Counter nut for process connection, rear side



A0028419

31 Dimensions of counter nut for process connection, rear side, engineering unit: mm (in)

1 Seal

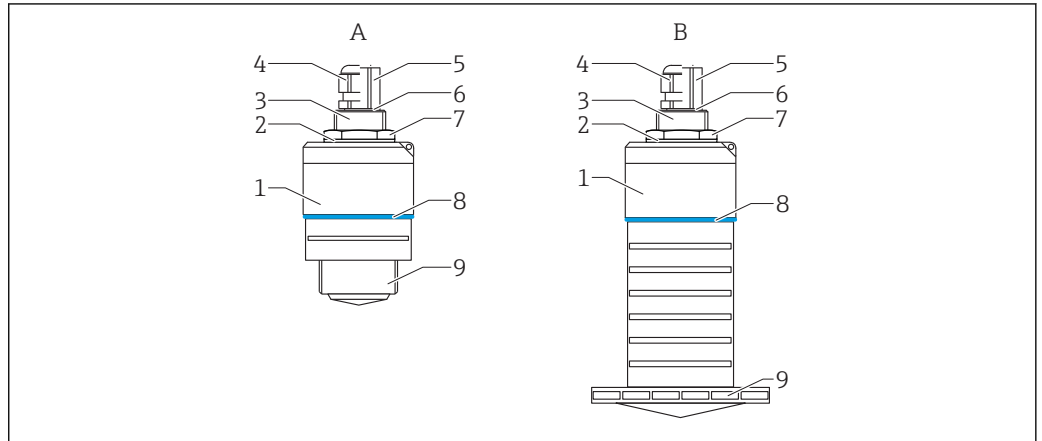
- The counter nut with seal (EPDM) is included in the scope of supply.
- Material: PA66

Weight

Weight (incl. 5 m (16.4 ft) cable)

- Device with 40 mm (1.5 in) antenna: approx. 2.5 kg (5.5 lb)
- Device with 80 mm (3 in) antenna: approx. 2.8 kg (6.2 lb)

**Materials**



A0028416

32 Overview of materials

- A 40 mm (1.5 in) Antenna
- B 80 mm (3 in) Antenna
- 1 Sensor housing; PVDF
- 2 Seal; EPDM
- 3 Process connection, rear side; PVDF
- 4 Cable gland; PA
- 5 Conduit adapter; CuZn nickel-plated
- 6 O-ring; EPDM
- 7 Counter nut; PA6.6
- 8 Design ring; PBT-PC
- 9 Process connection, front side; PVDF

**Connecting cable**

Available cable length: 5 to 300 m (16 to 980 ft)

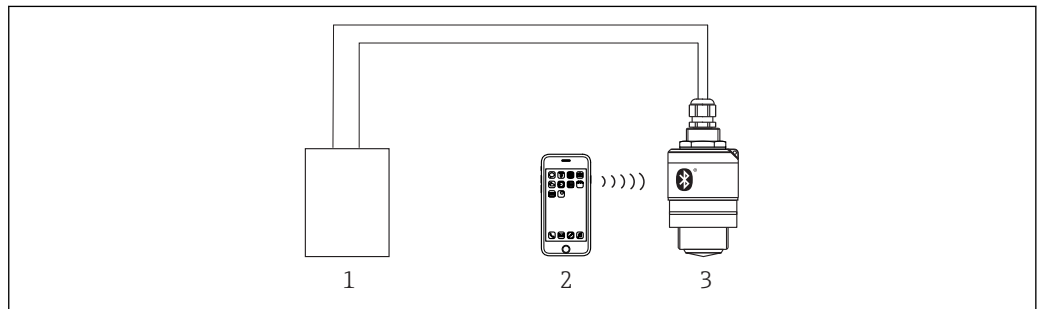
Material : PVC

**Operability**

**Operating concept**

- Modbus
- SmartBlue (app) via Bluetooth® wireless technology
- Menu guidance with brief explanations of the individual parameter functions in the operating tool

**Operation via Bluetooth® wireless technology**

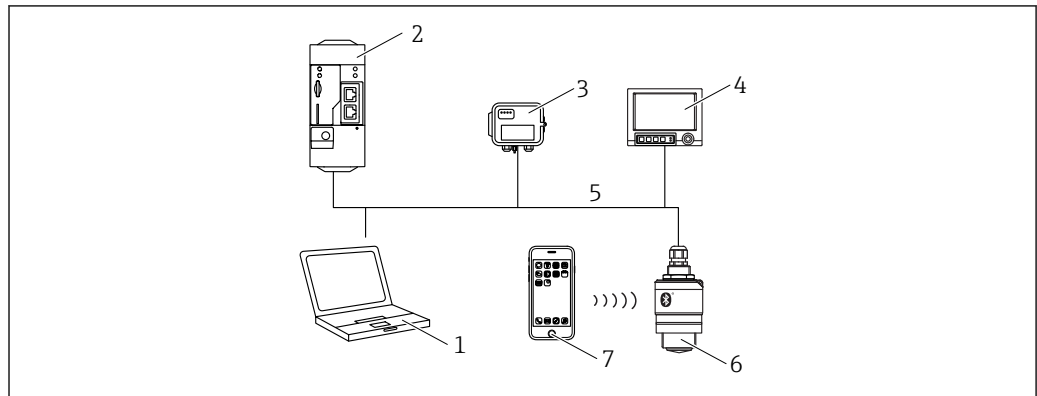


A0028895

33 Possibilities for remote operation via Bluetooth® wireless technology

- 1 Transmitter power supply unit
- 2 Smartphone/tablet with SmartBlue (app)
- 3 Transmitter with Bluetooth® wireless technology

Remote operation via  
Modbus protocol



A0037752

34 Options for remote operation via Modbus protocol

- 1 Computer with Modbus operating tool (client application, terminal application, etc.)
- 2 Remote Transmit Unit (RTU) with Modbus (e.g. Fieldgate FXA42)
- 3 Connect Sensor FXA30B
- 4 Memograph M RSG45
- 5 Modbus RS485
- 6 Transmitter with Modbus and Bluetooth® wireless technology
- 7 Smartphone / tablet with SmartBlue (app)

## Certificates and approvals



The availability of approvals and certificates can be called up daily via the Product Configurator.

<b>CE mark</b>	The measuring system meets the legal requirements of the applicable EC guidelines. These are listed in the corresponding EC Declaration of Conformity together with the standards applied. Endress+Hauser confirms successful testing of the device by affixing to it the CE mark.
<b>RoHS</b>	The measuring system complies with the substance restrictions of the Restriction on Hazardous Substances Directive 2011/65/EU (RoHS 2).
<b>EAC conformity</b>	The measuring system meets the legal requirements of the applicable EAC guidelines. These are listed in the corresponding EAC Declaration of Conformity together with the standards applied. Endress+Hauser confirms successful testing of the device by affixing to it the EAC mark.
<b>RCM-Tick marking</b>	The supplied product or measuring system meets the ACMA (Australian Communications and Media Authority) requirements for network integrity, interoperability, performance characteristics as well as health and safety regulations. Here, especially the regulatory arrangements for electromagnetic compatibility are met. The products are labelled with the RCM- Tick marking on the name plate.



A0029561

<b>Approvals</b>	<ul style="list-style-type: none"> <li>■ Non-hazardous area</li> <li>■ ATEX II 1 G Ex ia IIC T4 Ga</li> <li>■ ATEX II 1/2 G Ex ia IIC T4 Ga/Gb</li> <li>■ CSA C/US General Purpose</li> <li>■ CSA C/US IS CL.I Div.1 Gr.A-D, AEx ia / Ex ia T4</li> <li>■ IEC Ex ia IIC T4 Ga/Gb</li> </ul> <p>Additional safety instructions must be followed for use in hazardous areas. Please refer to the separate "Safety Instructions" (XA) document included in the delivery. Reference to the applicable XA can be found on the nameplate.</p>
------------------	---

<b>Explosion-protected smartphones and tablets</b>	Only mobile end devices with Ex approval may be used in hazardous areas.
--	--

<b>Pressure equipment with allowable pressure ≤ 200 bar (2 900 psi)</b>	<p>Pressure instruments with a flange and threaded boss that do not have a pressurized housing do not fall within the scope of the Pressure Equipment Directive, irrespective of the maximum allowable pressure.</p> <p><b>Reasons:</b></p> <p>According to Article 2, point 5 of EU Directive 2014/68/EU, pressure accessories are defined as "devices with an operational function and having pressure-bearing housings".</p> <p>If a pressure instrument does not have a pressure-bearing housing (no identifiable pressure chamber of its own), there is no pressure accessory present within the meaning of the Directive.</p>
---	---

<b>EN 302729-1/2 radio standard</b>	<p>The devices comply with the LPR (Level Probing Radar) radio standard EN 302729-1/2 and are approved for unrestricted use inside and outside of closed vessels in countries of the EU and EFTA. As a prerequisite, the countries in question must have already implemented this standard.</p> <p>The following countries are those that have currently implemented the standard:</p> <p>Belgium, Bulgaria, Germany, Denmark, Estonia, France, Greece, UK, Ireland, Iceland, Italy, Liechtenstein, Lithuania, Latvia, Malta, The Netherlands, Norway, Austria, Poland, Portugal, Romania, Sweden, Switzerland, Slovakia, Spain, Czech Republic and Cyprus.</p> <p>Implementation is still underway in all of the countries not listed.</p>
-------------------------------------	---

Please note the following for operation of the devices outside of closed vessels:

1. The device must be mounted in accordance with the instructions in the "Installation" section.
2. Installation must be carried out by properly trained, expert staff.
3. The device antenna must be installed in a fixed location pointing vertically downwards.
4. The installation site must be located at a distance of 4 km from the astronomy stations listed below or otherwise approval must be provided by the relevant authority. If the device is installed at a distance of 4 to 40 km from one of the listed stations, it must not be installed at a height of more than 15 m (49 ft) above the ground.

#### Astronomy stations

Country	Name of the station	Latitude	Longitude
Germany	Effelsberg	50°31'32" North	06°53'00" East
Finland	Metsähovi	60°13'04" North	24°23'37" East
	Tuorla	60°24'56" North	24°26'31" East
France	Plateau de Bure	44°38'01" North	05°54'26" East
	Floirac	44°50'10" North	00°31'37" West
Great Britain	Cambridge	52°09'59" North	00°02'20" East
	Damhall	53°09'22" North	02°32'03" West
	Jodrell Bank	53°14'10" North	02°18'26" West
	Knockin	52°47'24" North	02°59'45" West
	Pickmere	53°17'18" North	02°26'38" West
Italy	Medicina	44°31'14" North	11°38'49" East
	Noto	36°52'34" North	14°59'21" East
	Sardinia	39°29'50" North	09°14'40" East
Poland	Fort Skala Krakow	50°03'18" North	19°49'36" East
Russia	Dmitrov	56°26'00" North	37°27'00" East
	Kalyazin	57°13'22" North	37°54'01" East
	Pushchino	54°49'00" North	37°40'00" East
	Zelenchukskaya	43°49'53" North	41°35'32" East
Sweden	Onsala	57°23'45" North	11°55'35" East
Switzerland	Bleien	47°20'26" North	08°06'44" East
Spain	Yebes	40°31'27" North	03°05'22" West
	Robledo	40°25'38" North	04°14'57" West
Hungary	Penc	47°47'22" North	19°16'53" East





As a general rule, the requirements outlined in EN 302729-1/2 must be observed.

#### FCC / Industry Canada

This device complies with Part 15 of the FCC Rules [and with Industry Canada license-exempt RSS standard(s)]. Operation is subject to the following two conditions: (1) this device may not cause harmful interference, and (2) this device must accept any interference received, including interference that may cause undesired operation.

*Le présent appareil est conforme aux CNR d'Industrie Canada applicables aux appareils radio exempts de licence. L'exploitation est autorisée aux deux conditions suivantes: (1) l'appareil ne doit pas produire de brouillage, et (2) l'utilisateur de l'appareil doit accepter tout brouillage radioélectrique subi, même si le brouillage est susceptible d'en compromettre le fonctionnement.*

[Any] Changes or modifications made to this equipment not expressly approved by Endress+Hauser may void the FCC authorization to operate this equipment.

-  This equipment has been tested and found to comply with the limits for a Class B digital device, pursuant to Part 15 of the FCC Rules. These limits are designed to provide reasonable protection against harmful interference in a residential installation. This equipment generates, uses and can radiate radio frequency energy and, if not installed and used in accordance with the instructions, may cause harmful interference to radio communications. However, there is no guarantee that interference will not occur in a particular installation. If this equipment does cause harmful interference to radio or television reception, which can be determined by turning the equipment off and on, the user is encouraged to try to correct the interference by one or more of the following measures:
  - Reorient or relocate the receiving antenna
  - Increase the separation between the equipment and receiver
  - Connect the equipment into an outlet on a circuit different from that to which the receiver is connected
  - Consult the dealer or an experienced radio/TV technician for help
- 
  - The installation of the LPR/TLPR device shall be done by trained installers, in strict compliance with the manufacturer's instructions.
  - The use of this device is on a "no-interference, no-protection" basis. That is, the user shall accept operations of high-powered radar in the same frequency band which may interfere with or damage this device. However, devices found to interfere with primary licensing operations will be required to be removed at the user's expense.
  - Only for usage without the accessory "flooding protection tube", i.e. NOT in the free-field: This device shall be installed and operated in a completely enclosed container to prevent RF emissions, which can otherwise interfere with aeronautical navigation.

---

**Other standards and guidelines**

- IEC/EN 61010-1  
Protection Measures for Electrical Equipment for Measurement, Control, Regulation and Laboratory Procedures
- IEC/EN 55011  
"EMC Emission, RF Emission for Class B". Industrial, scientific and medical equipment – Electromagnetic disturbance characteristics - Limits and methods of measurement
- IEC/EN 61000-4-2  
EMC Immunity, ESD (Performance Criteria A). Electromagnetic compatibility (EMC): Testing and measurement techniques - Electrostatic discharge immunity test (ESD)
- IEC/EN 61000-4-3  
EMC Immunity, RF field susceptibility (Performance Criteria A). Electromagnetic compatibility (EMC): Testing and measurement techniques - Radiated, radio-frequency, electromagnetic field immunity test
- IEC/EN 61000-4-4  
EMC Immunity, bursts (Performance Criteria B). Electromagnetic compatibility (EMC): Testing and measurement techniques - Electrical fast transient/burst immunity test
- IEC/EN 61000-4-5  
EMC Immunity, surge (Performance Criteria B). Electromagnetic compatibility (EMC): Testing and measurement techniques - Surge immunity test
- IEC/EN 61000-4-6  
EMC Immunity, conducted RF (Performance Criteria A). Electromagnetic compatibility (EMC): Testing and measurement techniques - Immunity to conducted disturbances induced by radio-frequency fields
- IEC/EN 61000-4-8  
EMC Immunity, magnetic fields 50 Hz. Electromagnetic compatibility (EMC): Testing and measurement techniques - Power frequency magnetic field immunity test
- EN 61000-6-3  
EMC Emission, conducted RF. EMC: Radiated interference - Residential, commercial and light industry environment
- NAMUR NE 21  
Electromagnetic compatibility (EMC) of industrial process and laboratory control equipment
- NAMUR NE 43  
Standardization of the signal level for the breakdown information of digital transmitters with analog output signal.

- NAMUR NE 107  
Status classification as per NE107
- NAMUR NE 131  
Requirements for field devices for standard applications
- IEEE 802.15.1  
Requirements for the *Bluetooth*® wireless technology interface

## Ordering information

Detailed ordering information is available from the following sources:

- In the Product Configurator on the Endress+Hauser website: [www.endress.com](http://www.endress.com) -> Click "Corporate" -> Select your country -> Click "Products" -> Select the product using the filters and search field -> Open product page -> The "Configure" button to the right of the product image opens the Product Configurator.
- From your Endress+Hauser Sales Center: [www.addresses.endress.com](http://www.addresses.endress.com)



### **Product Configurator - the tool for individual product configuration**

- Up-to-the-minute configuration data
- Depending on the device: Direct input of measuring point-specific information such as measuring range or operating language
- Automatic verification of exclusion criteria
- Automatic creation of the order code and its breakdown in PDF or Excel output format
- Ability to order directly in the Endress+Hauser Online Shop

## Accessories

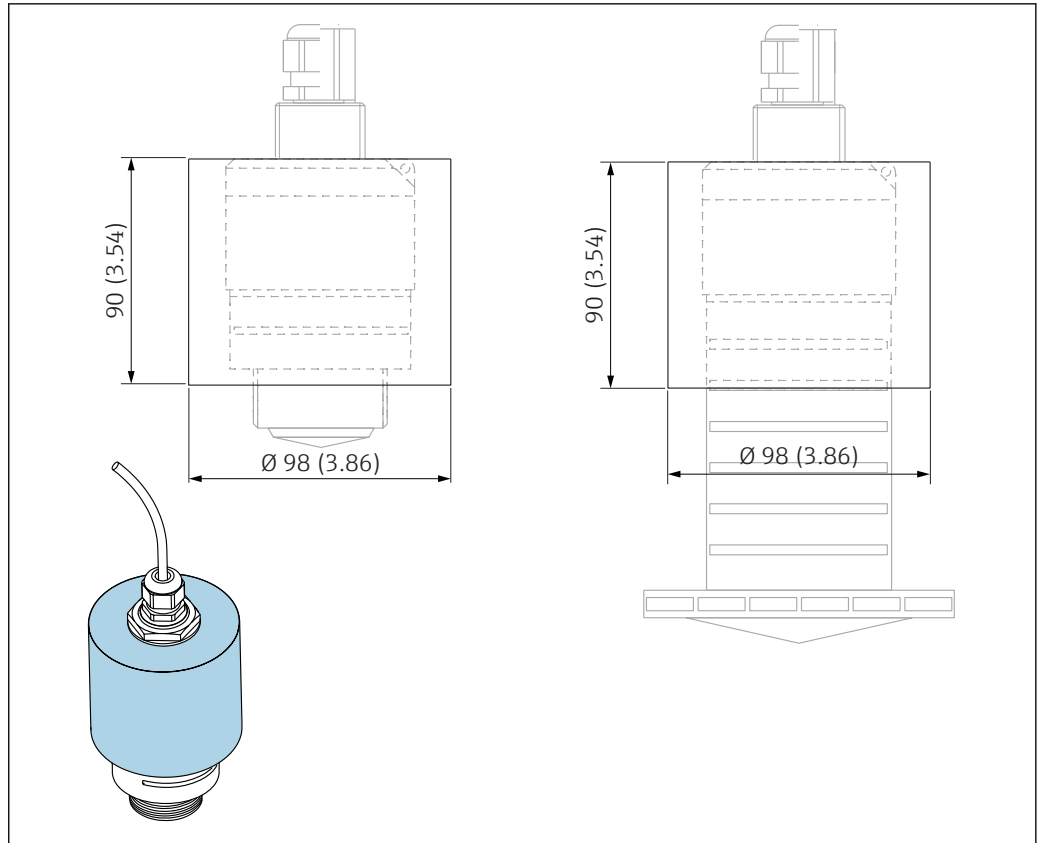
---

### Device-specific accessories

#### Protective cover

The protective cover can be ordered together with the device via the product structure "Accessory enclosed".





A0028841

35 Dimensions of protective cover, engineering unit: mm (in)

**Material**

PVDF

**Order number**

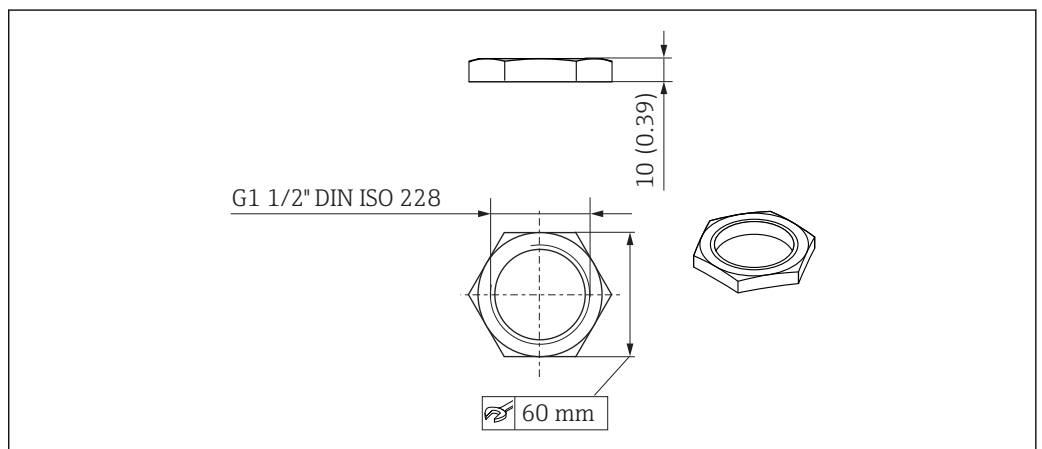
52025686



The sensor is not completely covered in the case of the 40 mm (1.5 in) antenna or the 80 mm (3 in) antenna.

**Securing nut G 1-1/2"**

Suitable for devices with G 1-1/2" and MNPT 1-1/2" process connection.



A0028849

36 Dimensions of securing nut, engineering unit: mm (in)

**Material**

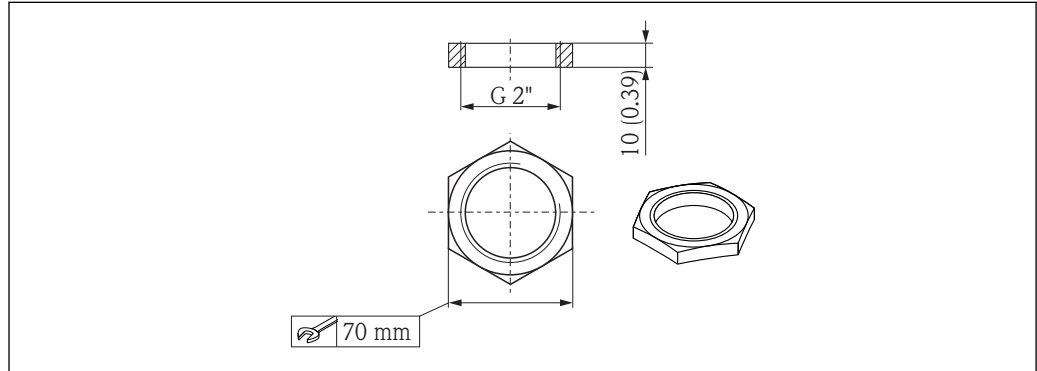
PC

**Order number**

52014146

**Securing nut G 2"**

Suitable for devices with G 2" and MNPT 2" process connection on front.



37 Dimensions of securing nut, engineering unit: mm (in)

A0029101

**Material**

PC

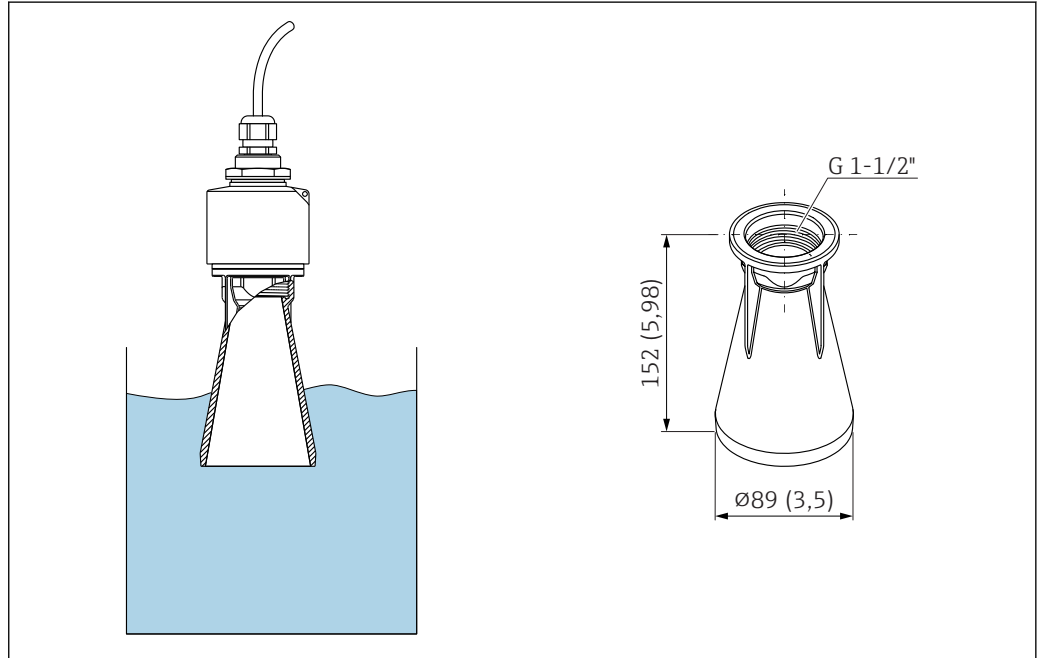
**Order number**

52000598

**Flooding protection tube 40 mm (1.5 in)**

Suitable for use with devices with a 40 mm (1.5 in) antenna and G 1-1/2" process connection on front.

The flooding protection tube can be ordered together with the device via the product structure "Accessory enclosed".



A0028418

38 Dimensions of 40 mm (1.5 in) flooding protection tube, engineering unit: mm (in)

**Material**

PBT-PC, metalized

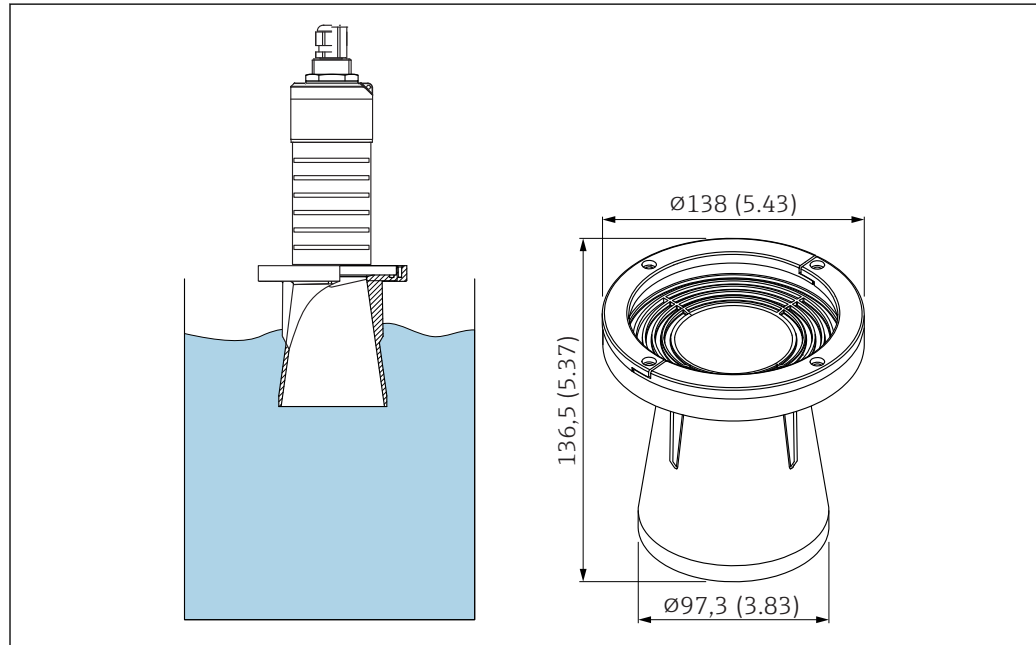
**Order number**

71327051

**Flooding protection tube 80 mm (3 in)**

Suitable for use with devices with a 80 mm (3 in) antenna and "Mounting customer side w/o flange" process connection.

The flooding protection tube can be ordered together with the device via the product structure "Accessory enclosed".



39 Dimensions of 80 mm (3 in) flooding protection tube, engineering unit: mm (in)

**Material**

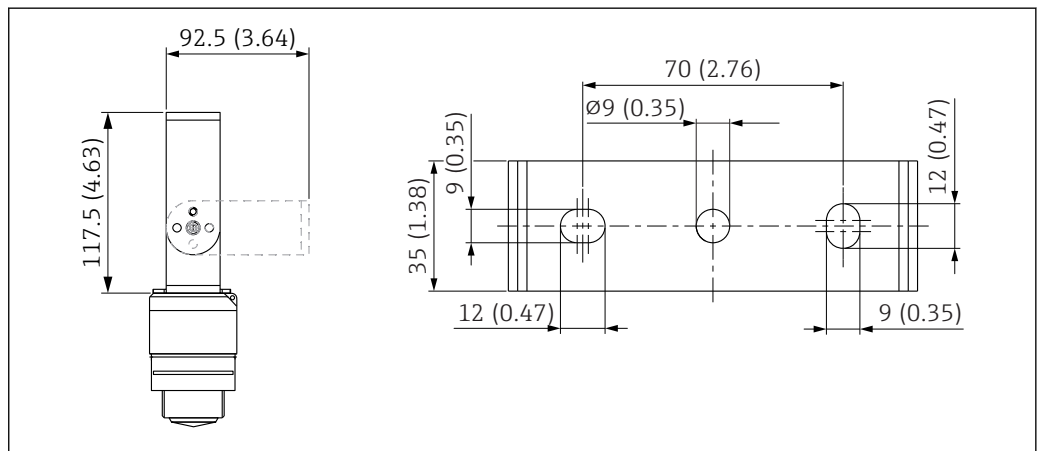
PBT-PC, metalized

**Order number**

71327051

### Mounting bracket, adjustable

The mounting bracket can be ordered together with the device via the product structure "Accessory enclosed".



A0028861

40 Dimensions of mounting bracket, engineering unit: mm (in)

Consists of:

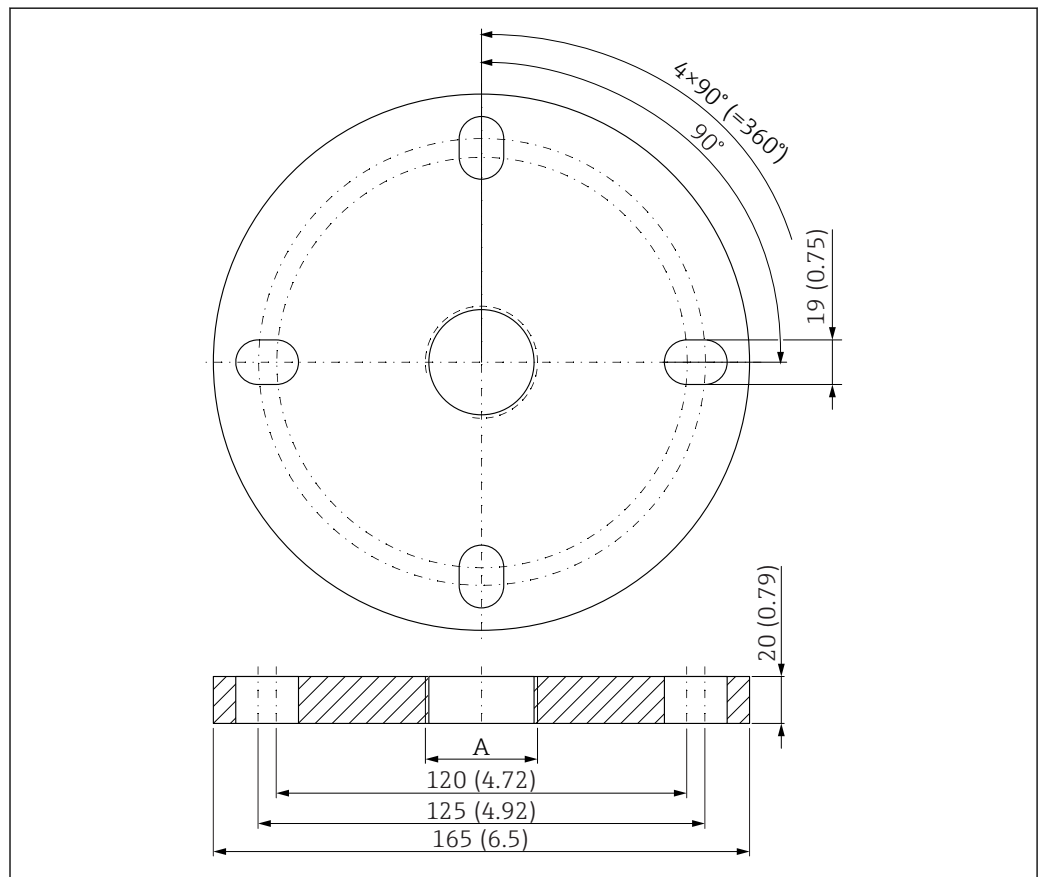
- 1 × mounting bracket, 316L (1.4404)
- 1 × mounting bracket, 316L (1.4404)
- 3 × screws, A4
- 3 × securing disks, A4

**Order number**

71325079

**UNI flange 2"/DN50/50, PP**

The UNI flange 2"/DN50/50 can be ordered together with the device via the product structure "Accessory enclosed".



41 Dimensions of UNI flange 2"/DN50/50, engineering unit: mm (in)

A Sensor connection in accordance with product structure "Process connection on front" or "Process connection on rear"

**Material**

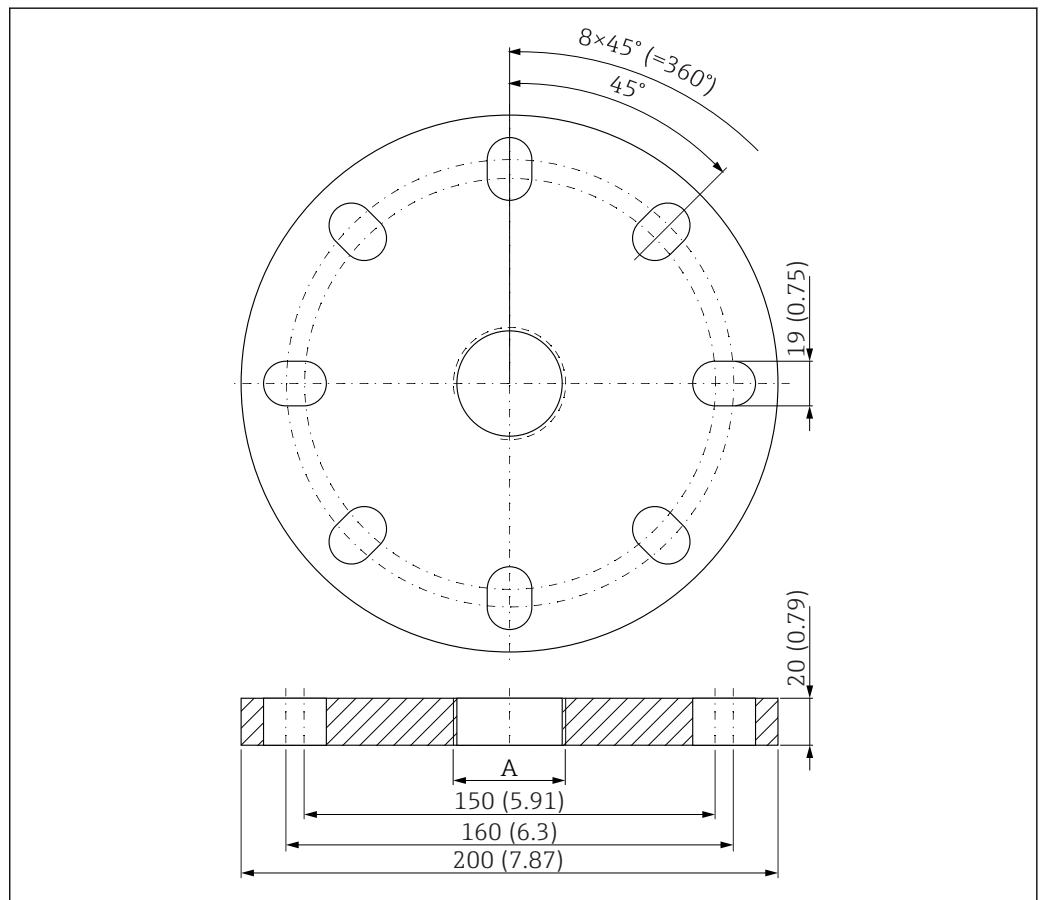
PP

**Order number**

FAX50-####

**UNI flange 3"/DN80/80, PP**

The UNI flange 3"/DN80/80 can be ordered together with the device via the product structure "Accessory enclosed".



42 Dimensions of UNI flange 3"/DN80/80, engineering unit: mm (in)

A Sensor connection in accordance with product structure "Process connection on front" or "Process connection on rear"

**Material**

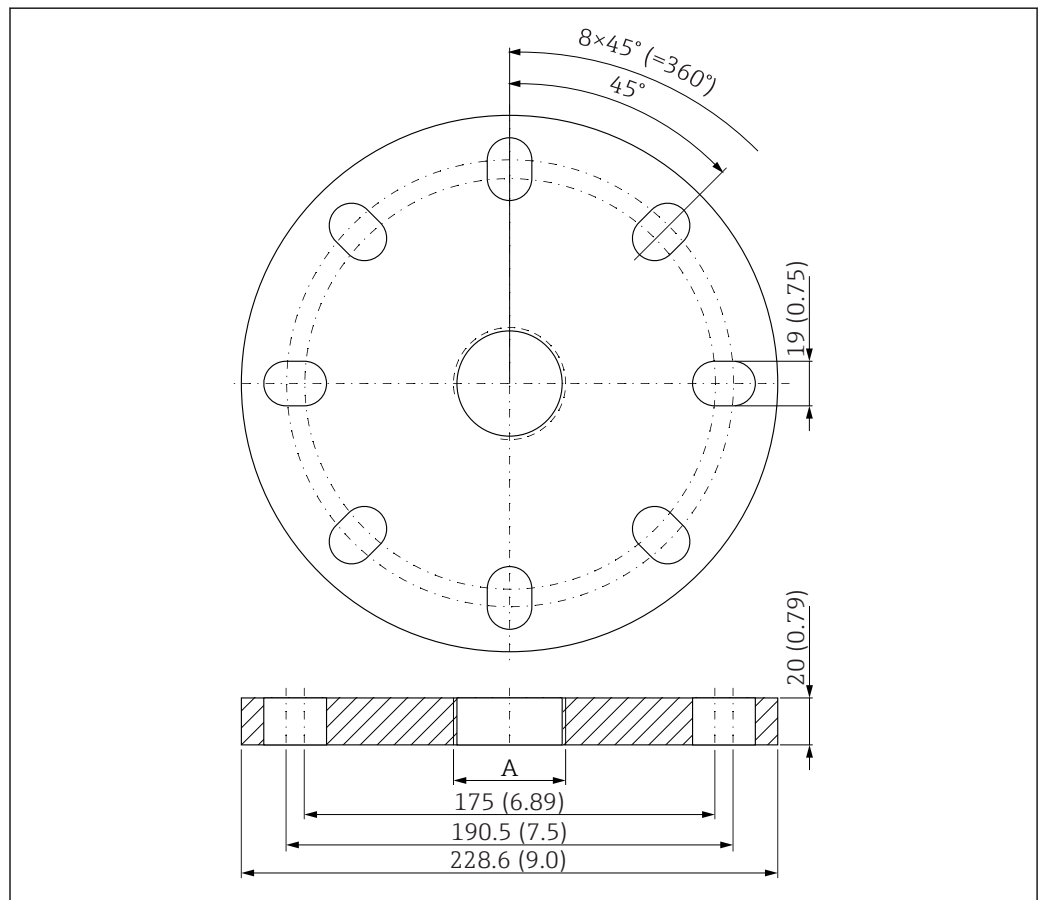
PP

**Order number**

FAX50-####

**UNI flange 4"/DN100/100, PP**

The UNI flange 4"/DN100/100 can be ordered together with the device via the product structure "Accessory enclosed".



A0037948

43 Dimensions of UNI flange 4"/DN100/100, engineering unit: mm (in)

A Sensor connection in accordance with product structure "Process connection on front" or "Process connection on rear"

**Material**

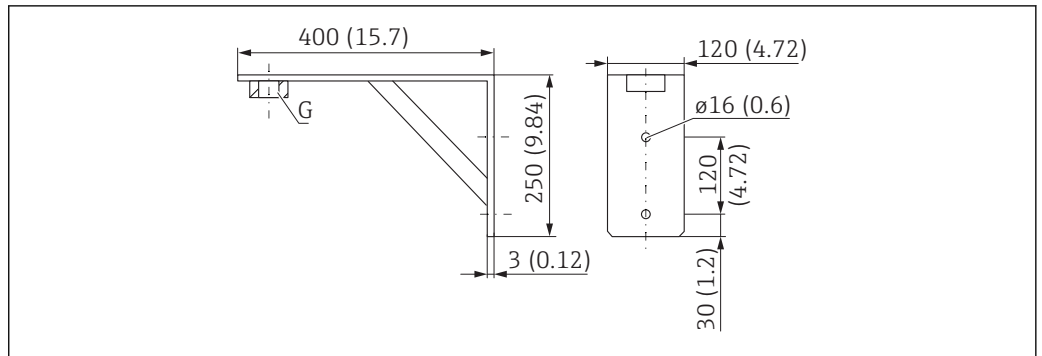
PP

**Order number**

FAX50-####



**Angle bracket for wall mounting**



A0019346

44 Dimensions of angle bracket, engineering unit: mm (in)

G Sensor connection in accordance with product structure "Process connection on front"

**Weight**

3.4 kg (7.5 lb)

**Material**

316 Ti (1.4571)

**Order number for G 1-1/2" process connection**

942669-0000

Also suitable for MNPT 1-1/2"

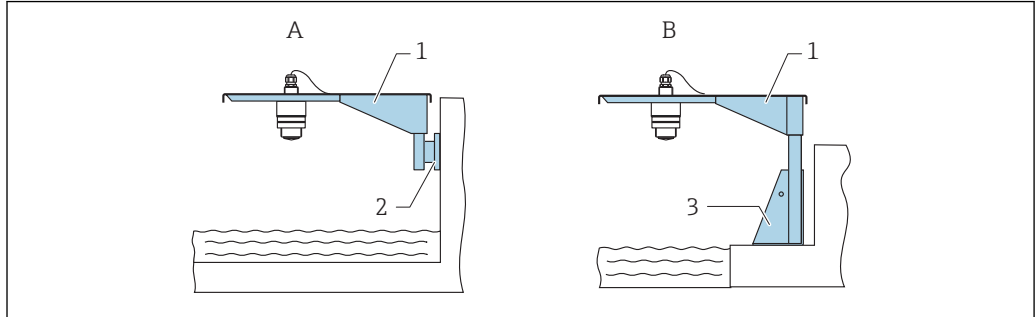
**Order number for G 2" process connection**

942669-0001

Also suitable for MNPT 2"

**Cantilever with pivot**

Installation type sensor process connection rear side

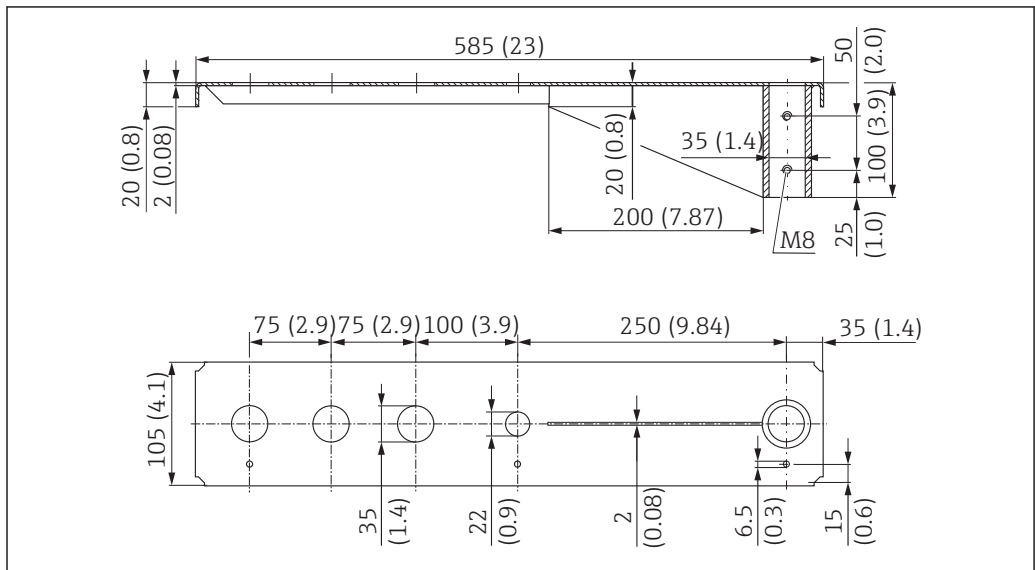


A0028885

45 Installation type sensor process connection rear side

- A Installation with cantilever and wall bracket
- B Installation with cantilever and mounting frame
- 1 Cantilever
- 2 Wall bracket
- 3 Mounting frame

Cantilever (short) with pivot, sensor process connection on rear



A0037806

46 Dimensions of cantilever (short) with pivot for sensor process connection on rear, engineering unit: mm (in)

**Weight:**


2.1 kg (4.63 lb)

**Material: Steel, hot-dip galvanized**

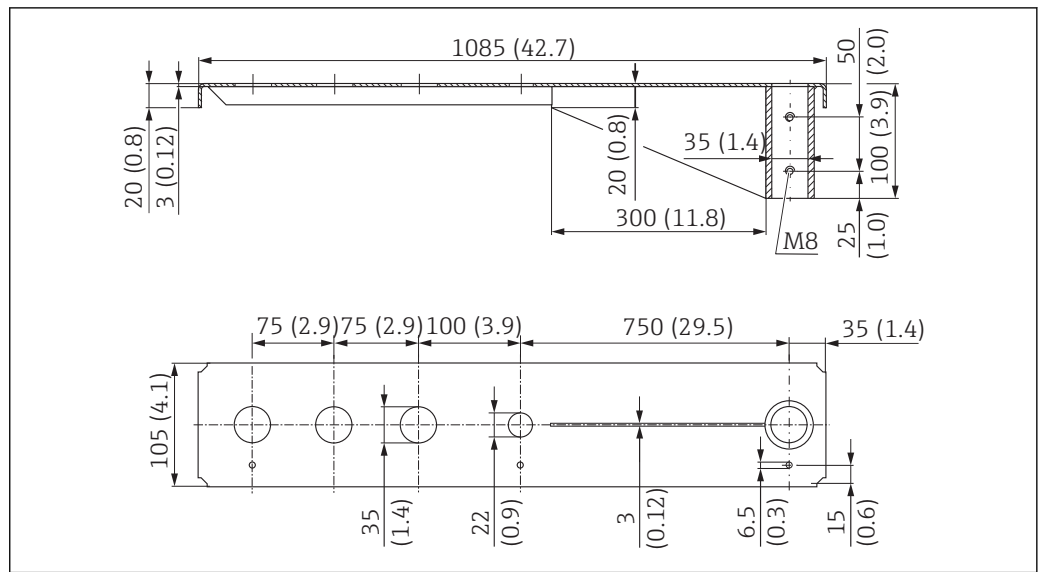
Order number: 919790-0000

**Material: Steel, 316Ti (1.4571)**

Order number: 919790-0001

-  35 mm (1.38 in) openings for all G 1" or MNPT 1" connections on rear
- 22 mm (0.87 in) opening can be used for an additional sensor
- Retaining screws are included in delivery

*Cantilever (long) with pivot, sensor process connection on rear*



47 Dimensions of cantilever (long) with pivot for sensor process connection on rear, engineering unit: mm (in)

**Weight:**


4.5 kg (9.92 lb)

**Material: Steel, hot-dip galvanized**

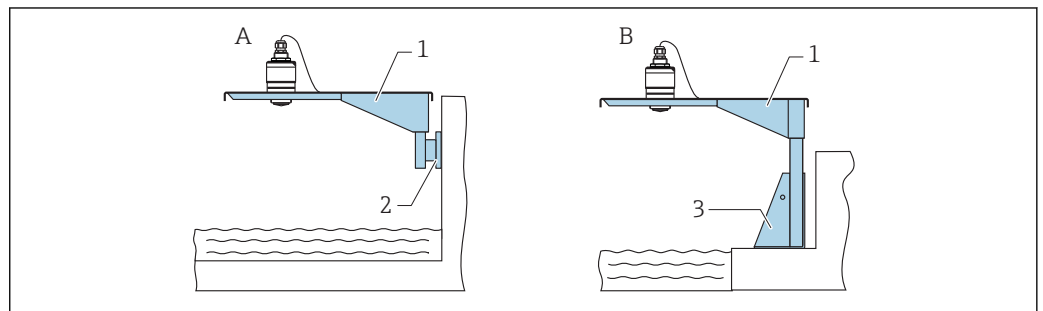
Order number: 919790-0002

**Material: Steel, 316Ti (1.4571)**

Order number: 919790-0003

-  35 mm (1.38 in) openings for all G 1" or MNPT 1" connections on rear
- 22 mm (0.87 in) opening can be used for an additional sensor
- Retaining screws are included in delivery

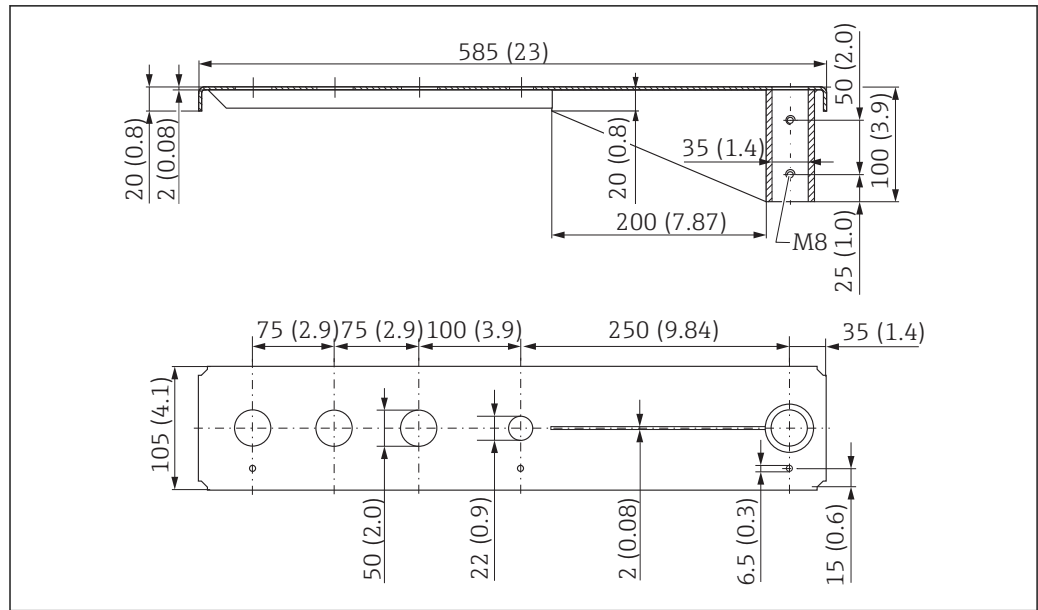
*Installation type sensor process connection front side*



48 Installation type sensor process connection front side

- A Installation with cantilever and wall bracket
- B Installation with cantilever and mounting frame
- 1 Cantilever
- 2 Wall bracket
- 3 Mounting frame

Cantilever (short) with pivot, G 1-½" sensor process connection on front



49 Dimensions of cantilever (short) with pivot for G 1-½" sensor process connection on front, engineering unit: mm (in)

**Weight:**


1.9 kg (4.19 lb)

**Material: Steel, hot-dip galvanized**

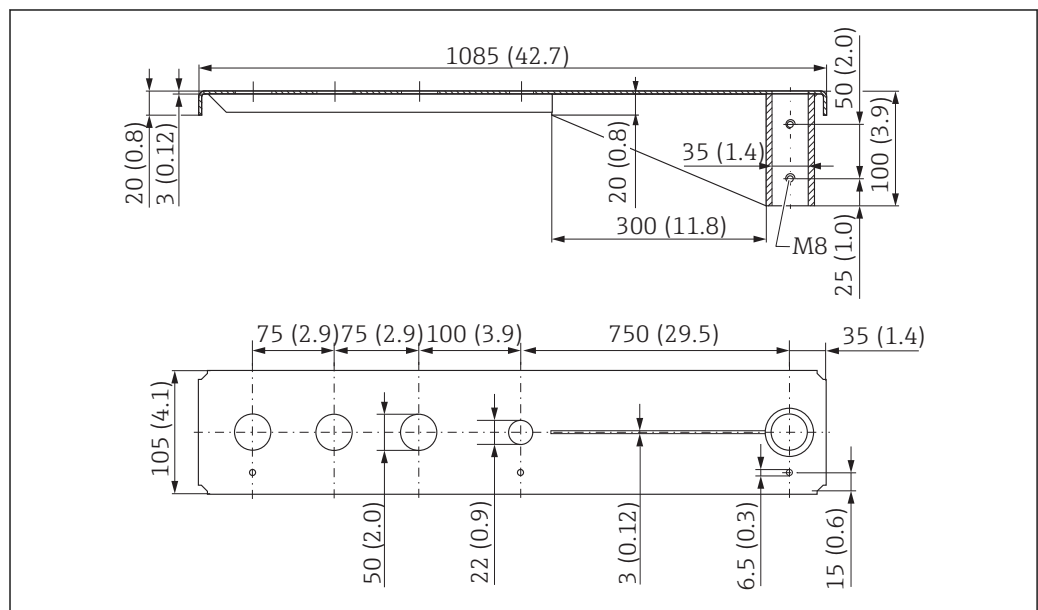
Order number: 52014131

**Material: Steel, 316Ti (1.4571)**

Order number: 52014132

-  50 mm (2.17 in) openings for all G 1-½" (MNPT 1-½") connections on front
- 22 mm (0.87 in) opening can be used for an additional sensor
- Retaining screws are included in delivery

Cantilever (long) with pivot, G 1-½" sensor process connection on front



50 Dimensions of cantilever (long) with pivot for G 1-½" sensor process connection on front, engineering unit: mm (in)

**Weight:**

4.4 kg (9.7 lb)

**Material: Steel, hot-dip galvanized**

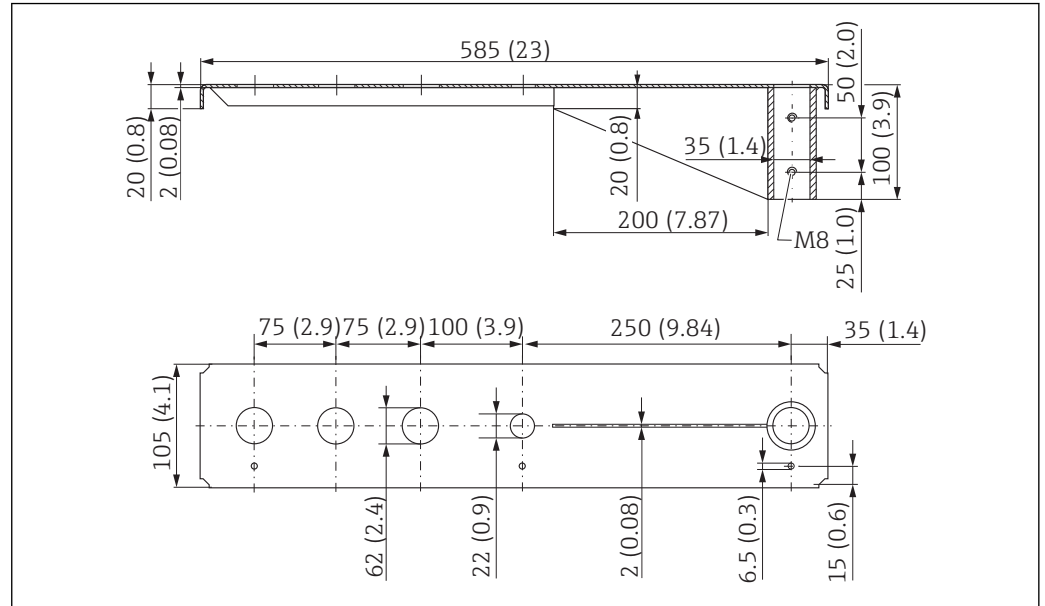
Order number: 52014133

**Material: Steel, 316Ti (1.4571)**

Order number: 52014134

- 50 mm (2.17 in) openings for all G 1-1/2" (MNPT 1-1/2") connections on front
- 22 mm (0.87 in) opening can be used for an additional sensor
- Retaining screws are included in delivery

*Cantilever (short) with pivot, G 2" sensor process connection on front*



51 Dimensions of cantilever (short) with pivot for G 2" sensor process connection on front, engineering unit: mm (in)

**Weight:**

1.9 kg (4.19 lb)

**Material: Steel, hot-dip galvanized**

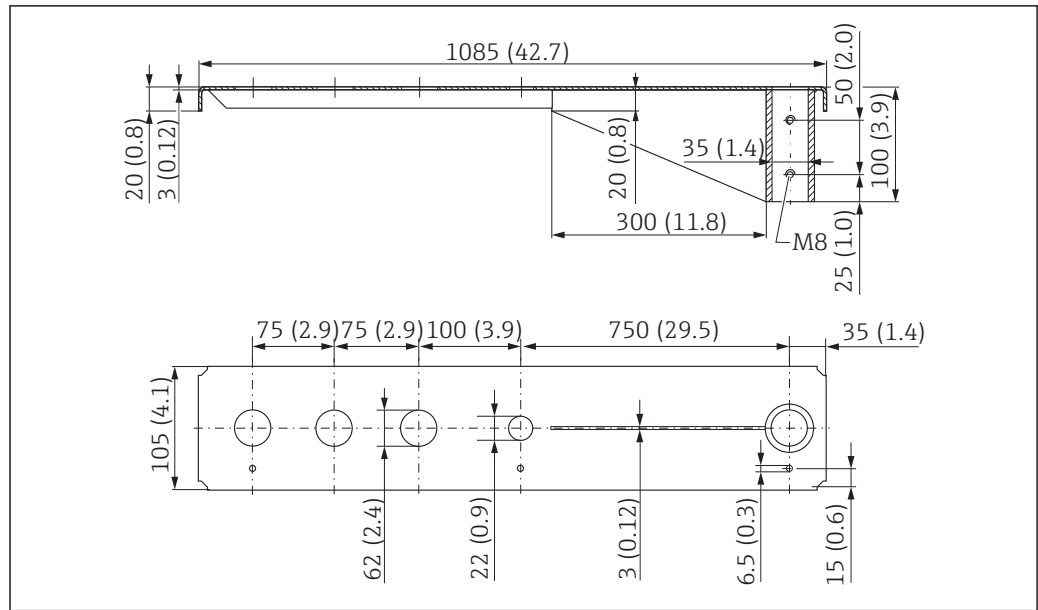
Order number: 52014135

**Material: Steel, 316Ti (1.4571)**

Order number: 52014136

- 62 mm (2.44 in) openings for all G 2" (MNPT 2") connections on front
- 22 mm (0.87 in) opening can be used for an additional sensor
- Retaining screws are included in delivery

Cantilever (long) with pivot, G 2" sensor process connection on front



A0037805

52 Dimensions of cantilever (long) with pivot for G 1-½" sensor process connection on front, engineering unit: mm (in)

**Weight:**


4.4 kg (9.7 lb)

**Material: Steel, hot-dip galvanized**

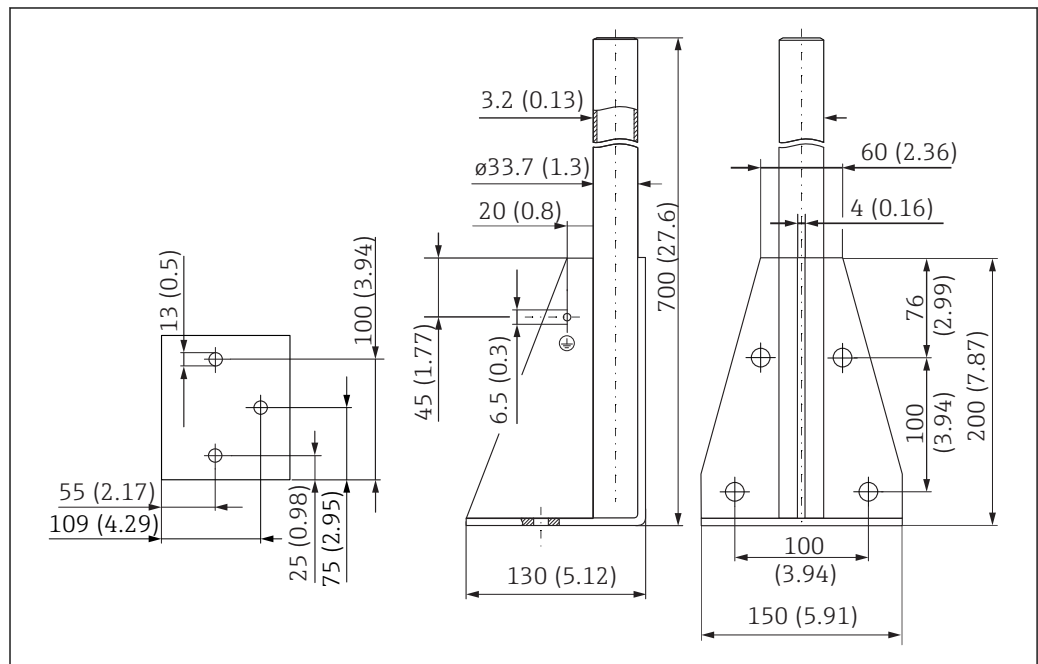
Order number: 52014137

**Material: Steel, 316Ti (1.4571)**

Order number: 52014138

-  62 mm (2.44 in) openings for all G 2" (MNPT 2") connections on front
- 22 mm (0.87 in) opening can be used for an additional sensor
- Retaining screws are included in delivery

Mounting frame (short) for cantilever with pivot



A0037799

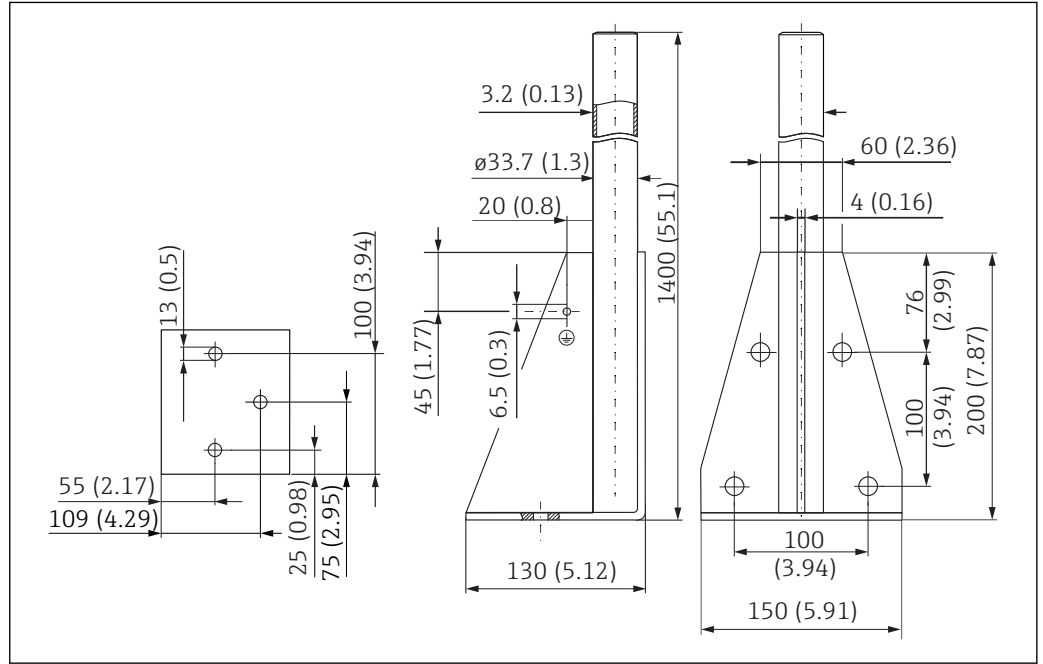
53 Dimensions of mounting frame (short), engineering unit: mm (in)

**Weight:**  
3.2 kg (7.06 lb)

**Material: Steel, hot-dip galvanized**  
Order number: 919791-0000

**Material: Steel, 316Ti (1.4571)**  
Order number: 919791-0001

*Mounting frame (long) for cantilever with pivot*



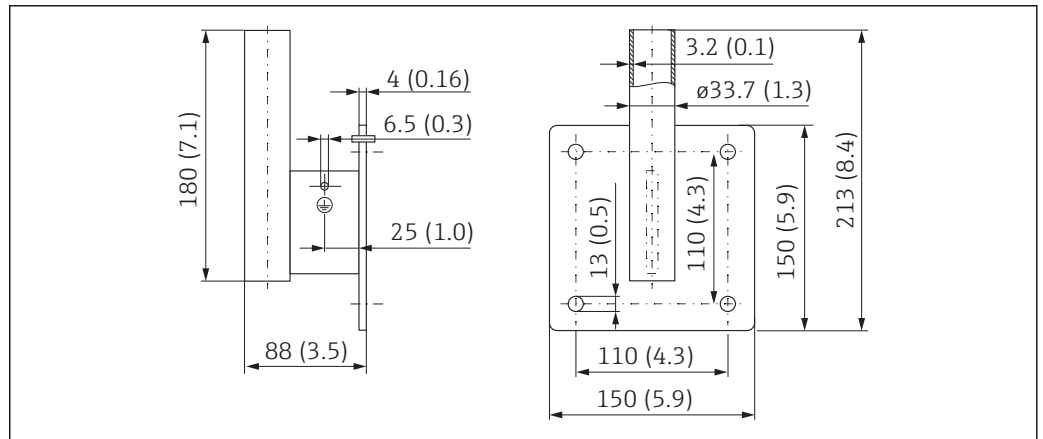
54 Dimensions of mounting frame (long), engineering unit: mm (in)

**Weight:**  
4.9 kg (10.08 lb)

**Material: Steel, hot-dip galvanized**  
Order number: 919791-0002

**Material: Steel, 316Ti (1.4571)**  
Order number: 919791-0003

*Wall bracket for cantilever with pivot*



55 Dimensions of wall bracket, engineering unit: mm (in)

**Weight**

1.4 kg (3.09 lb)

**Order number: Steel, galvanized**

919792-0000

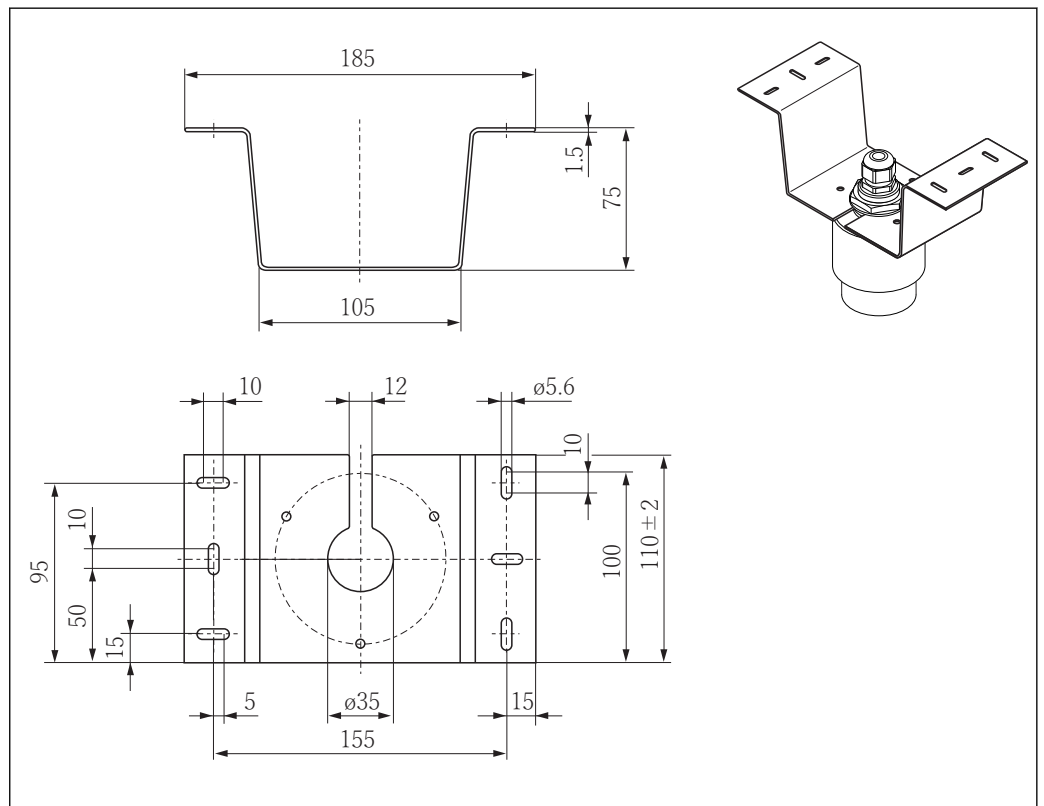
**Order number: 316Ti (1.4571)**

919792-0001



### Ceiling mounting bracket

The ceiling mounting bracket can be ordered together with the device via the product structure "Accessory enclosed".



56 Dimensions of ceiling mounting bracket, engineering unit: mm (in)

#### Material

316L (1.4404)

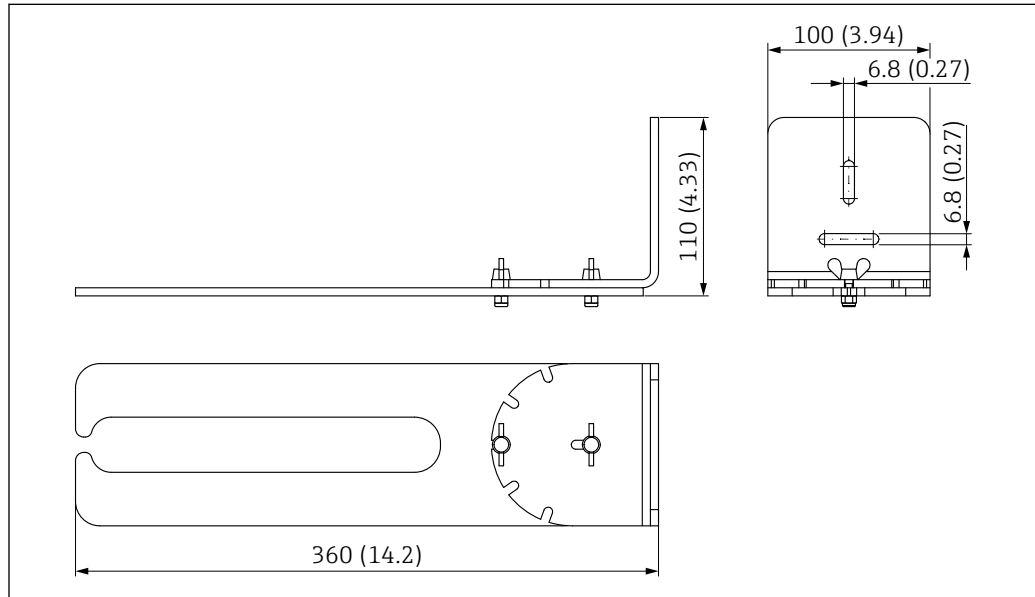
#### Order number

71093130

**Pivoted mounting bracket for sewer channel**

The pivotable mounting bracket is used to install the device in a manhole over a sewer channel.

The mounting bracket can be ordered together with the device via the "Enclosed accessories" section of the product order structure.



57 Dimensions of the pivotable mounting bracket, engineering unit: mm (in)

**Material**

316L (1.4404)

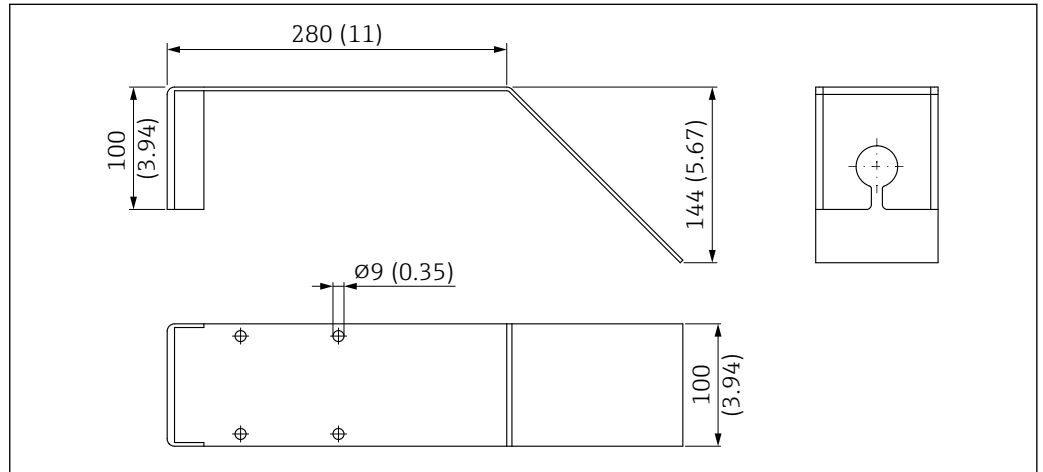
**Order number**

t.b.d.

### Reflector plate for horizontal mounting

The reflector plate is used for installation in confined spaces (sewer shafts).

The reflector plate can be ordered together with the device via the "Enclosed accessories" section of the product order structure.



58 Dimensions of reflector plate, engineering unit: mm (in)

### Material


316L (1.4404)

### Order number

t.b.d.

## Documentation

The following documentation types are available in the Downloads of the Endress+Hauser website ([www.endress.com/downloads](http://www.endress.com/downloads)):

-  For an overview of the scope of the associated Technical Documentation, refer to the following:
  - *W@M Device Viewer* ([www.endress.com/deviceviewer](http://www.endress.com/deviceviewer)): Enter the serial number from nameplate
  - *Endress+Hauser Operations App*: Enter the serial number from the nameplate or scan the 2D matrix code (QR code) on the nameplate

### Brief Operating Instructions (KA)

#### Guide that takes you quickly to the 1st measured value

The Brief Operating Instructions contain all the essential information from incoming acceptance to initial commissioning.

### Operating Instructions (BA)

#### Your reference guide

These Operating Instructions contain all the information that is required in various phases of the life cycle of the device: from product identification, incoming acceptance and storage, to mounting, connection, operation and commissioning through to troubleshooting, maintenance and disposal.

### Safety Instructions (XA)

Depending on the approval, the following Safety Instructions (XA) are supplied with the device. They are an integral part of the Operating Instructions.

-  The nameplate indicates the Safety Instructions (XA) that are relevant to the device.



71426193

[www.addresses.endress.com](http://www.addresses.endress.com)

---