

**EU-Konformitätserklärung
 EU-Declaration of Conformity
 Déclaration UE de Conformité**








Company	Endress+Hauser SE+Co. KG, Hauptstraße 1, 79689 Maulburg erklärt als Hersteller in alleiniger Verantwortung, dass das Produkt declares as manufacturer under sole responsibility, that the product déclare sous sa seule responsabilité en qualité de fabricant que le produit
Product	LEVELFLEX FMP50, FMP51, FMP52, FMP53, FMP54, FMP55, FMP56, FMP57
Regulations	den folgenden Europäischen Richtlinien entspricht: conforms to following European Directives: est conforme aux prescriptions des Directives Européennes suivantes : RED 2014/53/EU (L153/62) RoHS 2011/65/EU (L174/88)
Standards	angewandte harmonisierte Normen oder normative Dokumente: applied harmonized standards or normative documents: normes harmonisées ou documents normatifs appliqués: EN 300328-V2.1.1 (2016) EN 301489-1V2.1.1 (2017) EN 50581 (2012) EN 61010-1 (2010) EN 61326-1 (2013) EN 61326-2-3 (2013) EN 61326-2-5 (2013)

Maulburg, 20.03.2018
 Endress + Hauser SE + Co. KG

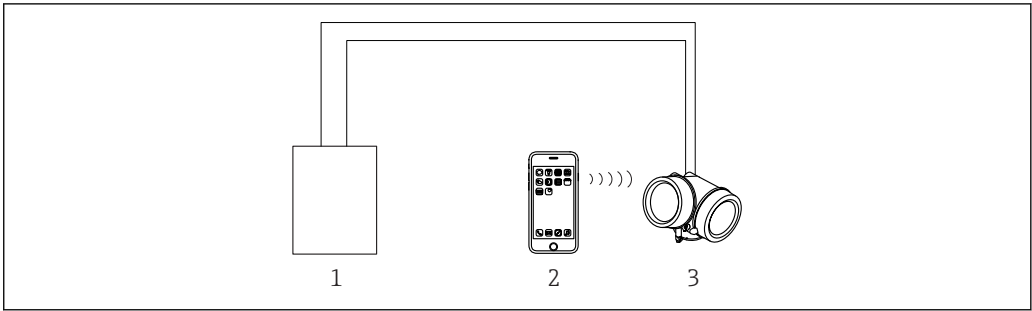
 i.V. Dr. Arno Götz
 Abteilungsleiter Produktsicherheit
 Department Manager Product Safety
 Responsable de certification

EC_00633_01.18

Radio approvals

Europe	<p>This device meets the requirements of the Telecommunications Directive RED 2014/53/EU:</p> <ul style="list-style-type: none"> ■ EN 300 328 V2.1.1 ■ EN 301 489-1 V2.1.1 ■ EN 301 489-17 V3.1.1 ■ EN 62311: 2008
Canada and United States	<p>English</p> <p>This device complies with Part 15 of the FCC Rules and with Industry Canada licence-exempt RSS standard(s).</p> <p>Operation is subject to the following two conditions:</p> <ul style="list-style-type: none"> ■ This device may not cause harmful interference, and ■ This device must accept any interference received, including interference that may cause undesired operation. <p> Changes or modifications made to this equipment not expressly approved by Endress+Hauser SE+Co. KG may void the FCC authorization to operate this equipment.</p> <p> This equipment has been tested and found to comply with the limits for a Class B digital device, pursuant to Part 15 of the FCC Rules. These limits are designed to provide reasonable protection against harmful interference in a residential installation. This equipment generates, uses and can radiate radio frequency energy and, if not installed and used in accordance with the instructions, may cause harmful interference to radio communications. However, there is no guarantee that interference will not occur in a particular installation. If this equipment does cause harmful interference to radio or television reception, which can be determined by turning the equipment off and on, the user is encouraged to try to correct the interference by one or more of the following measures:</p> <ul style="list-style-type: none"> ■ Reorient or relocate the receiving antenna. ■ Increase the separation between the equipment and receiver. ■ Connect the equipment into an outlet on a circuit different from that to which the receiver is connected. ■ Consult the dealer or an experienced radio/TV technician for help. <p> Radiofrequency radiation exposure information</p> <p>This equipment complies with FCC and IC radiation exposure limits set forth for an uncontrolled environment. This equipment should be installed and operated with minimum distance of 20 cm between the radiator and your body.</p> <p>This transmitter must not be co-located or operating in conjunction with any other antenna or transmitter.</p> <p>Français</p> <p>Le présent appareil est conforme aux CNR d'industrie Canada applicables aux appareils radio exempts de licence.</p> <p>L'exploitation est autorisée aux deux conditions suivantes :</p> <ul style="list-style-type: none"> ■ L'appareil ne doit pas produire de brouillage, et ■ L'utilisateur de l'appareil doit accepter tout brouillage radioélectrique subi, même si le brouillage est susceptible d'en compromettre le fonctionnement. <p> Les changements ou modifications apportées à cet appareil non expressément approuvée par Endress+Hauser SE+Co. KG peut annuler l'autorisation FCC d'utiliser cet appareil.</p> <p> Déclaration d'exposition aux radiations</p> <p>Cet équipement est conforme aux limites d'exposition aux rayonnements IC établies pour un environnement non contrôlé. Cet équipement doit être installé et utilisé avec un minimum de 20 cm de distance entre la source de rayonnement et votre corps.</p> <p>Ce transmetteur ne doit pas être placé au même endroit ou utilisé simultanément avec un autre transmetteur ou antenne.</p>
Japan	<p>Japanese Radio Law and Japanese Telecommunications Business Law Compliance.</p> <p>This device is granted pursuant to the Japanese Radio Law (電波法) and the Japanese Telecommunications Business Law (電気通信事業法).</p> <p>This device should not be modified (otherwise the granted designation number will become invalid).</p>

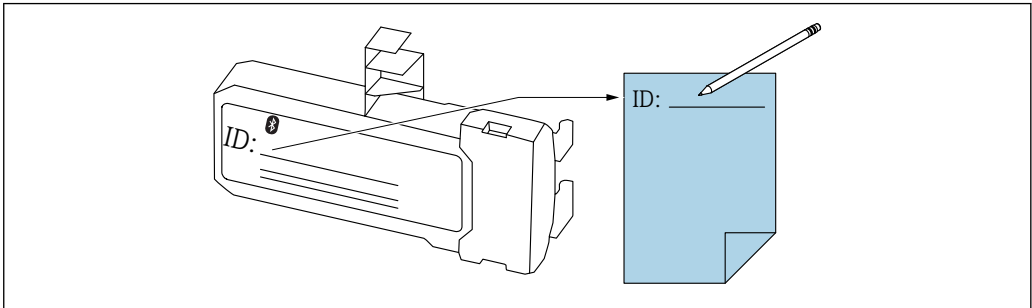
Operation via Bluetooth® wireless technology



A0034939

- 1 Possibilities for remote operation via Bluetooth® wireless technology
- 1 Transmitter power supply unit
- 2 Smartphone / tablet with SmartBlue (app)
- 3 Transmitter with Bluetooth® wireless technology

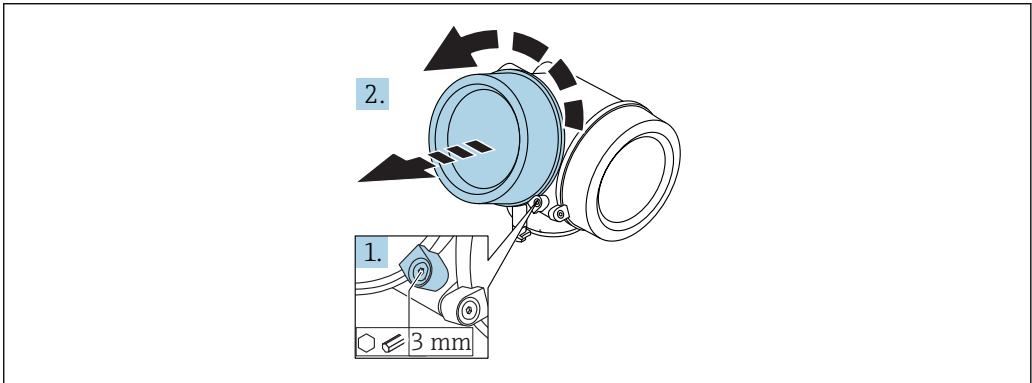
Preparing installation of the Bluetooth module



A0036446

Note down the ID of the Bluetooth module. The ID serves as the initial device password in SmartBlue.

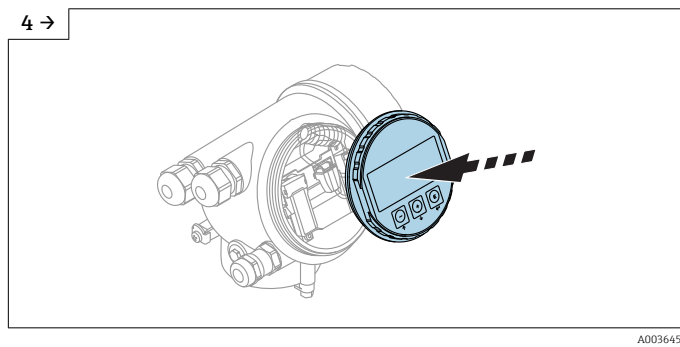
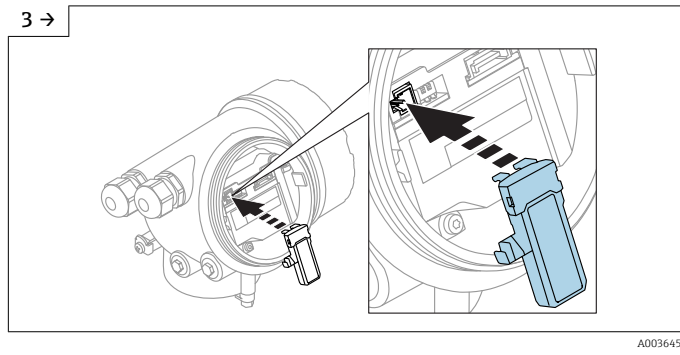
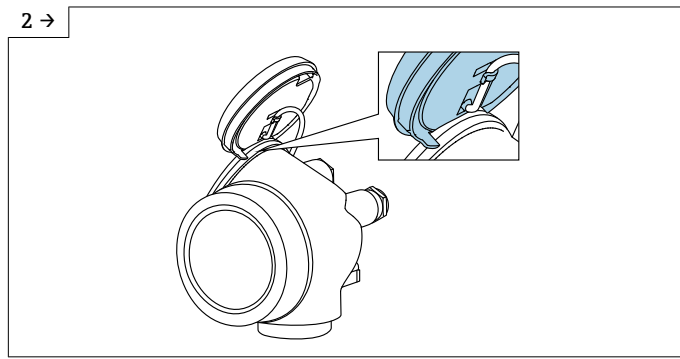
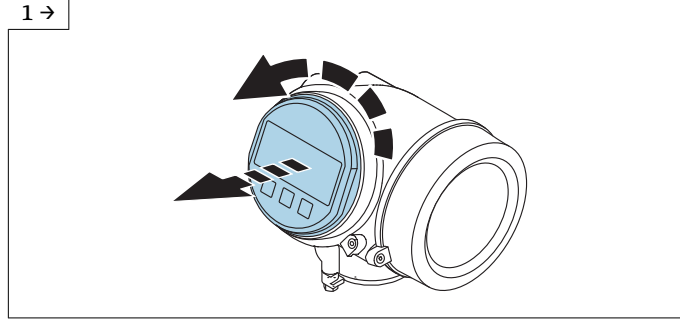
Opening cover

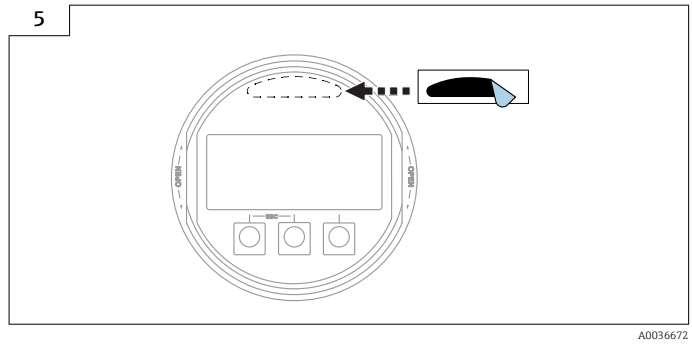


A0021430

- 1. Loosen the screw of the securing clamp of the electronics compartment cover using an Allen key (3 mm) and turn the clamp 90° counterclockwise.
- 2. Unscrew cover and check lid gasket, replace if necessary.

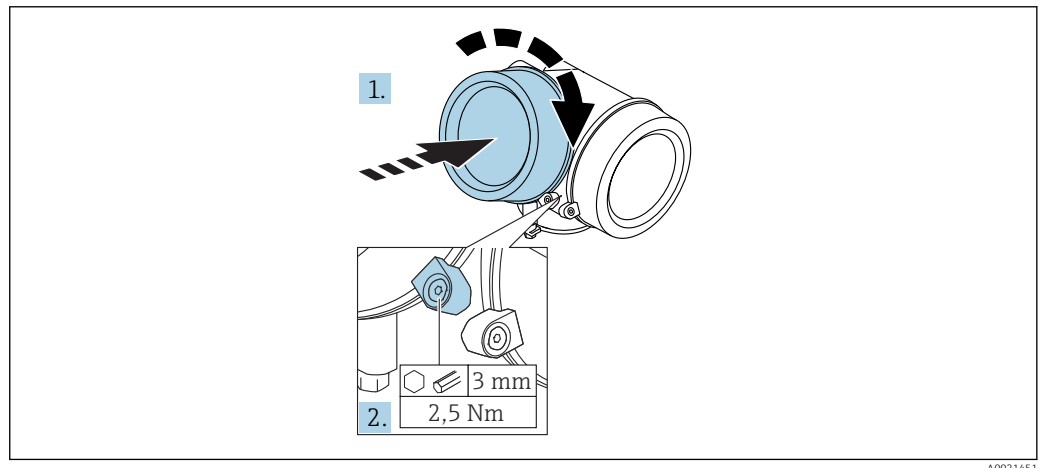
Mounting the Bluetooth module





- For FCC / IC applications: If not yet present, affix the "FCC / IC approval" sticker to the display.

Closing electronics compartment cover



1. Screw back firmly electronics compartment cover.
2. Turning securing clamp 90° clockwise and tighten the clamp with 2.5 Nm using the Allen key (3 mm).

Commissioning via SmartBlue (app)

Requirements

Device requirements

Commissioning via SmartBlue is only possible if the device has a Bluetooth module.

System requirements SmartBlue

SmartBlue is available as download for Android devices from the Google Play Store and for iOS devices from the iTunes Store.

- iOS devices:
 - iPhone 4S or higher from iOS9.0; iPad2 or higher from iOS9.0; iPod Touch 5th generation or higher from iOS9.0
- Devices with Android:
 - from Android 4.4 KitKat and *Bluetooth*® 4.0

Initial password

The ID of the Bluetooth module serves as the initial password used to establish the first connection to the device. It can be found:

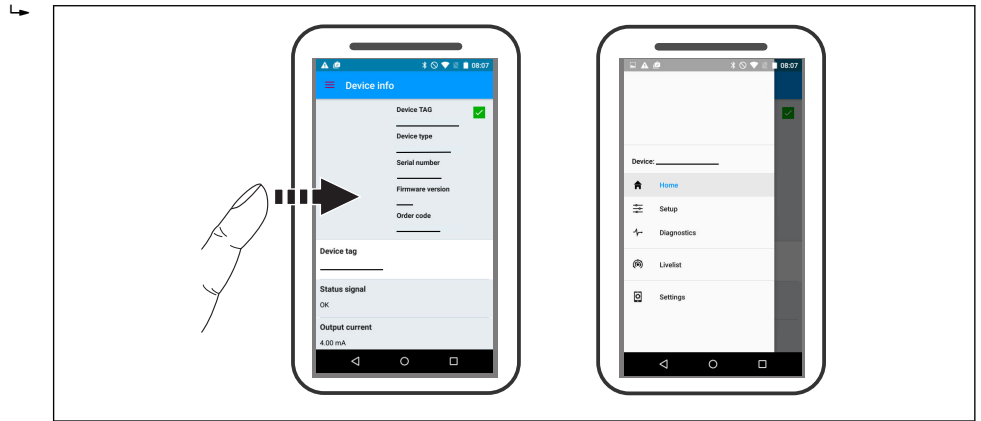
- on the information sheet which is supplied with the device. This serial number specific sheet is also stored in *W@M*.
- on the nameplate of the Bluetooth module.

4. Perform login



6 Login

5. Enter user name -> admin
6. Enter initial password -> ID of the Bluetooth module
7. Change the password after logging in for the first time
8. By wiping from the side, additional information (e.g. main menu) can be dragged into the image



7 Main menu

i Envelope curves can be displayed and recorded

Additionally to the envelope curve, the following values are displayed:

- D = Distance
- L = Level
- A = Absolute amplitude
- In the case of screenshots, the displayed section (zoom function) is saved
- In video sequences, always the whole area without zoom function is saved

It is also possible to send envelope curves (video sequences) using the relevant smartphone or tablet functions.

DRAFT DRAFT DRAFT DRAFT DRAFT DRAFT DRAFT DRAFT DRAFT DRAFT DRAFT DRAFT DRAFT DRAFT DRAFT



