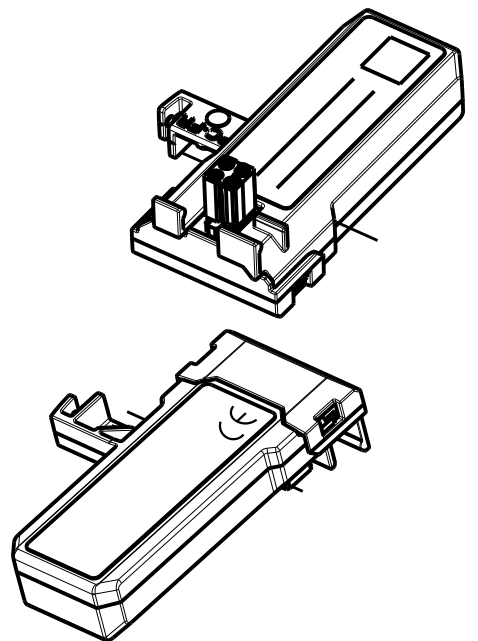
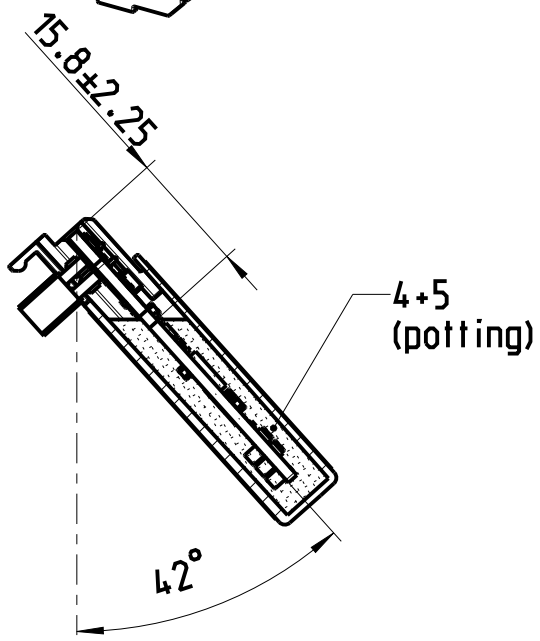
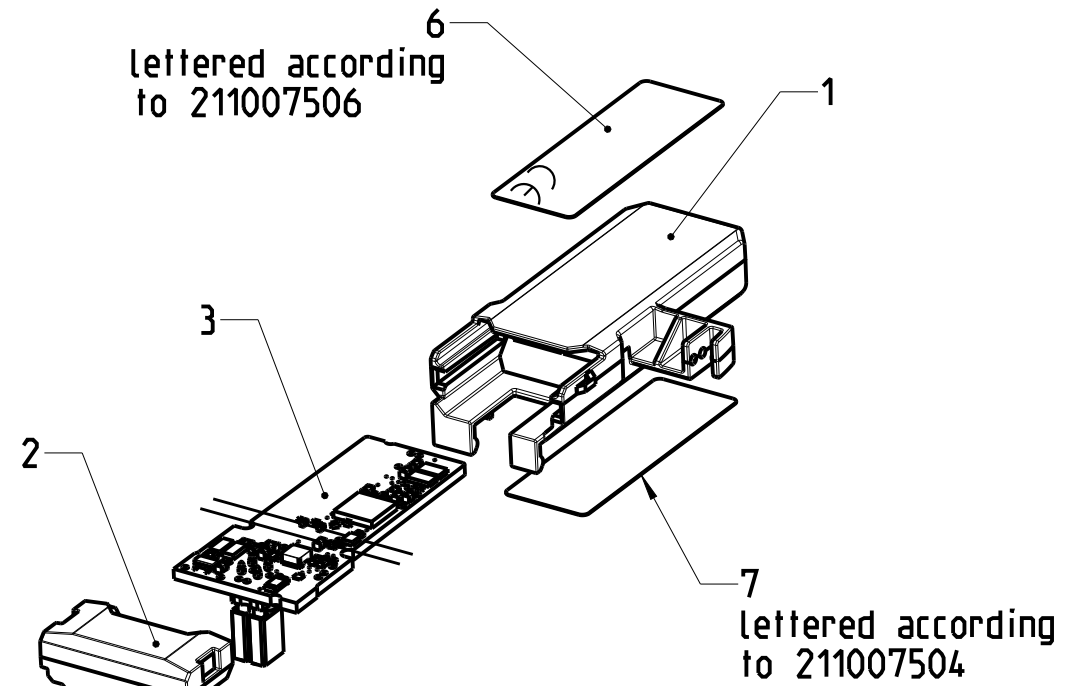


1 2 3 4

A  
B  
C  
D  
E  
F

lettered according  
to 211007506



EDGES OF UNDEFINED SHAPE  
GPS-GEOMETRICAL TOLERANCING  
GPS-INDICATION OF SURFACE TEXTURE  
ISO 13775  
ISO 1101  
ISO 1302  
GPS-FUNDAMENTALS  
ISO 8015  
GPS-DIMENSIONAL TOLERANCING  
ISO 14405  
GPS-DRAWING INDICATIONS  
ISO 10135

**Endress+Hauser**  
Endress+Hauser GmbH+Co. KG  
79689 Maulburg, Germany

Refer to protection notice ISO 16016  
Classification internal



Scale  
**1:1**

Tolerance  
-

Title

Notif. no.

Designed

Number of changes

Drawing chng.

B/

Status

Welding contr.

In Work

Approval contr.

No. of document

Version

Doc. part

**211007501**

**B**

**000**

Weight 1239.364 kg

Volume 9.143 cm<sup>3</sup>

Material

SAP material no.

Format

Sheet

**71378578**

DIN A4

1/1

BT Modul  
BT Modul

Draft

Endress+Hauser