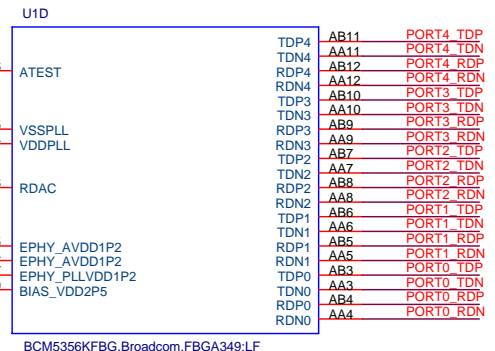
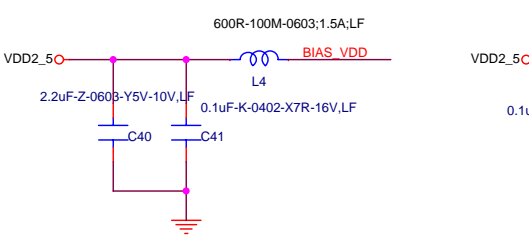
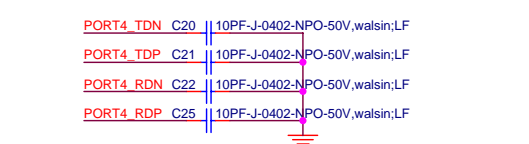
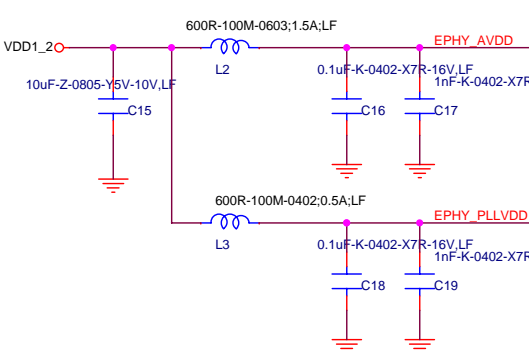
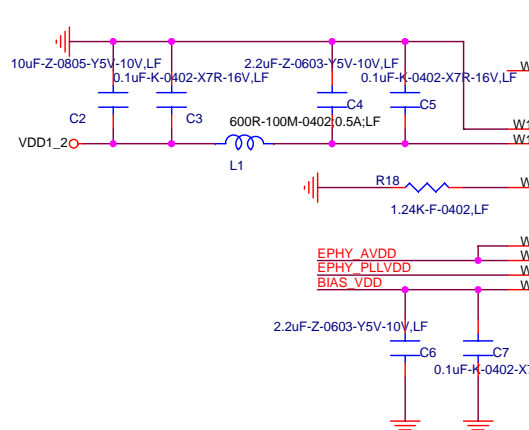
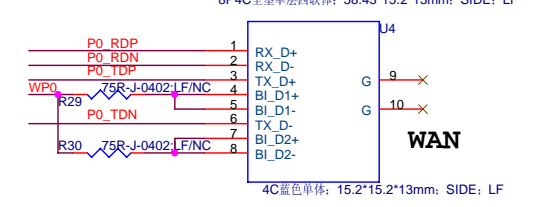
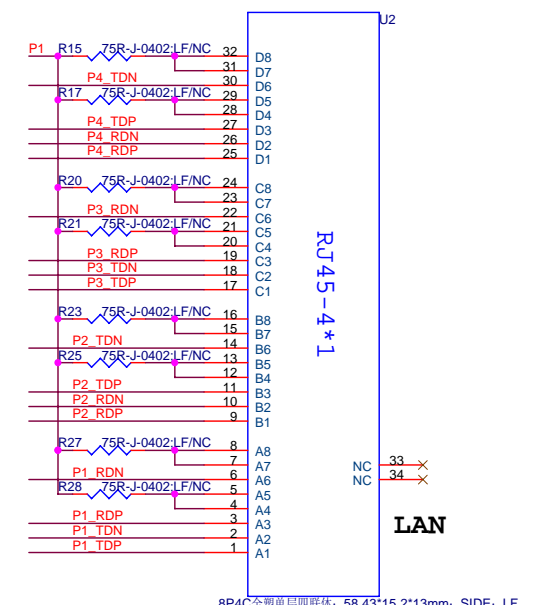
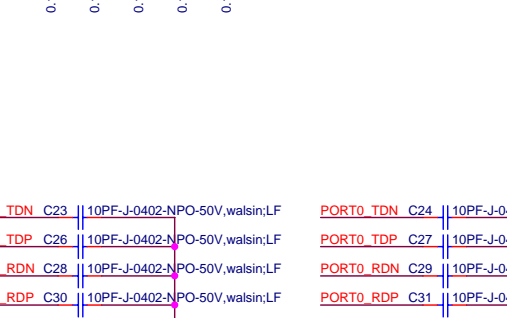
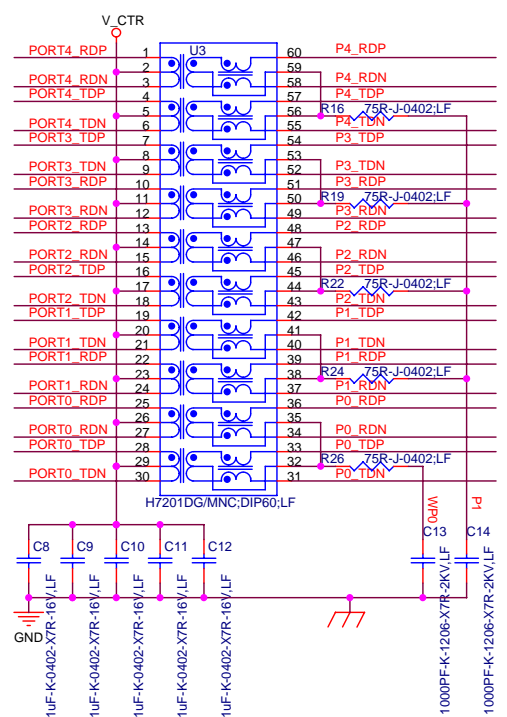


Title			
Size B	Document Number	<b>2_Connector&amp;LED</b>	Rev 0.11
Date:	Tuesday, October 12, 2010	Sheet 2 of 7	



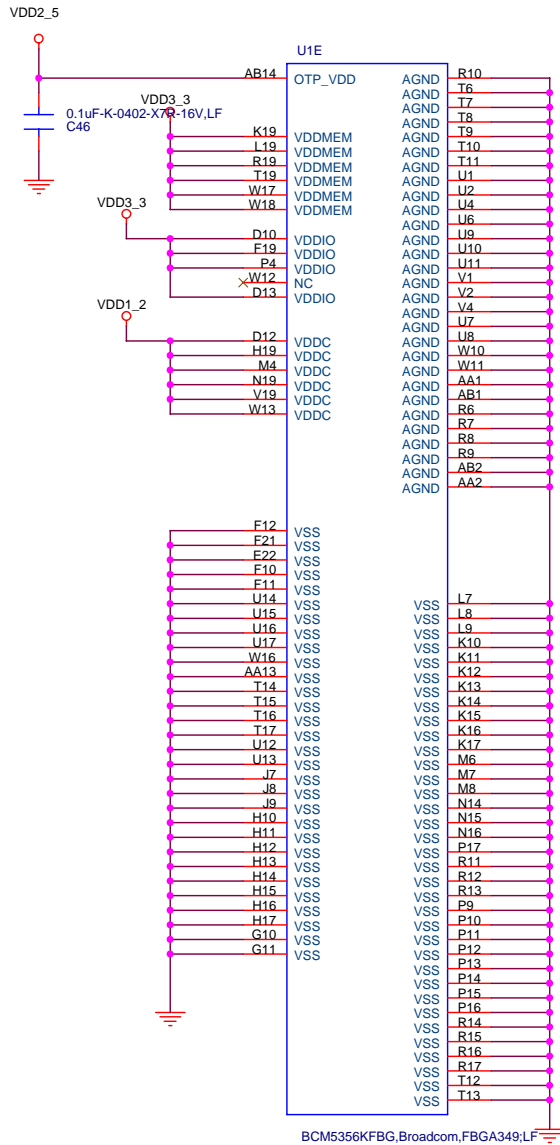
BCM5356KFBG, Broadcom, FBGA349;LF



8P4C全塑单层四联体; 58.43\*15.2\*13mm; SIDE: LF

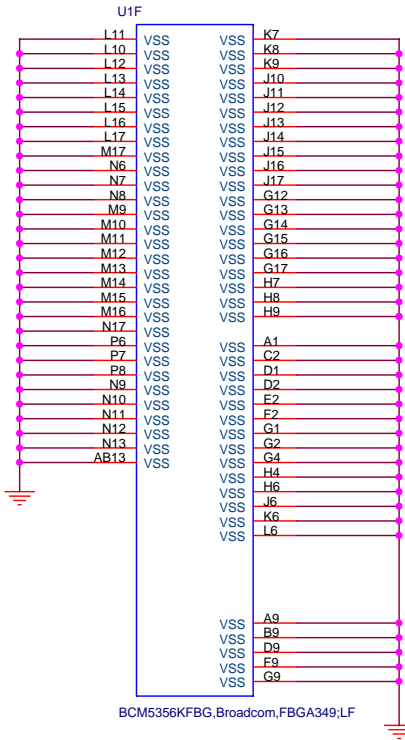
4C蓝色单体; 15.2\*15.2\*13mm; SIDE: LF

Title			
Size B	Document Number	<b>3_Magnetic</b>	Rev 0.11
Date:	Tuesday, October 12, 2010	Sheet 3	of 7



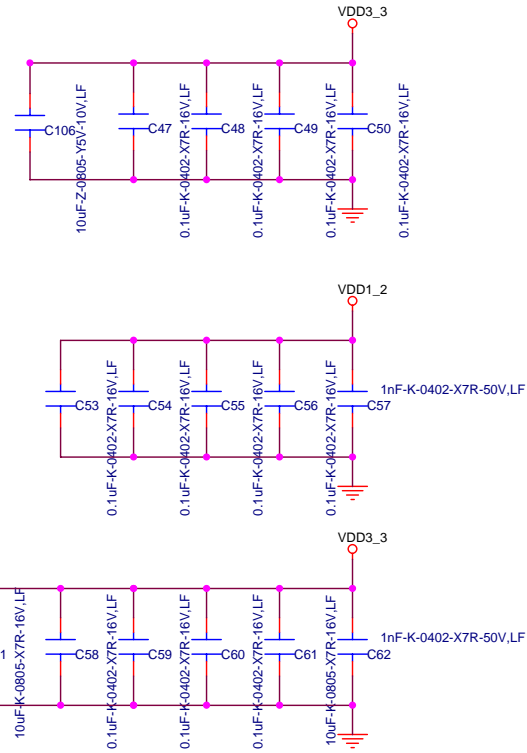
Pin	Signal	Pin	Signal
AB14	OTP_VDD	R10	AGND
K19	VDDMEM	T6	AGND
L19	VDDMEM	T7	AGND
R19	VDDMEM	T8	AGND
T19	VDDMEM	T9	AGND
W17	VDDMEM	T10	AGND
W18	VDDMEM	T11	AGND
D10	VDDIO	T12	AGND
F19	VDDIO	T13	AGND
P4	VDDIO	U1	AGND
W12	NC	U2	AGND
D13	VDDIO	U4	AGND
D12	VDDC	U6	AGND
H19	VDDC	U9	AGND
M4	VDDC	U10	AGND
M13	VDDC	U11	AGND
V19	VDDC	V1	AGND
W13	VDDC	V2	AGND
F12	VSS	V4	AGND
F21	VSS	U7	AGND
E22	VSS	U8	AGND
E10	VSS	W10	AGND
F11	VSS	W11	AGND
U14	VSS	W13	AGND
U15	VSS	AA1	AGND
U16	VSS	AB1	AGND
U17	VSS	R6	AGND
W16	VSS	R7	AGND
AA13	VSS	R8	AGND
T14	VSS	N9	AGND
T15	VSS	N10	AGND
T16	VSS	N11	AGND
T17	VSS	N12	AGND
U12	VSS	N13	AGND
U13	VSS	AA2	AGND
J7	VSS	L7	VSS
J8	VSS	L8	VSS
J9	VSS	L9	VSS
H10	VSS	K10	VSS
H11	VSS	K11	VSS
H12	VSS	K12	VSS
H13	VSS	K13	VSS
H14	VSS	K14	VSS
H15	VSS	K15	VSS
H16	VSS	K16	VSS
H17	VSS	K17	VSS
G10	VSS	M6	VSS
G11	VSS	M7	VSS
		M8	VSS
		N14	VSS
		N15	VSS
		N16	VSS
		P17	VSS
		R11	VSS
		R12	VSS
		R13	VSS
		P9	VSS
		P10	VSS
		P11	VSS
		P12	VSS
		P13	VSS
		P14	VSS
		P15	VSS
		P16	VSS
		R14	VSS
		R15	VSS
		R16	VSS
		R17	VSS
		T12	VSS
		T13	VSS

BCM5356KFBG, Broadcom, FBGA349;LF

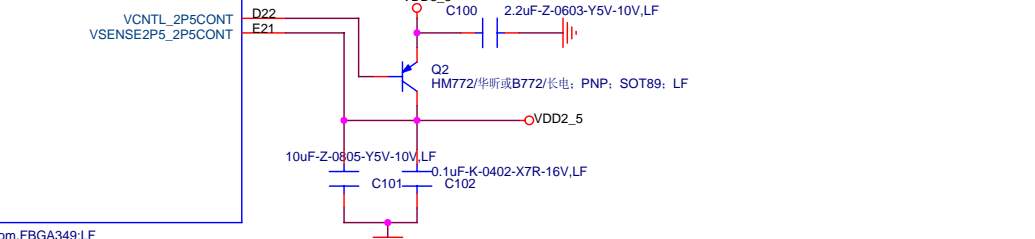
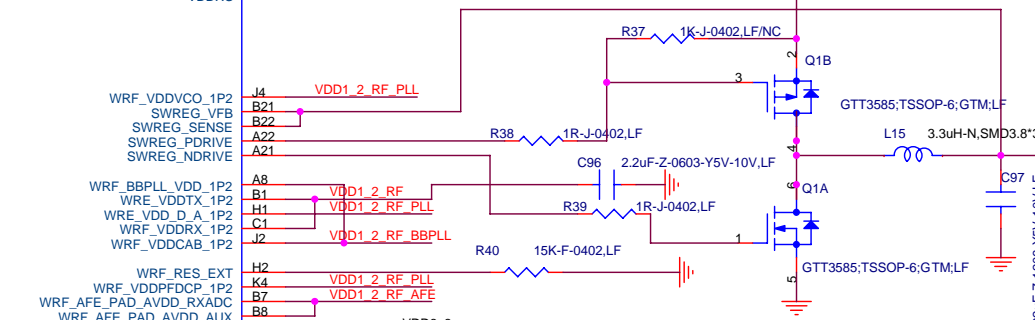
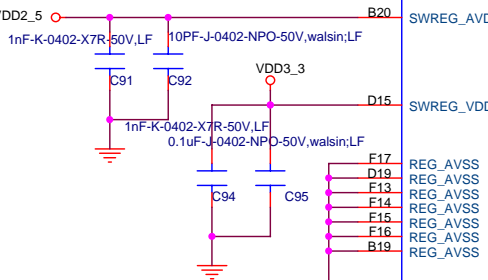
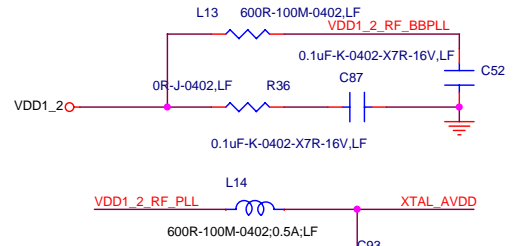
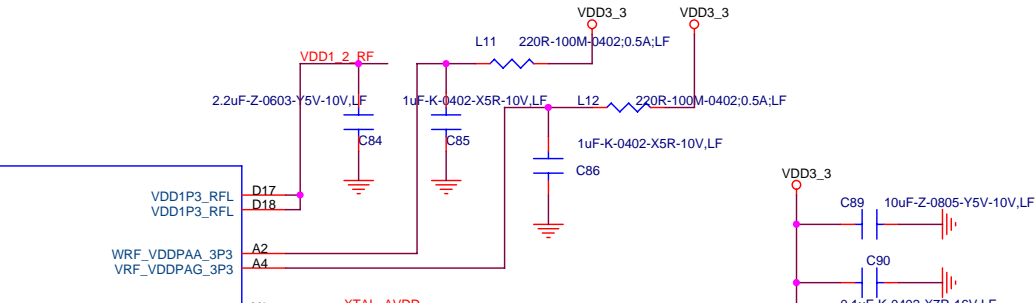
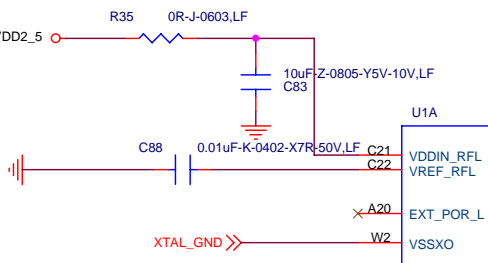
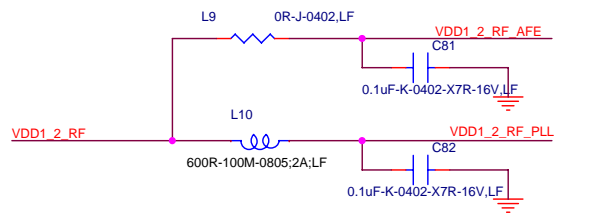
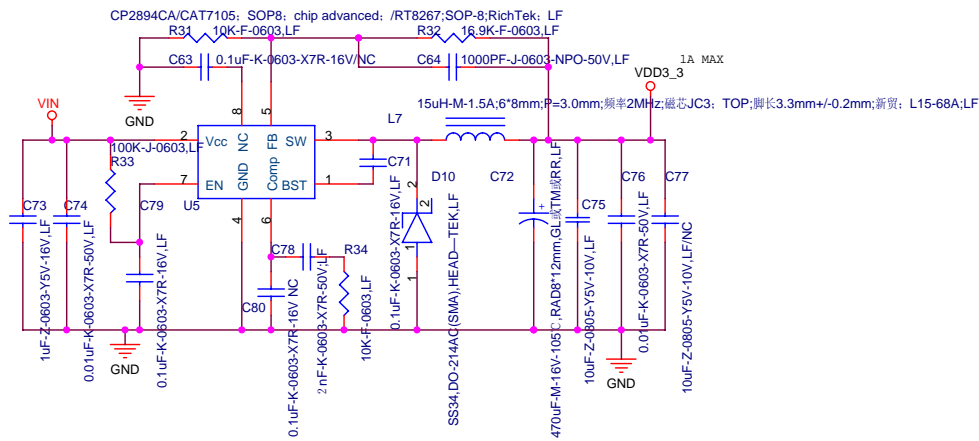
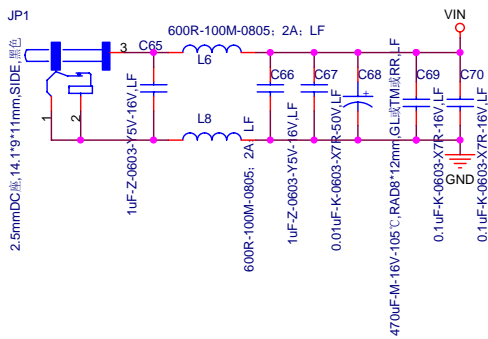


Pin	Signal	Pin	Signal
L11	VSS	K7	VSS
L10	VSS	K8	VSS
L12	VSS	K9	VSS
L13	VSS	J10	VSS
L14	VSS	J11	VSS
L15	VSS	J12	VSS
L16	VSS	J13	VSS
L17	VSS	J14	VSS
M12	VSS	J15	VSS
M13	VSS	J16	VSS
M14	VSS	J17	VSS
M15	VSS	G12	VSS
M16	VSS	G13	VSS
M17	VSS	G14	VSS
N6	VSS	G15	VSS
N7	VSS	G16	VSS
N8	VSS	G17	VSS
N9	VSS	H7	VSS
N10	VSS	H8	VSS
N11	VSS	H9	VSS
N12	VSS	A1	VSS
N13	VSS	A2	VSS
AB13	VSS	D1	VSS
		D2	VSS
		E2	VSS
		E2	VSS
		F2	VSS
		G1	VSS
		G2	VSS
		G4	VSS
		H4	VSS
		H6	VSS
		J6	VSS
		K6	VSS
		L6	VSS
		A9	VSS
		B9	VSS
		D9	VSS
		F9	VSS
		G9	VSS

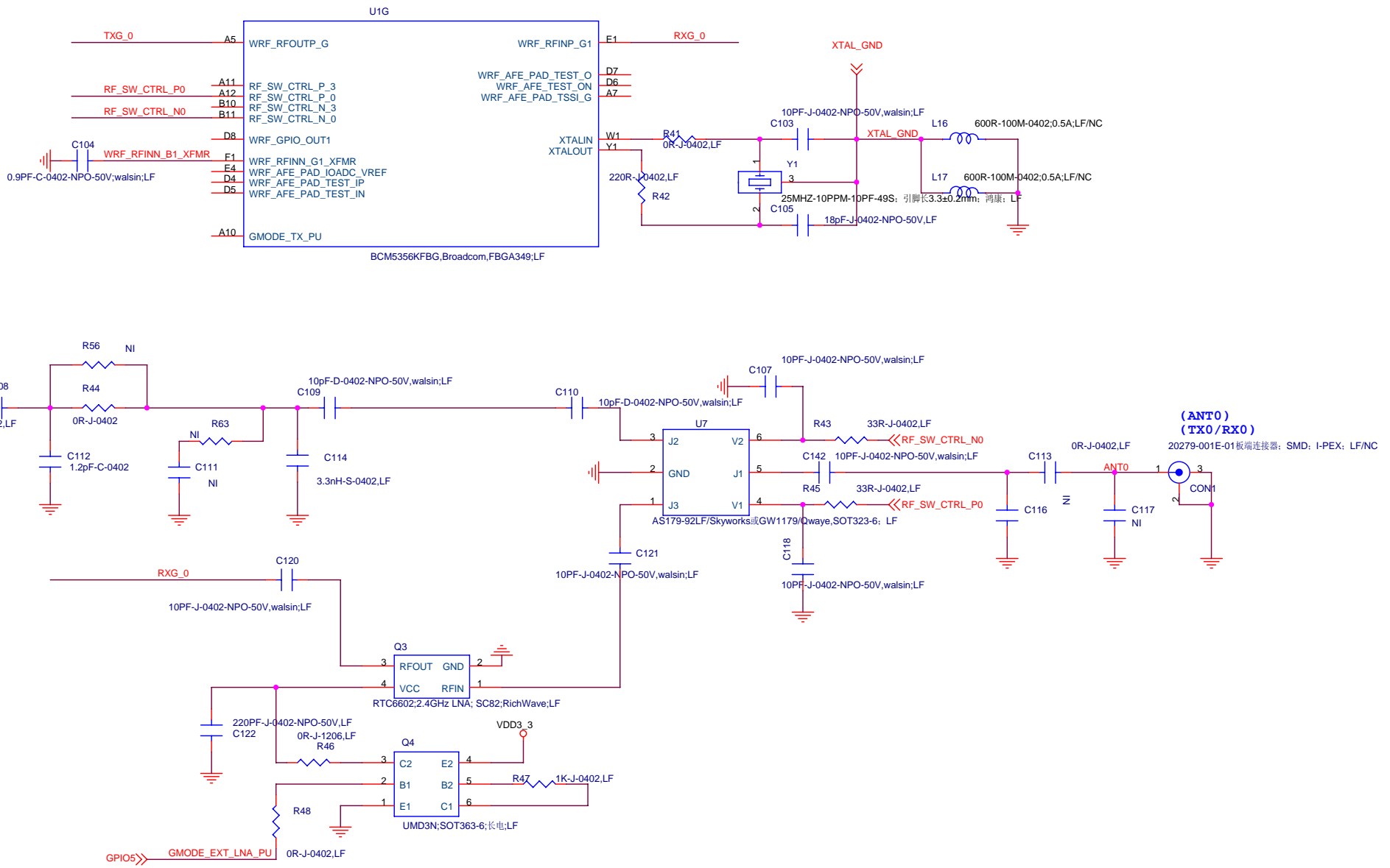
BCM5356KFBG, Broadcom, FBGA349;LF



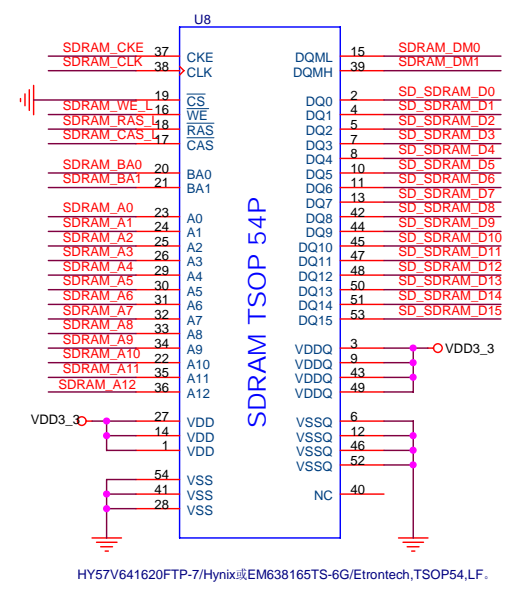
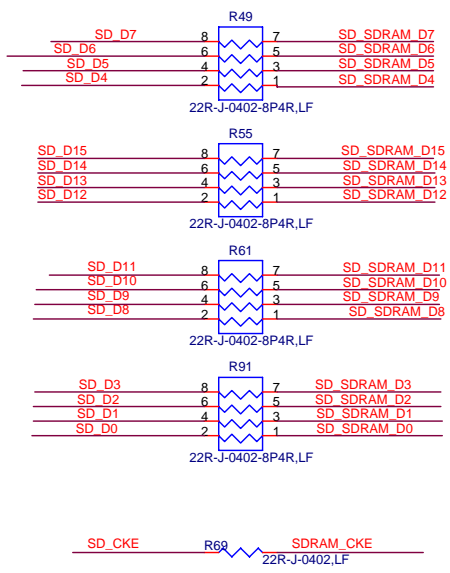
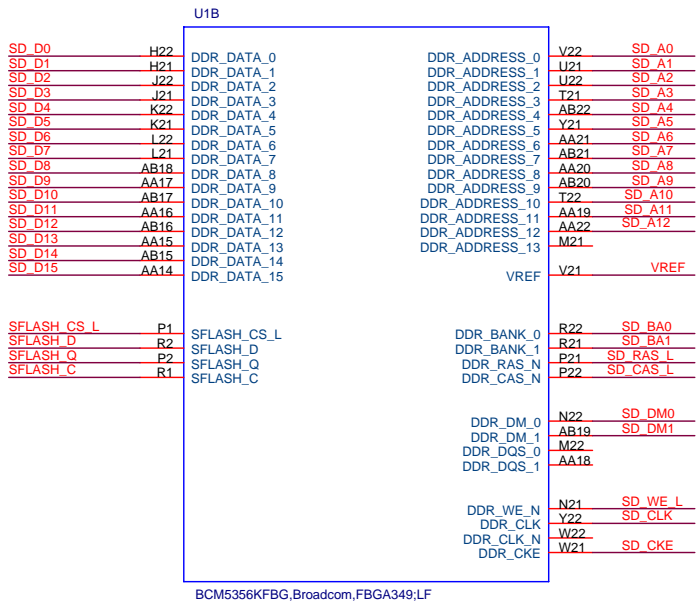
Title		
Size	Document Number	Rev
B	<b>4_Power&amp;Ground</b>	0.11
Date:	Tuesday, October 12, 2010	Sheet 4 of 7



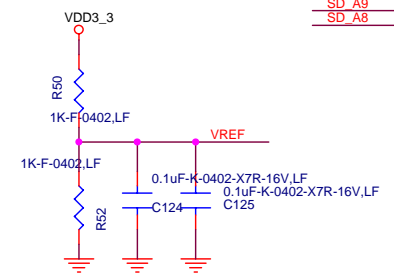
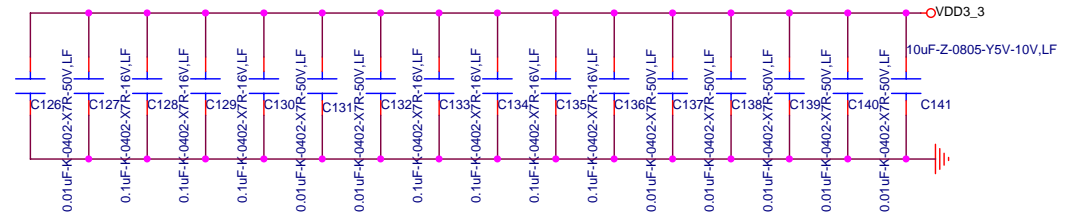
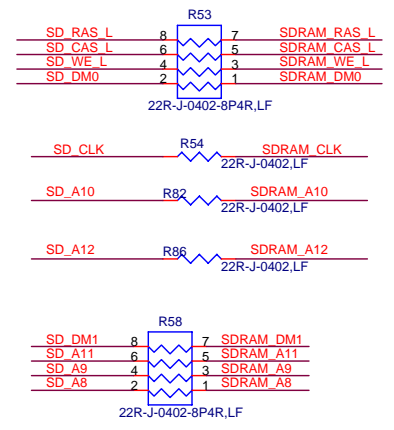
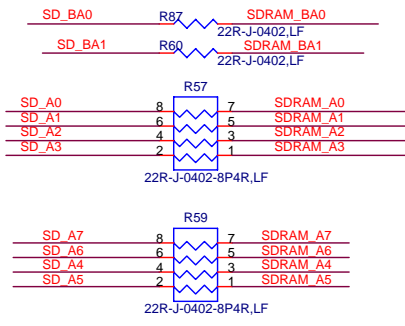
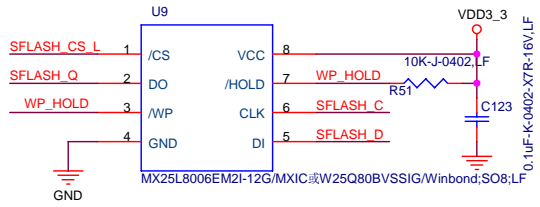
Title			
Size	Document Number	<b>5_Power Module</b>	
B			
Date:	Tuesday, October 12, 2010	Sheet	5 of 7
			Rev 0.11



Title			
Size	Document Number	<b>6_RF section</b>	Rev
B			0.11
Date:	Tuesday, October 12, 2010	Sheet	6 of 7



**8MB SDRAM/16bit位宽**



Title		
Size	Document Number	7_SDR&Serial Flash
Rev		0.11
Date:	Tuesday, October 12, 2010	Sheet 7 of 7