

Laser Effect sketch on charging case backside

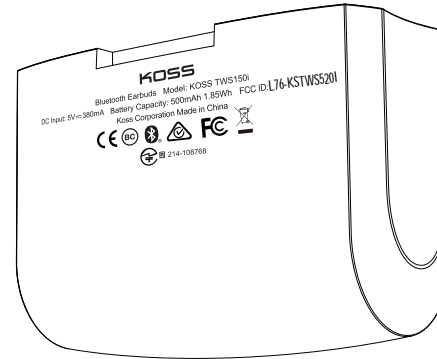
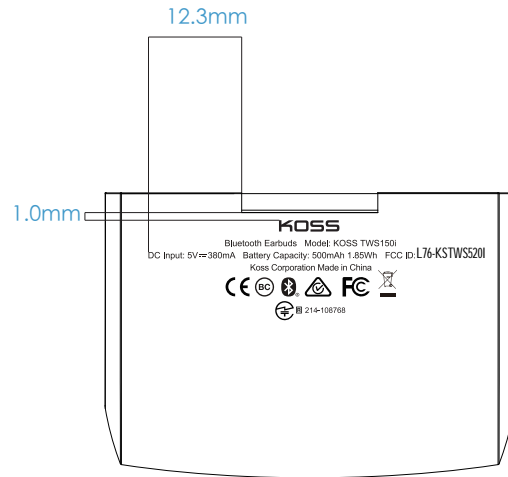
品名 : A801-55-Laser

发行日期 : 2020/08/05

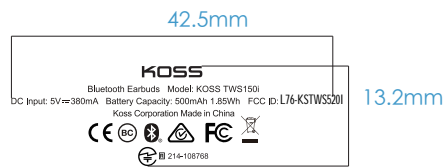
料号 :

Edition : V2.0

History:



Laser Effect sketch



Laser content



Laser content magnification

Requirements: the contents of radium carving are clear,
The tolerance of shape dimension and position
dimension is $\pm 0.1\text{mm}$

cannice