

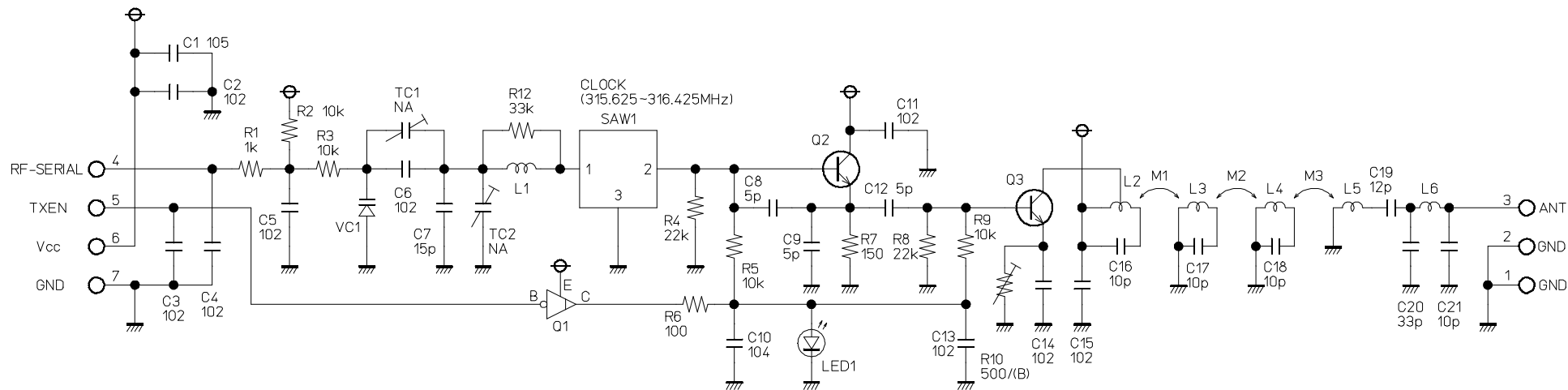
FCC ID:L73RM-Y822A

TRANSMITTER
REMOCON

fig 2

Logic section Circuit diagram

SHEET No.
1 / 1



HIGHEST Ref No. of DESIGNATION:

C:21 D:NONE
 R:12 LED:1
 Q:3 TC:2
 VC:1 L 6

Ref No. NOT USED.
 R11

Q1:RT-1P434M (Mitsubishi)
 Q2 2SC4835 (Panasonic)
 Q3:2SC4226R25 (NEC) or 2SC4835 (Panasonic)
 VC1:MA304 (Panasonic)
 LED1:LN1271-(TR) (Panasonic)
 L1:ELJNC 47N (Panasonic)
 SAW1:EF0H316MP16A (Panasonic)
 TC1:NA
 TC2:NA

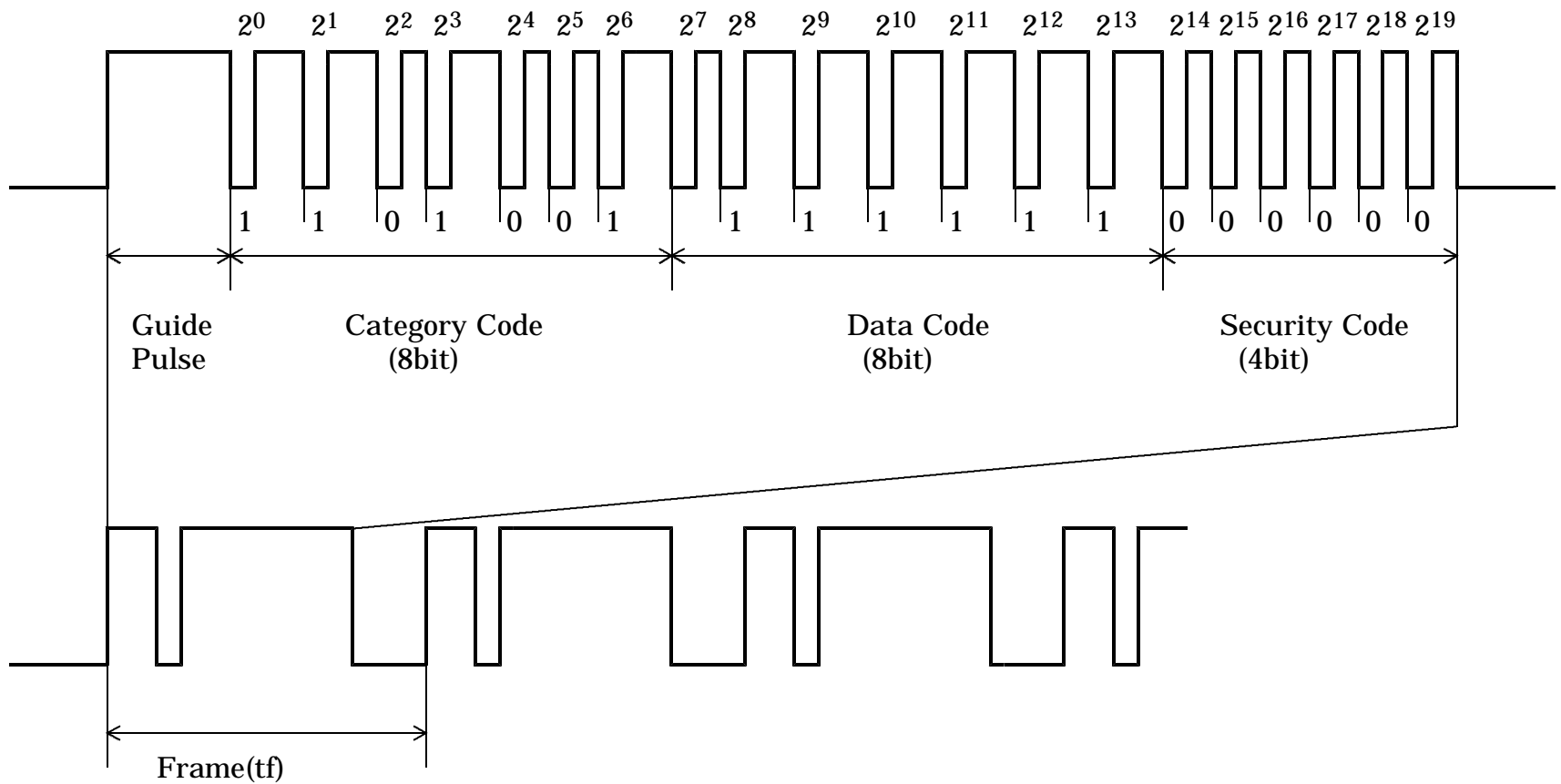
FCC ID:L73RM-Y822A

TRANSMITTER
 REMOCON

fig 3

RF section Circuit diagram

SHEET No.
 1 / 1



FCC ID:L73RM-Y822A

TRANSMITTER REMOCON	fig 4	Serial Code Format	SHEET No. 1 / 1
------------------------	-------	--------------------	--------------------