

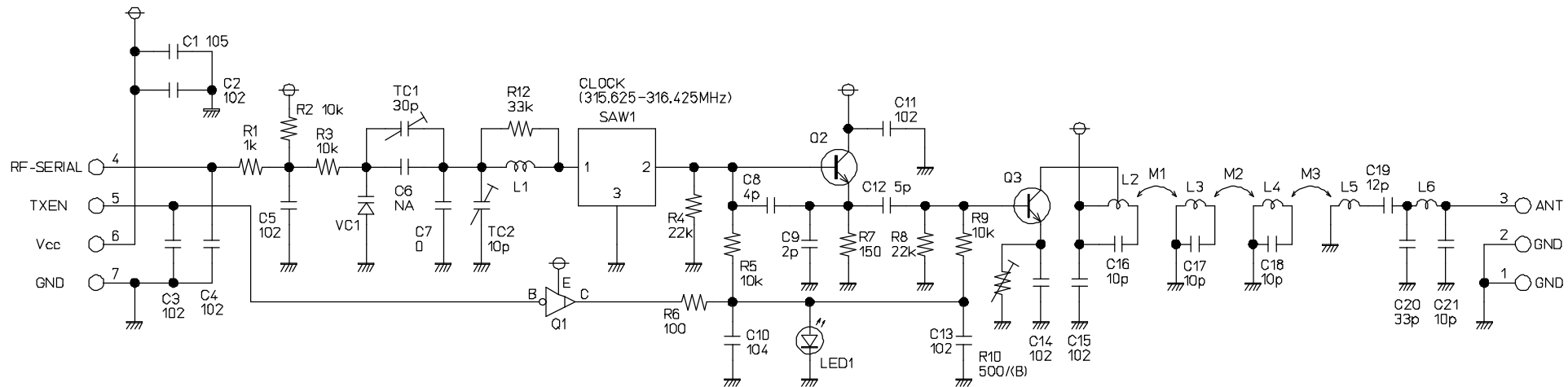
FCC ID:L73RM-Y822

TRANSMITTER  
REMOCON

fig 2

Logic section Circuit diagram

SHEET No.  
1 / 1



HIGHEST Ref No. of DESIGNATION

C 21 D NONE  
 R 10 LED 1  
 Q:3 TC:2  
 VC 1 L 6

Ref No NOT USED:  
 R11

Q1:RT-1P434M (Mitsubishi)  
 Q2:2SC4835 (Panasonic)  
 Q3:2SC4226R25 (NEC) or 2SC4835 (Panasonic)  
 VC1:MA304 (Panasonic)  
 LED1:LN1271-(TR) (Panasonic)  
 L1:ELJNC 68N (Panasonic)  
 SAW1:EFOH316MS16 (Panasonic)  
 TC1:ECRKN030G61 (Panasonic)  
 TC2:ECRKN010A61 (Panasonic)

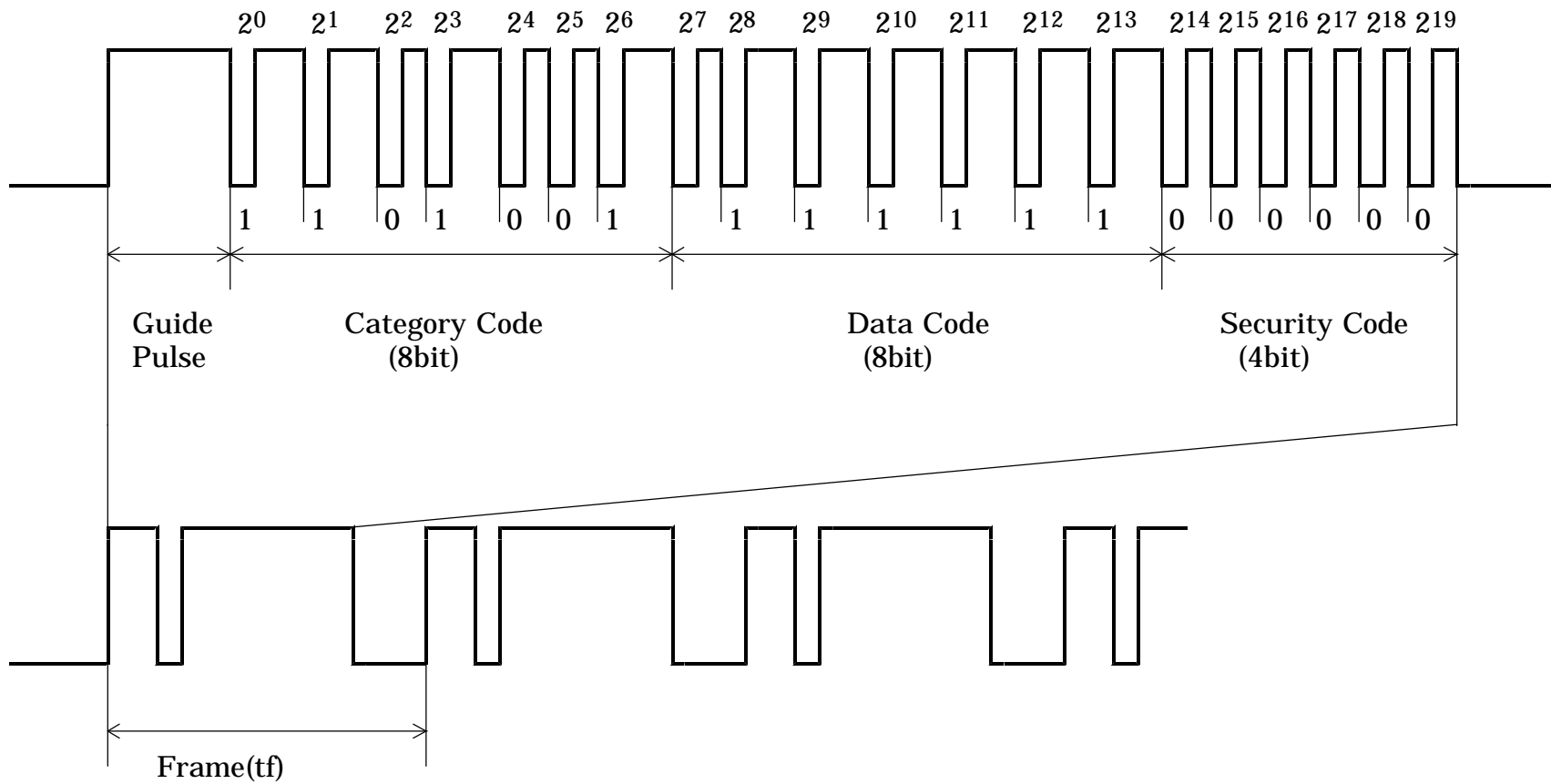
FCC ID:L73RM-Y822

TRANSMITTER  
 REMOCON

fig 3

RF section Circuit diagram

SHEET No.  
 1 / 1



FCC ID:L73RM-Y822

TRANSMITTER REMOCON	fig 4	Serial Code Format	SHEET No. 1 / 1
------------------------	-------	--------------------	--------------------