

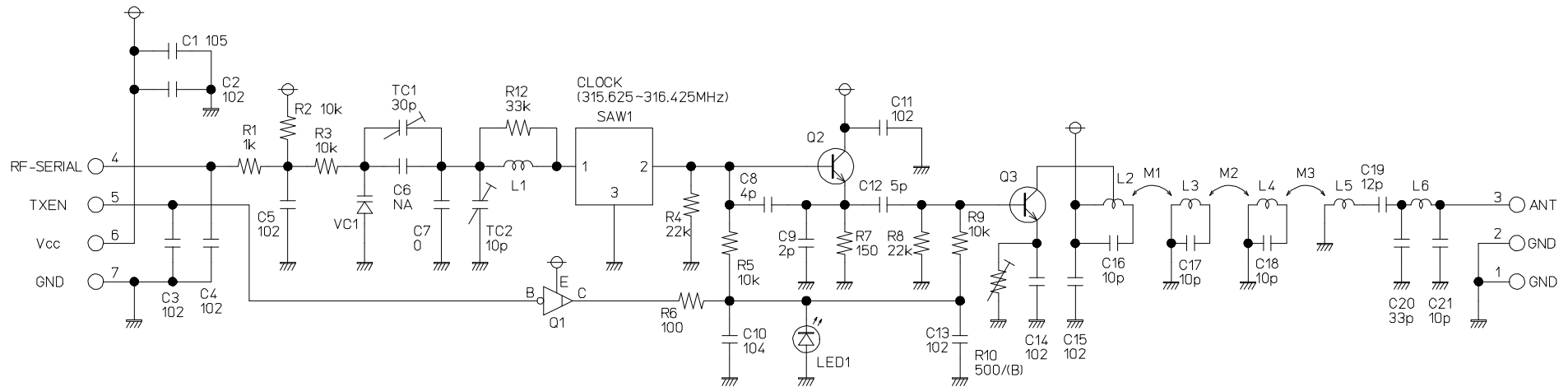
FCC ID:L73RM-Y807

TRANSMITTER
REMOCON

fig 2

Logic section Circuit diagram

SHEET No.
1 / 1



HIGHEST Ref No of DESIGNATION:

C:21 D:NONE
 R:10 LED:1
 Q:3 TC:2
 VC:1 L:6

Ref No. NOT USED:
 R11

Q1:RT-1P434M (Mitsubishi)
 Q2 2SC4835 (Panasonic)
 Q3:2SC4226R25 (NEC) or 2SC4835 (Panasonic)
 VC1:MA304 (Panasonic)
 LED1:LN1271-(TR) (Panasonic)
 L1:ELJNC 68N (Panasonic)
 SAW1:EF0H316MS16 (Panasonic)
 TC1:ECRKN030G61 (Panasonic)
 TC2:ECRKN010A61 (Panasonic)

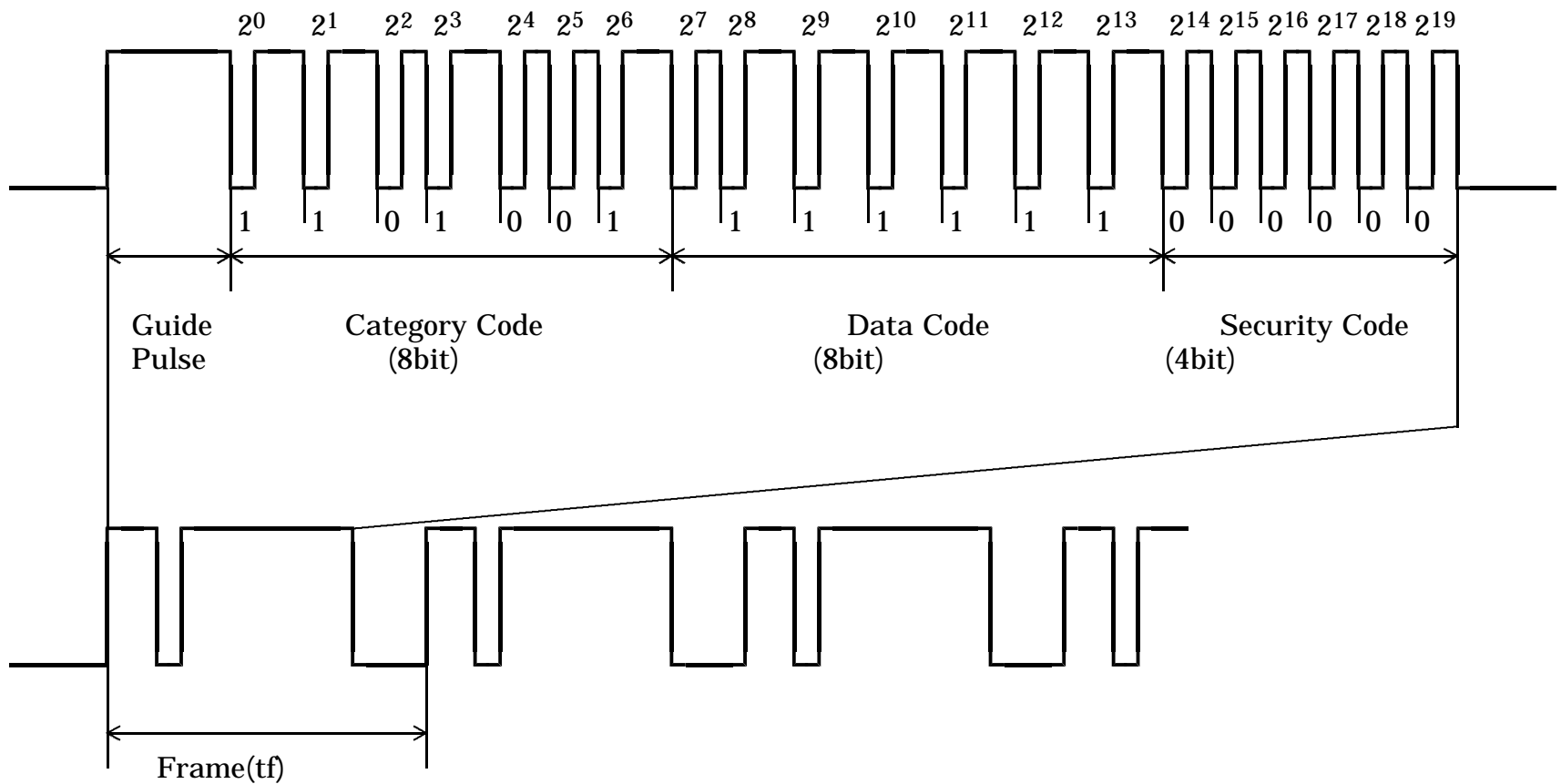
FCC ID:L73RM-Y807

TRANSMITTER
 REMOCON

fig 3

RF section Circuit diagram

SHEET No.
 1 / 1



FCC ID:L73RM-Y807

TRANSMITTER REMOCON	fig 4	Serial Code Format	SHEET No. 1 / 1
------------------------	-------	--------------------	--------------------