

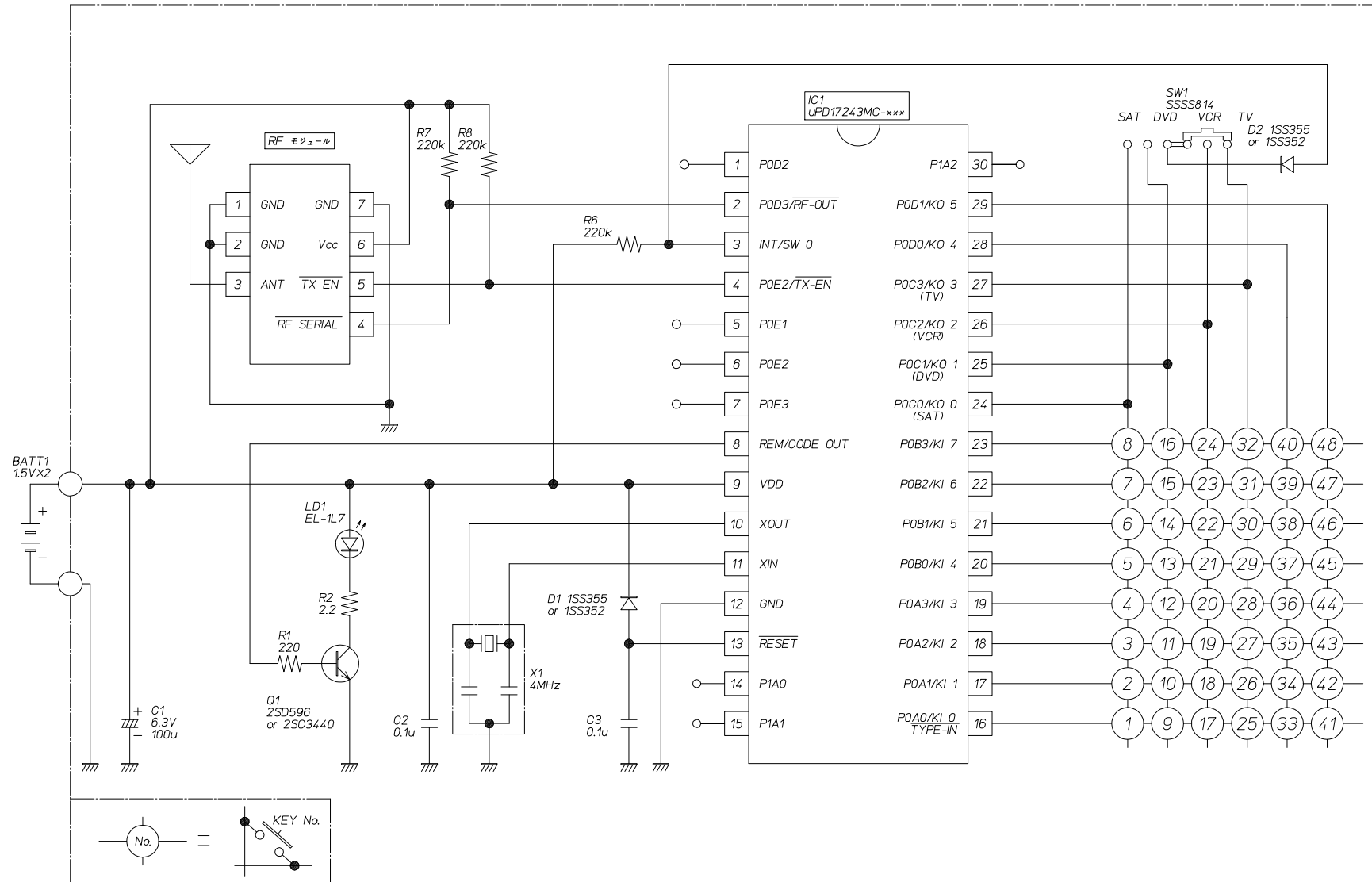
FCC ID:L73RM-Y807

TRANSMITTER  
REMOCON

fig 1

Block diagram

SHEET No.  
1 / 1



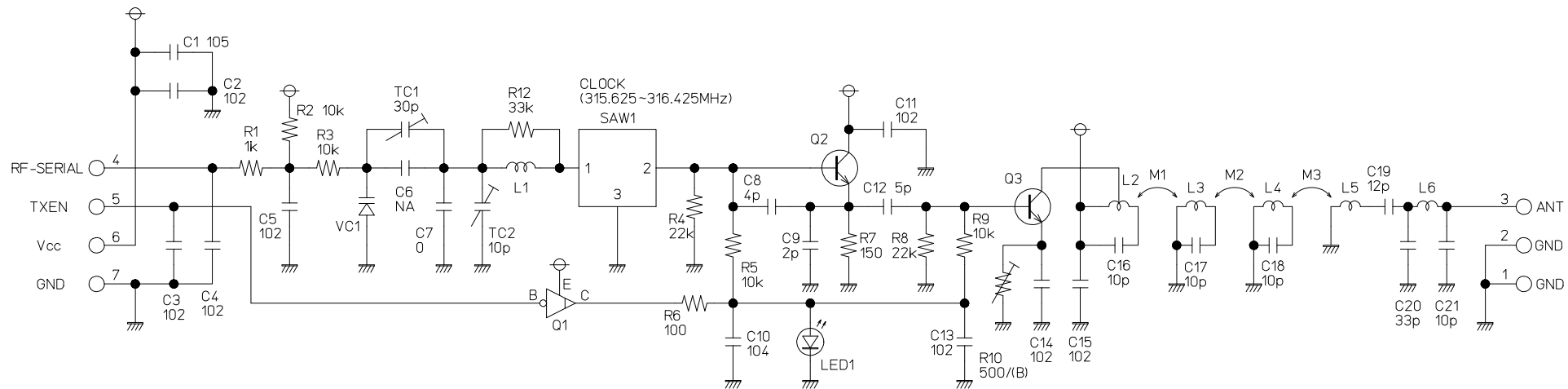
FCC ID:L73RM-Y807

TRANSMITTER  
REMOCON

fig 2

Logic section Circuit diagram

SHEET No.  
1 / 1



HIGHEST Ref No. of DESIGNATION:

C:21 D:NONE  
 R:10 LED:1  
 Q:3 TC:2  
 VC:1 L:6

Ref No. NOT USED:  
 R11

Q1:RT-1P434M (Mitsubishi)  
 Q2:2SC4835 (Panasonic)  
 Q3:2SC4226R25 (NEC) or 2SC4835 (Panasonic)  
 VC1:MA304 (Panasonic)  
 LED1:LN1271-(TR) (Panasonic)  
 L1:ELJNC 68N (Panasonic)  
 SAW1:EFOH316MS16 (Panasonic)  
 TC1:ECRKN030G61 (Panasonic)  
 TC2:ECRKN010A61 (Panasonic)

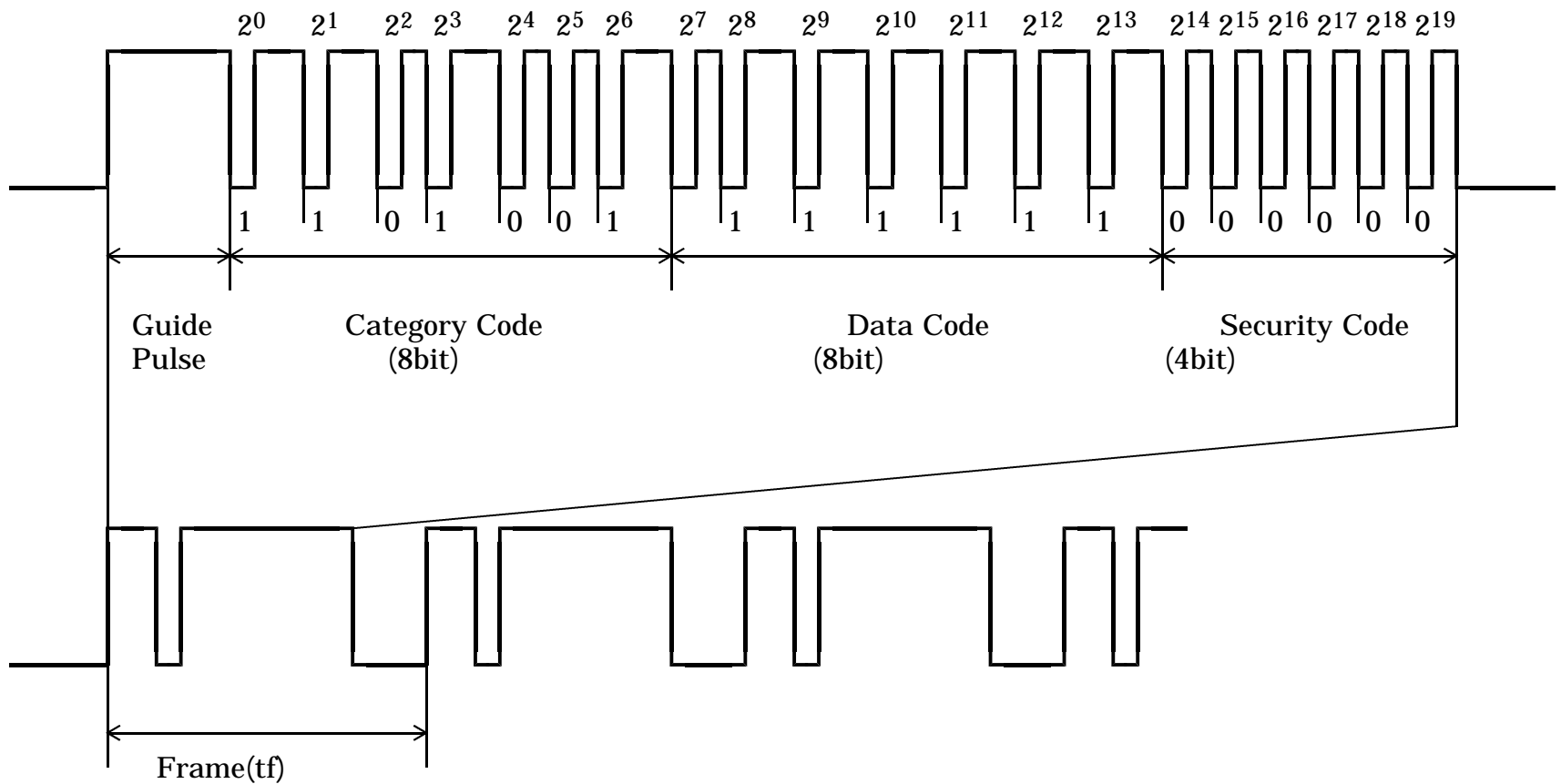
FCC ID:L73RM-Y807

TRANSMITTER  
 REMOCON

fig 3

RF section Circuit diagram

SHEET No.  
 1 / 1



(1)Guide Pulse → (2)Category Code → (3)Data Code → (4)Security Code  
 Bit are transmitted following the Guide Pulse.(2<sup>0</sup>~2<sup>19</sup>)

FCC ID:L73RM-Y807

TRANSMITTER REMOCON	fig 4	Serial Code Format	SHEET No. 1 / 1
------------------------	-------	--------------------	--------------------