

Company Name: Sanwa Electronic Instrument Co Ltd
Address:1-2-50, Honmachi, Yoshida, Higashi-Osaka,Osaka 578,Japan
Tel:+81 729 61 3131
Fax:+81 729 64 2831

Date:2019-11-03

FEDERAL COMMUNICATIONS COMMISSIONS
Authorization and Evaluation Division
7435 Oakland Mills Road
Columbia, MD 21046

Subject: Description of Permissive Change

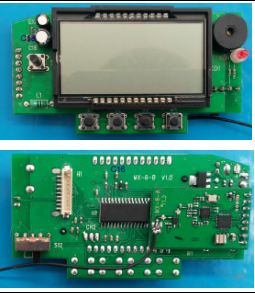
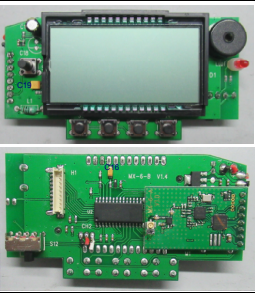
Dear Sir/Madam,

We, Sanwa Electronic Instrument Co Ltd hereby authorize Bay Area Compliance laboratory Corp to act as a laboratory for testing and test report generation for the following project(s):

FCC ID: L73MX-6

Model Name: MX-6

Original Grant Date: 12/12/2019

Original	CIIPC
	
<p>Detailed information:</p> <ol style="list-style-type: none">1. Cancel the C18 electrolytic capacitor and modify it to add C19 47uF tantalum capacitor (yellow shell) and R10 220 ohm resistance2. C16 105 ceramic capacitor changed to 105 tantalum capacitor (yellow shell)	

We affirm that between BACL and Sanwa Electronic Instrument Co Ltd any difference in understanding, including test plan, measurement methods, applicable standards and relevant procedures and processes have been resolved prior to commencement of testing activities

This authorization is valid until further written notice from the applicant.

Sincerely Yours,

Signature: 

Contact Person : Kazuya Takei

Title : Manager