

# FCC SAR Test Report

**APPLICANT** : Research In Motion Limited  
**EQUIPMENT NAME** : LTE band 4 & 17 / HSPA+ FDD 1, 2 & 5 Tablet PC  
**BRAND NAME** : RIM  
**MODEL NAME** : REG51LW  
**FCC ID** : L6AREG50LW  
**STANDARD** : FCC 47 CFR Part 2 (2.1093)  
ANSI/IEEE C95.1-1992  
IEEE 1528-2003  
FCC OET Bulletin 65 Supplement C (Edition 01-01)

The product was received on Oct. 28, 2011 and completely tested on Jan. 10, 2012. We, SPORTON INTERNATIONAL INC., would like to declare that the tested sample has been evaluated in accordance with the procedures and shown the compliance with the applicable technical standards.

The test results in this report apply exclusively to the tested model / sample. Without written approval of SPORTON INTERNATIONAL INC., the test report shall not be reproduced except in full.

Reviewed by:



Jones Tsai / Manager



**SPORTON INTERNATIONAL INC.**

No. 52, Hwa Ya 1<sup>st</sup> Rd., Hwa Ya Technology Park, Kwei-Shan Hsiang, Tao Yuan Hsien, Taiwan, R.O.C.



Table of Contents

1. Statement of Compliance ..... 4
2. Administration Data ..... 5
2.1 Testing Laboratory..... 5
2.2 Applicant ..... 5
2.3 Manufacturer..... 5
2.4 Application Details..... 5
3. General Information ..... 6
3.1 Description of Device Under Test (DUT) ..... 6
3.2 Product Photos..... 8
3.3 Applied Standard..... 8
3.4 Device Category and SAR Limits ..... 8
3.5 Test Conditions..... 8
4. Specific Absorption Rate (SAR).....11
4.1 Introduction ..... 11
4.2 SAR Definition..... 11
5. SAR Measurement System.....12
5.1 E-Field Probe ..... 13
5.2 Data Acquisition Electronics (DAE) ..... 14
5.3 Robot ..... 14
5.4 Measurement Server..... 15
5.5 Phantom..... 15
5.6 Device Holder..... 16
5.7 Data Storage and Evaluation ..... 18
5.8 Test Equipment List ..... 20
6. Tissue Simulating Liquids..... 21
7. Uncertainty Assessment ..... 24
8. SAR Measurement Evaluation ..... 27
8.1 Purpose of System Performance check ..... 27
8.2 System Setup..... 27
8.3 Validation Results..... 29
9. DUT Testing Position ..... 29
10. Measurement Procedures ..... 30
10.1 Spatial Peak SAR Evaluation ..... 30
10.2 Area & Zoom Scan Procedures..... 31
10.3 Volume Scan Procedures..... 31
10.4 SAR Averaged Methods ..... 31
10.5 Power Drift Monitoring..... 31
11. SAR Test Configurations ..... 32
11.1 Conducted Power (Unit: dBm)..... 32
11.2 Exposure Positions Consideration..... 46
12. SAR Test Results ..... 48
12.1 Test Records for Body Stand-alone SAR ..... 48
12.2 Simultaneous Transmission SAR Analysis..... 52
12.3 Simultaneous analysis - SPLSR calculation..... 57
13. References..... 65
Appendix A. Plots of System Performance Check
Appendix B. Plots of SAR Measurement
Appendix C. DASYS Calibration Certificate
Appendix D. Product Photos
Appendix E. Test Setup Photos
Appendix F. LTE Spectrum Plots For Different RB Allocations



### Revision History

REPORT NO.	VERSION	DESCRIPTION	ISSUED DATE
FA1D0774	Rev. 01	Initial issue of report	Apr. 27, 2012
FA1D0774	Rev. 02	<ol style="list-style-type: none"><li>1. Add scaling SAR evaluation for simultaneous transmission.</li><li>2. Update channel power in WiFi SAR results table for WiFi 5.3G and 5.5G band in page 51.</li><li>3. Update power reduction target in page 9 and page 33.</li><li>4. Update supported WiFi 5.3G &amp; 5.5G band frequency range in page 7.</li></ol>	May. 10, 2012



### 1. Statement of Compliance

The maximum results of Specific Absorption Rate (SAR) found during testing for Research In Motion Limited, LTE band 4 & 17 / HSPA+ FDD 1, 2 & 5 Tablet PC, RIM REG51LW are as follows.

#### Highest 1-g SAR Summary

Technology	Test configuration	SAR <sub>1g</sub> (W/kg)
UMTS Band V With Power back-off	Body (Bottom-Face_0mm Gap)	1.3
UMTS Band II With Power back-off	Body (Bottom-Face_0mm Gap)	1.15
LTE Band 17 With Power back-off	Body (Bottom-Face_0mm Gap)	1.43
LTE Band 4 With Power back-off	Body (Bottom-Face_0mm Gap)	1.41
WiFi 2.4G	Body (Bottom-Face_0mm Gap)	1.12
WiFi 5G	Body (Primary-Portrait_0mm Gap)	1.4

#### Verification of SAR compliance

Band	Position	SAR <sub>1g</sub> (W/kg)
UMTS Band V	Body (Bottom-Face_10mm Gap)	0.744
UMTS Band II	Body (Secondary-Landscape_7.5mm Gap)	0.807
LTE Band 17	Body (Bottom-Face_10mm Gap)	0.727
LTE Band 4	Body (Bottom-Face_10mm Gap)	1.21

**Note:** The test records with distance 10mm and 7.5mm to the phantom are provided for verifying the SAR compliance when user is away from DUT and proximity sensor deactivated. 10mm and 7.5mm test results are for confirming operation of the power reduction scheme, and are not applicable for compliance demonstration for the FCC tablet PC SAR test procedures.

This device is in compliance with Specific Absorption Rate (SAR) for general population/uncontrolled exposure limits (1.6 W/kg) specified in FCC 47 CFR part 2 (2.1093) and ANSI/IEEE C95.1-1992, and had been tested in accordance with the measurement methods and procedures specified in IEEE 1528-2003 and FCC OET Bulletin 65 Supplement C (Edition 01-01).



## 2. Administration Data

### 2.1 Testing Laboratory

Test Site	SPORTON INTERNATIONAL INC.
Test Site Location	No. 52, Hwa Ya 1 <sup>st</sup> Rd., Hwa Ya Technology Park, Kwei-Shan Hsiang, Tao Yuan Hsien, Taiwan, R.O.C. TEL: +886-3-327-3456 FAX: +886-3-328-4978

### 2.2 Applicant

Company Name	Research In MOTION LIMITED
Address	295 Phillip Street, Waterloo, Ontario, Canada

### 2.3 Manufacturer

Company Name	Quanta Computer Inc.
Address	No. 188, Wen Hwa 2nd Road, Kuei Shan Hsiang Tao Yuan Shien, 333 Taiwan

### 2.4 Application Details

Date of Receipt of Application	Oct. 28, 2011
Date of Start during the Test	Oct. 29, 2011
Date of End during the Test	Jan. 10, 2012

### 3. General Information

#### 3.1 Description of Device Under Test (DUT)

Product Feature & Specification	
Equipment Name	LTE band 4 & 17 / HSPA+ FDD 1, 2 & 5 Tablet PC
Brand Name	RIM
Model Name	REG51LW
Marketing Name	P150-32***; P150-64*** The stars "***" in model name can be 0 to 9, A to Z or blank, for marking purpose.
FCC ID	L6AREG50LW
Tx Frequency	UMTS Band V: 826.4 MHz ~ 846.6 MHz UMTS Band II: 1852.4 MHz ~ 1907.6 MHz LTE Band 17: 706.5 MHz ~ 713.5 MHz LTE Band 4: 1710.7 MHz ~ 1754.3 MHz 802.11b/g/n : 2412 MHz ~ 2462 MHz 802.11a/n: 5180 MHz ~ 5240 MHz; 5260 MHz ~ 5320 MHz; 5500 MHz ~ 5700MHz; 5745 MHz ~ 5825 MHz Bluetooth: 2402 MHz ~ 2480 MHz NFC : 13.56 MHz
Rx Frequency	UMTS Band V: 871.4 MHz ~ 891.6 MHz UMTS Band II: 1932.4 MHz ~ 1987.6 MHz LTE Band 17: 736.5 MHz ~ 743.5 MHz LTE Band 4: 2110.7 MHz ~ 2154.3 MHz 802.11b/g/n: 2412 MHz ~ 2462 MHz 802.11a/n: 5180 MHz ~ 5240 MHz; 5260 MHz ~ 5320 MHz; 5500 MHz ~ 5700MHz; 5745 MHz ~ 5825 MHz Bluetooth: 2402 MHz ~ 2480 MHz NFC : 13.56 MHz
Maximum Average Output Power to Antenna	UMTS Band V: 24.08 dBm UMTS Band II: 22.87 dBm LTE Band 17: 23.31 dBm LTE Band 4: 24.14 dBm 802.11b: 17.49 dBm 802.11g: 15.53 dBm 802.11n (2.4GHz): 13.94 dBm (BW 20MHz) 802.11a: 14.11 dBm 802.11n (5GHz): 13.91 dBm (BW 20MHz) Bluetooth: 8.70 dBm
Antenna Type	Fixed Internal Antenna
Type of Modulation	WCDMA: QPSK (uplink) HSDPA: QPSK (uplink) HSUPA: QPSK (uplink) LTE: QPSK / 16QAM (uplink) 802.11b: DSSS (BPSK / QPSK / CCK) 802.11a/g/n : OFDM (BPSK / QPSK / 16QAM / 64QAM) Bluetooth (1Mbps) : GFSK Bluetooth EDR (2Mbps) : $\pi/4$ -DQPSK Bluetooth EDR (3Mbps) : 8-DPSK NFC : ASK
DUT Stage	Identical Prototype
Remark:	<ol style="list-style-type: none"> <li>The above DUT's information was declared by manufacturer. Please refer to the specifications or user's manual for more detailed description.</li> <li>Voice call is not supported.</li> <li>This device support UMTS band 1 that is not operational in U.S, therefore no data for this band is presented in this report.</li> </ol>



The table below summarized necessary items addressed in KDB 941225 D05 v01.

FCC ID		L6AREG50LW											
DUT Type		LTE band 4 & 17 / HSPA+ FDD 1, 2 & 5 Tablet PC											
Operating Frequency Range of each LTE transmission band		Band 17: TX: 706.5 MHz ~ 713.5 MHz, RX: 736.5 MHz ~ 743.5 MHz Band 4: TX: 1710.7 MHz ~ 1754.3 MHz, RX: 2110.7 MHz ~ 2154.3 MHz											
Channel Bandwidth		Band 17: 5MHz, 10MHz Band 4: 1.4MHz, 3MHz, 5MHz, 10MHz, 15MHz, 20MHz											
Transmission (H, M, L) channel numbers and frequencies in each LTE band													
Band 4													
	Bandwidth 1.4 MHz		Bandwidth 3 MHz		Bandwidth 5 MHz		Bandwidth 10 MHz		Bandwidth 15 MHz		Bandwidth 20 MHz		
	Ch. #	Freq. (MHz)	Ch. #	Freq. (MHz)	Ch. #	Freq. (MHz)	Ch. #	Freq. (MHz)	Ch. #	Freq. (MHz)	Ch. #	Freq. (MHz)	
L	19957	1710.7	19965	1711.5	19975	1712.5	20000	1715	20025	1717.5	20050	1720	
M	20175	1732.5	20175	1732.5	20175	1732.5	20175	1732.5	20175	1732.5	20175	1732.5	
H	20393	1754.3	20385	1753.5	20375	1752.5	20350	1750	20325	1747.5	20300	1745	
Band 17													
	Bandwidth 5 MHz						Bandwidth 10 MHz						
	Channel #			Frequency (MHz)			Channel #			Frequency (MHz)			
L	23755			706.5			23780			709			
M	23790			710			23790			710			
H	23825			713.5			23800			711			
UE category, uplink modulations used		Category 3, QPSK, and 16QAM											
LTE transmitter and antenna implementation (standalone or sharing hardware components / antennas )		Main Antenna: LTE share the antenna with UMTS.											
LTE Voice / Data requirements		Data only											
LTE MPR permanently built-in by design		Yes											
LTE A-MPR		Disabled during SAR testing. With CMW500, set NS value to NS_01 to disable A-MPR.											
LTE maximum averaged conducted output power		LTE Band 17: 23.31 dBm LTE Band 4: 24.14 dBm											
Other U.S. wireless operating modes / bands		WCDMA HSDPA / HSUPA		Band V: UL: 826.4~846.6MHz / DL: 871.4~891.6MHz Band II: UL: 1852.4~1907.6MHz / DL: 1932.4~1987.6MHz									
		WIFI		2.4G: 2412 MHz ~ 2462 MHz 5G: 5180 MHz ~ 5240 MHz; 5260 MHz ~ 5320 MHz; 5500 MHz ~ 5700 MHz; 5745 MHz ~ 5825 MHz.									
		Bluetooth		2402 MHz ~ 2480 MHz									
		NFC		13.56 MHz									
Simultaneous transmission configurations		In Section 12.2											
Power reduction applied to satisfy SAR compliance		Yes, Proximity sensor.											



### 3.2 Product Photos

Please refer to Appendix D

### 3.3 Applied Standard

The Specific Absorption Rate (SAR) testing specification, method, and procedure for this device is in accordance with the following standards:

- FCC 47 CFR Part 2 (2.1093)
- ANSI/IEEE C95.1-1992
- IEEE 1528-2003
- FCC OET Bulletin 65 Supplement C (Edition 01-01)
- FCC KDB 447498 D01 v04
- FCC KDB 616217 D03 v01
- FCC KDB 941225 D01 v02
- FCC KDB 941225 D05 v01
- FCC KDB 248227 D01 v01r02

### 3.4 Device Category and SAR Limits

This device belongs to portable device category because its radiating structure is allowed to be used within 20 centimeters of the body of the user. Limit for General Population/Uncontrolled exposure should be applied for this device, it is 1.6 W/kg as averaged over any 1 gram of tissue.

### 3.5 Test Conditions

#### 3.5.1 Ambient Condition

Ambient Temperature	20 to 24 °C
Humidity	< 60 %

#### 3.5.2 Test Configuration

For WWAN SAR testing, the device was controlled by using a base station emulator. Communication between the device and the emulator was established by air link. The distance between the DUT and the antenna of the emulator is larger than 50 cm and the output power radiated from the emulator antenna is at least 30 dB smaller than the output power of DUT. The DUT was set from the emulator to radiate maximum output power during all tests.

For WLAN SAR testing, WLAN engineering testing software installed on the DUT can provide continuous transmitting RF signal. This RF signal utilized in SAR measurement has almost 100% duty cycle and its crest factor is 1.



The DUT implements power reduction scheme for SAR compliance, for specific device configuration and orientations, as described below. The complete description of the implementation and functionality is provided in the "Technical Description" exhibit.

**Power reduction applied for each wireless mode and orientation**

Exposure Position / wireless mode	UMTS Band V	UMTS Band II	LTE Band 17	LTE Band 4
Bottom Face	#	#	#	#
Primary Landscape	##	##	##	##
Secondary Landscape	#	#	#	#
Primary Portrait	##	##	##	##
Secondary Portrait	##	##	##	##

#: Reduced maximum limit applied by activation of proximity sensor.

##: Normal Output power without reduction.

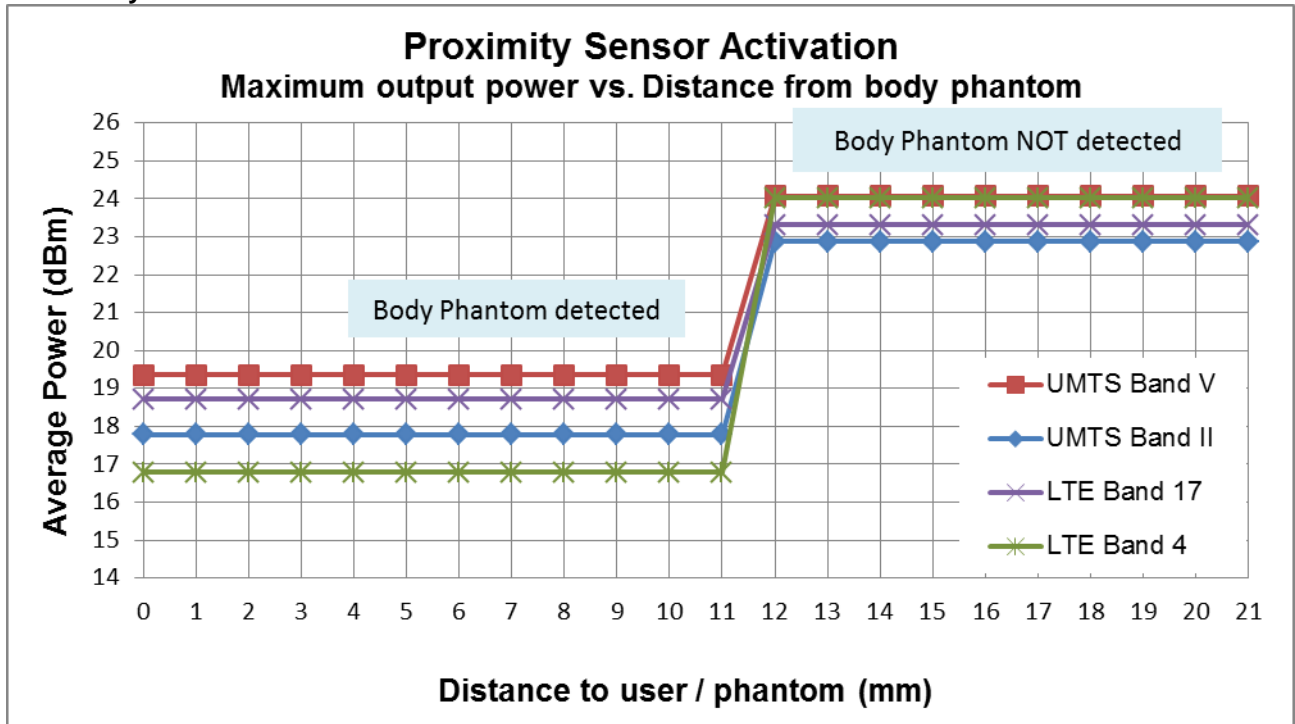
**Note:** WiFi, BT output power is not reduced for SAR compliance.

**Target Power reduction specifications:**

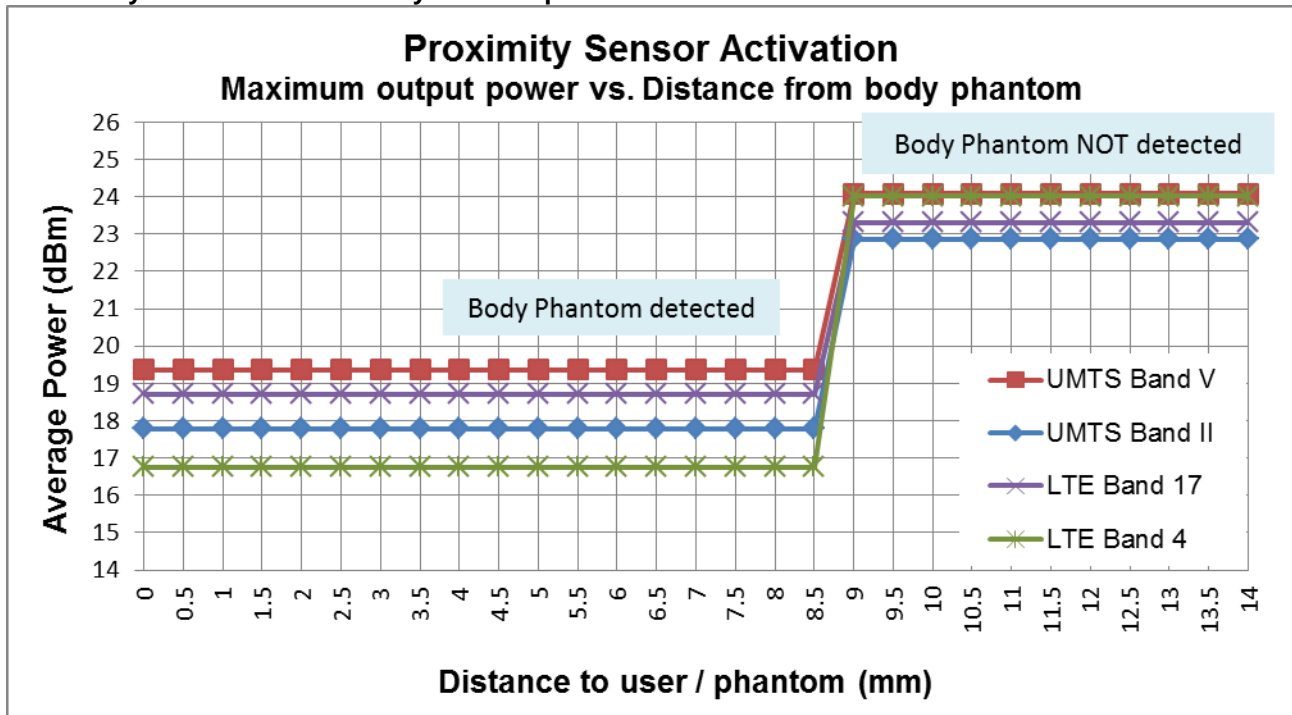
Mode(s)	UMTS Band V	UMTS Band II	LTE Band 17	LTE Band 4
Reduction levels	4.5 dB	5 dB	4.5 dB	7.5 dB

**Remark:** The deviation from the specification is due to the tolerance in the measurement.

<Proximity Sensor for Bottom Face detection>



<Proximity Sensor for Secondary-Landscape detection>



Remark:

1. UMTS Band V, CH4132. Full power: 24.08 dBm, Reduced power: 19.36 dBm. The power reduction level is 4.72 dB.
2. UMTS Band II, CH9538. Full power: 22.87 dBm, Reduced power: 17.79 dBm. The power reduction level is 5.08 dB.
3. LTE Band 17, 10M, CH23780. Full power: 23.31 dBm, Reduced power: 18.71 dBm. The power reduction level is 4.60 dB.
4. LTE Band 4, 20M, CH20175. Full power: 24.02 dBm, Reduced power: 16.78 dBm. The power reduction level is 7.24 dB.

## **4. Specific Absorption Rate (SAR)**

### **4.1 Introduction**

SAR is related to the rate at which energy is absorbed per unit mass in an object exposed to a radio field. The SAR distribution in a biological body is complicated and is usually carried out by experimental techniques or numerical modeling. The standard recommends limits for two tiers of groups, occupational/controlled and general population/uncontrolled, based on a person's awareness and ability to exercise control over his or her exposure. In general, occupational/controlled exposure limits are higher than the limits for general population/uncontrolled.

### **4.2 SAR Definition**

The SAR definition is the time derivative (rate) of the incremental energy (dW) absorbed by (dissipated in) an incremental mass (dm) contained in a volume element (dv) of a given density ( $\rho$ ). The equation description is as below:

$$\text{SAR} = \frac{d}{dt} \left( \frac{dW}{dm} \right) = \frac{d}{dt} \left( \frac{dW}{\rho dv} \right)$$

SAR is expressed in units of Watts per kilogram (W/kg)

SAR measurement can be either related to the temperature elevation in tissue by

$$\text{SAR} = C \left( \frac{\delta T}{\delta t} \right)$$

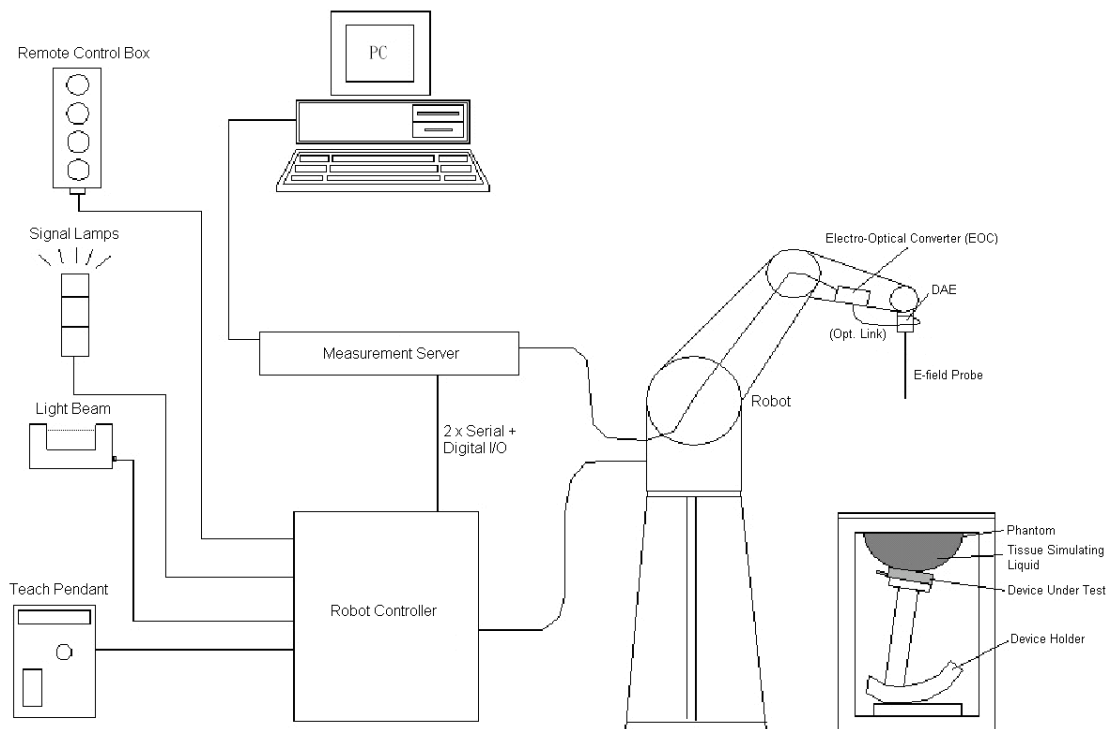
Where: C is the specific heat capacity,  $\delta T$  is the temperature rise and  $\delta t$  is the exposure duration, or related to the electrical field in the tissue by

$$\text{SAR} = \frac{\sigma |E|^2}{\rho}$$

Where:  $\sigma$  is the conductivity of the tissue,  $\rho$  is the mass density of the tissue and E is the RMS electrical field strength.

However for evaluating SAR of low power transmitter, electrical field measurement is typically applied.

## 5. SAR Measurement System



**Fig 5.1 SPEAG DASY System Configurations**

The DASY system for performance compliance tests is illustrated above graphically. This system consists of the following items:

- A standard high precision 6-axis robot with controller, a teach pendant and software
- A data acquisition electronic (DAE) attached to the robot arm extension
- A dosimetric probe equipped with an optical surface detector system
- The electro-optical converter (ECO) performs the conversion between optical and electrical signals
- A measurement server performs the time critical tasks such as signal filtering, control of the robot operation and fast movement interrupts.
- A probe alignment unit which improves the accuracy of the probe positioning
- A computer operating Windows XP
- DASY software
- Remote control with teach pendant and additional circuitry for robot safety such as warning lamps, etc.
- The SAM twin phantom
- A device holder
- Tissue simulating liquid
- Dipole for evaluating the proper functioning of the system

Some of the components are described in details in the following sub-sections.

### 5.1 E-Field Probe

The SAR measurement is conducted with the dosimetric probe (manufactured by SPEAG). The probe is specially designed and calibrated for use in liquid with high permittivity. The dosimetric probe has special calibration in liquid at different frequency. This probe has a built in optical surface detection system to prevent from collision with phantom.

#### 5.1.1 E-Field Probe Specification

##### <ET3DV6 Probe >

<b>Construction</b>	Symmetrical design with triangular core Built-in optical fiber for surface detection system. Built-in shielding against static charges. PEEK enclosure material (resistant to organic solvents, e.g., DGBE)
<b>Frequency</b>	10 MHz to 3 GHz; Linearity: $\pm 0.2$ dB
<b>Directivity</b>	$\pm 0.2$ dB in HSL (rotation around probe axis) $\pm 0.4$ dB in HSL (rotation normal to probe axis)
<b>Dynamic Range</b>	5 $\mu$ W/g to 100 mW/g; Linearity: $\pm 0.2$ dB
<b>Dimensions</b>	Overall length: 330 mm (Tip: 16 mm) Tip diameter: 6.8 mm (Body: 12 mm) Distance from probe tip to dipole centers: 2.7 mm



Fig 5.2 Photo of ET3DV6

##### <EX3DV4 Probe>

<b>Construction</b>	Symmetrical design with triangular core Built-in shielding against static charges PEEK enclosure material (resistant to organic solvents, e.g., DGBE)
<b>Frequency</b>	10 MHz to 6 GHz; Linearity: $\pm 0.2$ dB
<b>Directivity</b>	$\pm 0.3$ dB in HSL (rotation around probe axis) $\pm 0.5$ dB in tissue material (rotation normal to probe axis)
<b>Dynamic Range</b>	10 $\mu$ W/g to 100 mW/g; Linearity: $\pm 0.2$ dB (noise: typically $< 1$ $\mu$ W/g)
<b>Dimensions</b>	Overall length: 330 mm (Tip: 20 mm) Tip diameter: 2.5 mm (Body: 12 mm) Typical distance from probe tip to dipole centers: 1 mm



Fig 5.3 Photo of EX3DV4

### 5.1.2 E-Field Probe Calibration

Each probe needs to be calibrated according to a dosimetric assessment procedure with accuracy better than  $\pm 10\%$ . The spherical isotropy shall be evaluated and within  $\pm 0.25$  dB. The sensitivity parameters (NormX, NormY, and NormZ), the diode compression parameter (DCP) and the conversion factor (ConvF) of the probe are tested. The calibration data can be referred to appendix C of this report.

### 5.2 Data Acquisition Electronics (DAE)

The data acquisition electronics (DAE) consists of a highly sensitive electrometer-grade preamplifier with auto-zeroing, a channel and gain-switching multiplexer, a fast 16 bit AD-converter and a command decoder and control logic unit. Transmission to the measurement server is accomplished through an optical downlink for data and status information as well as an optical uplink for commands and the clock.

The input impedance of the DAE is 200 MOhm; the inputs are symmetrical and floating. Common mode rejection is above 80 dB.



**Fig 5.4 Photo of DAE**

### 5.3 Robot

The SPEAG DASY system uses the high precision robots (DASY4: RX90BL; DASY5: TX90XL) type from Stäubli SA (France). For the 6-axis controller system, the robot controller version (DASY4: CS7MB; DASY5: CS8c) from Stäubli is used. The Stäubli robot series have many features that are important for our application:

- High precision (repeatability  $\pm 0.035$  mm)
- High reliability (industrial design)
- Jerk-free straight movements
- Low ELF interference (the closed metallic construction shields against motor control fields)



**Fig 5.1 Photo of DASY4**



**Fig 5.2 Photo of DASY5**

### 5.4 Measurement Server

The measurement server is based on a PC/104 CPU board with CPU (DASY4: 166 MHz, Intel Pentium; DASY5: 400 MHz, Intel Celeron), chipdisk (DASY4: 32 MB; DASY5: 128 MB), RAM (DASY4: 64 MB, DASY5: 128 MB). The necessary circuits for communication with the DAE electronic box, as well as the 16 bit AD converter system for optical detection and digital I/O interface are contained on the DASY I/O board, which is directly connected to the PC/104 bus of the CPU board.

The measurement server performs all the real-time data evaluation for field measurements and surface detection, controls robot movements and handles safety operations.



Fig 5.1 Photo of Server for DASY4



Fig 5.2 Photo of Server for DASY5

### 5.5 Phantom

<SAM Twin Phantom>

Shell Thickness	2 ± 0.2 mm; Center ear point: 6 ± 0.2 mm
Filling Volume	Approx. 25 liters
Dimensions	Length: 1000 mm; Width: 500 mm; Height: adjustable feet
Measurement Areas	Left Hand, Right Hand, Flat Phantom



Fig 5.3 Photo of SAM Phantom

The bottom plate contains three pair of bolts for locking the device holder. The device holder positions are adjusted to the standard measurement positions in the three sections. A white cover is provided to tap the phantom during off-periods to prevent water evaporation and changes in the liquid parameters. On the phantom top, three reference markers are provided to identify the phantom position with respect to the robot.



<ELI4 Phantom>

Shell Thickness	2 ± 0.2 mm (sagging: <1%)
Filling Volume	Approx. 30 liters
Dimensions	Major ellipse axis: 600 mm Minor axis: 400 mm



Fig 5.4 Photo of ELI4 Phantom

The ELI4 phantom is intended for compliance testing of handheld and body-mounted wireless devices in the frequency range of 30 MHz to 6 GHz. ELI4 is fully compatible with standard and all known tissue simulating liquids.

**5.6 Device Holder**

<Device Holder for SAM Twin Phantom>

The SAR in the phantom is approximately inversely proportional to the square of the distance between the source and the liquid surface. For a source at 5 mm distance, a positioning uncertainty of ± 0.5 mm would produce a SAR uncertainty of ± 20 %. Accurate device positioning is therefore crucial for accurate and repeatable measurements. The positions in which the devices must be measured are defined by the standards.

The DASY device holder is designed to cope with different positions given in the standard. It has two scales for the device rotation (with respect to the body axis) and the device inclination (with respect to the line between the ear reference points). The rotation center for both scales is the ear reference point (EPR). Thus the device needs no repositioning when changing the angles.

The DASY device holder is constructed of low-loss POM material having the following dielectric parameters: relative permittivity  $\epsilon = 3$  and loss tangent  $\delta = 0.02$ . The amount of dielectric material has been reduced in the closest vicinity of the device, since measurements have suggested that the influence of the clamp on the test results could thus be lowered.





Fig 5.5 Device Holder

#### <Laptop Extension Kit>

The extension is lightweight and made of POM, acrylic glass and foam. It fits easily on the upper part of the mounting device in place of the phone positioned. The extension is fully compatible with the SAM Twin and ELI phantoms.

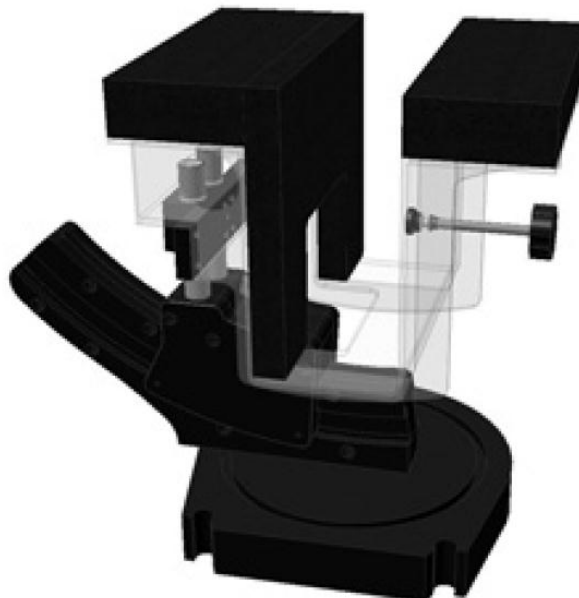


Fig 5.6 Laptop Extension Kit



## 5.7 Data Storage and Evaluation

### 5.7.1 Data Storage

The DASY software stores the assessed data from the data acquisition electronics as raw data (in microvolt readings from the probe sensors), together with all the necessary software parameters for the data evaluation (probe calibration data, liquid parameters and device frequency and modulation data) in measurement files. The post-processing software evaluates the desired unit and format for output each time the data is visualized or exported. This allows verification of the complete software setup even after the measurement and allows correction of erroneous parameter settings. For example, if a measurement has been performed with an incorrect crest factor parameter in the device setup, the parameter can be corrected afterwards and the data can be reevaluated.

The measured data can be visualized or exported in different units or formats, depending on the selected probe type (e.g., [V/m], [A/m], [mW/g]). Some of these units are not available in certain situations or give meaningless results, e.g., a SAR-output in a non-lose media, will always be zero. Raw data can also be exported to perform the evaluation with other software packages.

### 5.7.2 Data Evaluation

The DASY post-processing software (SEMCAD) automatically executes the following procedures to calculate the field units from the microvolt readings at the probe connector. The parameters used in the evaluation are stored in the configuration modules of the software :

<b>Probe parameters :</b>	- Sensitivity	Norm <sub>i</sub> , a <sub>10</sub> , a <sub>11</sub> , a <sub>12</sub>
	- Conversion factor	ConvF <sub>i</sub>
	- Diode compression point	dcp <sub>i</sub>
<b>Device parameters :</b>	- Frequency	f
	- Crest factor	cf
<b>Media parameters :</b>	- Conductivity	σ
	- Density	ρ

These parameters must be set correctly in the software. They can be found in the component documents or they can be imported into the software from the configuration files issued for the DASY components. In the direct measuring mode of the multi-meter option, the parameters of the actual system setup are used. In the scan visualization and export modes, the parameters stored in the corresponding document files are used.

The first step of the evaluation is a linearization of the filtered input signal to account for the compression characteristics of the detector diode. The compensation depends on the input signal, the diode type and the DC-transmission factor from the diode to the evaluation electronics. If the exciting field is pulsed, the crest factor of the signal must be known to correctly compensate for peak power.

The formula for each channel can be given as :

$$V_i = U_i + U_i^2 \cdot \frac{cf}{dcp_i}$$

with  $V_i$  = compensated signal of channel i, (i = x, y, z)  
 $U_i$  = input signal of channel i, (i = x, y, z)  
 cf = crest factor of exciting field (DASY parameter)  
 dcp<sub>i</sub> = diode compression point (DASY parameter)

From the compensated input signals, the primary field data for each channel can be evaluated :

$$\text{E-field Probes : } E_i = \sqrt{\frac{V_i}{\text{Norm}_i \cdot \text{ConvF}}}$$

$$\text{H-field Probes : } H_i = \sqrt{V_i} \cdot \frac{a_{i0} + a_{i1}f + a_{i2}f^2}{f}$$

with  $V_i$  = compensated signal of channel i, (i = x, y, z)  
 $\text{Norm}_i$  = sensor sensitivity of channel i, (i = x, y, z),  $\mu\text{V}/(\text{V/m})^2$  for E-field Probes  
 ConvF = sensitivity enhancement in solution  
 $a_{ij}$  = sensor sensitivity factors for H-field probes  
 f = carrier frequency [GHz]  
 $E_i$  = electric field strength of channel i in V/m  
 $H_i$  = magnetic field strength of channel i in A/m

The RSS value of the field components gives the total field strength (Hermitian magnitude) :

$$E_{\text{tot}} = \sqrt{E_x^2 + E_y^2 + E_z^2}$$

The primary field data are used to calculate the derived field units.

$$\text{SAR} = E_{\text{tot}}^2 \cdot \frac{\sigma}{\rho \cdot 1000}$$

with SAR = local specific absorption rate in mW/g  
 $E_{\text{tot}}$  = total field strength in V/m  
 $\sigma$  = conductivity in [mho/m] or [Siemens/m]  
 $\rho$  = equivalent tissue density in  $\text{g/cm}^3$

Note that the density is set to 1, to account for actual head tissue density rather than the density of the tissue simulating liquid.



**5.8 Test Equipment List**

Manufacturer	Name of Equipment	Type/Model	Serial Number	Calibration	
				Last Cal.	Due Date
SPEAG	750MHz System Validation Kit	D750V3	1012	Jun. 11, 2010	Jun. 10, 2012
SPEAG	835MHz System Validation Kit	D835V2	499	Mar. 22, 2010	Mar. 21, 2012
SPEAG	1750MHz System Validation Kit	D1750V2	1023	Jun. 16, 2011	Jun. 15, 2012
SPEAG	1900MHz System Validation Kit	D1900V2	5d041	Mar. 23, 2010	Mar. 22, 2012
SPEAG	2450MHz System Validation Kit	D2450V2	736	Jul. 25, 2011	Jul. 24, 2012
SPEAG	5GHz System Validation Kit	D5GHzV2	1040	Jun. 21, 2011	Jun. 20, 2012
SPEAG	Data Acquisition Electronics	DAE3	495	Apr. 28, 2011	Apr. 27, 2012
SPEAG	Data Acquisition Electronics	DAE4	778	Nov. 22, 2011	Nov. 21, 2012
SPEAG	Data Acquisition Electronics	DAE4	1279	Jun. 17, 2011	Jun. 16, 2012
SPEAG	Dosimetric E-Field Probe	ET3DV6	1787	May. 20, 2011	May. 19, 2012
SPEAG	Dosimetric E-Filed Probe	EX3DV4	3792	Jun. 20, 2011	Jun. 19, 2012
SPEAG	Device Holder	N/A	N/A	NCR	NCR
SPEAG	SAM Phantom	QD 000 P40 C	TP-1303	NCR	NCR
SPEAG	SAM Phantom	QD 000 P40 C	TP-1383	NCR	NCR
SPEAG	SAM Phantom	QD 000 P40 C	TP-1446	NCR	NCR
SPEAG	SAM Phantom	QD 000 P40 C	TP-1478	NCR	NCR
SPEAG	SAM Phantom	QD 000 P41 C	TP-1150	NCR	NCR
SPEAG	SAM Phantom	QD 000 P40 CD	TP-1644	NCR	NCR
SPEAG	SAM Phantom	SM 000 T01 DA	TP-1542	NCR	NCR
SPEAG	ELI4 Phantom	QD 0VA 001 BB	1026	NCR	NCR
SPEAG	ELI4 Phantom	QD 0VA 001 BA	1029	NCR	NCR
SPEAG	ELI4 Phantom	QD 0VA 002 AA	TP-1127	NCR	NCR
SPEAG	ELI4 Phantom	QD 0VA 002 AA	TP-1131	NCR	NCR
Agilent	ENA Series Network Analyzer	E5071C	MY46100746	Jun. 10, 2011	Jun. 09, 2012
Anritsu	Radio Communication Analyzer	MT8820C	6201026480	Aug. 12 ,2011	Aug. 11 ,2012
Agilent	ESG Vector Series Signal Generator	E4438C	MY49070755	Oct. 17, 2011	Oct. 16, 2012
Anritsu	Power Meter	ML2495A	932001	Sep. 21, 2011	Sep. 20, 2012
Agilent	Wireless Communication Test Set	E5515C	MY50260107	Jul. 16, 2010	Jul. 15, 2012
Agilent	Wireless Communication Test Set	E5515C	GB46311322	Mar. 23, 2011	Mar. 22, 2013
Agilent	Wireless Communication Test Set	E5515C	MY50264370	Apr. 19, 2011	Apr. 18, 2013
Agilent	Wireless Communication Test Set	E5515C	MY50266977	Nov. 13, 2011	Nov. 12, 2013
Agilent	RF Vector Network Analyzer	E8358A	US40260131	May. 17, 2011	May. 16, 2012
R&S	Universal Radio Communication Tester	CMU200	114256	Feb. 08, 2010	Feb. 07, 2012
R&S	Spectrum Analyzer	FSP7	101131	Jul. 29, 2011	Jul. 28, 2012
R&S	Spectrum Analyzer	FSP30	101329	May. 03, 2011	May. 02, 2012

**Table 5.1 Test Equipment List**

**Note:**

1. The calibration certificate of DASY can be referred to appendix C of this report.
2. Referring to KDB 450824 D02, the dipole calibration interval can be extended to 3 years with justification. The dipoles are also not physically damaged, or repaired during the interval.
3. The justification data of dipole D750V3: SN 1012, D835V2: SN 499, D1900V2: SN 5d041 can be found in appendix C. The return loss is < -20dB, within 20% of prior calibration, the impedance is within 5 ohm of prior calibration.

## 6. Tissue Simulating Liquids

For the measurement of the field distribution inside the SAM phantom with DASY, the phantom must be filled with around 25 liters of homogeneous body tissue simulating liquid. For head SAR testing, the liquid height from the ear reference point (ERP) of the phantom to the liquid top surface is larger than 15 cm, which is shown in Fig. 6.1. For body SAR testing, the liquid height from the center of the flat phantom to the liquid top surface is larger than 15 cm, which is shown in Fig. 6.2.

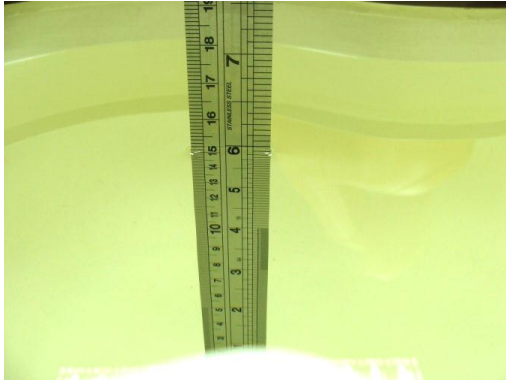


Fig 6.1 Photo of Liquid Height for Head SAR

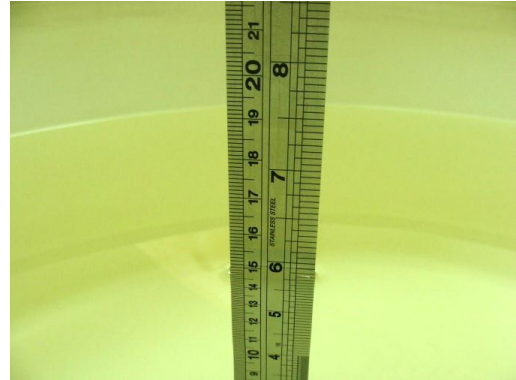


Fig 6.2 Photo of Liquid Height for Body SAR

The following table gives the recipes for tissue simulating liquid.

Frequency (MHz)	Water (%)	Sugar (%)	Cellulose (%)	Salt (%)	Preventol (%)	DGBE (%)	Conductivity ( $\sigma$ )	Permittivity ( $\epsilon_r$ )
<b>For Head</b>								
750	41.1	57.0	0.2	1.4	0.2	0	0.89	41.9
835	40.3	57.9	0.2	1.4	0.2	0	0.90	41.5
900	40.3	57.9	0.2	1.4	0.2	0	0.97	41.5
1800, 1900, 2000	55.2	0	0	0.3	0	44.5	1.40	40.0
2450	55.0	0	0	0	0	45.0	1.80	39.2
<b>For Body</b>								
750	51.7	47.2	0	0.9	0.1	0	0.96	55.5
835	50.8	48.2	0	0.9	0.1	0	0.97	55.2
900	50.8	48.2	0	0.9	0.1	0	1.05	55.0
1800, 1900, 2000	70.2	0	0	0.4	0	29.4	1.52	53.3
2450	68.6	0	0	0	0	31.4	1.95	52.7

Table 6.1 Recipes of Tissue Simulating Liquid

### Simulating Liquid for 5G, Manufactured by SPEAG

Ingredients	(% by weight)
Water	64~78%
Mineral oil	11~18%
Emulsifiers	9~15%
Additives and Salt	2~3%



The dielectric parameters of the liquids were verified prior to the SAR evaluation using an Agilent 85070D Dielectric Probe Kit and an Agilent Network Analyzer.

The following table shows the measuring results for simulating liquid.

Freq. (MHz)	Liquid Type	Temp. (°C)	Conductivity ( $\sigma$ )	Permittivity ( $\epsilon_r$ )	Conductivity Target ( $\sigma$ )	Permittivity Target ( $\epsilon_r$ )	Delta ( $\sigma$ ) (%)	Delta ( $\epsilon_r$ ) (%)	Limit (%)	Date
750	Body	21.4	0.965	54.3	0.96	55.5	0.52	-2.16	±5	Dec. 12, 2011
835	Body	21.3	0.977	53.2	0.97	55.2	0.72	-3.62	±5	Dec. 08, 2011
1750	Body	21.6	1.5	52.3	1.52	53.3	-1.32	-1.88	±5	Jan. 10, 2012
1900	Body	21.5	1.52	53.6	1.52	53.3	0.00	0.56	±5	Dec. 09, 2011
2450	Body	21.6	2.01	53.8	1.95	52.7	3.08	2.09	±5	Dec. 26, 2011
5200	Body	21.4	5.16	48.5	5.3	49.0	-2.64	-1.02	±5	Nov. 22, 2011
5500	Body	21.4	5.74	48.6	5.65	48.6	1.59	0.00	±5	Nov. 22, 2011
5800	Body	21.4	6.13	47.8	6.0	48.2	2.17	-0.83	±5	Nov. 22, 2011

Table 6.2 Measuring Results for Simulating Liquid



Freq. (MHz)	Liquid Type	Conductivity ( $\sigma$ )	Permittivity ( $\epsilon_r$ )	Conductivity Target ( $\sigma$ )	Permittivity Target ( $\epsilon_r$ )	Delta ( $\sigma$ ) (%)	Delta ( $\epsilon_r$ ) (%)	Limit (%)	Date
709	Body	0.934	55.3	0.96	55.7	-2.71	-0.72	$\pm 5$	Dec. 12, 2011
710	Body	0.938	55.3	0.96	55.7	-2.29	-0.72	$\pm 5$	Dec. 12, 2011
711	Body	0.939	55.3	0.96	55.7	-2.19	-0.72	$\pm 5$	Dec. 12, 2011
826.4	Body	0.968	53.3	0.97	55.2	-0.21	-3.44	$\pm 5$	Dec. 08, 2011
836.4	Body	0.979	53.2	0.97	55.2	0.93	-3.62	$\pm 5$	Dec. 08, 2011
846.6	Body	0.989	53.1	0.98	55.2	0.92	-3.80	$\pm 5$	Dec. 08, 2011
1720	Body	1.47	52.3	1.47	53.5	0.00	-2.24	$\pm 5$	Jan. 10, 2012
1732.5	Body	1.49	52.3	1.48	53.4	0.68	-2.06	$\pm 5$	Jan. 10, 2012
1745	Body	1.5	52.4	1.49	53.4	0.67	-1.87	$\pm 5$	Jan. 10, 2012
1852.4	Body	1.48	53.8	1.50	53.4	-1.33	0.75	$\pm 5$	Dec. 09, 2011
1880	Body	1.5	53.7	1.51	53.3	-0.66	0.75	$\pm 5$	Dec. 09, 2011
1907.6	Body	1.52	53.6	1.51	53.3	0.66	0.56	$\pm 5$	Dec. 09, 2011
2412	Body	1.95	53.9	1.90	52.7	2.84	2.18	$\pm 5$	Dec. 26, 2011
2437	Body	1.99	53.8	1.93	52.7	3.03	2.06	$\pm 5$	Dec. 26, 2011
2462	Body	2.03	53.8	1.97	52.7	3.20	2.12	$\pm 5$	Dec. 26, 2011
5180	Body	5.26	49.23	5.28	49.0	-0.28	0.38	$\pm 5$	Nov. 22, 2011
5200	Body	5.29	49.18	5.30	49.0	-0.17	0.35	$\pm 5$	Nov. 22, 2011
5220	Body	5.32	49.16	5.32	49.0	0.00	0.35	$\pm 5$	Nov. 22, 2011
5240	Body	5.36	49.13	5.35	49.0	0.17	0.35	$\pm 5$	Nov. 22, 2011
5260	Body	5.38	49.09	5.37	48.9	0.26	0.32	$\pm 5$	Nov. 22, 2011
5280	Body	5.41	49.04	5.39	48.9	0.27	0.28	$\pm 5$	Nov. 22, 2011
5300	Body	5.43	48.99	5.42	48.9	0.28	0.23	$\pm 5$	Nov. 22, 2011
5320	Body	5.46	48.93	5.44	48.9	0.47	0.16	$\pm 5$	Nov. 22, 2011
5500	Body	5.73	48.60	5.65	48.6	1.43	-0.02	$\pm 5$	Nov. 22, 2011
5520	Body	5.75	48.52	5.67	48.6	1.43	-0.12	$\pm 5$	Nov. 22, 2011
5540	Body	5.78	48.44	5.70	48.6	1.43	-0.23	$\pm 5$	Nov. 22, 2011
5560	Body	5.80	48.38	5.72	48.5	1.49	-0.29	$\pm 5$	Nov. 22, 2011
5580	Body	5.83	48.34	5.74	48.5	1.59	-0.32	$\pm 5$	Nov. 22, 2011
5600	Body	5.86	48.31	5.77	48.5	1.70	-0.34	$\pm 5$	Nov. 22, 2011
5620	Body	5.89	48.25	5.79	48.4	1.78	-0.40	$\pm 5$	Nov. 22, 2011
5640	Body	5.92	48.20	5.81	48.4	1.87	-0.45	$\pm 5$	Nov. 22, 2011
5660	Body	5.95	48.16	5.84	48.4	1.97	-0.48	$\pm 5$	Nov. 22, 2011
5680	Body	5.98	48.13	5.86	48.4	2.10	-0.49	$\pm 5$	Nov. 22, 2011
5700	Body	6.01	48.10	5.88	48.3	2.23	-0.49	$\pm 5$	Nov. 22, 2011
5745	Body	6.06	48.00	5.94	48.3	2.04	-0.58	$\pm 5$	Nov. 22, 2011
5765	Body	6.08	47.92	5.96	48.2	2.00	-0.67	$\pm 5$	Nov. 22, 2011
5785	Body	6.10	47.84	5.98	48.2	1.98	-0.78	$\pm 5$	Nov. 22, 2011
5805	Body	6.13	47.76	6.01	48.2	2.00	-0.89	$\pm 5$	Nov. 22, 2011
5825	Body	6.16	47.68	6.03	48.2	2.13	-1.01	$\pm 5$	Nov. 22, 2011

Table 6.3 Low/Middle/High Channel for Liquid Validation



## **7. Uncertainty Assessment**

The component of uncertainty may generally be categorized according to the methods used to evaluate them. The evaluation of uncertainty by the statistical analysis of a series of observations is termed a Type A evaluation of uncertainty. The evaluation of uncertainty by means other than the statistical analysis of a series of observation is termed a Type B evaluation of uncertainty. Each component of uncertainty, however evaluated, is represented by an estimated standard deviation, termed standard uncertainty, which is determined by the positive square root of the estimated variance.

A Type A evaluation of standard uncertainty may be based on any valid statistical method for treating data. This includes calculating the standard deviation of the mean of a series of independent observations; using the method of least squares to fit a curve to the data in order to estimate the parameter of the curve and their standard deviations; or carrying out an analysis of variance in order to identify and quantify random effects in certain kinds of measurement.

A type B evaluation of standard uncertainty is typically based on scientific judgment using all of the relevant information available. These may include previous measurement data, experience and knowledge of the behavior and properties of relevant materials and instruments, manufacture’s specification, data provided in calibration reports and uncertainties assigned to reference data taken from handbooks. Broadly speaking, the uncertainty is either obtained from an outdoor source or obtained from an assumed distribution, such as the normal distribution, rectangular or triangular distributions indicated in Table 7.1

<b>Uncertainty Distributions</b>	<b>Normal</b>	<b>Rectangular</b>	<b>Triangular</b>	<b>U-Shape</b>
Multi-plying Factor <sup>(a)</sup>	1/k <sup>(b)</sup>	1/√3	1/√6	1/√2

- (a) standard uncertainty is determined as the product of the multiplying factor and the estimated range of variations in the measured quantity
- (b)  $\kappa$  is the coverage factor

**Table 7.1 Standard Uncertainty for Assumed Distribution**

The combined standard uncertainty of the measurement result represents the estimated standard deviation of the result. It is obtained by combining the individual standard uncertainties of both Type A and Type B evaluation using the usual “root-sum-squares” (RSS) methods of combining standard deviations by taking the positive square root of the estimated variances.

Expanded uncertainty is a measure of uncertainty that defines an interval about the measurement result within which the measured value is confidently believed to lie. It is obtained by multiplying the combined standard uncertainty by a coverage factor. Typically, the coverage factor ranges from 2 to 3. Using a coverage factor allows the true value of a measured quantity to be specified with a defined probability within the specified uncertainty range. For purpose of this document, a coverage factor two is used, which corresponds to confidence interval of about 95 %. The DASY uncertainty Budget is showed in Table 7.2.





Error Description	Uncertainty Value (±%)	Probability Distribution	Divisor	Ci (1g)	Ci (10g)	Standard Uncertainty (1g)	Standard Uncertainty (10g)
<b>Measurement System</b>							
Probe Calibration	6.0	Normal	1	1	1	± 6.0 %	± 6.0 %
Axial Isotropy	4.7	Rectangular	√3	0.7	0.7	± 1.9 %	± 1.9 %
Hemispherical Isotropy	9.6	Rectangular	√3	0.7	0.7	± 3.9 %	± 3.9 %
Boundary Effects	1.0	Rectangular	√3	1	1	± 0.6 %	± 0.6 %
Linearity	4.7	Rectangular	√3	1	1	± 2.7 %	± 2.7 %
System Detection Limits	1.0	Rectangular	√3	1	1	± 0.6 %	± 0.6 %
Readout Electronics	0.3	Normal	1	1	1	± 0.3 %	± 0.3 %
Response Time	0.8	Rectangular	√3	1	1	± 0.5 %	± 0.5 %
Integration Time	2.6	Rectangular	√3	1	1	± 1.5 %	± 1.5 %
RF Ambient Noise	3.0	Rectangular	√3	1	1	± 1.7 %	± 1.7 %
RF Ambient Reflections	3.0	Rectangular	√3	1	1	± 1.7 %	± 1.7 %
Probe Positioner	0.4	Rectangular	√3	1	1	± 0.2 %	± 0.2 %
Probe Positioning	2.9	Rectangular	√3	1	1	± 1.7 %	± 1.7 %
Max. SAR Eval.	1.0	Rectangular	√3	1	1	± 0.6 %	± 0.6 %
<b>Test Sample Related</b>							
Device Positioning	2.9	Normal	1	1	1	± 2.9 %	± 2.9 %
Device Holder	3.6	Normal	1	1	1	± 3.6 %	± 3.6 %
Power Drift	5.0	Rectangular	√3	1	1	± 2.9 %	± 2.9 %
<b>Phantom and Setup</b>							
Phantom Uncertainty	4.0	Rectangular	√3	1	1	± 2.3 %	± 2.3 %
Liquid Conductivity (Target)	5.0	Rectangular	√3	0.64	0.43	± 1.8 %	± 1.2 %
Liquid Conductivity (Meas.)	2.5	Normal	1	0.64	0.43	± 1.6 %	± 1.1 %
Liquid Permittivity (Target)	5.0	Rectangular	√3	0.6	0.49	± 1.7 %	± 1.4 %
Liquid Permittivity (Meas.)	2.5	Normal	1	0.6	0.49	± 1.5 %	± 1.2 %
<b>Combined Standard Uncertainty</b>						± 11.0 %	± 10.8 %
<b>Coverage Factor for 95 %</b>						K=2	
<b>Expanded Uncertainty</b>						± 22.0 %	± 21.5 %

Table 7.2 Uncertainty Budget of DASY for frequency range 300 MHz to 3 GHz



Error Description	Uncertainty Value (±%)	Probability Distribution	Divisor	Ci (1g)	Ci (10g)	Standard Uncertainty (1g)	Standard Uncertainty (10g)
<b>Measurement System</b>							
Probe Calibration	6.55	Normal	1	1	1	± 6.6 %	± 6.6 %
Axial Isotropy	4.7	Rectangular	√3	0.7	0.7	± 1.9 %	± 1.9 %
Hemispherical Isotropy	9.6	Rectangular	√3	0.7	0.7	± 3.9 %	± 3.9 %
Boundary Effects	2.0	Rectangular	√3	1	1	± 1.2 %	± 1.2 %
Linearity	4.7	Rectangular	√3	1	1	± 2.7 %	± 2.7 %
System Detection Limits	1.0	Rectangular	√3	1	1	± 0.6 %	± 0.6 %
Readout Electronics	0.3	Normal	1	1	1	± 0.3 %	± 0.3 %
Response Time	0.8	Rectangular	√3	1	1	± 0.5 %	± 0.5 %
Integration Time	2.6	Rectangular	√3	1	1	± 1.5 %	± 1.5 %
RF Ambient Noise	3.0	Rectangular	√3	1	1	± 1.7 %	± 1.7 %
RF Ambient Reflections	3.0	Rectangular	√3	1	1	± 1.7 %	± 1.7 %
Probe Positioner	0.8	Rectangular	√3	1	1	± 0.5 %	± 0.5 %
Probe Positioning	9.9	Rectangular	√3	1	1	± 5.7 %	± 5.7 %
Max. SAR Eval.	4.0	Rectangular	√3	1	1	± 2.3 %	± 2.3 %
<b>Test Sample Related</b>							
Device Positioning	2.9	Normal	1	1	1	± 2.9 %	± 2.9 %
Device Holder	3.6	Normal	1	1	1	± 3.6 %	± 3.6 %
Power Drift	5.0	Rectangular	√3	1	1	± 2.9 %	± 2.9 %
<b>Phantom and Setup</b>							
Phantom Uncertainty	4.0	Rectangular	√3	1	1	± 2.3 %	± 2.3 %
Liquid Conductivity (Target)	5.0	Rectangular	√3	0.64	0.43	± 1.8 %	± 1.2 %
Liquid Conductivity (Meas.)	2.5	Normal	1	0.64	0.43	± 1.6 %	± 1.1 %
Liquid Permittivity (Target)	5.0	Rectangular	√3	0.6	0.49	± 1.7 %	± 1.4 %
Liquid Permittivity (Meas.)	2.5	Normal	1	0.6	0.49	± 1.5 %	± 1.2 %
<b>Combined Standard Uncertainty</b>						± 12.8 %	± 12.6 %
<b>Coverage Factor for 95 %</b>						K=2	
<b>Expanded Uncertainty</b>						± 25.6 %	± 25.2 %

Table 7.3 Uncertainty Budget of DASY for frequency range 3 GHz to 6 GHz

## 8. SAR Measurement Evaluation

Each DASY system is equipped with one or more system validation kits. These units, together with the predefined measurement procedures within the DASY software, enable the user to conduct the system performance check and system validation. System validation kit includes a dipole, tripod holder to fix it underneath the flat phantom and a corresponding distance holder.

### 8.1 Purpose of System Performance check

The system performance check verifies that the system operates within its specifications. System and operator errors can be detected and corrected. It is recommended that the system performance check be performed prior to any usage of the system in order to guarantee reproducible results. The system performance check uses normal SAR measurements in a simplified setup with a well characterized source. This setup was selected to give a high sensitivity to all parameters that might fail or vary over time. The system check does not intend to replace the calibration of the components, but indicates situations where the system uncertainty is exceeded due to drift or failure.

### 8.2 System Setup

In the simplified setup for system evaluation, the DUT is replaced by a calibrated dipole and the power source is replaced by a continuous wave that comes from a signal generator. The calibrated dipole must be placed beneath the flat phantom section of the SAM twin phantom with the correct distance holder. The distance holder should touch the phantom surface with a light pressure at the reference marking and be oriented parallel to the long side of the phantom. The equipment setup is shown below:

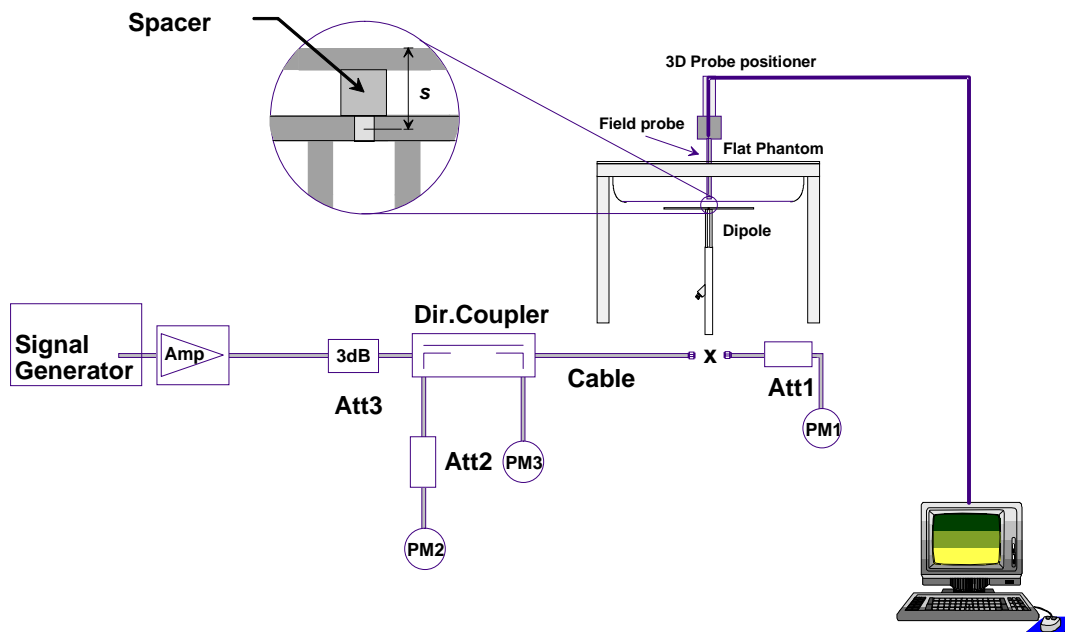
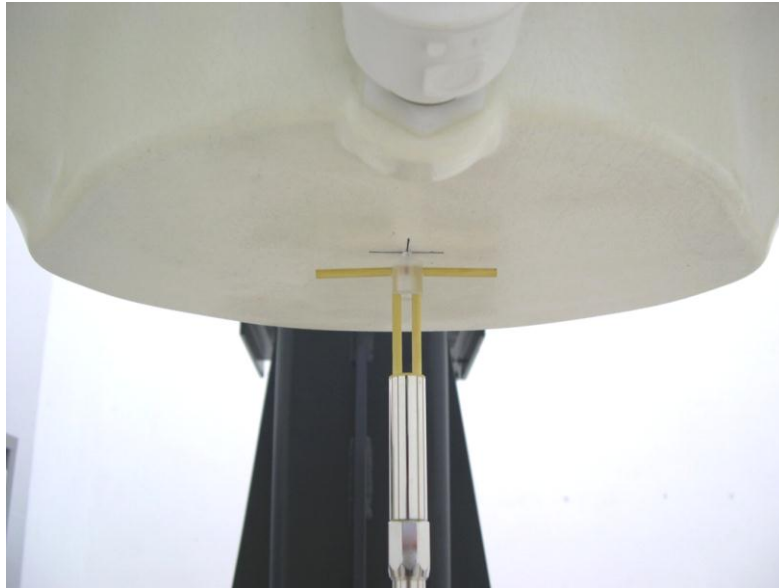


Fig 8.1 System Setup for System Evaluation

1. Signal Generator
2. Amplifier
3. Directional Coupler
4. Power Meter
5. Calibrated Dipole

The output power on dipole port must be calibrated to 24 dBm (250 mW) before dipole is connected.



**Fig 8.2 Photo of Dipole Setup**



### 8.3 Validation Results

Comparing to the original SAR value provided by SPEAG, the validation data should be within its specification of 10 %. Table 8.1 shows the target SAR and measured SAR after normalized to 1W input power. The table below indicates the system performance check can meet the variation criterion and the plots can be referred to Appendix A of this report.

Measurement Date	Frequency (MHz)	Liquid Type	Targeted SAR <sub>1g</sub> (W/kg)	Measured SAR <sub>1g</sub> (W/kg)	Normalized SAR <sub>1g</sub> (W/kg)	Deviation (%)
Dec. 12, 2011	750	Body	8.86	2.22	8.88	0.23
Dec. 08, 2011	835	Body	9.82	2.59	10.36	5.50
Jan. 10, 2012	1750	Body	36.8	9.04	36.16	-1.74
Dec. 09, 2011	1900	Body	40.0	9.53	38.12	-4.70
Dec. 26, 2011	2450	Body	52.3	13.8	55.20	5.54
Nov. 22, 2011	5200	Body	76.0	18.5	74.00	-2.63
Nov. 22, 2011	5500	Body	81.7	19.6	78.40	-4.04
Nov. 22, 2011	5800	Body	75.4	18.6	74.40	-1.33

Table 8.1 Target and Measurement SAR after Normalized

### 9. DUT Testing Position

Please refer to Appendix E for the test setup photos.



## **10. Measurement Procedures**

The measurement procedures are as follows:

- (a) Use base station simulator (if applicable) or engineering software to transmit RF power continuously (continuous Tx) in the highest power channel.
- (b) Keep DUT to radiate maximum output power or 100% duty factor (if applicable)
- (c) Measure output power through RF cable and power meter.
- (d) Place the DUT in the positions as Appendix E demonstrates.
- (e) Set scan area, grid size and other setting on the DASY software.
- (f) Measure SAR results for the highest power channel on each testing position.
- (g) Find out the largest SAR result on these testing positions of each band
- (h) Measure SAR results for other channels in worst SAR testing position if the SAR of highest power channel is larger than 0.8 W/kg

According to the test standard, the recommended procedure for assessing the peak spatial-average SAR value consists of the following steps:

- (a) Power reference measurement
- (b) Area scan
- (c) Zoom scan
- (d) Power drift measurement

### **10.1 Spatial Peak SAR Evaluation**

The procedure for spatial peak SAR evaluation has been implemented according to the test standard. It can be conducted for 1g and 10g, as well as for user-specific masses. The DASY software includes all numerical procedures necessary to evaluate the spatial peak SAR value.

The base for the evaluation is a "cube" measurement. The measured volume must include the 1g and 10g cubes with the highest averaged SAR values. For that purpose, the center of the measured volume is aligned to the interpolated peak SAR value of a previously performed area scan.

The entire evaluation of the spatial peak values is performed within the post-processing engine (SEMCAD). The system always gives the maximum values for the 1g and 10g cubes. The algorithm to find the cube with highest averaged SAR is divided into the following stages:

- (a) Extraction of the measured data (grid and values) from the Zoom Scan
- (b) Calculation of the SAR value at every measurement point based on all stored data (A/D values and measurement parameters)
- (c) Generation of a high-resolution mesh within the measured volume
- (d) Interpolation of all measured values from the measurement grid to the high-resolution grid
- (e) Extrapolation of the entire 3-D field distribution to the phantom surface over the distance from sensor to surface
- (f) Calculation of the averaged SAR within masses of 1g and 10g



## **10.2 Area & Zoom Scan Procedures**

First Area Scan is used to locate the approximate location(s) of the local peak SAR value(s). The measurement grid within an Area Scan is defined by the grid extent, grid step size and grid offset. Next, in order to determine the EM field distribution in a three-dimensional spatial extension, Zoom Scan is required. The Zoom Scan measures 5x5x7 points with step size 8, 8 and 5 mm for 300 MHz to 3 GHz, and 8x8x8 points with step size 4, 4 and 2.5 mm for 3 GHz to 6 GHz. The Zoom Scan is performed around the highest E-field value to determine the averaged SAR-distribution over 10 g.

## **10.3 Volume Scan Procedures**

The volume scan is used for assess overlapping SAR distributions for antennas transmitting in different frequency bands. It is equivalent to an oversized zoom scan used in standalone measurements. The measurement volume will be used to enclose all the simultaneous transmitting antennas. For antennas transmitting simultaneously in different frequency bands, the volume scan is measured separately in each frequency band. In order to sum correctly to compute the 1g aggregate SAR, the DUT remain in the same test position for all measurements and all volume scan use the same spatial resolution and grid spacing (step-size is 4, 4 and 2.5 mm). When all volume scan were completed, the software, SEMCAD postprocessor can combine and subsequently superpose these measurement data to calculating the multiband SAR.

## **10.4 SAR Averaged Methods**

In DASy, the interpolation and extrapolation are both based on the modified Quadratic Shepard's method. The interpolation scheme combines a least-square fitted function method and a weighted average method which are the two basic types of computational interpolation and approximation.

Extrapolation routines are used to obtain SAR values between the lowest measurement points and the inner phantom surface. The extrapolation distance is determined by the surface detection distance and the probe sensor offset. The uncertainty increases with the extrapolation distance. To keep the uncertainty within 1% for the 1 g and 10 g cubes, the extrapolation distance should not be larger than 5 mm.

## **10.5 Power Drift Monitoring**

All SAR testing is under the DUT install full charged battery and transmit maximum output power. In DASy measurement software, the power reference measurement and power drift measurement procedures are used for monitoring the power drift of DUT during SAR test. Both these procedures measure the field at a specified reference position before and after the SAR testing. The software will calculate the field difference in dB. If the power drift more than 5%, the SAR will be retested.



## 11. SAR Test Configurations

### 11.1 Conducted Power (Unit: dBm)

UMTS without Power Reduction							
Band	UMTS Band V			UMTS Band II			
Channel	4132	4182	4233	9262	9400	9538	
Frequency (MHz)	826.4	836.4	846.6	1852.4	1880	1907.6	
RMC 12.2K	24.08	23.89	23.93	22.86	22.49	22.87	
HSDPA Subtest-1	23.37	23.20	23.35	22.13	21.60	22.02	
HSDPA Subtest-2	23.53	23.34	23.47	22.01	21.89	22.10	
HSDPA Subtest-3	22.76	22.62	22.86	21.58	20.99	21.30	
HSDPA Subtest-4	22.92	22.81	22.93	21.35	20.95	21.56	
HSUPA Subtest-1	23.37	23.13	22.70	21.54	21.51	21.75	
HSUPA Subtest-2	21.74	21.72	21.99	18.95	19.55	18.99	
HSUPA Subtest-3	21.86	21.84	22.10	20.18	20.11	20.10	
HSUPA Subtest-4	21.70	21.56	21.57	19.24	19.45	19.58	
HSUPA Subtest-5	23.40	23.39	23.28	21.57	21.43	21.84	
MPR							
0	HSDPA Subtest-1	0.00	0.00	0.00	0.00	0.00	0.00
0	HSDPA Subtest-2	-0.16	-0.14	-0.12	0.12	-0.29	-0.08
0.5	HSDPA Subtest-3	0.61	0.58	0.49	0.55	0.61	0.72
0.5	HSDPA Subtest-4	0.45	0.39	0.42	0.78	0.65	0.46
0	HSUPA Subtest-1	0.03	0.26	0.58	0.03	-0.08	0.09
2	HSUPA Subtest-2	1.66	1.67	1.29	2.62	1.88	2.85
1	HSUPA Subtest-3	1.54	1.55	1.18	1.39	1.32	1.74
2	HSUPA Subtest-4	1.70	1.83	1.71	2.33	1.98	2.26
0	HSUPA Subtest-5	0.00	0.00	0.00	0.00	0.00	0.00

UMTS with Power Reduction							
Band	UMTS Band V			UMTS Band II			
Channel	4132	4182	4233	9262	9400	9538	
Frequency (MHz)	826.4	836.4	846.6	1852.4	1880	1907.6	
RMC 12.2K	19.36	19.34	19.45	17.92	17.60	17.79	
HSDPA Subtest-1	19.22	18.83	18.76	16.33	16.54	17.38	
HSDPA Subtest-2	18.80	18.85	19.12	17.13	16.57	16.82	
HSDPA Subtest-3	18.68	18.31	18.22	15.68	15.85	16.57	
HSDPA Subtest-4	18.65	18.25	18.27	15.61	13.65	14.40	
HSUPA Subtest-1	17.89	18.35	18.39	16.16	16.10	16.47	
HSUPA Subtest-2	17.22	17.30	17.32	14.47	14.12	14.53	
HSUPA Subtest-3	17.19	17.16	17.37	15.03	14.89	15.16	
HSUPA Subtest-4	17.76	17.25	17.14	14.87	14.57	14.87	
HSUPA Subtest-5	18.26	18.35	18.25	16.28	15.77	16.51	
MPR							
0	HSDPA Subtest-1	0.00	0.00	0.00	0.00	0.00	0.00
0	HSDPA Subtest-2	0.42	-0.02	-0.36	-0.80	-0.03	0.56
0.5	HSDPA Subtest-3	0.54	0.52	0.54	0.65	0.69	0.81
0.5	HSDPA Subtest-4	0.57	0.58	0.49	0.72	2.89	2.98
0	HSUPA Subtest-1	0.37	0.00	-0.14	0.12	-0.33	0.04
2	HSUPA Subtest-2	1.04	1.05	0.93	1.81	1.65	1.98
1	HSUPA Subtest-3	1.07	1.19	0.88	1.25	0.88	1.35
2	HSUPA Subtest-4	0.50	1.10	1.11	1.41	1.20	1.64
0	HSUPA Subtest-5	0.00	0.00	0.00	0.00	0.00	0.00





**Note:**

1. For Body SAR, per KDB 941225 D01, RMC 12.2kbps setting is used to evaluate SAR. If HSDPA subset-1 and HSUPA subset-5 output power is < 1/4 dB higher than RMC, or SAR with RMC 12.2kbps setting is  $\leq 1.2W/kg$ , HSDPA and HSUPA SAR evaluation can be excluded.
2. According to KDB 941225 D02 v02, 1)b), the MPR implementation information is provided here.
3. RMC12.2kbps is always the highest output power.

**Power Reduction Delta Level – Full power and reduction power level**

Band	UMTS Band V				UMTS Band II				
	Channel	4132	4182	4233	Target (dB)	9262	9400	9538	Target (dB)
Frequency (MHz)	826.4	836.4	846.6		1852.4	1880	1907.6		
<b>RMC 12.2K</b>	4.72	4.55	4.48	4.5	4.94	4.89	5.08	5	
<b>HSDPA Subtest-1</b>	4.15	4.37	4.59	4.5	5.80	5.06	4.64	5	
<b>HSDPA Subtest-2</b>	4.73	4.49	4.35	4.5	4.88	5.32	5.28	5	
<b>HSDPA Subtest-3</b>	4.08	4.31	4.64	4.5	5.90	5.14	4.73	5	
<b>HSDPA Subtest-4</b>	4.27	4.56	4.66	4.5	5.74	7.30	7.16	5	
<b>HSUPA Subtest-1</b>	5.48	4.78	4.31	4.5	5.38	5.41	5.28	5	
<b>HSUPA Subtest-2</b>	4.52	4.42	4.67	4.5	4.48	5.43	4.46	5	
<b>HSUPA Subtest-3</b>	4.67	4.68	4.73	4.5	5.15	5.22	4.94	5	
<b>HSUPA Subtest-4</b>	3.94	4.31	4.43	4.5	4.37	4.88	4.71	5	
<b>HSUPA Subtest-5</b>	5.14	5.04	5.03	4.5	5.29	5.66	5.33	5	

**Note:** The target power reduction value is listed in sec. 3.5.2. The deviation from the specification is due to the tolerance in the measurement.



<Without Power Reduction: LTE band 17>

Frequency [MHz]	Uplink Channel Number	BW [MHz]	RB Size	RB Offset	Mod	Maximum Average Power (dBm)	MPR Target (dB)	MPR Result (dB)
709	23780	10	1	0	QPSK	23.31	0.00	0.00
709	23780	10	1	49	QPSK	23.26	0.00	0.05
709	23780	10	25	13	QPSK	22.19	1.00	1.12
709	23780	10	50	0	QPSK	22.24	1.00	1.07
709	23780	10	1	0	16-QAM	22.69	1.00	0.62
709	23780	10	1	49	16-QAM	22.20	1.00	1.11
709	23780	10	25	13	16-QAM	21.33	2.00	1.98
709	23780	10	50	0	16-QAM	21.16	2.00	2.15
706.5	23755	5	1	0	QPSK	23.14	0.00	0.03
706.5	23755	5	1	24	QPSK	23.17	0.00	0.00
706.5	23755	5	12	6	QPSK	21.96	1.00	1.21
706.5	23755	5	25	0	QPSK	22.16	1.00	1.01
706.5	23755	5	1	0	16-QAM	22.06	1.00	1.11
706.5	23755	5	1	24	16-QAM	22.14	1.00	1.03
706.5	23755	5	12	6	16-QAM	20.95	2.00	2.22
706.5	23755	5	25	0	16-QAM	21.40	2.00	1.77
710	23790	10	1	0	QPSK	23.01	0.00	0.00
710	23790	10	1	49	QPSK	22.95	0.00	0.06
710	23790	10	25	13	QPSK	21.97	1.00	1.04
710	23790	10	50	0	QPSK	22.02	1.00	0.99
710	23790	10	1	0	16-QAM	22.23	1.00	0.78
710	23790	10	1	49	16-QAM	22.40	1.00	0.61
710	23790	10	25	13	16-QAM	21.37	2.00	1.64
710	23790	10	50	0	16-QAM	21.14	2.00	1.87
710	23790	5	1	0	QPSK	22.85	0.00	0.18
710	23790	5	1	24	QPSK	23.03	0.00	0.00
710	23790	5	12	6	QPSK	21.96	1.00	1.07
710	23790	5	25	0	QPSK	22.12	1.00	0.91
710	23790	5	1	0	16-QAM	22.01	1.00	1.02
710	23790	5	1	24	16-QAM	22.25	1.00	0.78
710	23790	5	12	6	16-QAM	21.00	2.00	2.03
710	23790	5	25	0	16-QAM	21.48	2.00	1.55
711	23800	10	1	0	QPSK	22.87	0.00	0.00
711	23800	10	1	49	QPSK	22.71	0.00	0.16
711	23800	10	25	13	QPSK	22.04	1.00	0.83
711	23800	10	50	0	QPSK	21.87	1.00	1.00
711	23800	10	1	0	16-QAM	22.08	1.00	0.79
711	23800	10	1	49	16-QAM	21.95	1.00	0.92
711	23800	10	25	13	16-QAM	21.35	2.00	1.52
711	23800	10	50	0	16-QAM	20.98	2.00	1.89
713.5	23825	5	1	0	QPSK	22.98	0.00	0.00
713.5	23825	5	1	24	QPSK	22.60	0.00	0.38
713.5	23825	5	12	6	QPSK	22.01	1.00	0.97
713.5	23825	5	25	0	QPSK	21.94	1.00	1.04
713.5	23825	5	1	0	16-QAM	22.10	1.00	0.88
713.5	23825	5	1	24	16-QAM	21.87	1.00	1.11
713.5	23825	5	12	6	16-QAM	21.11	2.00	1.87
713.5	23825	5	25	0	16-QAM	21.42	2.00	1.56



<With Power Reduction: LTE band 17>

Frequency [MHz]	Uplink Channel Number	BW [MHz]	RB Size	RB Offset	Mod	Maximum Average Power (dBm)	Power Reduction by Proximity Sensor (dB)
709	23780	10	1	0	QPSK	18.71	4.60
709	23780	10	1	49	QPSK	18.53	4.78
709	23780	10	25	13	QPSK	18.39	4.92
709	23780	10	50	0	QPSK	18.47	4.84
709	23780	10	1	0	16-QAM	18.70	4.61
709	23780	10	1	49	16-QAM	18.62	4.69
709	23780	10	25	13	16-QAM	18.64	4.67
709	23780	10	50	0	16-QAM	18.57	4.74
706.5	23755	5	1	0	QPSK	18.05	5.12
706.5	23755	5	1	24	QPSK	17.90	5.27
706.5	23755	5	12	6	QPSK	17.98	5.19
706.5	23755	5	25	0	QPSK	17.99	5.18
706.5	23755	5	1	0	16-QAM	17.63	5.54
706.5	23755	5	1	24	16-QAM	18.02	5.15
706.5	23755	5	12	6	16-QAM	18.04	5.13
706.5	23755	5	25	0	16-QAM	17.90	5.27
710	23790	10	1	0	QPSK	18.71	4.30
710	23790	10	1	49	QPSK	18.45	4.56
710	23790	10	25	13	QPSK	18.34	4.67
710	23790	10	50	0	QPSK	18.38	4.63
710	23790	10	1	0	16-QAM	18.53	4.48
710	23790	10	1	49	16-QAM	18.70	4.31
710	23790	10	25	13	16-QAM	18.66	4.35
710	23790	10	50	0	16-QAM	18.54	4.47
710	23790	5	1	0	QPSK	18.20	4.83
710	23790	5	1	24	QPSK	18.16	4.87
710	23790	5	12	6	QPSK	18.06	4.97
710	23790	5	25	0	QPSK	18.09	4.94
710	23790	5	1	0	16-QAM	17.89	5.14
710	23790	5	1	24	16-QAM	17.98	5.05
710	23790	5	12	6	16-QAM	18.06	4.97
710	23790	5	25	0	16-QAM	18.15	4.88
711	23800	10	1	0	QPSK	18.41	4.46
711	23800	10	1	49	QPSK	18.29	4.58
711	23800	10	25	13	QPSK	18.36	4.51
711	23800	10	50	0	QPSK	18.26	4.61
711	23800	10	1	0	16-QAM	18.54	4.33
711	23800	10	1	49	16-QAM	18.40	4.47
711	23800	10	25	13	16-QAM	18.70	4.17
711	23800	10	50	0	16-QAM	18.45	4.42
713.5	23825	5	1	0	QPSK	17.98	5.00
713.5	23825	5	1	24	QPSK	17.65	5.33
713.5	23825	5	12	6	QPSK	17.96	5.02
713.5	23825	5	25	0	QPSK	17.84	5.14
713.5	23825	5	1	0	16-QAM	17.88	5.10
713.5	23825	5	1	24	16-QAM	16.87	6.11
713.5	23825	5	12	6	16-QAM	17.89	5.09
713.5	23825	5	25	0	16-QAM	17.90	5.08



<Without Power Reduction: LTE band 4>

Frequency [MHz]	Uplink Channel Number	BW [MHz]	RB Size	RB Offset	Mod	Maximum Average Power (dBm)	MPR Target (dB)	MPR Result (dB)
1720	20050	20	1	0	QPSK	23.89	0.00	0.00
1720	20050	20	1	99	QPSK	23.55	0.00	0.34
1720	20050	20	50	25	QPSK	22.79	1.00	1.10
1720	20050	20	100	0	QPSK	22.80	1.00	1.09
1720	20050	20	1	0	16-QAM	23.10	1.00	0.79
1720	20050	20	1	99	16-QAM	22.91	1.00	0.98
1720	20050	20	50	25	16-QAM	21.98	2.00	1.91
1720	20050	20	100	0	16-QAM	21.89	2.00	2.00
1717.5	20025	15	1	0	QPSK	24.00	0.00	0.00
1717.5	20025	15	1	74	QPSK	23.58	0.00	0.42
1717.5	20025	15	36	18	QPSK	22.73	1.00	1.27
1717.5	20025	15	75	0	QPSK	22.70	1.00	1.30
1717.5	20025	15	1	0	16-QAM	23.05	1.00	0.95
1717.5	20025	15	1	74	16-QAM	22.75	1.00	1.25
1717.5	20025	15	36	18	16-QAM	21.95	2.00	2.05
1717.5	20025	15	75	0	16-QAM	21.71	2.00	2.29
1715	20000	10	1	0	QPSK	24.14	0.00	0.00
1715	20000	10	1	49	QPSK	24.02	0.00	0.12
1715	20000	10	25	13	QPSK	23.17	1.00	0.97
1715	20000	10	50	0	QPSK	23.11	1.00	1.03
1715	20000	10	1	0	16-QAM	23.44	1.00	0.70
1715	20000	10	1	49	16-QAM	23.15	1.00	0.99
1715	20000	10	25	13	16-QAM	22.44	2.00	1.70
1715	20000	10	50	0	16-QAM	22.27	2.00	1.87
1712.5	19975	5	1	0	QPSK	23.98	0.00	0.00
1712.5	19975	5	1	24	QPSK	23.92	0.00	0.06
1712.5	19975	5	12	6	QPSK	22.89	1.00	1.09
1712.5	19975	5	25	0	QPSK	22.93	1.00	1.05
1712.5	19975	5	1	0	16-QAM	23.05	1.00	0.93
1712.5	19975	5	1	24	16-QAM	23.11	1.00	0.87
1712.5	19975	5	12	6	16-QAM	21.82	2.00	2.16
1712.5	19975	5	25	0	16-QAM	22.32	2.00	1.66
1711.5	19965	3	1	0	QPSK	23.75	0.00	0.00
1711.5	19965	3	1	14	QPSK	23.73	0.00	0.02
1711.5	19965	3	7	4	QPSK	22.67	1.00	1.08
1711.5	19965	3	15	0	QPSK	22.65	1.00	1.10
1711.5	19965	3	1	0	16-QAM	22.98	1.00	0.77
1711.5	19965	3	1	14	16-QAM	23.01	1.00	0.74
1711.5	19965	3	7	4	16-QAM	21.93	2.00	1.82
1711.5	19965	3	15	0	16-QAM	21.62	2.00	2.13
1710.7	19957	1.4	1	0	QPSK	23.72	0.00	0.01
1710.7	19957	1.4	1	5	QPSK	23.71	0.00	0.02
1710.7	19957	1.4	3	2	QPSK	23.73	0.00	0.00
1710.7	19957	1.4	6	0	QPSK	22.69	1.00	1.04
1710.7	19957	1.4	1	0	16-QAM	23.00	1.00	0.73
1710.7	19957	1.4	1	5	16-QAM	22.95	1.00	0.78
1710.7	19957	1.4	3	2	16-QAM	22.93	1.00	0.80
1710.7	19957	1.4	6	0	16-QAM	21.94	2.00	1.79



Frequency [MHz]	Uplink Channel Number	BW [MHz]	RB Size	RB Offset	Mod	Maximum Average Power (dBm)	MPR Target (dB)	MPR Result (dB)
1732.5	20175	20	1	0	QPSK	24.02	0.00	0.00
1732.5	20175	20	1	99	QPSK	23.71	0.00	0.31
1732.5	20175	20	50	25	QPSK	22.73	1.00	1.29
1732.5	20175	20	100	0	QPSK	22.80	1.00	1.22
1732.5	20175	20	1	0	16-QAM	23.21	1.00	0.81
1732.5	20175	20	1	99	16-QAM	22.88	1.00	1.14
1732.5	20175	20	50	25	16-QAM	21.88	2.00	2.14
1732.5	20175	20	100	0	16-QAM	21.81	2.00	2.21
1732.5	20175	15	1	0	QPSK	23.86	0.00	0.00
1732.5	20175	15	1	74	QPSK	23.66	0.00	0.20
1732.5	20175	15	36	18	QPSK	22.75	1.00	1.11
1732.5	20175	15	75	0	QPSK	22.70	1.00	1.16
1732.5	20175	15	1	0	16-QAM	23.05	1.00	0.81
1732.5	20175	15	1	74	16-QAM	23.04	1.00	0.82
1732.5	20175	15	36	18	16-QAM	21.88	2.00	1.98
1732.5	20175	15	75	0	16-QAM	21.68	2.00	2.18
1732.5	20175	10	1	0	QPSK	23.81	0.00	0.00
1732.5	20175	10	1	49	QPSK	23.63	0.00	0.18
1732.5	20175	10	25	13	QPSK	22.78	1.00	1.03
1732.5	20175	10	50	0	QPSK	22.78	1.00	1.03
1732.5	20175	10	1	0	16-QAM	23.13	1.00	0.68
1732.5	20175	10	1	49	16-QAM	22.99	1.00	0.82
1732.5	20175	10	25	13	16-QAM	22.15	2.00	1.66
1732.5	20175	10	50	0	16-QAM	21.90	2.00	1.91
1732.5	20175	5	1	0	QPSK	23.54	0.00	0.00
1732.5	20175	5	1	24	QPSK	23.53	0.00	0.01
1732.5	20175	5	12	6	QPSK	22.51	1.00	1.03
1732.5	20175	5	25	0	QPSK	22.56	1.00	0.98
1732.5	20175	5	1	0	16-QAM	22.89	1.00	0.65
1732.5	20175	5	1	24	16-QAM	22.93	1.00	0.61
1732.5	20175	5	12	6	16-QAM	21.62	2.00	1.92
1732.5	20175	5	25	0	16-QAM	22.11	2.00	1.43
1732.5	20175	3	1	0	QPSK	23.29	0.00	0.00
1732.5	20175	3	1	14	QPSK	23.20	0.00	0.09
1732.5	20175	3	7	4	QPSK	22.32	1.00	0.97
1732.5	20175	3	15	0	QPSK	22.26	1.00	1.03
1732.5	20175	3	1	0	16-QAM	22.60	1.00	0.69
1732.5	20175	3	1	14	16-QAM	22.56	1.00	0.73
1732.5	20175	3	7	4	16-QAM	21.55	2.00	1.74
1732.5	20175	3	15	0	16-QAM	21.31	2.00	1.98
1732.5	20175	1.4	1	0	QPSK	23.33	0.00	0.02
1732.5	20175	1.4	1	5	QPSK	23.34	0.00	0.01
1732.5	20175	1.4	3	2	QPSK	23.35	0.00	0.00
1732.5	20175	1.4	6	0	QPSK	22.27	1.00	1.08
1732.5	20175	1.4	1	0	16-QAM	22.62	1.00	0.73
1732.5	20175	1.4	1	5	16-QAM	22.58	1.00	0.77
1732.5	20175	1.4	3	2	16-QAM	22.59	1.00	0.76
1732.5	20175	1.4	6	0	16-QAM	21.53	2.00	1.82



Frequency [MHz]	Uplink Channel Number	BW [MHz]	RB Size	RB Offset	Mod	Maximum Average Power (dBm)	MPR Target (dB)	MPR Result (dB)
1745	20300	20	1	0	QPSK	23.84	0.00	0.00
1745	20300	20	1	99	QPSK	23.71	0.00	0.13
1745	20300	20	50	25	QPSK	22.92	1.00	0.92
1745	20300	20	100	0	QPSK	22.88	1.00	0.96
1745	20300	20	1	0	16-QAM	23.04	1.00	0.80
1745	20300	20	1	99	16-QAM	23.00	1.00	0.84
1745	20300	20	50	25	16-QAM	22.10	2.00	1.74
1745	20300	20	100	0	16-QAM	22.05	2.00	1.79
1747.5	20325	15	1	0	QPSK	23.83	0.00	0.00
1747.5	20325	15	1	74	QPSK	23.70	0.00	0.13
1747.5	20325	15	36	18	QPSK	22.84	1.00	0.99
1747.5	20325	15	75	0	QPSK	22.80	1.00	1.03
1747.5	20325	15	1	0	16-QAM	23.20	1.00	0.63
1747.5	20325	15	1	74	16-QAM	22.99	1.00	0.84
1747.5	20325	15	36	18	16-QAM	22.00	2.00	1.83
1747.5	20325	15	75	0	16-QAM	21.81	2.00	2.02
1750	20350	10	1	0	QPSK	23.68	0.00	0.00
1750	20350	10	1	49	QPSK	23.67	0.00	0.01
1750	20350	10	25	13	QPSK	22.75	1.00	0.93
1750	20350	10	50	0	QPSK	22.82	1.00	0.86
1750	20350	10	1	0	16-QAM	23.01	1.00	0.67
1750	20350	10	1	49	16-QAM	23.04	1.00	0.64
1750	20350	10	25	13	16-QAM	22.15	2.00	1.53
1750	20350	10	50	0	16-QAM	21.95	2.00	1.73
1752.5	20375	5	1	0	QPSK	23.65	0.00	0.00
1752.5	20375	5	1	24	QPSK	23.61	0.00	0.04
1752.5	20375	5	12	6	QPSK	22.62	1.00	1.03
1752.5	20375	5	25	0	QPSK	22.79	1.00	0.86
1752.5	20375	5	1	0	16-QAM	23.05	1.00	0.60
1752.5	20375	5	1	24	16-QAM	23.03	1.00	0.62
1752.5	20375	5	12	6	16-QAM	21.68	2.00	1.97
1752.5	20375	5	25	0	16-QAM	22.21	2.00	1.44
1753.5	20385	3	1	0	QPSK	23.67	0.00	0.00
1753.5	20385	3	1	14	QPSK	23.65	0.00	0.02
1753.5	20385	3	7	4	QPSK	22.62	1.00	1.05
1753.5	20385	3	15	0	QPSK	22.56	1.00	1.11
1753.5	20385	3	1	0	16-QAM	22.95	1.00	0.72
1753.5	20385	3	1	14	16-QAM	22.92	1.00	0.75
1753.5	20385	3	7	4	16-QAM	21.85	2.00	1.82
1753.5	20385	3	15	0	16-QAM	21.55	2.00	2.12
1754.3	20393	1.4	1	0	QPSK	23.50	0.00	0.04
1754.3	20393	1.4	1	5	QPSK	23.52	0.00	0.02
1754.3	20393	1.4	3	2	QPSK	23.54	0.00	0.00
1754.3	20393	1.4	6	0	QPSK	22.53	1.00	1.01
1754.3	20393	1.4	1	0	16-QAM	22.82	1.00	0.72
1754.3	20393	1.4	1	5	16-QAM	22.83	1.00	0.71
1754.3	20393	1.4	3	2	16-QAM	22.85	1.00	0.69
1754.3	20393	1.4	6	0	16-QAM	21.75	2.00	1.79



<With Power Reduction: LTE band 4>

Frequency [MHz]	Uplink Channel Number	BW [MHz]	RB Size	RB Offset	Mod	Maximum Average Power (dBm)	Power Reduction by Proximity Sensor (dB)
1720	20050	20	1	0	QPSK	16.77	7.12
1720	20050	20	1	99	QPSK	16.50	7.39
1720	20050	20	50	25	QPSK	16.45	7.44
1720	20050	20	100	0	QPSK	16.42	7.47
1720	20050	20	1	0	16-QAM	16.60	7.29
1720	20050	20	1	99	16-QAM	16.58	7.31
1720	20050	20	50	25	16-QAM	16.59	7.30
1720	20050	20	100	0	16-QAM	16.50	7.39
1717.5	20025	15	1	0	QPSK	16.58	7.42
1717.5	20025	15	1	74	QPSK	16.44	7.56
1717.5	20025	15	36	18	QPSK	16.55	7.45
1717.5	20025	15	75	0	QPSK	16.47	7.53
1717.5	20025	15	1	0	16-QAM	16.36	7.64
1717.5	20025	15	1	74	16-QAM	16.30	7.70
1717.5	20025	15	36	18	16-QAM	16.47	7.53
1717.5	20025	15	75	0	16-QAM	16.44	7.56
1715	20000	10	1	0	QPSK	16.75	7.39
1715	20000	10	1	49	QPSK	16.58	7.56
1715	20000	10	25	13	QPSK	16.57	7.57
1715	20000	10	50	0	QPSK	16.72	7.42
1715	20000	10	1	0	16-QAM	16.55	7.59
1715	20000	10	1	49	16-QAM	16.73	7.41
1715	20000	10	25	13	16-QAM	16.71	7.43
1715	20000	10	50	0	16-QAM	16.73	7.41
1712.5	19975	5	1	0	QPSK	16.34	7.64
1712.5	19975	5	1	24	QPSK	16.73	7.25
1712.5	19975	5	12	6	QPSK	16.72	7.26
1712.5	19975	5	25	0	QPSK	16.64	7.34
1712.5	19975	5	1	0	16-QAM	16.64	7.34
1712.5	19975	5	1	24	16-QAM	16.81	7.17
1712.5	19975	5	12	6	16-QAM	16.72	7.26
1712.5	19975	5	25	0	16-QAM	16.63	7.35
1711.5	19965	3	1	0	QPSK	16.72	7.03
1711.5	19965	3	1	14	QPSK	16.62	7.13
1711.5	19965	3	7	4	QPSK	16.58	7.17
1711.5	19965	3	15	0	QPSK	16.55	7.20
1711.5	19965	3	1	0	16-QAM	16.66	7.09
1711.5	19965	3	1	14	16-QAM	16.52	7.23
1711.5	19965	3	7	4	16-QAM	16.54	7.21
1711.5	19965	3	15	0	16-QAM	16.50	7.25
1710.7	19957	1.4	1	0	QPSK	16.68	7.05
1710.7	19957	1.4	1	5	QPSK	16.60	7.13
1710.7	19957	1.4	3	2	QPSK	16.61	7.12
1710.7	19957	1.4	6	0	QPSK	16.54	7.19
1710.7	19957	1.4	1	0	16-QAM	16.66	7.07
1710.7	19957	1.4	1	5	16-QAM	16.56	7.17
1710.7	19957	1.4	3	2	16-QAM	16.59	7.14
1710.7	19957	1.4	6	0	16-QAM	16.49	7.24





Frequency [MHz]	Uplink Channel Number	BW [MHz]	RB Size	RB Offset	Mod	Maximum Average Power (dBm)	Power Reduction by Proximity Sensor (dB)
1732.5	20175	20	1	0	QPSK	16.78	7.24
1732.5	20175	20	1	99	QPSK	16.57	7.45
1732.5	20175	20	50	25	QPSK	16.55	7.47
1732.5	20175	20	100	0	QPSK	16.51	7.51
1732.5	20175	20	1	0	16-QAM	16.79	7.23
1732.5	20175	20	1	99	16-QAM	16.54	7.48
1732.5	20175	20	50	25	16-QAM	16.55	7.47
1732.5	20175	20	100	0	16-QAM	16.58	7.44
1732.5	20175	15	1	0	QPSK	16.57	7.29
1732.5	20175	15	1	74	QPSK	16.48	7.38
1732.5	20175	15	36	18	QPSK	16.46	7.40
1732.5	20175	15	75	0	QPSK	16.34	7.52
1732.5	20175	15	1	0	16-QAM	16.67	7.19
1732.5	20175	15	1	74	16-QAM	16.60	7.26
1732.5	20175	15	36	18	16-QAM	16.41	7.45
1732.5	20175	15	75	0	16-QAM	16.31	7.55
1732.5	20175	10	1	0	QPSK	16.33	7.48
1732.5	20175	10	1	49	QPSK	15.94	7.87
1732.5	20175	10	25	13	QPSK	16.31	7.50
1732.5	20175	10	50	0	QPSK	16.25	7.56
1732.5	20175	10	1	0	16-QAM	16.26	7.55
1732.5	20175	10	1	49	16-QAM	16.31	7.50
1732.5	20175	10	25	13	16-QAM	16.32	7.49
1732.5	20175	10	50	0	16-QAM	16.27	7.54
1732.5	20175	5	1	0	QPSK	16.32	7.22
1732.5	20175	5	1	24	QPSK	16.07	7.47
1732.5	20175	5	12	6	QPSK	16.22	7.32
1732.5	20175	5	25	0	QPSK	16.19	7.35
1732.5	20175	5	1	0	16-QAM	16.27	7.27
1732.5	20175	5	1	24	16-QAM	16.31	7.23
1732.5	20175	5	12	6	16-QAM	16.28	7.26
1732.5	20175	5	25	0	16-QAM	16.22	7.32
1732.5	20175	3	1	0	QPSK	16.32	6.97
1732.5	20175	3	1	14	QPSK	16.21	7.08
1732.5	20175	3	7	4	QPSK	16.30	6.99
1732.5	20175	3	15	0	QPSK	16.15	7.14
1732.5	20175	3	1	0	16-QAM	16.22	7.07
1732.5	20175	3	1	14	16-QAM	16.16	7.13
1732.5	20175	3	7	4	16-QAM	16.25	7.04
1732.5	20175	3	15	0	16-QAM	16.19	7.10
1732.5	20175	1.4	1	0	QPSK	16.28	7.07
1732.5	20175	1.4	1	5	QPSK	16.26	7.09
1732.5	20175	1.4	3	2	QPSK	16.29	7.06
1732.5	20175	1.4	6	0	QPSK	16.15	7.20
1732.5	20175	1.4	1	0	16-QAM	16.27	7.08
1732.5	20175	1.4	1	5	16-QAM	16.22	7.13
1732.5	20175	1.4	3	2	16-QAM	16.21	7.14
1732.5	20175	1.4	6	0	16-QAM	16.12	7.23





Frequency [MHz]	Uplink Channel Number	BW [MHz]	RB Size	RB Offset	Mod	Maximum Average Power (dBm)	Power Reduction by Proximity Sensor (dB)
1745	20300	20	1	0	QPSK	16.74	7.10
1745	20300	20	1	99	QPSK	16.53	7.31
1745	20300	20	50	25	QPSK	16.50	7.34
1745	20300	20	100	0	QPSK	16.58	7.26
1745	20300	20	1	0	16-QAM	16.76	7.08
1745	20300	20	1	99	16-QAM	16.74	7.10
1745	20300	20	50	25	16-QAM	16.67	7.17
1745	20300	20	100	0	16-QAM	16.62	7.22
1747.5	20325	15	1	0	QPSK	16.65	7.18
1747.5	20325	15	1	74	QPSK	16.76	7.07
1747.5	20325	15	36	18	QPSK	16.78	7.05
1747.5	20325	15	75	0	QPSK	16.78	7.05
1747.5	20325	15	1	0	16-QAM	16.77	7.06
1747.5	20325	15	1	74	16-QAM	16.74	7.09
1747.5	20325	15	36	18	16-QAM	16.56	7.27
1747.5	20325	15	75	0	16-QAM	16.53	7.30
1750	20350	10	1	0	QPSK	16.25	7.43
1750	20350	10	1	49	QPSK	16.50	7.18
1750	20350	10	25	13	QPSK	16.54	7.14
1750	20350	10	50	0	QPSK	16.47	7.21
1750	20350	10	1	0	16-QAM	16.45	7.23
1750	20350	10	1	49	16-QAM	16.65	7.03
1750	20350	10	25	13	16-QAM	16.38	7.30
1750	20350	10	50	0	16-QAM	16.30	7.38
1752.5	20375	5	1	0	QPSK	16.43	7.22
1752.5	20375	5	1	24	QPSK	16.45	7.20
1752.5	20375	5	12	6	QPSK	16.61	7.04
1752.5	20375	5	25	0	QPSK	16.50	7.15
1752.5	20375	5	1	0	16-QAM	16.59	7.06
1752.5	20375	5	1	24	16-QAM	16.60	7.05
1752.5	20375	5	12	6	16-QAM	16.48	7.17
1752.5	20375	5	25	0	16-QAM	16.35	7.30
1753.5	20385	3	1	0	QPSK	16.48	7.20
1753.5	20385	3	1	14	QPSK	16.42	7.26
1753.5	20385	3	7	4	QPSK	16.44	7.24
1753.5	20385	3	15	0	QPSK	16.38	7.30
1753.5	20385	3	1	0	16-QAM	16.39	7.29
1753.5	20385	3	1	14	16-QAM	16.36	7.32
1753.5	20385	3	7	4	16-QAM	16.31	7.37
1753.5	20385	3	15	0	16-QAM	16.30	7.38
1754.3	20393	1.4	1	0	QPSK	16.46	7.22
1754.3	20393	1.4	1	5	QPSK	16.42	7.26
1754.3	20393	1.4	3	2	QPSK	16.43	7.25
1754.3	20393	1.4	6	0	QPSK	16.36	7.32
1754.3	20393	1.4	1	0	16-QAM	16.35	7.33
1754.3	20393	1.4	1	5	16-QAM	16.31	7.37
1754.3	20393	1.4	3	2	16-QAM	16.34	7.34
1754.3	20393	1.4	6	0	16-QAM	16.26	7.42



Note:

1. Choose the widest bandwidth configuration (i.e., 10MHz) to test SAR and determine further SAR exclusion.
2. Per KDB 941225 D05, if the output power variation across the band < 0.5dB, test middle channel SAR first and determine further test reduction based on the SAR results.
3. The proximity sensor power reduction for LTE are excluded the MPR. During proximity sensor activated and power reduction enabled, the LTE output is reduced to certain level, while MPR for different RB configurations is disabled. The power reduction is based on the normal maximum output power.
4. The target power reduction value is listed in sec. 3.5.2. The deviation from the specification is due to the tolerance in the measurement.

LTE Target MPR level

The device implements maximum power reduction per 3GPP 36.101 requirements where the MPR target is as below table. The MPR settings are implemented configured into firmware and cannot be disabled by the end user or LTE carrier network.

Modulation	Channel bandwidth / Transmission bandwidth configuration [RB]						MPR Target (dB)						3GPP MPR (dB)
	1.4MHz	3MHz	5MHz	10MHz	15MHz	20MHz	1.4MHz	3MHz	5MHz	10MHz	15MHz	20MHz	
QPSK	> 5	> 4	> 8	> 12	> 16	> 18	1	1	1	1	1	1	≤ 1
16 QAM	≤ 5	≤ 4	≤ 8	≤ 12	≤ 16	≤ 18	1	1	1	1	1	1	≤ 1
16 QAM	> 5	> 4	> 8	> 12	> 16	> 18	2	2	2	2	2	2	≤ 2

<WLAN 2.4G - Without Power Reduction>

Mode	Channel	Frequency (MHz)	Average power (dBm)			
			Data Rate (bps)			
			1M	2M	5.5M	11M
802.11b	CH 01	2412 MHz	16.87	16.83	16.82	16.80
	CH 06	2437 MHz	17.23	17.22	17.15	17.13
	CH 11	2462 MHz	<b>17.49</b>	17.47	17.40	17.36

Mode	Channel	Frequency (MHz)	Average power (dBm)							
			Data Rate (bps)							
			6M	9M	12M	18M	24M	36M	48M	54M
802.11g	CH 01	2412 MHz	15.13	15.46	14.91	14.64	12.6	12.47	10.97	10.71
	CH 06	2437 MHz	15.48	16.05	15.29	14.74	12.63	12.56	10.99	10.89
	CH 11	2462 MHz	<b>15.53</b>	14.98	15.04	14.94	12.74	12.66	11.11	11.04

Mode	Channel	Frequency (MHz)	Average power (dBm)							
			Data Rate (bps)							
			MCS0	MCS1	MCS2	MCS3	MCS4	MCS5	MCS6	MCS7
802.11n 20M	CH 01	2412 MHz	13.65	14.84	14.72	12.33	12.25	10.58	10.60	9.71
	CH 06	2437 MHz	<b>13.94</b>	15.07	15.02	12.78	12.63	11.09	11.04	10.14
	CH 11	2462 MHz	13.80	14.20	14.96	12.63	12.57	10.92	10.90	9.98

**Note:**

1. Per 2010/10 TCB workshop and KDB 248227, choose the highest output power channel to test SAR and determine further SAR exclusion
2. Per KDB 248227, 11g and 11n output power is less than 1/4 dB higher than 11b mode, thus the SAR can be excluded.



<WLAN 5G - Without Power Reduction>

Mode	Channel	Frequency (MHz)	Average Power (dBm)							
			Data Rate (bps)							
			6M	9M	12M	18M	24M	36M	48M	54M
802.11a	CH 036	5180 MHz	13.67	13.46	13.45	13.45	13.46	13.45	13.45	13.42
	CH 040	5200 MHz	13.48	13.35	13.32	13.46	13.46	13.43	13.45	13.33
	CH 044	5220 MHz	13.51	13.31	13.20	13.33	13.27	13.33	13.32	13.28
	CH 048	5240 MHz	<b>13.70</b>	13.39	13.40	13.51	13.49	13.50	13.51	13.50
	CH 052	5260 MHz	13.57	13.53	13.52	13.56	13.49	13.46	13.55	13.50
	CH 056	5280 MHz	13.43	13.42	13.34	13.37	13.37	13.38	13.42	13.38
	CH 060	5300 MHz	13.83	13.81	13.80	13.81	13.76	13.74	13.82	13.80
	CH 064	5320 MHz	<b>14.11</b>	14.10	14.02	14.10	14.04	14.09	14.00	13.96
	CH 100	5500 MHz	13.74	13.67	13.63	13.65	13.65	13.68	13.39	13.47
	CH 104	5520 MHz	<b>13.76</b>	13.75	13.58	13.74	13.53	13.73	13.43	13.24
	CH 108	5540 MHz	13.52	13.34	13.39	13.50	13.45	13.40	13.43	13.25
	CH 112	5560 MHz	13.71	13.50	13.68	13.65	13.62	13.41	13.25	13.37
	CH 116	5580 MHz	13.40	13.26	13.36	13.28	13.29	13.17	13.28	13.26
	CH 120	5600 MHz	13.71	13.60	13.37	13.69	13.16	13.33	13.20	13.14
	CH 124	5620 MHz	13.51	13.29	13.43	13.49	13.46	13.37	13.46	13.49
	CH 128	5640 MHz	13.62	13.56	13.54	13.59	13.58	13.60	13.48	13.49
	CH 132	5660 MHz	13.45	13.40	13.36	13.35	13.43	13.43	13.36	13.40
	CH 136	5680 MHz	13.36	13.34	13.22	13.25	13.28	13.30	13.23	13.18
	CH 140	5700 MHz	13.39	13.13	13.21	13.31	13.24	13.22	13.31	13.30
	CH 149	5745 MHz	<b>12.81</b>	12.64	12.53	12.45	12.25	12.19	12.04	11.96
CH 153	5765 MHz	12.35	12.80	12.79	12.77	12.69	12.79	12.48	12.42	
CH 157	5785 MHz	12.48	12.71	12.73	12.65	12.55	12.46	12.31	12.26	
CH 161	5805 MHz	12.12	12.03	12.05	11.98	11.83	11.67	11.65	11.60	
CH 165	5825 MHz	11.95	11.79	11.85	11.79	11.56	11.54	11.44	11.36	

Mode	Channel	Frequency (MHz)	Average Power (dBm)							
			Data Rate (bps)							
			MCS0	MCS1	MCS2	MCS3	MCS4	MCS5	MCS6	MCS7
802.11n 20M	CH 036	5180 MHz	13.61	13.47	13.53	13.55	13.60	13.60	13.58	13.41
	CH 040	5200 MHz	13.76	13.72	13.65	13.67	13.58	13.63	13.70	13.28
	CH 044	5220 MHz	<b>13.91</b>	13.72	13.71	13.72	13.55	13.66	13.60	13.34
	CH 048	5240 MHz	13.59	13.17	13.12	13.34	13.33	13.28	13.28	13.19
	CH 052	5260 MHz	13.42	13.16	13.11	13.23	13.25	13.36	13.35	13.18
	CH 056	5280 MHz	13.42	13.40	13.41	13.36	13.31	13.37	13.40	13.14
	CH 060	5300 MHz	13.64	13.35	13.47	13.62	13.63	13.62	13.63	13.04
	CH 064	5320 MHz	<b>13.82</b>	13.60	13.68	13.67	13.71	13.67	13.60	13.14
	CH 100	5500 MHz	13.50	13.14	13.17	13.32	13.38	13.12	13.05	12.75
	CH 104	5520 MHz	<b>13.66</b>	13.35	13.35	13.52	13.56	13.48	13.42	12.71
	CH 108	5540 MHz	13.61	13.53	13.57	13.53	13.58	13.52	13.32	12.75
	CH 112	5560 MHz	13.47	13.40	13.41	13.36	13.42	13.20	13.44	12.76
	CH 116	5580 MHz	13.43	13.41	13.35	13.42	13.42	13.22	13.21	12.67
	CH 120	5600 MHz	13.47	12.96	13.18	13.30	13.12	13.04	13.21	12.76
	CH 124	5620 MHz	13.52	13.39	13.44	13.47	13.38	13.45	13.43	12.87
	CH 128	5640 MHz	13.63	13.43	13.61	13.56	13.53	13.47	13.46	12.90
	CH 132	5660 MHz	13.35	13.13	13.31	13.28	13.25	13.25	13.30	12.94
	CH 136	5680 MHz	13.30	13.05	13.26	13.27	13.18	13.25	13.29	12.94
	CH 140	5700 MHz	13.15	12.70	12.84	12.89	12.95	12.90	12.94	12.98
	CH 149	5745 MHz	<b>12.54</b>	12.52	12.50	12.47	12.43	12.12	12.07	11.12
CH 153	5765 MHz	12.31	12.52	12.50	12.53	12.47	12.24	12.30	11.51	
CH 157	5785 MHz	12.43	12.22	12.16	12.14	12.09	11.96	11.91	11.12	
CH 161	5805 MHz	12.08	11.99	11.98	11.93	11.95	11.66	11.60	11.21	
CH 165	5825 MHz	12.03	11.72	11.65	11.59	11.63	11.43	11.47	11.07	



**Note:**

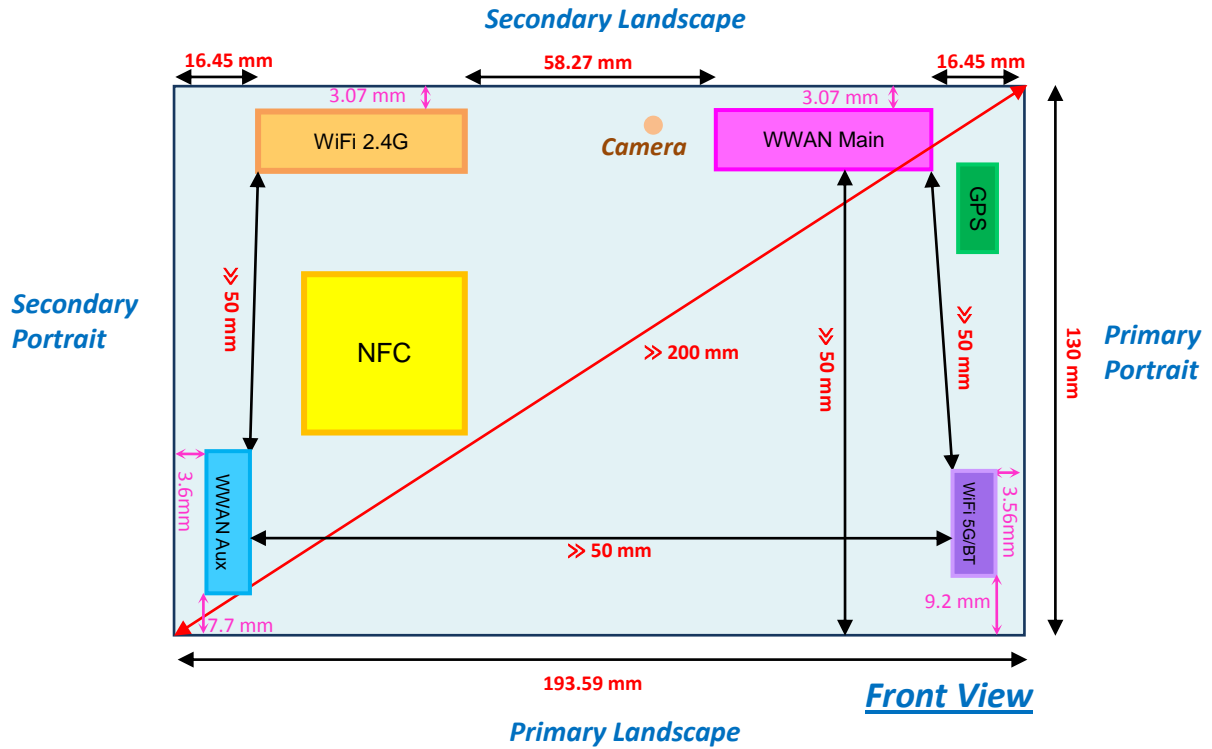
- 1. Per 2010/10 TCB workshop and KDB 248227, choose the highest output power channel to test SAR and determine further SAR exclusion
- 2. Per KDB 248227, 11n output power is less than 1/4 dB higher than 11a mode, thus the SAR can be excluded.

**<Bluetooth - Without Power Reduction>**

Band	Bluetooth		
Channel	0	39	78
Frequency	2402	2441	2480
Average Power	8.38	8.70	8.50

**Note:** Bluetooth stand-alone SAR is not required due to output power  $\leq 60/f(\text{GHz})$  mW.

11.2 Exposure Positions Consideration



Antenna	Mode
WWAN Main (Tx/Rx)	LTE Band 17 LTE Band 4 UMTS Band V UMTS Band II
WWAN Aux (Rx)	LTE Band 17 LTE Band 4 UMTS Band V UMTS Band II
WiFi 2.4G (Tx/Rx)	802.11 b/g/n
WiFi 5G/BT (Tx/Rx)	802.11 a/n Bluetooth



Sides for stand-alone SAR tests; Tablet mode							
Antenna	Mode	Bottom Face	Front Face	Secondary Landscape	Primary Landscape	Secondary Portrait	Primary Portrait
WWAN Main Ant.	UMTS	✓ (0, 10mm)	X	✓ (0, 7.5mm)	X	X	✓ (0mm)
	LTE						
WiFi 2.4G	WiFi 2.4G	✓ (0mm)	X	✓ (0mm)	X	✓ (0mm)	X
WiFi 5G	WiFi 5G	✓ (0mm)	X	X	✓ (0mm)	X	✓ (0mm)
	Bluetooth						

**Note:**

- Per KDB 941225 D07, the DUT diagonal > 20 cm and Mini-Tablet procedure is not applied. Therefore, SAR tests follow the Tablet Mode in KDB 447498.
- There is no screen orientation limitation in DUT; that is 4 orientations are supported. The power reduction for SAR compliance is not triggered by the screen orientation, but triggered by proximity sensor when the user is 11 mm or closer to the DUT from bottom face and 8.5 mm or closer to the DUT from secondary-landscape. Therefore, SAR test setup and test result is conservative for real life usage.
- As in (1), the test distance is 0 mm to the flat phantom; SAR evaluation is required for Bottom Face and each applicable Edge with the antenna within 5 cm to the user.
- The test distance 10 mm at Bottom Face and 7.5 mm at Secondary-Landscape are for verifying the conservative condition, whichever DUT proximity sensor maximum activated distance are 11 mm and 8.5 mm respectively. The DUT is set in full-power mode at 10 mm test distance to the phantom for bottom face and 7.5 mm test distance to the phantom for secondary landscape.
- The proximity sensor is designed to be triggered for Bottom Face and Secondary-Landscape exposure positions. During SAR tests for DUT other edges, the sensor is disabled via software setting.
- Per KDB 447498 D01, the distance from WWAN main antenna to the Secondary-Portrait / Primary-Landscape edge > 5 cm, therefore the stand-alone SAR in these configurations are not required.
- Per KDB 447498 D01, the distance from WiFi 2.4G antenna to the Primary-Portrait / Primary-Landscape edge > 5 cm, therefore the stand-alone SAR in these configurations is not required.
- Per KDB 447498 D01, the distance from WiFi 5G antenna to the Secondary-Portrait / Secondary-Landscape edge > 5 cm, therefore the stand-alone SAR test in these configurations are not required.
- Per KDB 447498 D01, Bluetooth output power  $\leq 60/f(\text{GHz})$  mW thus standalone SAR tests are not required.



## 12. SAR Test Results

### 12.1 Test Records for Body Stand-alone SAR

<UMTS SAR>

Plot No.	Band	Mode	Test Position	Gap (cm)	Ch.	Freq. (MHz)	Output Power (dBm)	Power Back-off	Ear- phone	Power Drift (dB)	SAR <sub>1g</sub> (W/kg)	SAR <sub>10g</sub> (W/kg)
1	WCDMA V	RMC12.2K	Bottom Face	1	4132	826.4	24.08	-	v	-0.104	0.744	0.446
2	WCDMA V	RMC12.2K	Secondary Landscape	0.75	4132	826.4	24.08	-	-	-0.07	0.574	0.334
5	WCDMA V	RMC12.2K	Primary Portrait	0	4132	826.4	24.08	-	v	0.005	0.115	0.054
3	WCDMA V	RMC12.2K	Bottom Face	0	4132	826.4	19.36	v	v	-0.092	1.3	0.668
4	WCDMA V	RMC12.2K	Secondary Landscape	0	4132	826.4	19.36	v	-	0.086	0.749	0.362
6	WCDMA V	RMC12.2K	Bottom Face	0	4182	836.4	19.34	v	v	-0.116	1.19	0.645
7	WCDMA V	RMC12.2K	Bottom Face	0	4233	846.6	19.45	v	v	-0.156	1.21	0.626
8	WCDMA II	RMC12.2K	Bottom Face	1	9538	1907.6	22.87	-	v	-0.021	0.58	0.342
9	WCDMA II	RMC12.2K	Secondary Landscape	0.75	9538	1907.6	22.87	-	-	-0.001	0.807	0.455
12	WCDMA II	RMC12.2K	Primary Portrait	0	9538	1907.6	22.87	-	v	0.028	0.127	0.077
10	WCDMA II	RMC12.2K	Secondary Landscape	0.75	9262	1852.4	22.86	-	-	0.141	0.569	0.327
11	WCDMA II	RMC12.2K	Secondary Landscape	0.75	9400	1880	22.49	-	-	0.062	0.612	0.35
13	WCDMA II	RMC12.2K	Bottom Face	0	9538	1907.6	17.79	v	v	-0.173	1.14	0.587
14	WCDMA II	RMC12.2K	Secondary Landscape	0	9538	1907.6	17.79	v	-	-0.156	0.581	0.286
15	WCDMA II	RMC12.2K	Bottom Face	0	9262	1852.4	17.92	v	v	-0.123	1.15	0.591
16	WCDMA II	RMC12.2K	Bottom Face	0	9400	1880	17.60	v	v	0.165	1.03	0.533

**Note:**

1. Per KDB 447498, if the highest output channel SAR for each exposure position  $\leq 0.8$  W/kg other channels SAR tests are not necessary.
2. 1 cm and 0.75 cm test results are for confirming operation of the power reduction scheme, and are not applicable for compliance demonstration for the FCC tablet PC SAR test procedures.
3. "V" in the earphone column means the earphone is plugged during SAR testing.





<LTE Band 17 SAR>

Plot No.	Band	Mode	BW (MHz)	RB Size	RB Offset	Test Position	Gap (cm)	Ch.	Freq. (MHz)	Output Power (dBm)	Power Back-off	Ear- phone	Power Drift (dB)	SAR <sub>1g</sub> (W/kg)	SAR <sub>10g</sub> (W/kg)
51	LTE Band 17	QPSK	10	25	13	Bottom Face	1	23790	710	21.97	-	v	0.05	0.532	0.331
52	LTE Band 17	QPSK	10	1	0	Bottom Face	1	23790	710	22.01	-	v	0.128	0.573	0.349
53	LTE Band 17	QPSK	10	1	49	Bottom Face	1	23790	710	22.95	-	v	0.005	0.727	0.455
54	LTE Band 17	QPSK	10	25	13	Secondary Landscape	0.75	23790	710	21.97	-	-	0.047	0.517	0.303
55	LTE Band 17	QPSK	10	1	0	Secondary Landscape	0.75	23790	710	22.01	-	-	-0.081	0.59	0.35
56	LTE Band 17	QPSK	10	1	49	Secondary Landscape	0.75	23790	710	22.95	-	-	-0.018	0.706	0.416
57	LTE Band 17	QPSK	10	25	13	Primary Portrait	0	23790	710	21.97	-	v	0.049	0.038	0.022
58	LTE Band 17	QPSK	10	1	0	Primary Portrait	0	23790	710	22.01	-	v	-0.056	0.037	0.023
59	LTE Band 17	QPSK	10	1	49	Primary Portrait	0	23790	710	22.95	-	v	0.013	0.069	0.041
60	LTE Band 17	16QAM	10	25	13	Bottom Face	1	23790	710	21.37	-	v	0.116	0.529	0.323
61	LTE Band 17	16QAM	10	1	0	Bottom Face	1	23790	710	22.23	-	v	0.136	0.543	0.329
62	LTE Band 17	16QAM	10	1	49	Bottom Face	1	23790	710	22.40	-	v	-0.119	0.689	0.426
63	LTE Band 17	16QAM	10	25	13	Secondary Landscape	0.75	23790	710	21.37	-	-	0.042	0.412	0.214
64	LTE Band 17	16QAM	10	1	0	Secondary Landscape	0.75	23790	710	22.23	-	-	0.028	0.429	0.256
65	LTE Band 17	16QAM	10	1	49	Secondary Landscape	0.75	23790	710	22.40	-	-	0.131	0.509	0.303
66	LTE Band 17	16QAM	10	25	13	Primary Portrait	0	23790	710	21.37	-	v	0.157	0.025	0.015
67	LTE Band 17	16QAM	10	1	0	Primary Portrait	0	23790	710	22.23	-	v	-0.016	0.022	0.013
68	LTE Band 17	16QAM	10	1	49	Primary Portrait	0	23790	710	22.40	-	v	-0.073	0.044	0.026
69	LTE Band 17	QPSK	10	25	13	Bottom Face	0	23790	710	18.34	v	v	-0.077	1.26	0.667
70	LTE Band 17	QPSK	10	25	13	Bottom Face	0	23780	709	18.39	v	v	-0.117	1.31	0.691
71	LTE Band 17	QPSK	10	25	13	Bottom Face	0	23800	711	18.36	v	v	-0.124	1.25	0.658
72	LTE Band 17	QPSK	10	1	0	Bottom Face	0	23780	709	18.71	v	v	-0.122	1.25	0.673
73	LTE Band 17	QPSK	10	1	49	Bottom Face	0	23780	709	18.53	v	v	-0.12	1.26	0.671
77	LTE Band 17	QPSK	10	25	13	Secondary Landscape	0	23790	710	18.34	v	-	0.057	0.438	0.238
78	LTE Band 17	QPSK	10	1	0	Secondary Landscape	0	23790	710	18.71	v	-	0.125	0.474	0.26
79	LTE Band 17	QPSK	10	1	49	Secondary Landscape	0	23790	710	18.45	v	-	0.036	0.461	0.252
74	LTE Band 17	16QAM	10	25	13	Bottom Face	0	23780	709	18.64	v	v	-0.127	1.43	0.752
75	LTE Band 17	16QAM	10	1	0	Bottom Face	0	23780	709	18.70	v	v	-0.141	1.33	0.703
76	LTE Band 17	16QAM	10	1	49	Bottom Face	0	23780	709	18.62	v	v	-0.103	1.27	0.681
80	LTE Band 17	16QAM	10	25	13	Secondary Landscape	0	23790	710	18.66	v	-	0.062	0.45	0.247
81	LTE Band 17	16QAM	10	1	0	Secondary Landscape	0	23790	710	18.53	v	-	0.122	0.491	0.266
82	LTE Band 17	16QAM	10	1	49	Secondary Landscape	0	23790	710	18.70	v	-	0.124	0.469	0.256

Note:

1. Per KDB 941225 D05, for LTE, if the smaller bandwidth output power is within +/- 0.5dB of the largest bandwidth, and the maximum SAR of the largest bandwidth is < 1.45 W/kg, SAR for smaller bandwidth can be excluded. Therefore LTE 5MHz bandwidth SAR tests are excluded.
2. Per KDB 941225 D05, for LTE, if 50%-RB QPSK/16QAM SAR < 1.45 W/kg, 100%-RB SAR can be excluded.
3. During proximity sensor activated and power reduction enabled, the LTE output is reduced to certain level, while MPR for different RB configurations is disabled. Therefore the MPR levels are not applicable.
4. If the highest output channel SAR for each exposure position is ≤ 0.8 W/kg, other channels SAR tests are not necessary referring to KDB 941225 D05.



5. 1 cm and 0.75 cm test results are for confirming operation of the power reduction scheme, and are not applicable for compliance demonstration for the FCC tablet PC SAR test procedures.
6. "V" in the earphone column means the earphone is plugged during SAR testing.

<LTE Band 4 SAR>

Plot No.	Band	Mode	BW (MHz)	RB Size	RB Offset	Test Position	Gap (cm)	Ch.	Freq. (MHz)	Output Power (dBm)	Power Back-off	Ear- phone	Power Drift (dB)	SAR <sub>1g</sub> (W/kg)	SAR <sub>10g</sub> (W/kg)
113	LTE Band 4	QPSK	20	50	25	Bottom Face	1	20175	1732.5	22.73	-	v	-0.177	0.991	0.607
114	LTE Band 4	QPSK	20	50	25	Bottom Face	1	20050	1720	22.79	-	v	-0.144	0.967	0.605
115	LTE Band 4	QPSK	20	50	25	Bottom Face	1	20300	1745	22.92	-	v	-0.121	0.981	0.604
116	LTE Band 4	QPSK	20	1	0	Bottom Face	1	20175	1732.5	24.02	-	v	-0.111	1.16	0.724
117	LTE Band 4	QPSK	20	1	99	Bottom Face	1	20175	1732.5	23.71	-	v	-0.103	1.21	0.746
118	LTE Band 4	QPSK	20	50	25	Secondary Landscape	0.75	20175	1732.5	22.73	-	-	-0.009	0.669	0.415
119	LTE Band 4	QPSK	20	1	0	Secondary Landscape	0.75	20175	1732.5	24.02	-	-	0.122	0.839	0.512
120	LTE Band 4	QPSK	20	1	99	Secondary Landscape	0.75	20175	1732.5	23.71	-	-	-0.021	0.847	0.52
121	LTE Band 4	QPSK	20	50	25	Primary Portrait	0	20175	1732.5	22.73	-	v	-0.071	0.116	0.076
122	LTE Band 4	QPSK	20	1	0	Primary Portrait	0	20175	1732.5	24.02	-	v	-0.030	0.137	0.09
123	LTE Band 4	QPSK	20	1	99	Primary Portrait	0	20175	1732.5	23.71	-	v	-0.133	0.143	0.089
124	LTE Band 4	16QAM	20	50	25	Bottom Face	1	20175	1732.5	21.88	-	v	-0.136	0.826	0.519
125	LTE Band 4	16QAM	20	1	0	Bottom Face	1	20175	1732.5	23.21	-	v	-0.084	1.01	0.634
126	LTE Band 4	16QAM	20	1	99	Bottom Face	1	20175	1732.5	22.88	-	v	-0.135	1.04	0.651
127	LTE Band 4	16QAM	20	50	25	Secondary Landscape	0.75	20175	1732.5	21.88	-	-	0.035	0.561	0.342
128	LTE Band 4	16QAM	20	1	0	Secondary Landscape	0.75	20175	1732.5	23.21	-	-	-0.067	0.706	0.423
129	LTE Band 4	16QAM	20	1	99	Secondary Landscape	0.75	20175	1732.5	22.88	-	-	0.030	0.712	0.437
130	LTE Band 4	16QAM	20	50	25	Primary Portrait	0	20175	1732.5	21.88	-	v	-0.130	0.096	0.063
131	LTE Band 4	16QAM	20	1	0	Primary Portrait	0	20175	1732.5	23.21	-	v	-0.154	0.114	0.074
132	LTE Band 4	16QAM	20	1	99	Primary Portrait	0	20175	1732.5	22.88	-	v	0.010	0.119	0.074
133	LTE Band 4	QPSK	20	50	25	Bottom Face	0	20175	1732.5	16.55	v	v	0.095	1.22	0.643
134	LTE Band 4	QPSK	20	50	25	Bottom Face	0	20050	1720	16.45	v	v	-0.125	1.15	0.618
135	LTE Band 4	QPSK	20	50	25	Bottom Face	0	20300	1745	16.50	v	v	-0.124	1.39	0.73
136	LTE Band 4	QPSK	20	1	0	Bottom Face	0	20300	1745	16.74	v	v	-0.115	1.26	0.666
137	LTE Band 4	QPSK	20	1	99	Bottom Face	0	20300	1745	16.53	v	v	-0.098	1.21	0.641
138	LTE Band 4	QPSK	20	50	25	Secondary Landscape	0	20300	1745	16.50	v	-	-0.037	0.659	0.311
139	LTE Band 4	QPSK	20	1	0	Secondary Landscape	0	20300	1745	16.74	v	-	-0.032	0.67	0.315
140	LTE Band 4	QPSK	20	1	99	Secondary Landscape	0	20300	1745	16.53	v	-	0.069	0.559	0.265
141	LTE Band 4	16QAM	20	50	25	Bottom Face	0	20300	1745	16.50	v	v	-0.168	1.41	0.739
142	LTE Band 4	16QAM	20	1	0	Bottom Face	0	20300	1745	16.74	v	v	-0.001	1.31	0.701
143	LTE Band 4	16QAM	20	1	99	Bottom Face	0	20300	1745	16.53	v	v	-0.115	1.32	0.69
144	LTE Band 4	16QAM	20	50	25	Secondary Landscape	0	20300	1745	16.50	v	-	0.078	0.656	0.309
145	LTE Band 4	16QAM	20	1	0	Secondary Landscape	0	20300	1745	16.74	v	-	-0.110	0.521	0.246
146	LTE Band 4	16QAM	20	1	99	Secondary Landscape	0	20300	1745	16.53	v	-	-0.029	0.573	0.269



Note:

1. Per KDB 941225 D05, for LTE, if the smaller bandwidth output power is within +/- 0.5dB of the largest bandwidth, and the maximum SAR of the largest bandwidth is < 1.45 W/kg, SAR for smaller bandwidth can be excluded. Therefore LTE 5MHz bandwidth SAR tests are excluded.
2. Per KDB 941225 D05, for LTE, if 50%-RB QPSK/16QAM SAR < 1.45 W/kg, 100%-RB SAR can be excluded.
3. During proximity sensor activated and power reduction enabled, the LTE output is reduced to certain level, while MPR for different RB configurations is disabled. Therefore the MPR levels are not applicable.
4. If the highest output channel SAR for each exposure position is ≤ 0.8 W/kg, other channels SAR tests are not necessary referring to KDB 941225 D05.
5. 1 cm and 0.75 cm test results are for confirming operation of the power reduction scheme, and are not applicable for compliance demonstration for the FCC tablet PC SAR test procedures.
6. "V" in the earphone column means the earphone is plugged during SAR testing.

<WiFi SAR>

Plot No.	Band	Mode	Test Position	Gap (cm)	Ch.	Freq. (MHz)	Output Power (dBm)	Power Back-off	Ear-phone	Power Drift (dB)	SAR <sub>1g</sub> (W/kg)	SAR <sub>10g</sub> (W/kg)
101	WiFi 2.4G	802.11b	Bottom Face	0	11	2462	17.49	N/A	v	0.12	1.03	0.512
102	WiFi 2.4G	802.11b	Secondary Landscape	0	11	2462	17.49	N/A	-	0.019	0.659	0.304
103	WiFi 2.4G	802.11b	Secondary Portrait	0	11	2462	17.49	N/A	v	0.074	0.112	0.046
104	WiFi 2.4G	802.11b	Bottom Face	0	1	2412	16.87	N/A	v	0.117	1.03	0.506
105	WiFi 2.4G	802.11b	Bottom Face	0	6	2437	17.23	N/A	v	0.134	1.12	0.548
106	WiFi 2.4G	802.11b	Secondary Landscape	0.75	11	2462	17.49	N/A	-	0.003	0.219	0.116
107	WiFi 5.2G	802.11a	Bottom Face	0	48	5240	13.70	N/A	v	0.11	0.57	0.158
108	WiFi 5.2G	802.11a	Primary Portrait	0	48	5240	13.70	N/A	v	-0.148	0.775	0.179
109	WiFi 5.2G	802.11a	Primary Landscape	0	48	5240	13.70	N/A	v	-0.12	0.096	0.028
147	WiFi 5.3G	802.11a	Bottom Face	0	64	5320	14.11	N/A	v	-0.10	0.844	0.235
148	WiFi 5.3G	802.11a	Primary Portrait	0	64	5320	14.11	N/A	v	0.157	1.29	0.309
149	WiFi 5.3G	802.11a	Primary Landscape	0	64	5320	14.11	N/A	v	-0.141	0.252	0.076
150	WiFi 5.3G	802.11a	Bottom Face	0	52	5260	13.57	N/A	v	0.000	0.958	0.292
151	WiFi 5.3G	802.11a	Primary Portrait	0	52	5260	13.57	N/A	v	0.105	1.4	0.332
152	WiFi 5.5G	802.11a	Bottom Face	0	104	5520	13.76	N/A	v	0.000	0.528	0.154
153	WiFi 5.5G	802.11a	Primary Portrait	0	104	5520	13.76	N/A	v	-0.114	0.835	0.191
154	WiFi 5.5G	802.11a	Primary Landscape	0	104	5520	13.76	N/A	v	0.011	0.18	0.052
155	WiFi 5.5G	802.11a	Primary Portrait	0	116	5580	13.40	N/A	v	0.178	0.766	0.177
157	WiFi 5.5G	802.11a	Primary Portrait	0	136	5680	13.36	N/A	v	-0.162	0.665	0.15
110	WiFi 5.8G	802.11a	Bottom Face	0	149	5745	12.81	N/A	v	0.012	0.467	0.158
111	WiFi 5.8G	802.11a	Primary Portrait	0	149	5745	12.81	N/A	v	0.051	0.651	0.148
112	WiFi 5.8G	802.11a	Primary Landscape	0	149	5745	12.81	N/A	v	0.11	0.191	0.055

Note:

1. Per KDB 447498, if the highest output channel SAR for each exposure position ≤ 0.8 W/kg other channels SAR tests are not necessary.
2. "V" in the earphone column means the earphone is plugged during SAR testing.

**12.2 Simultaneous Transmission SAR Analysis**

No.	Applicable Simultaneous Transmission Combination
1	UMTS + BT
2	LTE + BT
3	UMTS + WiFi 2.4G + BT
4	LTE + WiFi2.4G + BT
5	UMTS + WiFi 5G
6	LTE + WiFi 5G
7	WiFi 2.4G + BT

**Note:**

1. The LTE and UMTS share the same WWAN transmitting antenna, and LTE will not transmit simultaneously with UMTS.
2. The WiFi 5G and Bluetooth share the same WiFi 5G/BT transmitting antenna.
3. DUT will choose either WiFi 2.4G or WiFi 5G according to the network signal condition, therefore, WiFi 2.4G will not transmit simultaneously with WiFi 5G.
4. Bluetooth stand-alone SAR tests are not required and are considered zero in the 1-g SAR summation.
5. When stand-alone 1-g SAR is not required for a transmitter or antenna, its SAR is considered zero in the 1-g SAR summing process to determine simultaneous transmission SAR evaluation requirements.

**Refer to Exposure Positions Consideration in section 11.2**

Sides for stand-alone SAR tests; Tablet mode							
Antenna	Mode	Bottom Face	Front Face	Secondary Landscape	Primary Landscape	Secondary Portrait	Primary Portrait
WWAN Main Ant.	UMTS	✓ (0, 10mm)	X	✓ (0, 7.5mm)	X	X	✓ (0mm)
	LTE						
WiFi 2.4G	WiFi 2.4G	✓ (0mm)	X	✓ (0mm)	X	✓ (0mm)	X
WiFi 5G	WiFi 5G	✓ (0mm)	X	X	✓ (0mm)	X	✓ (0mm)
	Bluetooth						



<Test distance 0 mm to the phantom>  
 Summation table of the measured SAR

Position	WWAN (W/kg)		WiFi 2.4G (W/kg)	WiFi 5G (W/kg)	Max. SAR Summation (W/kg)
Bottom Face	LTE Band 17	1.43	1.12		2.55
	LTE Band 4	1.41	1.12		2.53
	WCDMA V	1.3	1.12		2.42
	WCDMA II	1.15	1.12		2.27
	LTE Band 17	1.43		0.958	2.39
	LTE Band 4	1.41		0.958	2.37
	WCDMA V	1.3		0.958	2.26
	WCDMA II	1.15		0.958	2.11
Secondary Landscape	LTE Band 17	0.491	0.659		1.15
	LTE Band 4	0.67	0.659		1.33
	WCDMA V	0.749	0.659		1.41
	WCDMA II	0.581	0.659		1.24
	LTE Band 17	0.491		0	0.49
	LTE Band 4	0.67		0	0.67
	WCDMA V	0.749		0	0.75
	WCDMA II	0.581		0	0.58
Primary Portrait	LTE Band 17	0.069	0		0.07
	LTE Band 4	0.143	0		0.14
	WCDMA V	0.115	0		0.12
	WCDMA II	0.127	0		0.13
	LTE Band 17	0.069		1.4	1.47
	LTE Band 4	0.143		1.4	1.54
	WCDMA V	0.115		1.4	1.52
	WCDMA II	0.127		1.4	1.53
Primary Landscape	LTE Band 17	0		0.252	0.25
	LTE Band 4	0		0.252	0.25
	WCDMA V	0		0.252	0.25
	WCDMA II	0		0.252	0.25
Secondary Portrait	LTE Band 17	0	0.112		0.11
	LTE Band 4	0	0.112		0.11
	WCDMA V	0	0.112		0.11
	WCDMA II	0	0.112		0.11



<Test distance 0 mm to the phantom>

Summation of the scaled SAR

Position	WWAN (W/kg)	Output Power (dBm)	Max. Tolerance Power (dBm)	WWAN Scaling Factor	Scaled WWAN (W/kg)	WiFi 2.4G (W/kg)	WiFi 5G (W/kg)	Max. SAR Summation (W/kg)
Bottom Face	LTE Band 17	1.43	18.64	19.00	1.086	1.554	1.12	2.67
	LTE Band 4	1.41	16.50	17.00	1.122	1.582	1.12	2.70
	WCDMA V	1.3	19.36	20.00	1.159	1.506	1.12	2.63
	WCDMA II	1.15	17.92	18.50	1.143	1.314	1.12	2.43
	LTE Band 17	1.43	18.64	19.00	1.086	1.554	0.958	2.51
	LTE Band 4	1.41	16.50	17.00	1.122	1.582	0.958	2.54
	WCDMA V	1.3	19.36	20.00	1.159	1.506	0.958	2.46
	WCDMA II	1.15	17.92	18.50	1.143	1.314	0.958	2.27
Secondary Landscape	LTE Band 17	0.491	18.53	19.00	1.114	0.547	0.659	1.21
	LTE Band 4	0.67	16.74	17.00	1.062	0.711	0.659	1.37
	WCDMA V	0.749	19.36	20.00	1.159	0.868	0.659	1.53
	WCDMA II	0.581	17.79	18.50	1.178	0.684	0.659	1.34
	LTE Band 17	0.491	18.53	19.00	1.114	0.547	0	0.55
	LTE Band 4	0.67	16.74	17.00	1.062	0.711	0	0.71
	WCDMA V	0.749	19.36	20.00	1.159	0.868	0	0.87
	WCDMA II	0.581	17.79	18.50	1.178	0.684	0	0.68
Primary Portrait	LTE Band 17	0.069	22.95	23.50	1.135	0.078	0	0.08
	LTE Band 4	0.143	23.71	24.50	1.199	0.172	0	0.17
	WCDMA V	0.115	24.08	24.50	1.102	0.127	0	0.13
	WCDMA II	0.127	22.87	23.50	1.156	0.147	0	0.15
	LTE Band 17	0.069	22.95	23.50	1.135	0.078	1.4	1.48
	LTE Band 4	0.143	23.71	24.50	1.199	0.172	1.4	1.57
	WCDMA V	0.115	24.08	24.50	1.102	0.127	1.4	1.53
	WCDMA II	0.127	22.87	23.50	1.156	0.147	1.4	1.55
Primary Landscape	LTE Band 17	0	-	-	-	-	0.252	0.25
	LTE Band 4	0	-	-	-	-	0.252	0.25
	WCDMA V	0	-	-	-	-	0.252	0.25
	WCDMA II	0	-	-	-	-	0.252	0.25
Secondary Portrait	LTE Band 17	0	-	-	-	0.112	-	0.11
	LTE Band 4	0	-	-	-	0.112	-	0.11
	WCDMA V	0	-	-	-	0.112	-	0.11
	WCDMA II	0	-	-	-	0.112	-	0.11

**Note:** The WWAN scaling factor is calculated according to the difference between measured output power and maximum tolerance power on this device.

<Test distance 10 mm to the phantom>

**Summation table of the measured SAR**

Position	WWAN (W/kg)		WiFi 2.4G (W/kg)	WiFi 5G (W/kg)	Max. SAR Summation (W/kg)
Bottom Face	LTE Band 17	0.727	1.12		<b>1.85</b>
	LTE Band 4	1.21	1.12		<b>2.33</b>
	WCDMA V	0.744	1.12		<b>1.86</b>
	WCDMA II	0.58	1.12		<b>1.7</b>
	LTE Band 17	0.727		0.958	<b>1.69</b>
	LTE Band 4	1.21		0.958	<b>2.17</b>
	WCDMA V	0.744		0.958	<b>1.7</b>
	WCDMA II	0.58		0.958	<b>1.54</b>

**Summation of the scaled SAR**

Position	WWAN (W/kg)	Output Power (dBm)	Max. Tolerance Power (dBm)	WWAN Scaling Factor	Scaled WWAN (W/kg)	WiFi 2.4G (W/kg)	WiFi 5G (W/kg)	Max. SAR Summation (W/kg)	
Bottom Face	LTE Band 17	0.727	22.95	23.50	1.135	0.825	1.12	<b>1.95</b>	
	LTE Band 4	1.21	23.71	24.50	1.199	1.451	1.12	<b>2.57</b>	
	WCDMA V	0.744	24.08	24.50	1.102	0.820	1.12	<b>1.94</b>	
	WCDMA II	0.58	22.87	23.50	1.156	0.671	1.12	<b>1.79</b>	
	LTE Band 17	0.727	22.95	23.50	1.135	0.825		0.958	<b>1.78</b>
	LTE Band 4	1.21	23.71	24.50	1.199	1.451		0.958	<b>2.41</b>
	WCDMA V	0.744	24.08	24.50	1.102	0.820		0.958	<b>1.78</b>
	WCDMA II	0.58	22.87	23.50	1.156	0.671		0.958	<b>1.63</b>

**Note:**

1. WLAN SAR data at 0mm is applied here, and it will represent more conservative situation than WLAN SAR data at 7.5mm and 10mm.
2. If 1g-SAR scalar summation < 1.6W/kg, simultaneous SAR measurement is not necessary.
3. If 1g-SAR summation >1.6W/kg, SPLSR calculation is necessary.
4. The WWAN scaling factor is calculated according to the difference between measured output power and maximum tolerance power on this device.





<Test distance 7.5 mm to the phantom>

Summation table of the measured SAR

Position	WWAN (W/kg)		WiFi 2.4G (W/kg)	WiFi 5G (W/kg)	Max. SAR Summation (W/kg)
Secondary Landscape	LTE Band 17	0.706	0.219		<b>0.93</b>
	LTE Band 4	0.847	0.219		<b>1.07</b>
	WCDMA V	0.574	0.219		<b>0.79</b>
	WCDMA II	0.807	0.219		<b>1.03</b>
	LTE Band 17	0.706		0	<b>0.71</b>
	LTE Band 4	0.847		0	<b>0.85</b>
	WCDMA V	0.574		0	<b>0.57</b>
	WCDMA II	0.807		0	<b>0.81</b>

Summation of the scaled SAR

Position	WWAN (W/kg)		Output Power (dBm)	Max. Tolerance Power (dBm)	WWAN Scaling Factor	Scaled WWAN (W/kg)	WiFi 2.4G (W/kg)	WiFi 5G (W/kg)	Max. SAR Summation (W/kg)
Secondary Landscape	LTE Band 17	0.706	22.95	23.50	1.135	0.801	0.219		<b>1.02</b>
	LTE Band 4	0.847	23.71	24.50	1.199	1.016	0.219		<b>1.23</b>
	WCDMA V	0.574	24.08	24.50	1.102	0.632	0.219		<b>0.85</b>
	WCDMA II	0.807	22.87	23.50	1.156	0.933	0.219		<b>1.15</b>
	LTE Band 17	0.706	22.95	23.50	1.135	0.801		0	<b>0.80</b>
	LTE Band 4	0.847	23.71	24.50	1.199	1.016		0	<b>1.02</b>
	WCDMA V	0.574	24.08	24.50	1.102	0.632		0	<b>0.63</b>
	WCDMA II	0.807	22.87	23.50	1.156	0.933		0	<b>0.93</b>

Note:

1. WLAN SAR data at 7.5mm is applied here.
2. If 1g-SAR scalar summation < 1.6W/kg, simultaneous SAR measurement is not necessary.
3. If 1g-SAR summation >1.6W/kg, SPLSR calculation is necessary.
4. The WWAN scaling factor is calculated according to the difference between measured output power and maximum tolerance power on this device.





**12.3 Simultaneous analysis - SPLSR calculation**

Plot No	Band	Position	Scaled SAR (W/kg)	Gap (cm)	SAR peak location (m)			3D distance (cm)	Pair SAR sum (W/kg)	SPLSR	Simultaneous SAR
					X	Y	Z				
74	LTE Band17	Bottom Face	1.554	0	0.059	0.039	-0.178	9.5	2.67	0.28	Not required
105	WiFi 2.4G		1.120	0	0.0561	-0.056	-0.175				
141	LTE Band4	Bottom Face	1.582	0	0.053	0.047	-0.175	10.3	2.70	0.26	Not required
105	WiFi 2.4G		1.120	0	0.0561	-0.056	-0.175				
03	WCDMA V	Bottom Face	1.506	0	0.059	0.037	-0.179	9.3	2.63	0.28	Not required
105	WiFi 2.4G		1.120	0	0.0561	-0.056	-0.175				
15	WCDMA II	Bottom Face	1.314	0	0.051	0.043	-0.173	9.9	2.43	0.25	Not required
105	WiFi 2.4G		1.120	0	0.0561	-0.056	-0.175				
74	LTE Band17	Bottom Face	1.554	0	0.059	0.039	-0.178	11.7	2.51	0.21	Not required
150	WiFi 5G		0.958	0	-0.047	0.089	-0.178				
141	LTE Band4	Bottom Face	1.582	0	0.053	0.047	-0.175	10.9	2.54	0.23	Not required
150	WiFi 5G		0.958	0	-0.047	0.089	-0.178				
03	WCDMA V	Bottom Face	1.506	0	0.059	0.037	-0.179	11.8	2.46	0.21	Not required
150	WiFi 5G		0.958	0	-0.047	0.089	-0.178				
15	WCDMA II	Bottom Face	1.314	0	0.051	0.043	-0.173	10.8	2.27	0.21	Not required
150	WiFi 5G		0.958	0	-0.047	0.089	-0.178				



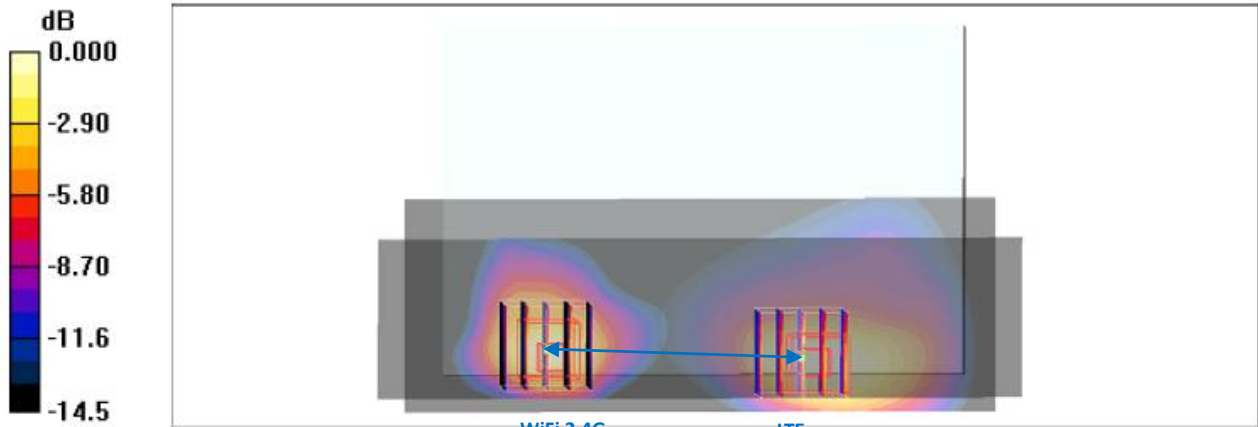
Plot No	Band	Position	Scaled SAR (W/kg)	Gap (cm)	SAR peak location (m)			3D distance (cm)	Pair SAR sum (W/kg)	SPLSR	Simultaneous SAR
					X	Y	Z				
53	LTE Band17	Bottom Face	0.825	1	0.061	0.059	-0.179	11.5	1.95	0.17	Not required
105	WiFi 2.4G		1.120	0	0.0561	-0.056	-0.175				
117	LTE Band4	Bottom Face	1.451	1	0.047	0.057	-0.175	11.3	2.57	0.23	Not required
105	WiFi 2.4G		1.120	0	0.0561	-0.056	-0.175				
01	WCDMA V	Bottom Face	0.820	1	0.067	0.053	-0.18	11.0	1.94	0.18	Not required
105	WiFi 2.4G		1.120	0	0.0561	-0.056	-0.175				
08	WCDMA II	Bottom Face	0.671	1	0.051	0.047	-0.173	10.3	1.79	0.17	Not required
105	WiFi 2.4G		1.120	0	0.0561	-0.056	-0.175				
53	LTE Band17	Bottom Face	0.825	1	0.061	0.059	-0.179	11.2	1.78	0.16	Not required
150	WiFi 5G		0.958	0	-0.047	0.089	-0.178				
117	LTE Band4	Bottom Face	1.451	1	0.047	0.057	-0.175	9.9	2.41	0.24	Not required
150	WiFi 5G		0.958	0	-0.047	0.089	-0.178				
01	WCDMA V	Bottom Face	0.820	1	0.067	0.053	-0.18	12.0	1.78	0.15	Not required
150	WiFi 5G		0.958	0	-0.047	0.089	-0.178				
08	WCDMA II	Bottom Face	0.671	1	0.051	0.047	-0.173	10.3	1.63	0.16	Not required
150	WiFi 5G		0.958	0	0.0561	-0.056	-0.175				

**Note:**

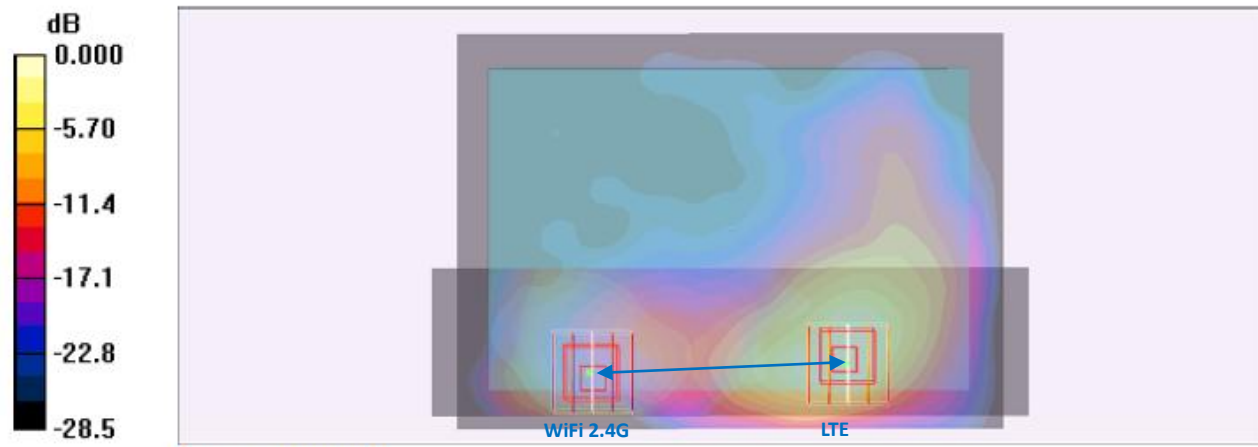
1. WLAN SAR data at 0mm is applied here, and it will represent more conservative situation than WLAN SAR data at 7.5mm and 10mm.
2. Per KDB 447498, if SPLSR < 0.3, volume scan is not necessary.

<The peak location is shown in the overlapped SAR plots>

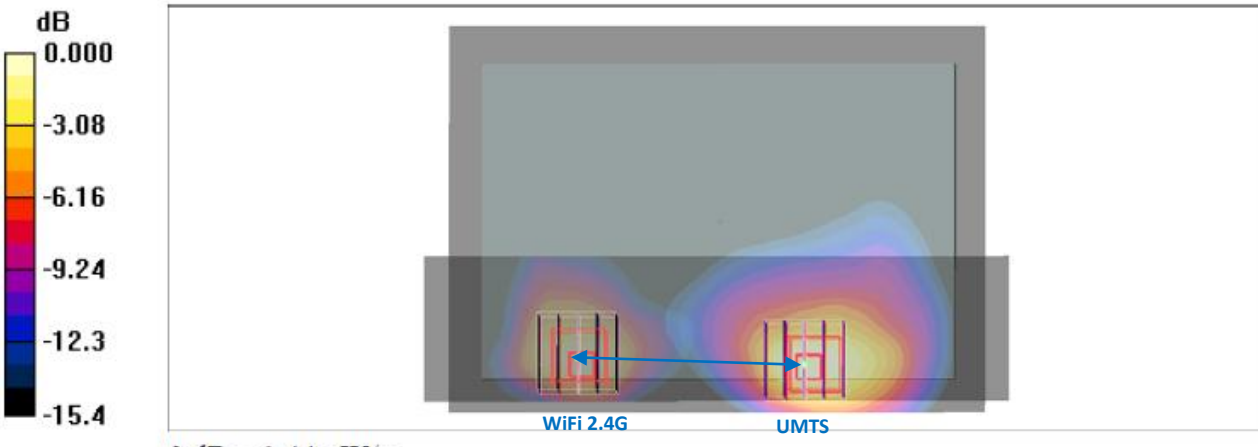
Body – Bottom Face: #74 LTE Band 17, 10M CH23780, 0cm + #105 WiFi 2.4G CH6, 0cm



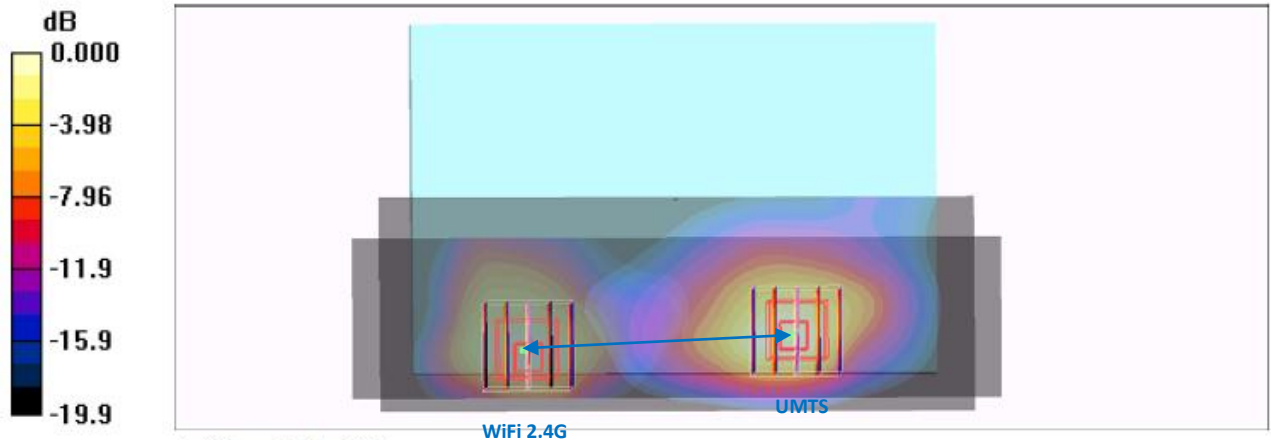
Body – Bottom Face: #141 LTE Band 4, 20M CH20300, 0cm + #105 WiFi 2.4G CH6, 0cm



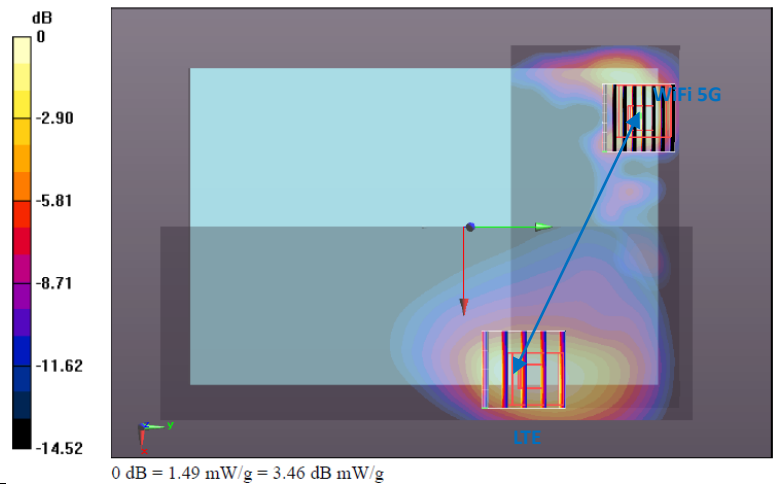
Body – Bottom Face: #03 UMTS V, CH4132, 0cm + #105 WiFi 2.4G CH6, 0cm



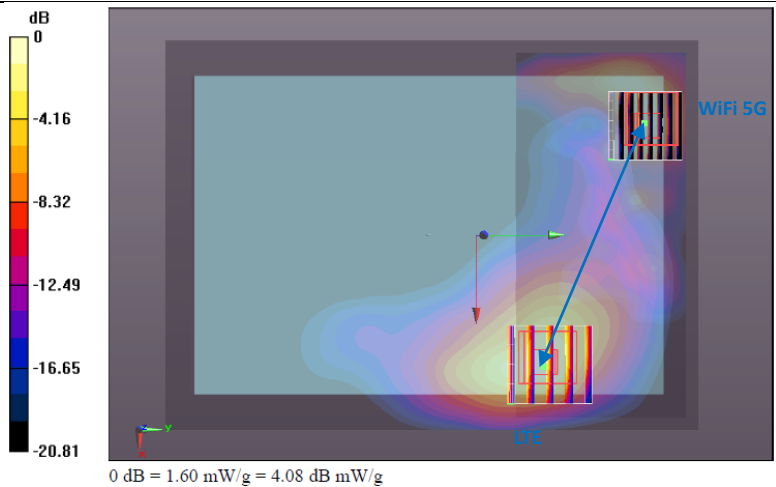
Body – Bottom Face: #15 UMTS II, CH9262, 0cm + #105 WiFi 2.4G CH6, 0cm

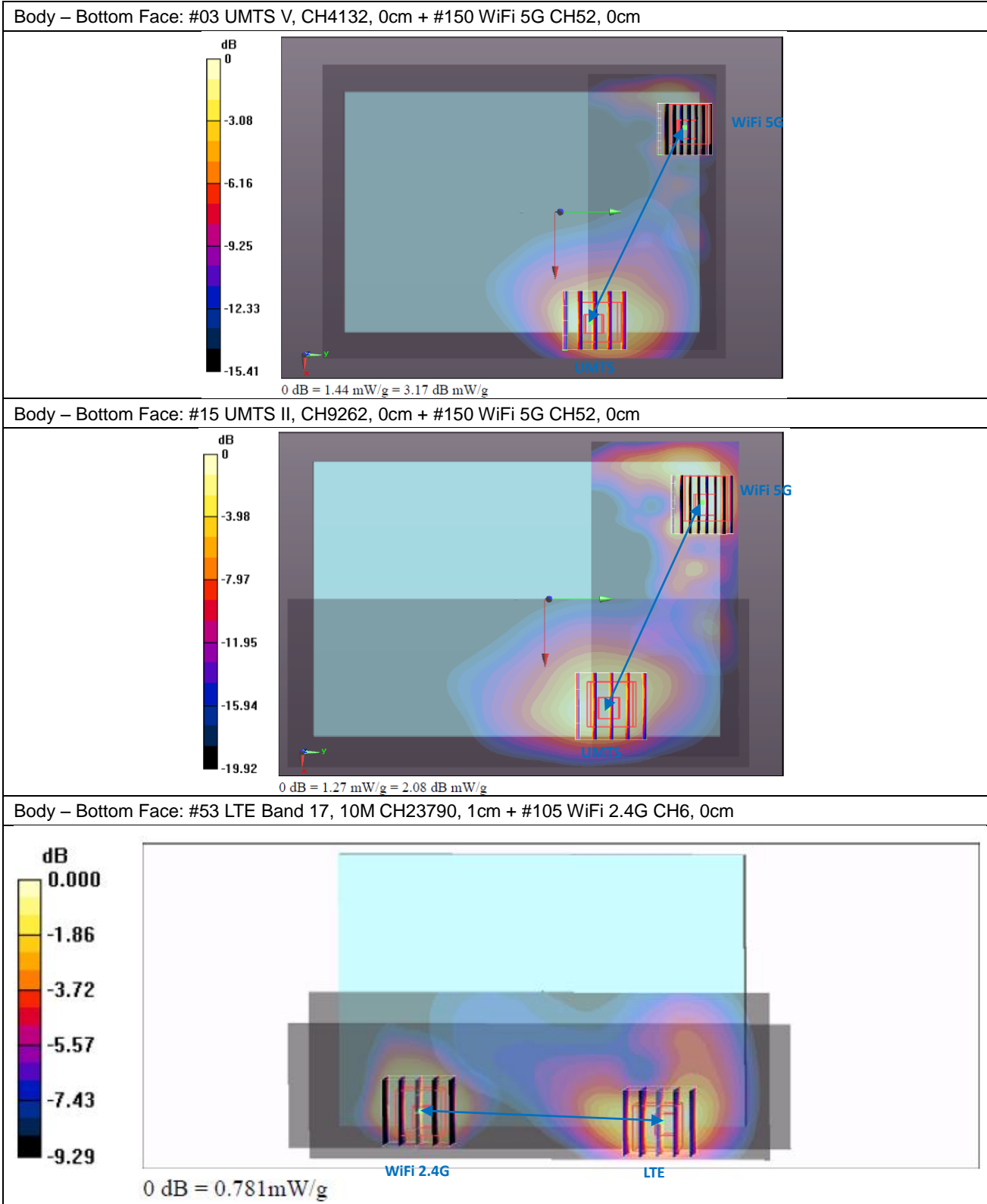


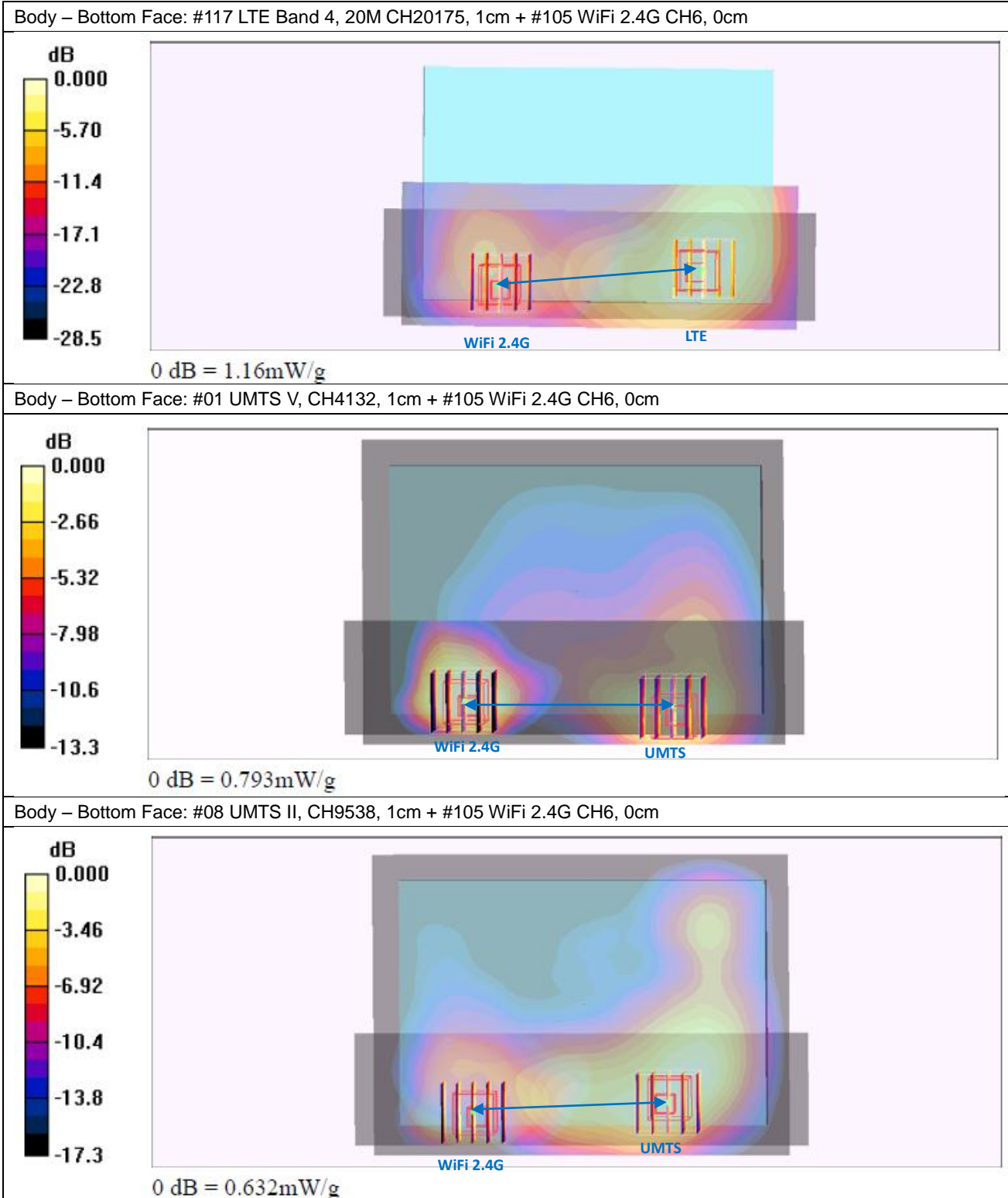
Body – Bottom Face: #74 LTE Band 17, 10M CH23780, 0cm + #150 WiFi 5G CH52, 0cm

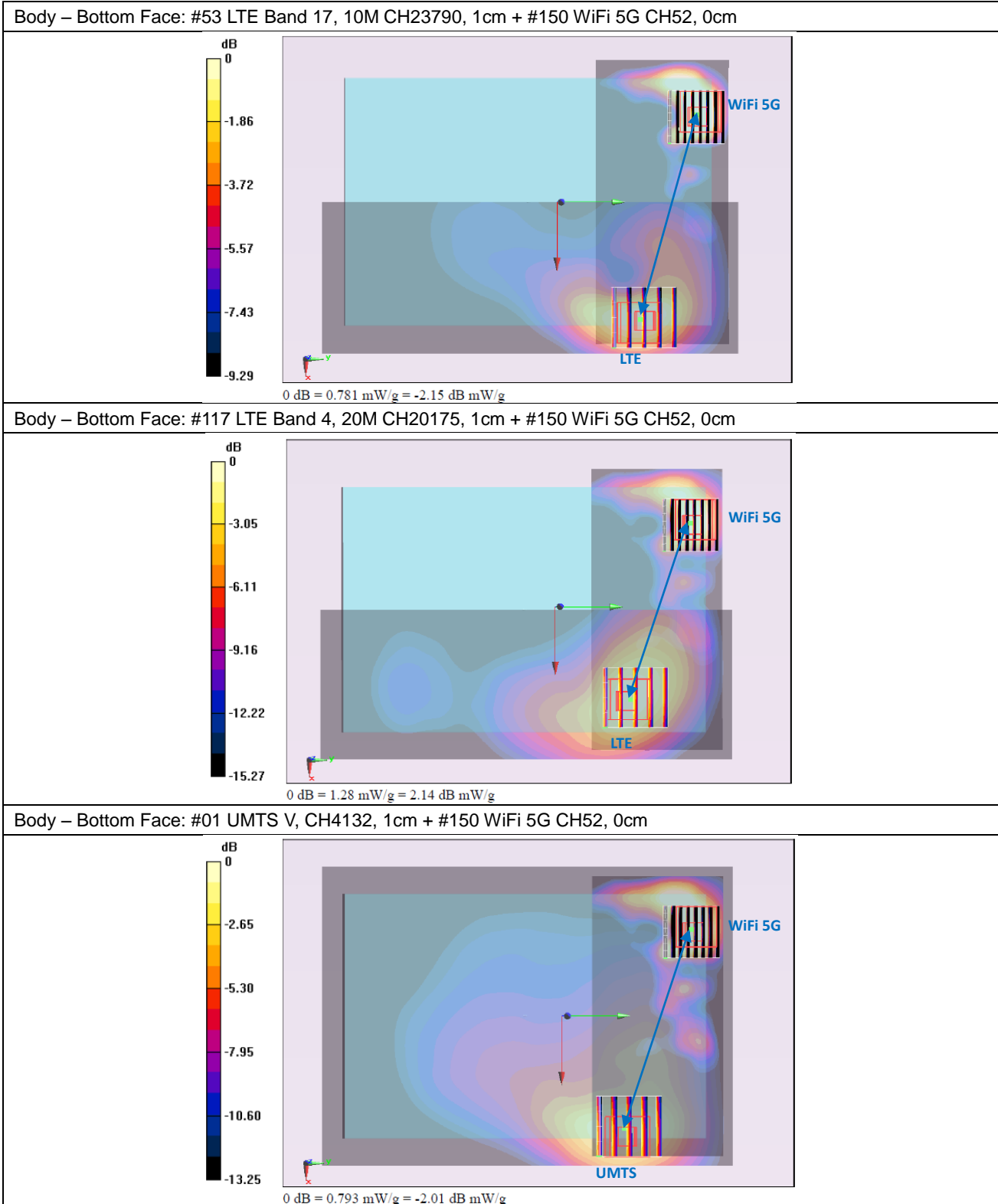


Body – Bottom Face: #141 LTE Band 4,20M CH20300, 0cm + #150 WiFi 5G CH52, 0cm

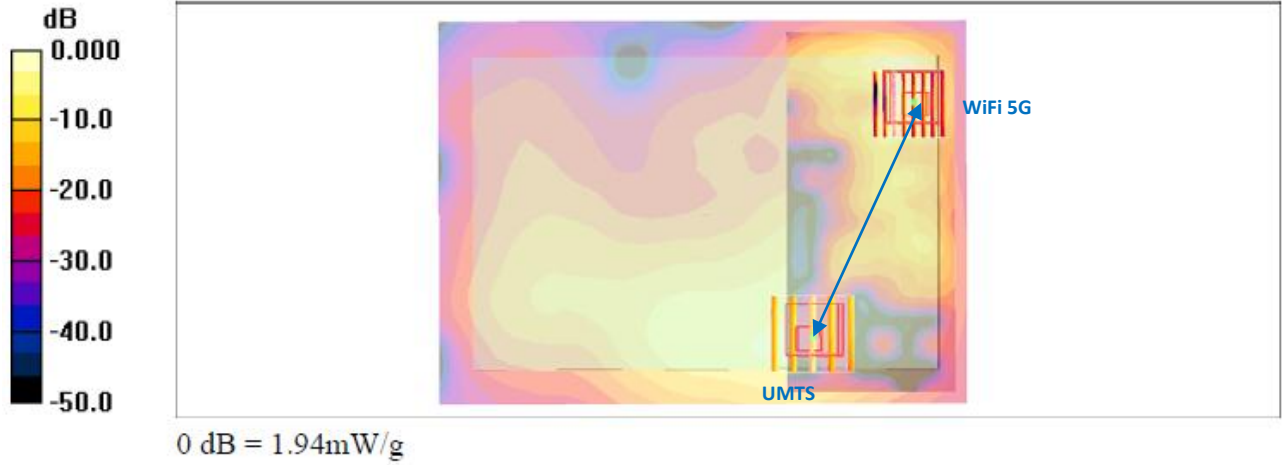








Body – Bottom Face: #08 UMTS II, CH9538, 1cm + #150 WiFi 5G CH52, 0cm







### **13. References**

- [1] FCC 47 CFR Part 2 “Frequency Allocations and Radio Treaty Matters; General Rules and Regulations”
- [2] ANSI/IEEE Std. C95.1-1992, “IEEE Standard for Safety Levels with Respect to Human Exposure to Radio Frequency Electromagnetic Fields, 3 kHz to 300 GHz”, September 1992
- [3] IEEE Std. 1528-2003, “Recommended Practice for Determining the Peak Spatial-Average Specific Absorption Rate (SAR) in the Human Head from Wireless Communications Devices: Measurement Techniques”, December 2003
- [4] FCC OET Bulletin 65 (Edition 97-01) Supplement C (Edition 01-01), “Evaluating Compliance with FCC Guidelines for Human Exposure to Radiofrequency Electromagnetic Fields”, June 2001
- [5] Speag, DASY System Handbook
- [6] FCC KDB 248227 D01 v01r02, “SAR Measurement Procedures for 802.11 a/b/g Transmitters”, May 2007
- [7] FCC KDB 447498 D01 v04, “Mobile and Portable Device RF Exposure Procedures and Equipment Authorization Policies”, November 2009
- [8] FCC KDB 616217 D03 v01, “SAR Evaluation Considerations for Laptop/Notebook/Netbook and Tablet Computers”, November 2009
- [9] FCC KDB 941225 D01 v02, “SAR Measurement Procedures for 3G Devices – CDMA 2000 / Ev-Do / WCDMA / HSDPA / HSPA”, October 2007
- [10] FCC KDB 941225 D05 v01, “SAR Test Considerations for LTE Handsets and Data Modems”, December 2010
- [11] FCC KDB 941225 D07 01, "SAR Evaluation Procedure for UMPC Mini-Tablet Devices", April 2011
- [12] Speag, TN\_110209\_DASY\_Calculate\_Hotspot\_Distance, 2011



## **Appendix A. Plots of System Performance Check**

The plots are shown as follows.



## ***Appendix B. Plots of SAR Measurement***

The plots are shown as follows.



## **Appendix C. DASYS Calibration Certificate**

The DASYS calibration certificates are shown as follows.