

## TEST REPORT

Test Report No.: 1-3851/11-01-31



**Testing Laboratory**

**CETECOM ICT Services GmbH**  
 Untertürkheimer Straße 6 – 10  
 66117 Saarbrücken/Germany  
 Phone: + 49 681 5 98 - 0  
 Fax: + 49 681 5 98 - 9075  
 Internet: <http://www.cetecom.com>  
 e-mail: [ict@cetecom.com](mailto:ict@cetecom.com)

**Accredited Test Laboratory:**  
 The testing laboratory (area of testing) is accredited according to DIN EN ISO/IEC 17025 (2005) by the Deutsche Akkreditierungsstelle GmbH (DAkkS)  
 The accreditation is valid for the scope of testing procedures as stated in the accreditation certificate with the registration number: D-PL-12076-01-01

**Applicant**

**Research In Motion Limited**  
 295 Phillip Street  
 Waterloo, ON N2L 3W8/CANADA

Phone: +1 51 98 88 74 65

Contact: Masud Attayi  
 e-mail: [mattayi@rim.com](mailto:mattayi@rim.com)  
 Phone: +1 51 98 88 74 65  
 Fax: +1 51 98 88 69 06

**Manufacturer**

**Research In Motion Limited**  
 305 Phillip Street  
 Waterloo, ON N2L 3W8/CANADA

**Test Standard/s**

EN 62209-2	Human Exposure to Radio Frequency Fields from Handheld and Body-Mounted Wireless Communication Devices - Human models, Instrumentation, and Procedures - Part 2: Procedure to determine the specific absorption rate (SAR) for mobile wireless communication devices used in close proximity to the human body (frequency range of 30 MHz to 6 GHz)
1999/519/EC	Council Recommendation 1999/519/EC of 12 July 1999 on the limitation of exposure of the general public to electromagnetic fields (0 Hz to 300 GHz) (Official Journal L 197 of 30 July 1999)

For further applied test standards please refer to section 3 of this test report.

**Test Item**

Device description:	BlackBerry Smartphone
Device type:	portable device
<b>Model name:</b>	<b>REC71UW</b>
S/N serial number:	N/A
IMEI-Number:	004402241218688
Hardware status:	Rev 3
Software status:	b102 (7.1.0.46)
Frequency:	see technical details
Antenna:	integrated antenna
Battery option:	Li-ion battery 3.7V / 1230mAh
Accessories:	---
Test sample status:	identical prototype
Exposure category:	general population / uncontrolled environment

This test report is electronically signed and valid without handwriting signature. For verification of the electronic signatures, the public keys can be requested at the testing laboratory.

**Test Report authorised:**

**Test performed:**

Thomas Vogler  
 Senior Testing Manager

Oleksandr Hnatovskiy  
 Testing Manager

<b>1</b>	<b>Table of contents</b>	<b>2</b>
1	Table of contents.....	2
2	General information .....	3
2.1	Notes and disclaimer .....	3
2.2	Application details .....	3
2.3	Statement of compliance.....	3
2.4	Technical details.....	4
3	Test standard/s:.....	5
3.1	RF exposure limits .....	5
4	Summary of Measurement Results .....	6
5	Test Environment.....	6
6	Test Set-up.....	7
6.1	Measurement system.....	7
6.1.1	System Description.....	7
6.1.2	Test environment.....	8
6.1.3	Probe description.....	8
6.1.4	Phantom description.....	9
6.1.5	Device holder description .....	9
6.1.6	Scanning procedure .....	10
6.1.7	Spatial Peak SAR Evaluation .....	11
6.1.8	Data Storage and Evaluation.....	12
6.1.9	Tissue simulating liquids: dielectric properties .....	14
6.1.10	Tissue simulating liquids: parameters .....	14
6.1.11	Measurement uncertainty evaluation for SAR test.....	15
6.1.12	Measurement uncertainty evaluation for system validation .....	16
6.1.13	System validation .....	17
6.1.14	Validation procedure.....	18
7	Detailed Test Results .....	19
7.1	Conducted power measurements.....	19
7.1.1	Conducted power measurements GSM 900 MHz.....	19
7.1.2	Conducted power measurements GSM 1800 MHz.....	20
7.1.3	Justification of SAR measurements in GSM mode .....	20
7.1.4	Conducted power measurements WCDMA FDD I (1950 MHz) .....	20
7.1.5	Conducted power measurements WLAN 2.4 GHz.....	20
7.1.6	Mobile hotspot SAR measurement positions .....	21
7.2	SAR test results.....	22
7.2.1	Results overview .....	22
7.2.2	General description of test procedures .....	23
8	Test equipment and ancillaries used for tests.....	24
9	Observations .....	24
Annex A:	System performance verification.....	25
Annex B:	DASY4 measurement results.....	32
Annex B.1:	GSM 900MHz body .....	32
Annex B.2:	GSM 1800MHz body .....	39
Annex B.3:	UMTS WCDMA FDD I 1950MHz body.....	46
Annex B.4:	WLAN 2450MHz body.....	53

**Annex C: Photo documentation .....58**

**Annex D: Document History .....58**

**Annex E: Further Information .....58**

**2 General information**

**2.1 Notes and disclaimer**

The test results of this test report relate exclusively to the test item specified in this test report. CETECOM ICT Services GmbH does not assume responsibility for any conclusions and generalisations drawn from the test results with regard to other specimens or samples of the type of the equipment represented by the test item. The test report may only be reproduced or published in full. Reproduction or publication of extracts from the report requires the prior written approval of CETECOM ICT Services GmbH.

This test report is electronically signed and valid without handwriting signature. For verification of the electronic signatures, the public keys can be requested at the testing laboratory.

The testing service provided by CETECOM ICT Services GmbH has been rendered under the current "General Terms and Conditions for CETECOM ICT Services GmbH".

CETECOM ICT Services GmbH will not be liable for any loss or damage resulting from false, inaccurate, inappropriate or incomplete product information provided by the customer.

Under no circumstances does the CETECOM ICT Services GmbH test report include any endorsement or warranty regarding the functionality, quality or performance of any other product or service provided.

Under no circumstances does the CETECOM ICT Services GmbH test report include or imply any product or service warranties from CETECOM ICT Services GmbH, including, without limitation, any implied warranties of merchantability, fitness for purpose, or non-infringement, all of which are expressly disclaimed by CETECOM ICT Services GmbH.

All rights and remedies regarding vendor's products and services for which CETECOM ICT Services GmbH has prepared this test report shall be provided by the party offering such products or services and not by CETECOM ICT Services GmbH.

In no case this test report can be considered as a Letter of Approval.

**2.2 Application details**

Date of receipt of order:	2011-09-02
Date of receipt of test item:	2011-09-22
Start of test:	2011-09-26
End of test:	2011-10-04
Person(s) present during the test:	

**2.3 Statement of compliance**

The SAR values found for the REC71UW BlackBerry Smartphone are below the maximum recommended levels of 2 W/Kg as averaged over any 10 g tissue according to the EN standards listed in section 3. According to October 2010 TCB Workshop for body worn operation in WLAN hot spot mode this device has been tested with 10 mm distance to the phantom.

## 2.4 Technical details

Band tested for this test report	Technology	Frequency band	Lowest transmit frequency/MHz	Highest transmit frequency/MHz	Lowest receive Frequency/MHz	Highest receive Frequency/MHz	Kind of modulation	Power Class	Tested power control level	GPRS/EGPRS mobile station class	GPRS/EGPRS multislots class	(E)GPRS voice mode or DTM	Test channel low	Test channel middle	Test channel high	Maximum output power/dBm ) *
<input checked="" type="checkbox"/>	GSM	GSM	880.2	914.8	925.2	959.8	GMSK 8-PSK	4 E2	5	B	10	no	975	37	124	33.7
<input checked="" type="checkbox"/>	GSM	DCS	1710.2	1784.8	1805.2	1879.8	GMSK 8-PSK	1 E2	0	B	10	no	512	698	885	30.3
<input type="checkbox"/>	GSM	cellular	824.2	848.8	869.2	893.8	GMSK 8-PSK	4 E2	5	B	10	no	128	190	251	33.4
<input type="checkbox"/>	GSM	PCS	1850.2	1909.8	1930.2	1989.8	GMSK 8-PSK	1 E2	0	B	10	no	512	661	810	30.2
<input checked="" type="checkbox"/>	UMTS	FDD I	1922.4	1977.6	2112.4	2167.6	QPSK	3	max	--	--	--	9612	9750	9888	24.2
<input type="checkbox"/>	UMTS	FDD II	1852.4	1907.6	1982.4	1987.6	QPSK	3	max	--	--	--	9262	9400	9538	23.2
<input type="checkbox"/>	UMTS	FDD V	826.4	846.6	871.4	891.6	QPSK	3	max	--	--	--	4132	4182	4233	24.2
<input checked="" type="checkbox"/>	WLAN	ISM	2412	2472	2412	2472	CCK OFDM	--	max	--	--	--	1	7	13	17.7
<input type="checkbox"/>	WLAN US	ISM	2412	2462	2412	2462	CCK OFDM	--	max	--	--	--	1	6	11	17.7
<input type="checkbox"/>	BT	ISM	2412	2462	2412	2462	GFSK	3	max	--	--	--	0	39	78	8.5

)\*: slotted peak power for GSM, averaged max. RMS power for UMTS, WLAN and BT.

### 3 Test standard/s:

Test Standard	Version	Test Standard Description
EN 62209-2	2010-02	Human Exposure to Radio Frequency Fields from Handheld and Body-Mounted Wireless Communication Devices - Human models, Instrumentation, and Procedures - Part 2: Procedure to determine the specific absorption rate (SAR) for mobile wireless communication devices used in close proximity to the human body (frequency range of 30 MHz to 6 GHz)
1999/519/EC	1999-07	Council Recommendation 1999/519/EC of 12 July 1999 on the limitation of exposure of the general public to electromagnetic fields (0 Hz to 300 GHz) (Official Journal L 197 of 30 July 1999)

In absence of detailed European regulation SAR measurements for body worn operation are in accordance with FCC OET Bulletin 65 Supplement C.

#### 3.1 RF exposure limits

according to the European Council Recommendation 1999/519/EC of 12 July 1999 on the limitation of exposure of the general public to electromagnetic fields (0 Hz to 300 GHz) (Official Journal L 197 of 30 July 1999):

Human Exposure	Uncontrolled Environment General Population
Spatial Peak SAR* (Head and trunk)	<b>2.00 mW/g</b>
Spatial Average SAR** (Whole Body)	0.08 mW/g
Spatial Peak SAR*** (Hands/Feet/Ankle/Wrist)	4.00 mW/g

Table 1: RF exposure limits

The limit applied in this test report is shown in bold letters

#### Notes:

- \* The Spatial Peak value of the SAR averaged over any 10 gram of tissue (defined as a tissue volume in the shape of a cube) and over the appropriate averaging time
- \*\* The Spatial Average value of the SAR averaged over the whole body.
- \*\*\* The Spatial Peak value of the SAR averaged over any 10 grams of tissue (defined as a tissue volume in the shape of a cube) and over the appropriate averaging time.

Uncontrolled Environments are defined as locations where there is the exposure of individuals who have no knowledge or control of their exposure.

Controlled Environments are defined as locations where there is exposure that may be incurred by persons who are aware of the potential for exposure, (i.e. as a result of employment or occupation).

#### 4 Summary of Measurement Results

<input checked="" type="checkbox"/>	<b>No deviations from the technical specifications ascertained</b>	
<input type="checkbox"/>	Deviations from the technical specifications ascertained	
<b>Maximum SAR value measured</b>		<b>1.130 W/kg</b>

#### 5 Test Environment

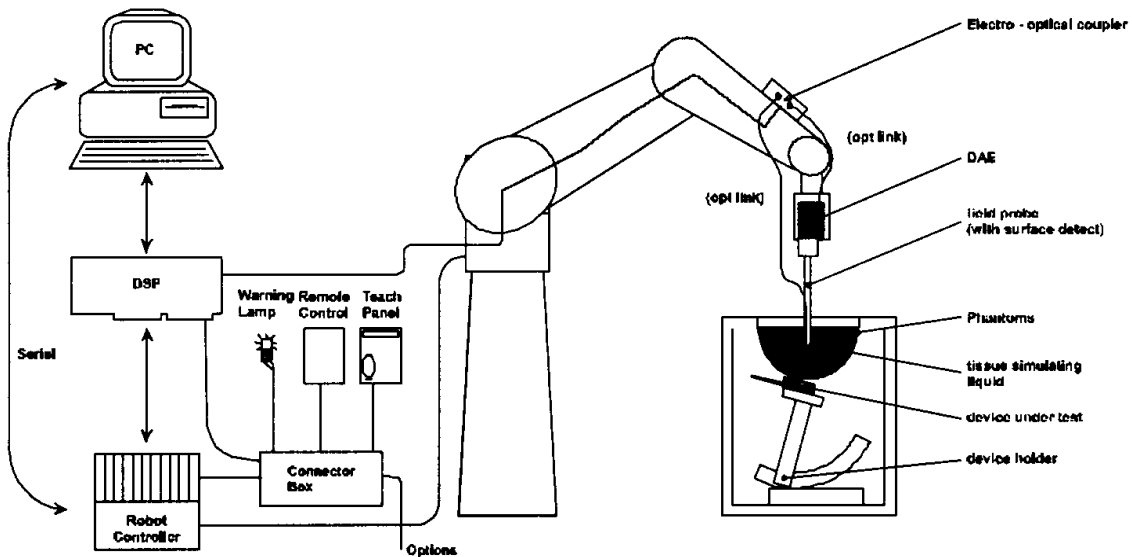
Ambient temperature:	20 – 24 °C
Tissue Simulating liquid:	20 – 24 °C
Relative humidity content:	40 – 50 %
Air pressure:	not relevant for this kind of testing
Power supply:	230 V / 50 Hz

Exact temperature values for each test are shown in the table(s) under 2.5. and/or on the measurement plots.

## 6 Test Set-up

### 6.1 Measurement system

#### 6.1.1 System Description



- The DAS4 system for performing compliance tests consists of the following items:
- A standard high precision 6-axis robot (Stäubli RX family) with controller and software. An arm extension for accommodating the data acquisition electronics (DAE).
- A dosimetric probe, i.e. an isotropic E-field probe optimized and calibrated for usage in tissue simulating liquid. The probe is equipped with an optical surface detector system.
- A data acquisition electronic (DAE) which performs the signal amplification, signal multiplexing, AD-conversion, offset measurements, mechanical surface detection, collision detection, etc. The unit is battery powered with standard or rechargeable batteries. The signal is optically transmitted to the EOC.
- A unit to operate the optical surface detector which is connected to the EOC.
- The Electro-Optical Coupler (EOC) performs the conversion from the optical into a digital electric signal of the DAE. The EOC is connected to the DAS4 measurement server.
- The DAS4 measurement server, which performs all real-time data evaluation for field measurements and surface detection, controls robot movements and handles safety operation. A computer operating Windows 2000
- DAS4 software and SEMCAD data evaluation software.
- Remote control with teach panel and additional circuitry for robot safety such as warning lamps, etc.
- The generic twin phantom enabling the testing of left-hand and right-hand usage.
- The device holder for BlackBerry Smartphone.
- Tissue simulating liquid mixed according to the given recipes.
- System validation dipoles allowing to validate the proper functioning of the system.

### 6.1.2 Test environment

The DASY4 measurement system is placed at the head end of a room with dimensions: 5 x 2.5 x 3 m<sup>3</sup>, the SAM phantom is placed in a distance of 75 cm from the side walls and 1.1m from the rear wall. Above the test system a 1.5 x 1.5 m<sup>2</sup> array of pyramid absorbers is installed to reduce reflections from the ceiling.

Picture 1 of the photo documentation shows a complete view of the test environment.

The system allows the measurement of SAR values larger than 0.005 mW/g.

### 6.1.3 Probe description

Isotropic E-Field Probe ET3DV6 for Dosimetric Measurements

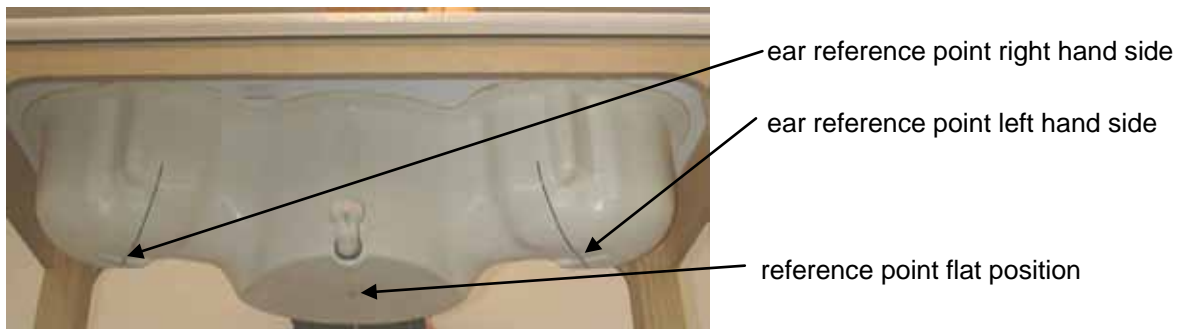
Technical data according to manufacturer information	
Construction	Symmetrical design with triangular core Built-in optical fiber for surface detection system Built-in shielding against static charges PEEK enclosure material (resistant to organic solvents, e.g., glycoether)
Calibration	In air from 10 MHz to 2.5 GHz In head tissue simulating liquid (HSL) at 900 (800-1000) MHz and 1.8 GHz (1700-1910 MHz) (accuracy $\pm 9.5\%$ ; $k=2$ ) Calibration for other liquids and frequencies upon request
Frequency	10 MHz to 3 GHz (dosimetry); Linearity: $\pm 0.2$ dB (30 MHz to 3 GHz)
Directivity	$\pm 0.2$ dB in HSL (rotation around probe axis) $\pm 0.4$ dB in HSL (rotation normal to probe axis)
Dynamic range	5 $\mu$ W/g to > 100 mW/g; Linearity: $\pm 0.2$ dB
Optical Surface Detection	$\pm 0.2$ mm repeatability in air and clear liquids over diffuse reflecting surfaces (ET3DV6 only)
Dimensions	Overall length: 330 mm Tip length: 16 mm Body diameter: 12 mm Tip diameter: 6.8 mm Distance from probe tip to dipole centers: 2.7 mm
Application	General dosimetry up to 3 GHz Compliance tests of BlackBerry Smartphone Fast automatic scanning in arbitrary phantoms (ET3DV6)



#### 6.1.4 Phantom description

The used SAM Phantom meets the requirements specified in Edition 01-01 of Supplement C to OET Bulletin 65 for Specific Absorption Rate (SAR) measurements.

The phantom consists of a fibreglass shell integrated in a wooden table. It allows left-hand and right-hand head as well as body-worn measurements with a maximum liquid depth of 18 cm in head position and 22 cm in planar position (body measurements). The thickness of the Phantom shell is 2 mm +/- 0.1 mm.



#### 6.1.5 Device holder description

The DASY4 device holder has two scales for device rotation (with respect to the body axis) and the device inclination (with respect to the line between the ear openings). The plane between the ear openings and the mouth tip has a rotation angle of 65°. The bottom plate contains three pair of bolts for locking the device holder. The device holder positions are adjusted to the standard measurement positions in the three sections. This device holder is used for standard mobile phones or PDA's only. If necessary an additional support of polystyrene material is used.



Larger DUT's (e.g. notebooks) cannot be tested using this device holder. Instead a support of bigger polystyrene cubes and thin polystyrene plates is used to position the DUT in all relevant positions to find and measure spots with maximum SAR values.

Therefore those devices are normally only tested at the flat part of the SAM.

### 6.1.6 Scanning procedure

- The DASY4 installation includes predefined files with recommended procedures for measurements and validation. They are read-only document files and destined as fully defined but unmeasured masks. All test positions (head or body-worn) are tested with the same configuration of test steps differing only in the grid definition for the different test positions.
- The „reference“ and „drift“ measurements are located at the beginning and end of the batch process. They measure the field drift at one single point in the liquid over the complete procedure. The indicated drift is mainly the variation of the DUT's output power and should vary max. +/- 5 %.
- The „surface check“ measurement tests the optical surface detection system of the DASY4 system by repeatedly detecting the surface with the optical and mechanical surface detector and comparing the results. The output gives the detecting heights of both systems, the difference between the two systems and the standard deviation of the detection repeatability. Air bubbles or refraction in the liquid due to separation of the sugar-water mixture gives poor repeatability (above  $\pm 0.1\text{mm}$ ). To prevent wrong results tests are only executed when the liquid is free of air bubbles. The difference between the optical surface detection and the actual surface depends on the probe and is specified with each probe. (It does not depend on the surface reflectivity or the probe angle to the surface within  $\pm 30^\circ$ .)
- The „area scan“ measures the SAR above the DUT or verification dipole on a parallel plane to the surface. It is used to locate the approximate location of the peak SAR with 2D spline interpolation. The robot performs a stepped movement along one grid axis while the local electrical field strength is measured by the probe. The probe is touching the surface of the SAM during acquisition of measurement values. The standard scan uses large grid spacing for faster measurement. Standard grid spacing for head measurements is 15 mm in x- and y- dimension. If a finer resolution is needed, the grid spacing can be reduced. Grid spacing and orientation have no influence on the SAR result. For special applications where the standard scan method does not find the peak SAR within the grid, e.g. mobile phones with flip cover, the grid can be adapted in orientation. Results of this coarse scan are shown in annex 2.
- A „7x7x7 zoom scan“ measures the field in a volume around the 2D peak SAR value acquired in the previous „coarse“ scan. This is a fine 7x7 grid where the robot additionally moves the probe in 7 steps along the z-axis away from the bottom of the Phantom. Grid spacing for the cube measurement is 5 mm in x and y-direction and 5 mm in z-direction. DASY4 is also able to perform repeated zoom scans if more than 1 peak is found during area scan. In this document, the evaluated peak 1g and 10g averaged SAR values are shown in the 2D-graphics in annex 2. Test results relevant for the specified standard (see section 3) are shown in table form in section 7.
- A Z-axis scan measures the total SAR value at the x-and y-position of the maximum SAR value found during the cube 7x7x7 scan. The probe is moved away in z-direction from the bottom of the SAM phantom in 2mm steps. This measurement shows the continuity of the liquid and can - depending in the field strength – also show the liquid depth. A z-axis scan of the measurement with maximum SAR value is shown in annex 2.

### 6.1.7 Spatial Peak SAR Evaluation

The spatial peak SAR - value for 1 and 10 g is evaluated after the Cube measurements have been done. The basis of the evaluation are the SAR values measured at the points of the fine cube grid consisting of 7 x 7 x 7 points. The algorithm that finds the maximal averaged volume is separated into three different stages.

- The data between the dipole center of the probe and the surface of the phantom are extrapolated. This data cannot be measured since the center of the dipole is 2.7 mm away from the tip of the probe and the distance between the surface and the lowest measuring point is about 1 mm (see probe calibration sheet). The extrapolated data from a cube measurement can be visualized by selecting 'Graph Evaluated'.
- The maximum interpolated value is searched with a straight-forward algorithm. Around this maximum the SAR - values averaged over the spatial volumes (1g or 10 g) are computed using the 3d-spline interpolation algorithm. If the volume cannot be evaluated (i.e., if a part of the grid was cut off by the boundary of the measurement area) the evaluation will be started on the corners of the bottom plane of the cube.
- All neighboring volumes are evaluated until no neighboring volume with a higher average value is found.

#### Extrapolation

The extrapolation is based on a least square algorithm [W. Gander, Computermathematik, p.168-180]. Through the points in the first 3 cm along the z-axis, polynomials of order four are calculated. These polynomials are then used to evaluate the points between the surface and the probe tip. The points, calculated from the surface, have a distance of 1 mm from each other.

#### Interpolation

The interpolation of the points is done with a 3d-Spline. The 3d-Spline is composed of three one-dimensional splines with the "Not a knot"-condition [W. Gander, Computermathematik, p.141-150] (x, y and z -direction) [Numerical Recipes in C, Second Edition, p.123ff ].

#### Volume Averaging

At First the size of the cube is calculated. Then the volume is integrated with the trapezoidal algorithm. 8000 points (20x20x20) are interpolated to calculate the average.

#### Advanced Extrapolation

DASY4 uses the advanced extrapolation option which is able to compensate boundary effects on E-field probes.

## 6.1.8 Data Storage and Evaluation

### Data Storage

The DASY4 software stores the acquired data from the data acquisition electronics as raw data (in microvolt readings from the probe sensors), together with all necessary software parameters for the data evaluation (probe calibration data, liquid parameters and device frequency and modulation data) in measurement files with the extension ".DA4". The software evaluates the desired unit and format for output each time the data is visualized or exported. This allows verification of the complete software setup even after the measurement and allows correction of incorrect parameter settings. For example, if a measurement has been performed with a wrong crest factor parameter in the device setup, the parameter can be corrected afterwards and the data can be re-evaluated.

The measured data can be visualized or exported in different units or formats, depending on the selected probe type ([V/m], [A/m], [°C], [mW/g], [mW/cm<sup>2</sup>], [dBrel], etc.). Some of these units are not available in certain situations or show meaningless results, e.g., a SAR output in a lossless media will always be zero. Raw data can also be exported to perform the evaluation with other software packages.

### Data Evaluation by SEMCAD

The SEMCAD software automatically executes the following procedures to calculate the field units from the microvolt readings at the probe connector. The parameters used in the evaluation are stored in the configuration modules of the software:

Probe parameters:	- Sensitivity	Norm <sub>i</sub> , a <sub>i0</sub> , a <sub>i1</sub> , a <sub>i2</sub>
	- Conversion factor	ConvF <sub>i</sub>
	- Diode compression point	Dcpi
Device parameters:	- Frequency	f
	- Crest factor	cf
Media parameters:	- Conductivity	s
	- Density	r

These parameters must be set correctly in the software. They can be found in the component documents or they can be imported into the software from the configuration files issued for the DASY4 components. In the direct measuring mode of the multimeter option, the parameters of the actual system setup are used. In the scan visualization and export modes, the parameters stored in the corresponding document files are used.

The first step of the evaluation is a linearization of the filtered input signal to account for the compression characteristics of the detector diode. The compensation depends on the input signal, the diode type and the DC-transmission factor from the diode to the evaluation electronics.

If the exciting field is pulsed, the crest factor of the signal must be known to correctly compensate for peak power. The formula for each channel can be given as:

$$V_i = U_i + U_i^2 \cdot cf/dcp_i$$

with  $V_i$  = compensated signal of channel i (i = x, y, z)  
 $U_i$  = input signal of channel i (i = x, y, z)  
 $cf$  = crest factor of exciting field (DASY parameter)  
 $dcp_i$  = diode compression point (DASY parameter)

From the compensated input signals the primary field data for each channel can be evaluated:

E-field probes:  $E_i = (V_i / Norm_i \cdot ConvF)^{1/2}$

H-field probes:  $H_i = (V_i)^{1/2} \cdot (a_{i0} + a_{i1}f + a_{i2}f^2)/f$

with  $V_i$  = compensated signal of channel i (i = x, y, z)  
 $Norm_i$  = sensor sensitivity of channel i (i = x, y, z)  
 [mV/(V/m)<sup>2</sup>] for E-field Probes  
 $ConvF$  = sensitivity enhancement in solution  
 $a_{ij}$  = sensor sensitivity factors for H-field probes  
 $f$  = carrier frequency [GHz]  
 $E_i$  = electric field strength of channel i in V/m  
 $H_i$  = magnetic field strength of channel i in A/m

The RSS value of the field components gives the total field strength (Hermitian magnitude):

$$E_{tot} = (E_x^2 + E_y^2 + E_z^2)^{1/2}$$

The primary field data are used to calculate the derived field units.

$$SAR = (E_{tot}^2 \cdot s) / (r \cdot 1000)$$

with  $SAR$  = local specific absorption rate in mW/g  
 $E_{tot}$  = total field strength in V/m  
 $s$  = conductivity in [mho/m] or [Siemens/m]  
 $r$  = equivalent tissue density in g/cm<sup>3</sup>

Note that the density is normally set to 1 (or 1.06), to account for actual brain density rather than the density of the simulation liquid. The power flow density is calculated assuming the excitation field to be a free space field.

$$P_{pwe} = E_{tot}^2 / 3770 \quad \text{or} \quad P_{pwe} = H_{tot}^2 \cdot 37.7$$

with  $P_{pwe}$  = equivalent power density of a plane wave in mW/cm<sup>2</sup>  
 $E_{tot}$  = total electric field strength in V/m  
 $H_{tot}$  = total magnetic field strength in A/m

### 6.1.9 Tissue simulating liquids: dielectric properties

The following materials are used for producing the tissue-equivalent materials.

(Liquids used for tests described in section 7. are marked with ☒) :

Ingredients (% of weight)	Frequency (MHz)					
	<input type="checkbox"/> 450	<input type="checkbox"/> 835	<input checked="" type="checkbox"/> 900	<input checked="" type="checkbox"/> 1800	<input checked="" type="checkbox"/> 1900	<input checked="" type="checkbox"/> 2450
frequency band						
Tissue Type	Body	Body	Body	Body	Body	Body
Water	51.16	52.4	56.0	69.91	69.91	73.2
Salt (NaCl)	1.49	1.40	0.76	0.13	0.13	0.04
Sugar	46.78	45.0	41.76	0.0	0.0	0.0
HEC	0.52	1.0	1.21	0.0	0.0	0.0
Bactericide	0.05	0.1	0.27	0.0	0.0	0.0
Triton X-100	0.0	0.0	0.0	0.0	0.0	0.0
DGBE	0.0	0.0	0.0	29.96	29.96	26.7

Table 2: Body tissue dielectric properties

Salt: 99+% Pure Sodium Chloride

Sugar: 98+% Pure Sucrose

Water: De-ionized, 16MW+ resistivity

HEC: Hydroxyethyl Cellulose

DGBE: 99+% Di(ethylene glycol) butyl ether, [2-(2-butoxyethoxy)ethanol]

Triton X-100(ultra pure): Polyethylene glycol mono [4-(1,1,3,3-tetramethylbutyl)phenyl]ether

Note: Due to their availability body tissue simulating liquids as defined by FCC OET Bulletin 65 Supplement C are generally used for body worn SAR testing according to European standards.

### 6.1.10 Tissue simulating liquids: parameters

Liquid	Frequency (MHz)	Target body tissue		Measurement body tissue		Measurement date
		Permittivity	Conductivity[S/m]	Permittivity	Conductivity[S/m]	
M 900	880	55.0	1.05	54.3	1.03	2011-10-01
	900	55.0	1.05	54.1	1.05	2011-10-01
	915	55.0	1.05	53.9	1.06	2011-10-01
M 1800	1710	53.3	1.52	53.1	1.44	2011-09-26
	1747	53.3	1.52	53.0	1.48	2011-09-26
	1785	53.3	1.52	52.8	1.53	2011-09-26
	1800	53.3	1.52	52.8	1.54	2011-09-26
M 1900	1900	53.3	1.52	52.6	1.51	2011-09-28
	1922	53.3	1.55	52.5	1.54	2011-09-28
	1950	53.3	1.55	52.4	1.58	2011-09-28
	1978	53.3	1.55	52.4	1.61	2011-09-28
M 2450	2412	52.7	1.95	51.8	1.94	2011-09-29
	2442	52.7	1.95	51.8	1.98	2011-09-29
	2450	52.7	1.95	51.7	1.99	2011-09-29
	2472	52.7	1.95	51.6	2.02	2011-09-29

Table 3: Parameter of the body tissue simulating liquid

Note: The dielectric properties have been measured using the contact probe method at 22°C.

### 6.1.11 Measurement uncertainty evaluation for SAR test

The overall combined measurement uncertainty of the measurement system is  $\pm 11.5\%$  ( $K=1$ ).  
 The expanded uncertainty ( $k=2$ ) is assessed to be  $\pm 23.0\%$   
 This measurement uncertainty budget is suggested by IEEE 1528-2003 and determined by Schmid & Partner Engineering AG. The breakdown of the individual uncertainties is as follows:

Error Sources	Uncertainty Value	Probability Distribution	Divisor	$c_i$ 1g	$c_i$ 10g	Standard Uncertainty 1g	Standard Uncertainty 10g	$v_i^2$ or $v_{eff}$
<b>Measurement System</b>								
Probe calibration	$\pm 6.0\%$	Normal	1	1	1	$\pm 6.0\%$	$\pm 6.0\%$	$\infty$
Axial isotropy	$\pm 4.7\%$	Rectangular	$\sqrt{3}$	0.7	0.7	$\pm 1.9\%$	$\pm 1.9\%$	$\infty$
Hemispherical isotropy	$\pm 9.6\%$	Rectangular	$\sqrt{3}$	0.7	0.7	$\pm 3.9\%$	$\pm 3.9\%$	$\infty$
Spatial resolution	$\pm 0.0\%$	Rectangular	$\sqrt{3}$	1	1	$\pm 0.0\%$	$\pm 0.0\%$	$\infty$
Boundary effects	$\pm 1.0\%$	Rectangular	$\sqrt{3}$	1	1	$\pm 0.6\%$	$\pm 0.6\%$	$\infty$
Probe linearity	$\pm 4.7\%$	Rectangular	$\sqrt{3}$	1	1	$\pm 2.7\%$	$\pm 2.7\%$	$\infty$
System detection limits	$\pm 1.0\%$	Rectangular	$\sqrt{3}$	1	1	$\pm 0.6\%$	$\pm 0.6\%$	$\infty$
Readout electronics	$\pm 1.0\%$	Normal	1	1	1	$\pm 1.0\%$	$\pm 1.0\%$	$\infty$
Response time	$\pm 0.8\%$	Rectangular	$\sqrt{3}$	1	1	$\pm 0.5\%$	$\pm 0.5\%$	$\infty$
Integration time	$\pm 2.6\%$	Rectangular	$\sqrt{3}$	1	1	$\pm 1.5\%$	$\pm 1.5\%$	$\infty$
RF ambient conditions	$\pm 3.0\%$	Rectangular	$\sqrt{3}$	1	1	$\pm 1.7\%$	$\pm 1.7\%$	$\infty$
Probe positioner	$\pm 0.4\%$	Rectangular	$\sqrt{3}$	1	1	$\pm 0.2\%$	$\pm 0.2\%$	$\infty$
Probe positioning	$\pm 2.9\%$	Rectangular	$\sqrt{3}$	1	1	$\pm 1.7\%$	$\pm 1.7\%$	$\infty$
Max. SAR evaluation	$\pm 1.0\%$	Rectangular	$\sqrt{3}$	1	1	$\pm 0.6\%$	$\pm 0.6\%$	$\infty$
<b>Test Sample Related</b>								
Device positioning	$\pm 2.9\%$	Normal	1	1	1	$\pm 2.9\%$	$\pm 2.9\%$	145
Device holder uncertainty	$\pm 3.6\%$	Normal	1	1	1	$\pm 3.6\%$	$\pm 3.6\%$	5
Power drift	$\pm 5.0\%$	Rectangular	$\sqrt{3}$	1	1	$\pm 2.9\%$	$\pm 2.9\%$	$\infty$
<b>Phantom and Set-up</b>								
Phantom uncertainty	$\pm 4.0\%$	Rectangular	$\sqrt{3}$	1	1	$\pm 2.3\%$	$\pm 2.3\%$	$\infty$
Liquid conductivity (target)	$\pm 5.0\%$	Rectangular	$\sqrt{3}$	0.64	0.43	$\pm 1.8\%$	$\pm 1.2\%$	$\infty$
Liquid conductivity (meas.)	$\pm 2.5\%$	Normal	1	0.64	0.43	$\pm 1.6\%$	$\pm 1.1\%$	$\infty$
Liquid permittivity (target)	$\pm 5.0\%$	Rectangular	$\sqrt{3}$	0.6	0.49	$\pm 1.7\%$	$\pm 1.4\%$	$\infty$
Liquid permittivity (meas.)	$\pm 2.5\%$	Normal	1	0.6	0.49	$\pm 1.5\%$	$\pm 1.2\%$	$\infty$
<b>Combined Uncertainty</b>						$\pm 11.5\%$	$\pm 11.2\%$	330
<b>Expanded Std. Uncertainty</b>						$\pm 23.0\%$	$\pm 22.5\%$	

Table 4: Measurement uncertainties

Note : Worst case probe calibration uncertainty has been applied for all probes used during the measurements.

### 6.1.12 Measurement uncertainty evaluation for system validation

The overall combined measurement uncertainty of the measurement system is  $\pm 9.6\%$  ( $K=1$ ).

The expanded uncertainty ( $k=2$ ) is assessed to be  $\pm 19.2\%$

This measurement uncertainty budget is suggested by IEEE 1528-2003 and determined by Schmid & Partner Engineering AG. The breakdown of the individual uncertainties is as follows:

Error Sources	Uncertainty Value	Probability Distribution	Divisor	$c_i$ 1g	$c_i$ 10g	Standard Uncertainty 1g	Standard Uncertainty 10g	$v_i^2$ or $v_{eff}$
<b>Measurement System</b>								
Probe calibration	$\pm 6.0\%$	Normal	1	1	1	$\pm 6.0\%$	$\pm 6.0\%$	$\infty$
Axial isotropy	$\pm 4.7\%$	Rectangular	$\sqrt{3}$	0.7	0.7	$\pm 1.9\%$	$\pm 1.9\%$	$\infty$
Hemispherical isotropy	$\pm 0.0\%$	Rectangular	$\sqrt{3}$	0.7	0.7	$\pm 0.0\%$	$\pm 3.9\%$	$\infty$
Boundary effects	$\pm 1.0\%$	Rectangular	$\sqrt{3}$	1	1	$\pm 0.6\%$	$\pm 0.6\%$	$\infty$
Probe linearity	$\pm 4.7\%$	Rectangular	$\sqrt{3}$	1	1	$\pm 2.7\%$	$\pm 2.7\%$	$\infty$
System detection limits	$\pm 1.0\%$	Rectangular	$\sqrt{3}$	1	1	$\pm 0.6\%$	$\pm 0.6\%$	$\infty$
Readout electronics	$\pm 1.0\%$	Normal	1	1	1	$\pm 1.0\%$	$\pm 1.0\%$	$\infty$
Response time	$\pm 0.0\%$	Rectangular	$\sqrt{3}$	1	1	$\pm 0.0\%$	$\pm 0.0\%$	$\infty$
Integration time	$\pm 0.0\%$	Rectangular	$\sqrt{3}$	1	1	$\pm 0.0\%$	$\pm 0.0\%$	$\infty$
RF ambient conditions	$\pm 3.0\%$	Rectangular	$\sqrt{3}$	1	1	$\pm 1.7\%$	$\pm 1.7\%$	$\infty$
Probe positioner	$\pm 0.4\%$	Rectangular	$\sqrt{3}$	1	1	$\pm 0.2\%$	$\pm 0.2\%$	$\infty$
Probe positioning	$\pm 2.9\%$	Rectangular	$\sqrt{3}$	1	1	$\pm 1.7\%$	$\pm 1.7\%$	$\infty$
Max. SAR evaluation	$\pm 1.0\%$	Rectangular	$\sqrt{3}$	1	1	$\pm 0.6\%$	$\pm 0.6\%$	$\infty$
<b>Test Sample Related</b>								
Dipole axis to liquid distance	$\pm 2.0\%$	Normal	1	1	1	$\pm 1.2\%$	$\pm 1.2\%$	$\infty$
Power drift	$\pm 4.7\%$	Rectangular	$\sqrt{3}$	1	1	$\pm 2.7\%$	$\pm 2.7\%$	$\infty$
<b>Phantom and Set-up</b>								
Phantom uncertainty	$\pm 4.0\%$	Rectangular	$\sqrt{3}$	1	1	$\pm 2.3\%$	$\pm 2.3\%$	$\infty$
Liquid conductivity (target)	$\pm 5.0\%$	Rectangular	$\sqrt{3}$	0.64	0.43	$\pm 1.8\%$	$\pm 1.2\%$	$\infty$
Liquid conductivity (meas.)	$\pm 2.5\%$	Normal	1	0.64	0.43	$\pm 1.6\%$	$\pm 1.1\%$	$\infty$
Liquid permittivity (target)	$\pm 5.0\%$	Rectangular	$\sqrt{3}$	0.6	0.49	$\pm 1.7\%$	$\pm 1.4\%$	$\infty$
Liquid permittivity (meas.)	$\pm 2.5\%$	Normal	1	0.6	0.49	$\pm 1.5\%$	$\pm 1.2\%$	$\infty$
<b>Combined Uncertainty</b>						<b><math>\pm 9.6\%</math></b>	<b><math>\pm 9.3\%</math></b>	
<b>Expanded Std. Uncertainty</b>						<b><math>\pm 19.2\%</math></b>	<b><math>\pm 18.6\%</math></b>	

Table 5: Measurement uncertainties

Note : Worst case probe calibration uncertainty has been applied for all probes used during the measurements.



### 6.1.13 System validation

The system validation is performed for verifying the accuracy of the complete measurement system and performance of the software. The system validation is performed with tissue equivalent material according to the relevant standards listed in section 3. The following table shows validation results for all frequency bands and tissue liquids used during the tests (plot(s) see annex A).

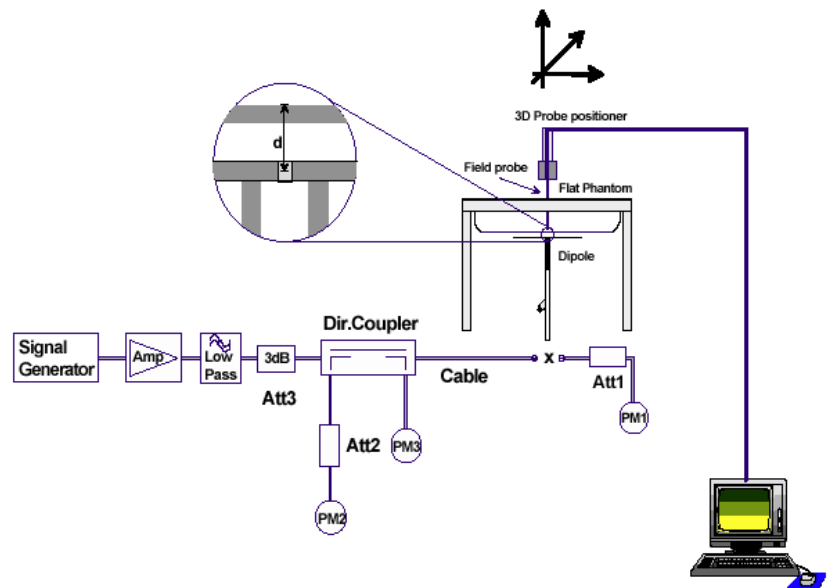
Validation Kit	Frequency	Target Peak SAR (1000 mW) (+/- 10%)	Target SAR <sub>10g</sub> (1000 mW) (+/- 10%)	Measured Peak SAR (1000 mW)	Measured SAR <sub>10g</sub> (1000 mW)	Measured date
D900V2 S/N: 102	900 MHz body	17.3 mW/g	7.24 mW/g	16.8 mW/g	7.13 mW/g	2011-10-01
D900V2 S/N: 102	900 MHz body	17.3 mW/g	7.24 mW/g	16.7 mW/g	7.04 mW/g	2011-10-02
D900V2 S/N: 102	900 MHz body	17.3 mW/g	7.24 mW/g	16.0 mW/g	7.2 mW/g	2011-10-04
D1800V2 S/N: 287	1800 MHz body	67.8 mW/g	20.4 mW/g	63.5 mW/g	21.0 mW/g	2011-09-26
D1900V2 S/N: 5d009	1900 MHz body	73.8 mW/g	21.5 mW/g	71.8 mW/g	22.1 mW/g	2011-09-28
D1900V2 S/N: 5d009	1900 MHz body	73.8 mW/g	21.5 mW/g	72.1 mW/g	22.0 mW/g	2011-09-29
D2450V2 S/N: 710	2450 MHz body	108.0 mW/g	24.2 mW/g	99.2 mW/g	23.6 mW/g	2011-09-29

Table 6: Results system validation

### 6.1.14 Validation procedure

The validation is performed by using a validation dipole which is positioned parallel to the planar part of the SAM phantom at the reference point. The distance of the dipole to the SAM phantom is determined by a plexiglass spacer. The dipole is connected to the signal source consisting of signal generator and amplifier via a directional coupler, N-connector cable and adaption to SMA. It is fed with a power of 1000 mW. To adjust this power a power meter is used. The power sensor is connected to the cable before the validation to measure the power at this point and do adjustments at the signal generator. At the outputs of the directional coupler both return loss as well as forward power are controlled during the validation to make sure that emitted power at the dipole is kept constant. This can also be checked by the power drift measurement after the test (result on plot).

Validation results have to be equal or near the values determined during dipole calibration (target SAR in table above) with the relevant liquids and test system.



## 7 Detailed Test Results

### 7.1 Conducted power measurements

For the measurements a Rohde & Schwarz Radio Communication Tester CMU 200 was used. The output power was measured using an integrated RF connector and attached RF cable. The conducted output power was also checked before and after each SAR measurement. The resulting power values were within a 0.2 dB tolerance of the values shown below.

Note: CMU200 measures GSM peak and average output power for active timeslots.

For SAR the timebased average power is relevant. The difference inbetween depends on the duty cycle of the TDMA signal :

<b>No. of timeslots</b>	<b>1</b>	<b>2</b>	<b>3</b>	<b>4</b>
Duty Cycle	1 : 8	1: 4	1 : 2.66	1 : 2
timebased avg. power compared to slotted avg. power	- 9 dB	- 6 dB	- 4.25 dB	- 3 dB

The signalling modes differ as follows :

<b>mode</b>	<b>coding scheme</b>	<b>modulation</b>
GPRS	CS1 to CS4	GMSK
EGPRS (EDGE)	MCS1 to MCS4	GMSK
EGPRS (EDGE)	MCS5 to MCS9	8PSK

Apart from modulation change (GMSK/8PSK) coding schemes differ in code rate without influence on the RF signal. Therefore one coding scheme per mode was selected for conducted power measurements.

#### 7.1.1 Conducted power measurements GSM 900 MHz

Channel / frequency	modulation	timeslots	slotted avg. power	time based avg. power (calculated)
975 / 880.2 MHz	GMSK	1	33.7 dBm	24.7 dBm
37 / 897.4 MHz	GMSK	1	33.3 dBm	24.3 dBm
124 / 914.8 MHz	GMSK	1	32.7 dBm	23.7 dBm
975 / 880.2 MHz	GMSK	2	31.5 dBm	<b>25.5 dBm</b>
37 / 897.4 MHz	GMSK	2	31.1 dBm	<b>25.1 dBm</b>
124 / 914.8 MHz	GMSK	2	30.6 dBm	<b>24.6 dBm</b>
975 / 880.2 MHz	8PSK	2	26.6 dBm	20.6 dBm
37 / 897.4 MHz	8PSK	2	27.1 dBm	21.1 dBm
124 / 914.8 MHz	8PSK	2	27.6 dBm	21.6 dBm

Table 7: Test results conducted power measurement GSM 900 MHz

### 7.1.2 Conducted power measurements GSM 1800 MHz

Channel / frequency	modulation	timeslots	slotted avg. power	time based avg. power (calculated)
512 / 1710.2 MHz	GMSK	1	29.9 dBm	20.9 dBm
698 / 1747.4 MHz	GMSK	1	30.1 dBm	21.1 dBm
885 / 1784.8 MHz	GMSK	1	30.3 dBm	21.3 dBm
512 / 1710.2 MHz	GMSK	2	28.0 dBm	<b>22.0 dBm</b>
698 / 1747.4 MHz	GMSK	2	28.2 dBm	<b>22.2 dBm</b>
885 / 1784.8 MHz	GMSK	2	28.4 dBm	<b>22.4 dBm</b>
512 / 1710.2 MHz	8PSK	2	24.2 dBm	18.2 dBm
698 / 1747.4 MHz	8PSK	2	24.4 dBm	18.4 dBm
885 / 1784.8 MHz	8PSK	2	24.6 dBm	18.2 dBm

Table 8: Test results conducted power measurement GSM 1800 MHz

### 7.1.3 Justification of SAR measurements in GSM mode

SAR measurements were performed in GPRS mode with 2 active timeslots because highest time based averaged output power was calculated for that configuration. In EDGE mode no delta measurement was performed.

### 7.1.4 Conducted power measurements WCDMA FDD I (1950 MHz)

mode	Max. RMS output power 1950 MHz (FDD I) / dBm		
	9612 / 1922.4 MHz	9750 / 1950.0 MHz	9888 / 1977.6 MHz
<b>RMC 12.2 kbit/s</b>	<b>24.2</b>	<b>24.2</b>	<b>24.1</b>

Table 9: Test results conducted power measurement UMTS WCDMA FDD I 1950 MHz

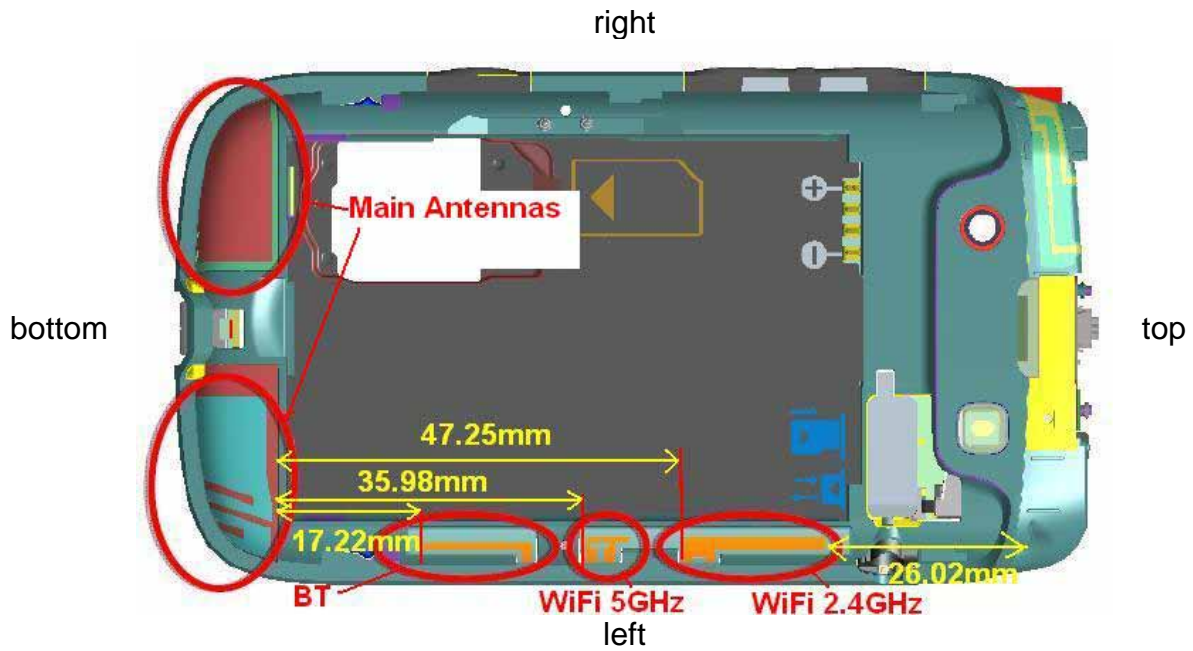
### 7.1.5 Conducted power measurements WLAN 2.4 GHz

Channel / frequency	modulation	bit rate	timebased avg. power
1 / 2412 MHz	CCK	1 MBit/s	<b>17.2 dBm</b>
6 / 2437 MHz	CCK	1 MBit/s	<b>17.7 dBm</b>
13 / 2472 MHz	CCK	1 MBit/s	<b>17.0 dBm</b>
1 / 2412 MHz	OFDM	6 MBit/s	13.0 dBm
6 / 2437 MHz	OFDM	6 MBit/s	15.5 dBm
13 / 2472 MHz	OFDM	6 MBit/s	15.0 dBm
1 / 2412 MHz	OFDM	6.5 MBit/s	12.9 dBm
6 / 2437 MHz	OFDM	6.5 MBit/s	15.4 dBm
13 / 2472 MHz	OFDM	6.5 MBit/s	12.8 dBm

Table 10: Test results conducted power measurement WLAN 2.4 GHz

### 7.1.6 Mobile hotspot SAR measurement positions

Mobile hotspot SAR measurement positions						
mode	front	rear	left edge	right edge	top edge	bottom edge
GSM 900	yes	yes	yes	yes	no	yes
GSM 1800	yes	yes	yes	yes	no	yes
WCDMA FDD I 1950	yes	yes	yes	yes	no	yes
WLAN 2450	yes	yes	yes	no	no	no



The edges with less than 2.5 cm distance to the TX antennas need to be tested for hotspot SAR.

## 7.2 SAR test results

### 7.2.1 Results overview

Body SAR GSM 900 MHz (averaged over 10g tissue volume)					
Channel / frequency	Position	test condition	Body worn test result	Limit	Liquid temperature
37 / 897.4 MHz	front	2 time slots	0.775 W/kg	2 W/kg	22.3 °C
975 / 880.2 MHz	rear	2 time slots	<b>0.789 W/kg</b>	2 W/kg	22.3 °C
37 / 897.4 MHz	rear	2 time slots	0.787 W/kg	2 W/kg	22.3 °C
124 / 914.8 MHz	rear	2 time slots	0.533 W/kg	2 W/kg	22.3 °C
37 / 897.4 MHz	left	2 time slots	0.245 W/kg	2 W/kg	22.3 °C
37 / 897.4 MHz	right	2 time slots	0.478 W/kg	2 W/kg	22.3 °C
37 / 897.4 MHz	bottom	2 time slots	0.206 W/kg	2 W/kg	22.3 °C

Table 11: Test results body SAR GSM 900 MHz

Top edge position is not required since the distance from the main antenna to the edge is greater than 2.5 cm.

Body SAR GSM 1800 MHz (averaged over 10g tissue volume)					
Channel / frequency	Position	test condition	Body worn test result	Limit	Liquid temperature
698 / 1747.4 MHz	front	2 time slots	0.253 W/kg	2 W/kg	21.9 °C
512 / 1710.2 MHz	rear	2 time slots	<b>0.461 W/kg</b>	2 W/kg	21.9 °C
698 / 1747.4 MHz	rear	2 time slots	0.352 W/kg	2 W/kg	21.9 °C
885 / 1784.8 MHz	rear	2 time slots	0.348 W/kg	2 W/kg	21.9 °C
698 / 1747.4 MHz	left	2 time slots	0.140 W/kg	2 W/kg	21.9 °C
698 / 1747.4 MHz	right	2 time slots	0.109 W/kg	2 W/kg	21.9 °C
698 / 1747.4 MHz	bottom	2 time slots	0.188 W/kg	2 W/kg	21.9 °C

Table 12: Test results body SAR GSM 1800 MHz

Top edge position is not required since the distance from the main antenna to the edge is greater than 2.5 cm.

Body SAR UMTS FDD I 2100/1900 MHz (averaged over 10g tissue volume)					
Channel / frequency	Position	test condition	Body worn test result	Limit	Liquid temperature
9750 / 1950.0 MHz	front	RMC, 12.2 kbit/s	0.639 W/kg	2 W/kg	23.3 °C
9612 / 1922.4 MHz	rear	RMC, 12.2 kbit/s	0.955 W/kg	2 W/kg	23.3 °C
9750 / 1950.0 MHz	rear	RMC, 12.2 kbit/s	<b>1.130 W/kg</b>	2 W/kg	23.3 °C
9888 / 1977.6 MHz	rear	RMC, 12.2 kbit/s	1.070 W/kg	2 W/kg	23.3 °C
9750 / 1950.0 MHz	left	RMC, 12.2 kbit/s	0.353 W/kg	2 W/kg	23.3 °C
9750 / 1950.0 MHz	right	RMC, 12.2 kbit/s	0.221 W/kg	2 W/kg	23.3 °C
9750 / 1950.0 MHz	bottom	RMC, 12.2 kbit/s	0.114 W/kg	2 W/kg	23.3 °C

Table 13: Test results body SAR UMTS FDD I 2100/1900 MHz

Top edge position is not required since the distance from the main antenna to the edge is greater than 2.5 cm.

Body SAR WLAN 2450 MHz (averaged over 10g tissue volume)					
Channel / frequency	Position	test condition	Body worn test result	Limit	Liquid temperature
6 / 2437MHz	front	CCK 1 Mbit/s	0.035 W/kg	2 W/kg	23.8 °C
6 / 2437MHz	rear	CCK 1 Mbit/s	0.153 W/kg	2 W/kg	23.8 °C
1 / 2412 MHz	left	CCK 1 Mbit/s	0.096 W/kg	2 W/kg	23.8 °C
6 / 2437MHz	left	CCK 1 Mbit/s	<b>0.169 W/kg</b>	2 W/kg	23.8 °C
13 / 2472 MHz	left	CCK 1 Mbit/s	0.160 W/kg	2 W/kg	23.8 °C

Table 14: Test results body SAR WLAN 2450 MHz

Top, bottom and right edge position is not required since the distance from the main antenna to the edge is greater than 2.5 cm.

#### Note:

The SAR test shall be performed at the high, middle and low frequency channels of each operating mode. If the SAR measured at mid-band channel for each test configuration is at least 3.0 dB lower than the SAR limit (< 1 W/kg), testing at the high and low channels is optional, apart from the worst case configuration.

Per Oct 2010 TCB FCC Workshop, the edges with antennas within 2.5 cm are required to be evaluated for SAR to cover WLAN hot spot function.

Tests in body position were performed with 10 mm air gap between DUT and SAM.

## 7.2.2 General description of test procedures

The DUT is tested using a CMU 200 communications tester as controller unit to set test channels and maximum output power to the DUT, as well as for measuring the conducted peak power.

Test positions as described in the tables above are in accordance with the specified test standard.

Tests in body position were performed in that configuration, which generates the highest time based averaged output power (see conducted power results). UMTS was tested in RMC mode with 12.2 kbit/s and TPC bits set to 'all 1'. WLAN was tested in 802.11b mode with 1 Mbit/s.

## 8 Test equipment and ancillaries used for tests

To simplify the identification of the test equipment and/or ancillaries which were used, the reporting of the relevant test cases only refer to the test item number as specified in the table below.

No	used	Equipment	Type	Manufacturer	Serial No.	Last Calibration	Frequency (months)
1	<input checked="" type="checkbox"/>	Dosimetric E-Field Probe	ET3DV6	Schmid & Partner Engineering AG	1558	August 23, 2011	12
2	<input checked="" type="checkbox"/>	Dosimetric E-Field Probe	ET3DV6	Schmid & Partner Engineering AG	1559	January 19, 2011	12
3	<input checked="" type="checkbox"/>	900 MHz System Validation Dipole	D900V2	Schmid & Partner Engineering AG	102	August 15, 2011	12
4	<input checked="" type="checkbox"/>	1800 MHz System Validation Dipole	D1800V2	Schmid & Partner Engineering AG	287	August 17, 2011	12
5	<input checked="" type="checkbox"/>	1900 MHz System Validation Dipole	D1900V2	Schmid & Partner Engineering AG	5d009	August 17, 2011	12
6	<input checked="" type="checkbox"/>	2450 MHz System Validation Dipole	D2450V2	Schmid & Partner Engineering AG	710	August 19, 2011	12
7	<input checked="" type="checkbox"/>	Data acquisition electronics	DAE3V1	Schmid & Partner Engineering AG	413	January 13, 2011	12
8	<input checked="" type="checkbox"/>	Data acquisition electronics	DAE3V1	Schmid & Partner Engineering AG	477	May 04, 2011	12
9	<input checked="" type="checkbox"/>	Software	DASY 4 V4.5	Schmid & Partner Engineering AG	---	N/A	--
10	<input checked="" type="checkbox"/>	Phantom	SAM	Schmid & Partner Engineering AG	---	N/A	--
11	<input checked="" type="checkbox"/>	Universal Radio Communication Tester	CMU 200	Rohde & Schwarz	106826	January 12, 2011	12
12	<input checked="" type="checkbox"/>	Network Analyser 300 kHz to 6 GHz	8753ES	Hewlett Packard)*	US39174436	July 6, 2010	12
13	<input checked="" type="checkbox"/>	Dielectric Probe Kit	85070C	Hewlett Packard	US99360146	N/A	12
14	<input checked="" type="checkbox"/>	Signal Generator	8665A	Hewlett Packard	2833A00112	January 6, 2011	12
15	<input checked="" type="checkbox"/>	Amplifier	25S1G4 (25 Watt)	Amplifier Research	20452	N/A	--
16	<input checked="" type="checkbox"/>	Power Meter	NRP	Rohde & Schwarz	101367	January 6, 2011	12
17	<input checked="" type="checkbox"/>	Power Meter Sensor	NRP Z22	Rohde & Schwarz	100227	January 6, 2011	12
18	<input checked="" type="checkbox"/>	Power Meter Sensor	NRP Z22	Rohde & Schwarz	100234	January 6, 2011	12

)\* : Network analyzer probe calibration against air, distilled water and a shorting block performed before measuring liquid parameters.

## 9 Observations

No observations exceeding those reported with the single test cases have been made.



## Annex A: System performance verification

Date/Time: 01.10.2011 19:53:35 Date/Time: 01.10.2011 19:57:16

### System Performance Check-D900 body 2011-10-01

DUT: Dipole 900 MHz; Type: D900V2; Serial: 102

Communication System: CW; Frequency: 900 MHz; Duty Cycle: 1:1

Medium: M900 Medium parameters used:  $f = 900 \text{ MHz}$ ;  $\sigma = 1.05 \text{ mho/m}$ ;  $\epsilon_r = 54.1$ ;  $\rho = 1000 \text{ kg/m}^3$ 

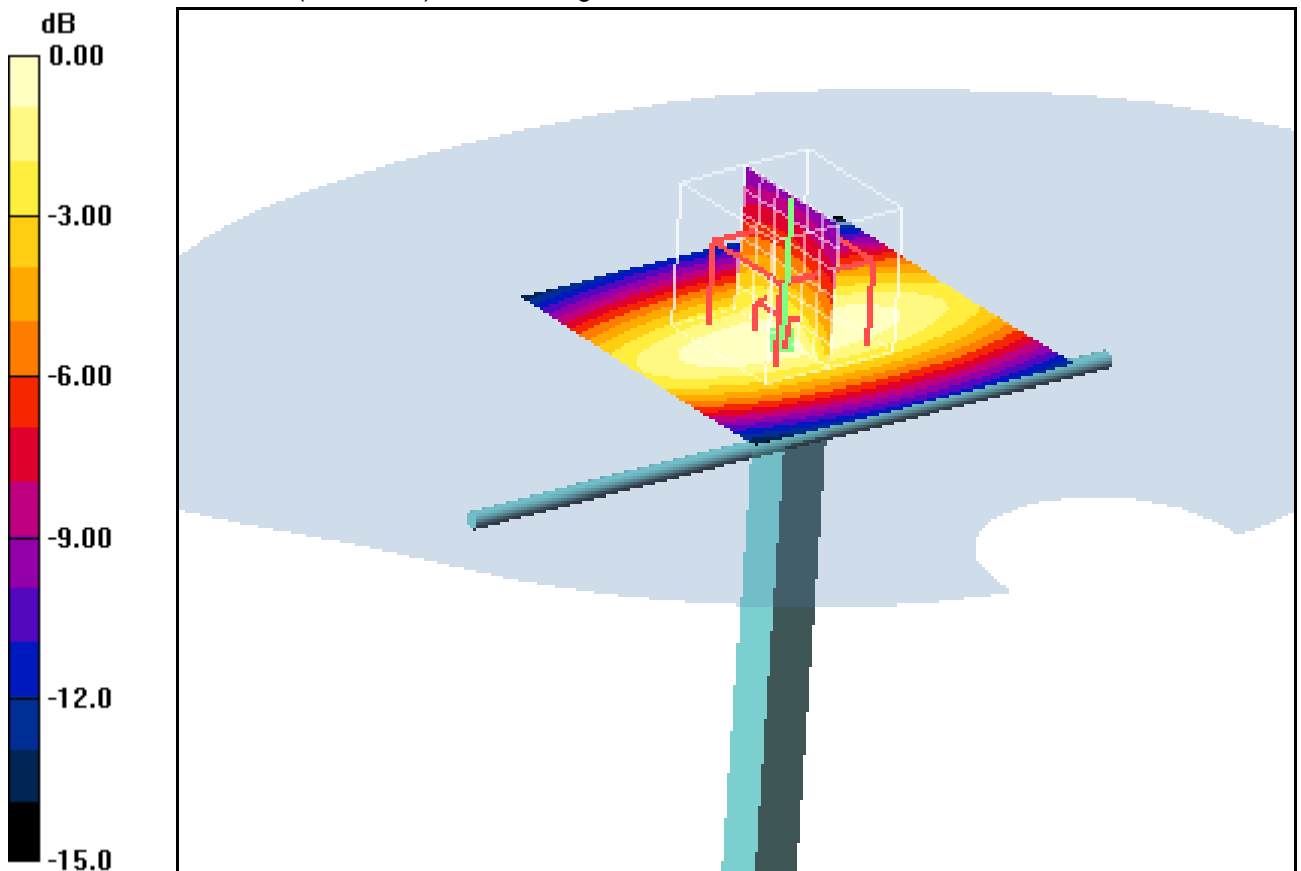
Phantom section: Flat Section

DASY4 Configuration:

- Probe: ET3DV6 - SN1558; ConvF(5.77, 5.77, 5.77); Calibrated: 23.08.2011
- Sensor-Surface: 4mm (Mechanical And Optical Surface Detection)
- Electronics: DAE3 Sn413; Calibrated: 13.01.2011
- Phantom: SAM 12; Type: SAM; Serial: 1043
- Measurement SW: DASY4, V4.5 Build 19; Postprocessing SW: SEMCAD, V1.8 Build 146

**d=15mm, Pin=1000mW/Area Scan (51x51x1):** Measurement grid:  $dx=15\text{mm}$ ,  $dy=15\text{mm}$   
 Maximum value of SAR (interpolated) = 11.7 mW/g

**d=15mm, Pin=1000mW/Zoom Scan (7x7x7) (7x7x7)/Cube 0:** Measurement grid:  
 $dx=5\text{mm}$ ,  $dy=5\text{mm}$ ,  $dz=5\text{mm}$   
 Reference Value = 111.6 V/m; Power Drift = 0.018 dB  
 Peak SAR (extrapolated) = 16.8 W/kg  
**SAR(1 g) = 11 mW/g; SAR(10 g) = 7.13 mW/g**  
 Maximum value of SAR (measured) = 11.9 mW/g



0 dB = 11.9mW/g

#### Additional information:

ambient temperature: 23.3°C; liquid temperature: 22.6°C

Date/Time: 02.10.2011 13:31:29 Date/Time: 02.10.2011 13:35:11

**System Performance Check-D900 body 2011-10-02**

**DUT: Dipole 900 MHz; Type: D900V2; Serial: 102**

Communication System: CW; Frequency: 900 MHz; Duty Cycle: 1:1

Medium: M900 Medium parameters used:  $f = 900 \text{ MHz}$ ;  $\sigma = 1.05 \text{ mho/m}$ ;  $\epsilon_r = 54.1$ ;  $\rho = 1000 \text{ kg/m}^3$

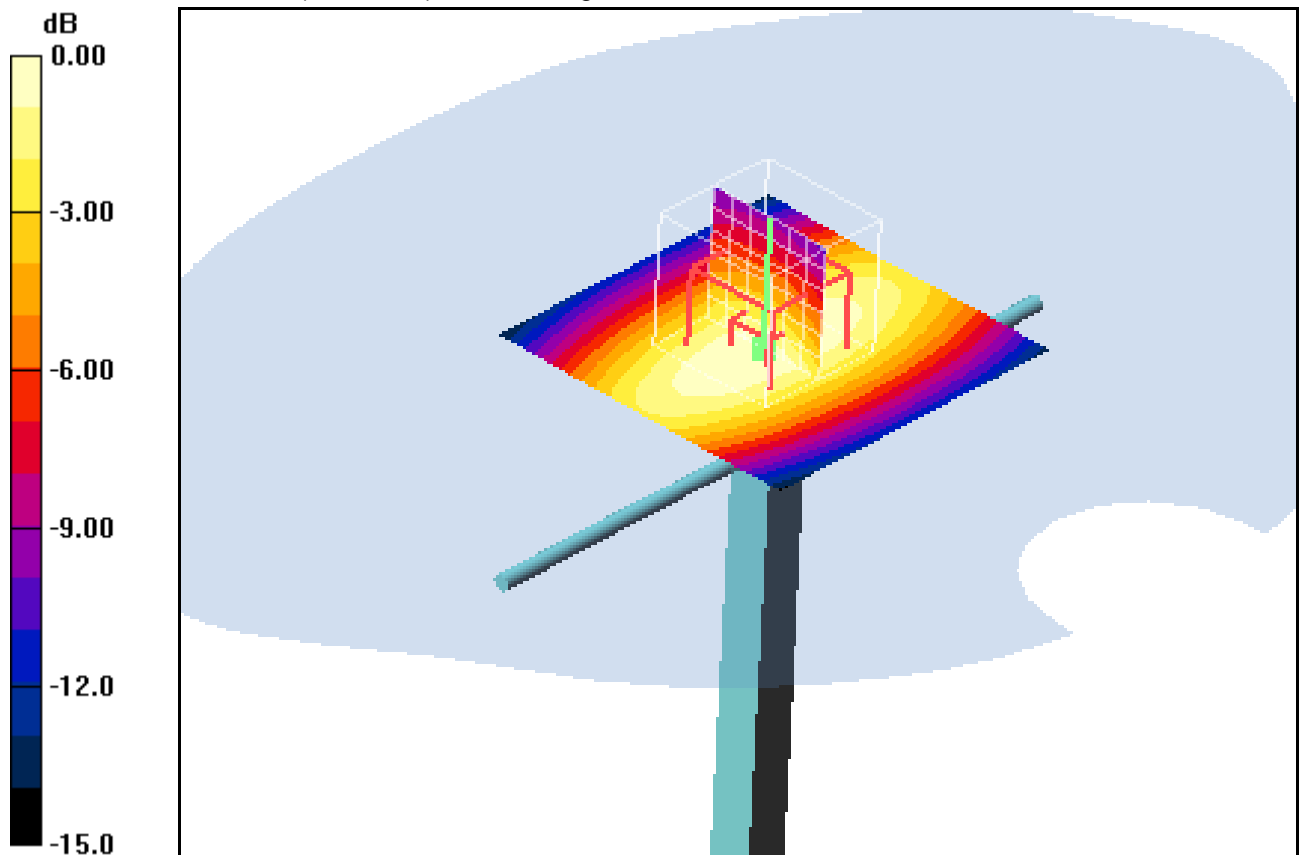
Phantom section: Flat Section

DASY4 Configuration:

- Probe: ET3DV6 - SN1558; ConvF(5.77, 5.77, 5.77); Calibrated: 23.08.2011
- Sensor-Surface: 4mm (Mechanical And Optical Surface Detection)
- Electronics: DAE3 Sn413; Calibrated: 13.01.2011
- Phantom: SAM 12; Type: SAM; Serial: 1043
- Measurement SW: DASY4, V4.5 Build 19; Postprocessing SW: SEMCAD, V1.8 Build 146

**d=15mm, Pin=1000mW/Area Scan (51x51x1):** Measurement grid: dx=15mm, dy=15mm  
 Maximum value of SAR (interpolated) = 11.6 mW/g

**d=15mm, Pin=1000mW/Zoom Scan (7x7x7) (7x7x7)/Cube 0:** Measurement grid:  
 dx=5mm, dy=5mm, dz=5mm  
 Reference Value = 111.0 V/m; Power Drift = -0.00 dB  
 Peak SAR (extrapolated) = 16.7 W/kg  
**SAR(1 g) = 10.8 mW/g; SAR(10 g) = 7.04 mW/g**  
 Maximum value of SAR (measured) = 11.8 mW/g



0 dB = 11.8mW/g

**Additional information:**

ambient temperature: 23.3°C; liquid temperature: 22.9°C

Date/Time: 04.10.2011 09:55:20 Date/Time: 04.10.2011 09:59:03

### System Performance Check-D900 body 2011-10-04

**DUT: Dipole 900 MHz; Type: D900V2; Serial: 102**

Communication System: CW; Frequency: 900 MHz; Duty Cycle: 1:1

Medium: M900 Medium parameters used:  $f = 900 \text{ MHz}$ ;  $\sigma = 1.05 \text{ mho/m}$ ;  $\epsilon_r = 54.1$ ;  $\rho = 1000 \text{ kg/m}^3$

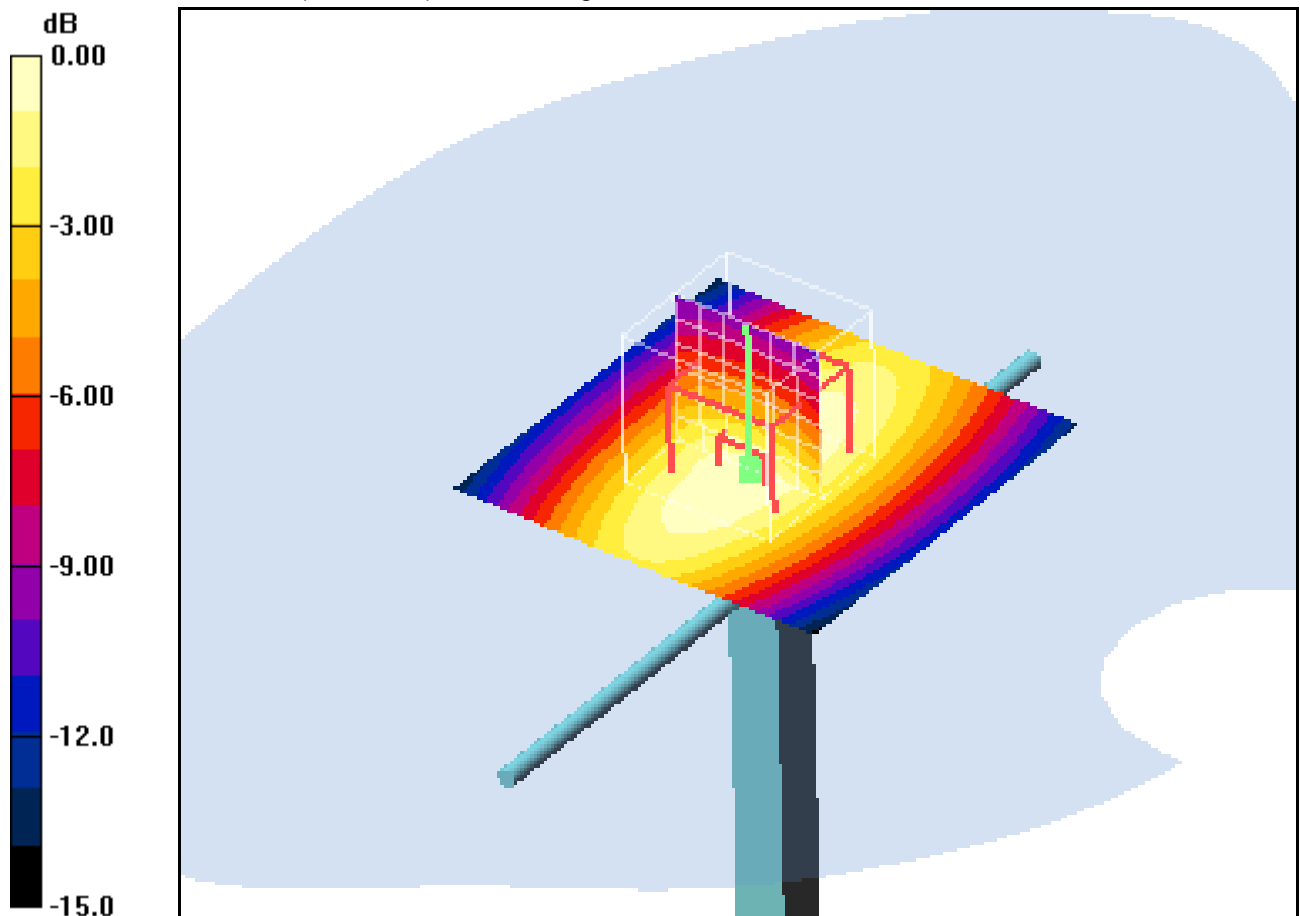
Phantom section: Flat Section

DASY4 Configuration:

- Probe: ET3DV6 - SN1558; ConvF(5.77, 5.77, 5.77); Calibrated: 23.08.2011
- Sensor-Surface: 4mm (Mechanical And Optical Surface Detection)
- Electronics: DAE3 Sn413; Calibrated: 13.01.2011
- Phantom: SAM 12; Type: SAM; Serial: 1043
- Measurement SW: DASY4, V4.5 Build 19; Postprocessing SW: SEMCAD, V1.8 Build 146

**d=15mm, Pin=1000mW/Area Scan (51x51x1):** Measurement grid:  $dx=15\text{mm}$ ,  $dy=15\text{mm}$   
 Maximum value of SAR (interpolated) = 11.9 mW/g

**d=15mm, Pin=1000mW/Zoom Scan (7x7x7) (7x7x7)/Cube 0:** Measurement grid:  
 $dx=5\text{mm}$ ,  $dy=5\text{mm}$ ,  $dz=5\text{mm}$   
 Reference Value = 112.4 V/m; Power Drift = -0.023 dB  
 Peak SAR (extrapolated) = 16.0 W/kg  
**SAR(1 g) = 11.1 mW/g; SAR(10 g) = 7.2 mW/g**  
 Maximum value of SAR (measured) = 12.1 mW/g



0 dB = 12.1mW/g

**Additional information:**

ambient temperature: 22.7°C; liquid temperature: 22.6°C

Date/Time: 26.09.2011 09:14:12 Date/Time: 26.09.2011 09:17:52

### System Performance Check-D1800 body 2011-09-26

**DUT: Dipole 1800 MHz; Type: D1800V2; Serial: 287**

Communication System: CW; Frequency: 1800 MHz; Duty Cycle: 1:1

Medium: M1800 Medium parameters used:  $f = 1800 \text{ MHz}$ ;  $\sigma = 1.54 \text{ mho/m}$ ;  $\epsilon_r = 52.8$ ;  $\rho = 1000 \text{ kg/m}^3$

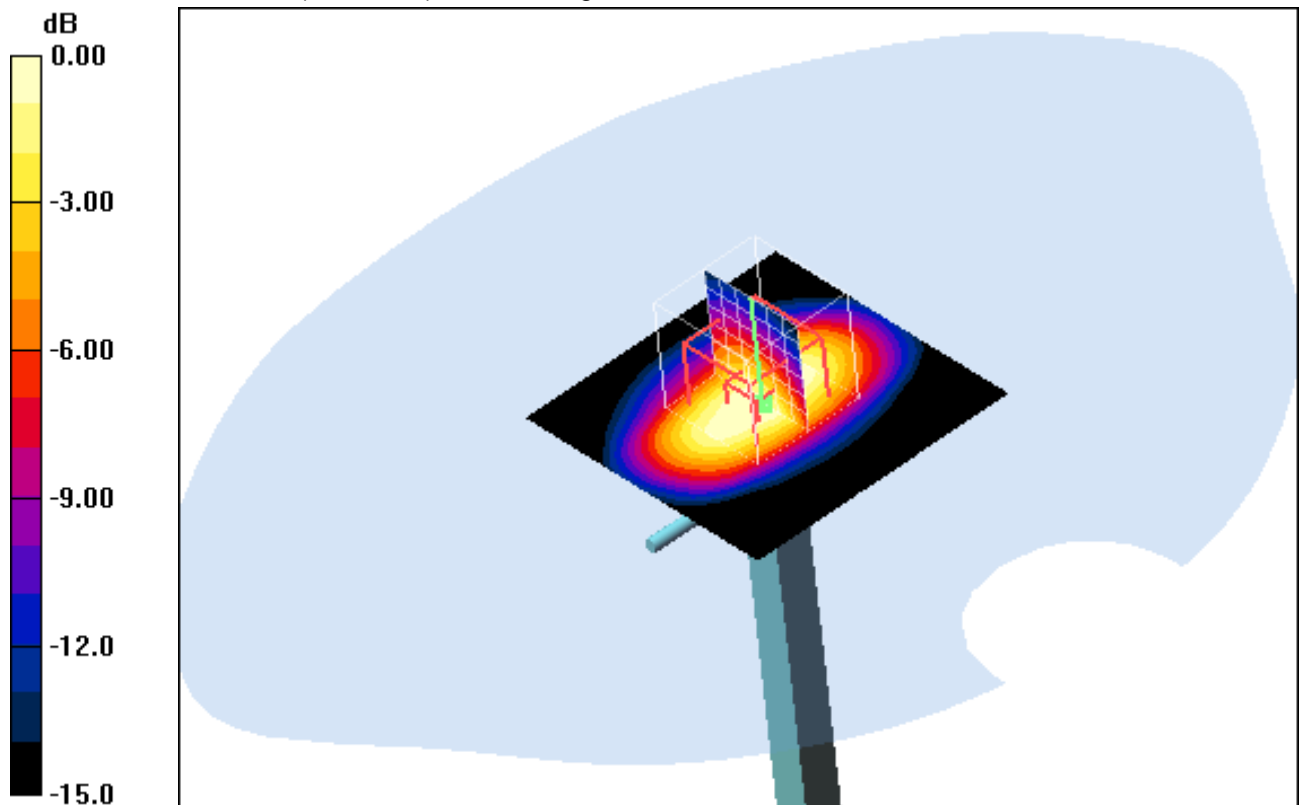
Phantom section: Flat Section

DASY4 Configuration:

- Probe: ET3DV6 - SN1559; ConvF(4.68, 4.68, 4.68); Calibrated: 19.01.2011
- Sensor-Surface: 4mm (Mechanical And Optical Surface Detection)
- Electronics: DAE3 Sn477; Calibrated: 04.05.2011
- Phantom: SAM left; Type: SAM; Serial: 1041
- Measurement SW: DASY4, V4.7 Build 71; Postprocessing SW: SEMCAD, V1.8 Build 146

**d=10mm, Pin=1000mW/Area Scan (51x51x1):** Measurement grid: dx=15mm, dy=15mm  
 Maximum value of SAR (interpolated) = 53.8 mW/g

**d=10mm, Pin=1000mW/Zoom Scan (7x7x7) (7x7x7)/Cube 0:** Measurement grid:  
 dx=5mm, dy=5mm, dz=5mm  
 Reference Value = 189.6 V/m; Power Drift = -0.167 dB  
 Peak SAR (extrapolated) = 63.5 W/kg  
**SAR(1 g) = 38.6 mW/g; SAR(10 g) = 21 mW/g**  
 Maximum value of SAR (measured) = 44.1 mW/g



0 dB = 44.1mW/g

**Additional information:**

ambient temperature: 21.0°C; liquid temperature: 21.0°C

Date/Time: 28.09.2011 09:12:24 Date/Time: 28.09.2011 09:16:00

### System Performance Check-D1900 body 2011-09-28

**DUT: Dipole 1900 MHz; Type: D1900V2; Serial: 5d009**

Communication System: CW; Frequency: 1900 MHz; Duty Cycle: 1:1

Medium: M1900 Medium parameters used:  $f = 1900 \text{ MHz}$ ;  $\sigma = 1.51 \text{ mho/m}$ ;  $\epsilon_r = 52.6$ ;  $\rho = 1000 \text{ kg/m}^3$

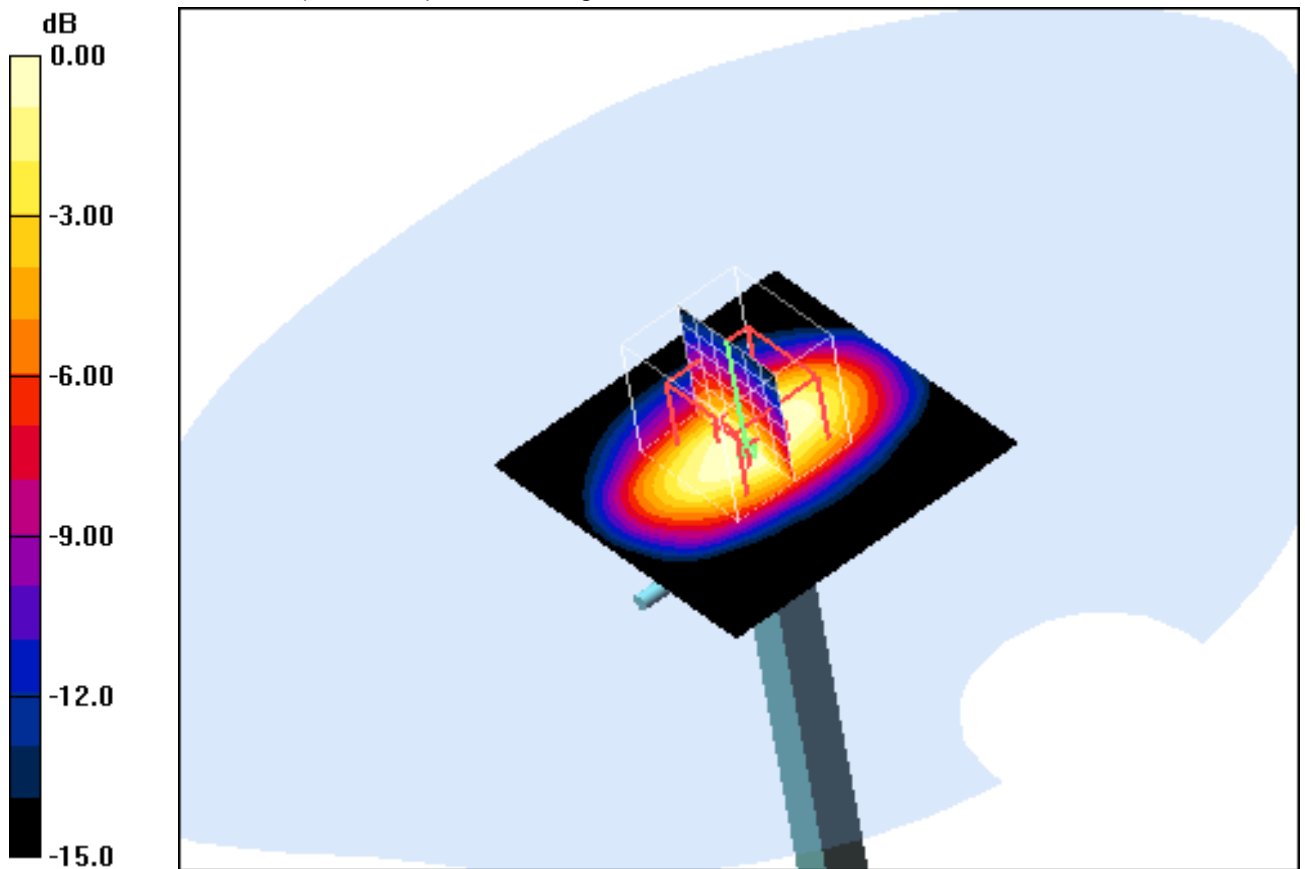
Phantom section: Flat Section

DASY4 Configuration:

- Probe: ET3DV6 - SN1558; ConvF(4.3, 4.3, 4.3); Calibrated: 23.08.2011
- Sensor-Surface: 4mm (Mechanical And Optical Surface Detection)
- Electronics: DAE3 Sn413; Calibrated: 13.01.2011
- Phantom: SAM 12; Type: SAM; Serial: 1043
- Measurement SW: DASY4, V4.5 Build 19; Postprocessing SW: SEMCAD, V1.8 Build 146

**d=10mm, Pin=1000mW/Area Scan (51x51x1):** Measurement grid: dx=15mm, dy=15mm  
 Maximum value of SAR (interpolated) = 55.7 mW/g

**d=10mm, Pin=1000mW/Zoom Scan (7x7x7) (7x7x7)/Cube 0:** Measurement grid:  
 dx=5mm, dy=5mm, dz=5mm  
 Reference Value = 183.1 V/m; Power Drift = 0.01 dB  
 Peak SAR (extrapolated) = 71.8 W/kg  
**SAR(1 g) = 41.6 mW/g; SAR(10 g) = 22.1 mW/g**  
 Maximum value of SAR (measured) = 47.1 mW/g



0 dB = 47.1mW/g

**Additional information:**

ambient temperature: 23.3°C; liquid temperature: 23.3°C

Date/Time: 29.09.2011 08:31:20 Date/Time: 29.09.2011 08:34:59

### System Performance Check-D1900 body 2011-09-29

**DUT: Dipole 1900 MHz; Type: D1900V2; Serial: 5d009**

Communication System: CW; Frequency: 1900 MHz; Duty Cycle: 1:1

Medium: M1900 Medium parameters used:  $f = 1900 \text{ MHz}$ ;  $\sigma = 1.51 \text{ mho/m}$ ;  $\epsilon_r = 52.6$ ;  $\rho = 1000 \text{ kg/m}^3$

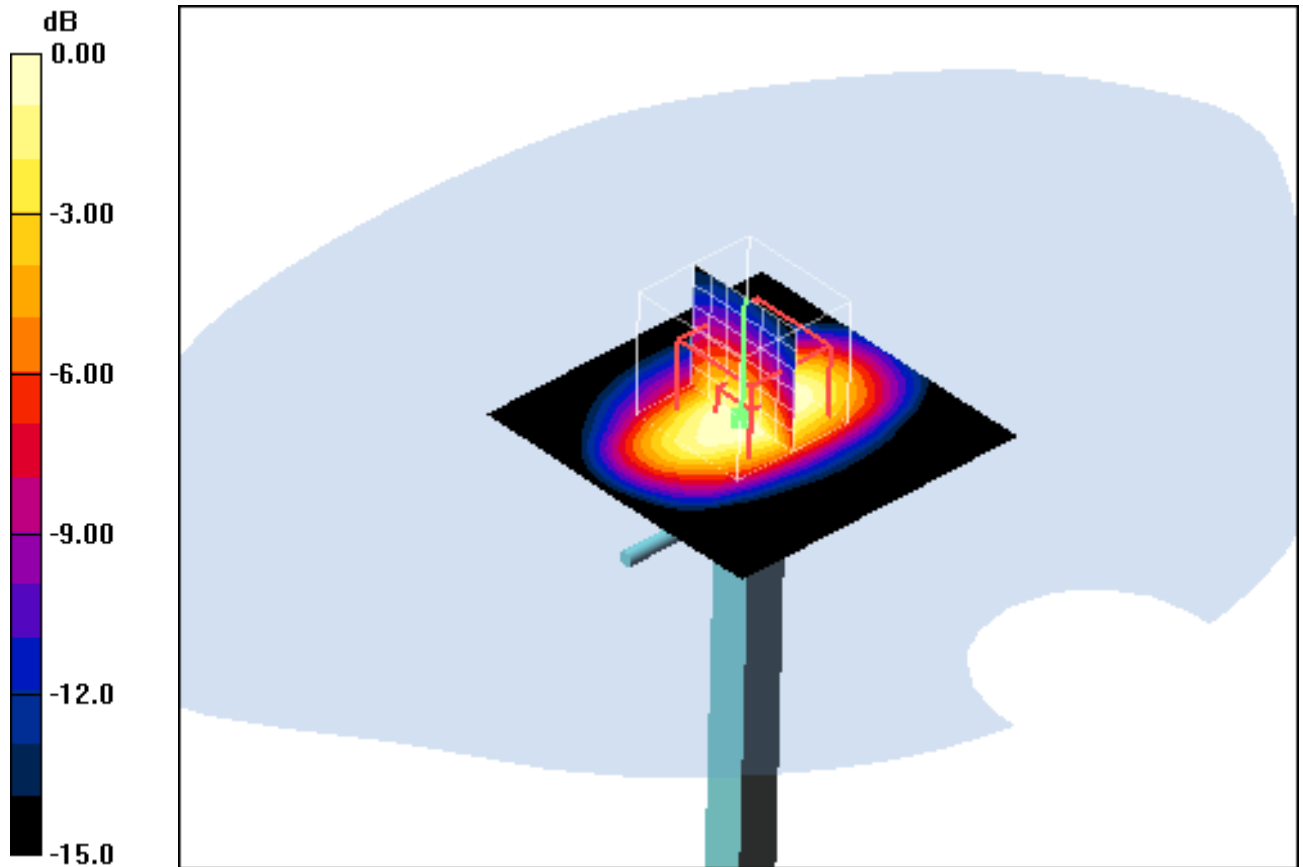
Phantom section: Flat Section

DASY4 Configuration:

- Probe: ET3DV6 - SN1558; ConvF(4.3, 4.3, 4.3); Calibrated: 23.08.2011
- Sensor-Surface: 4mm (Mechanical And Optical Surface Detection)
- Electronics: DAE3 Sn413; Calibrated: 13.01.2011
- Phantom: SAM 12; Type: SAM; Serial: 1043
- Measurement SW: DASY4, V4.5 Build 19; Postprocessing SW: SEMCAD, V1.8 Build 146

**d=10mm, Pin=1000mW/Area Scan (51x51x1):** Measurement grid: dx=15mm, dy=15mm  
 Maximum value of SAR (interpolated) = 56.8 mW/g

**d=10mm, Pin=1000mW/Zoom Scan (7x7x7) (7x7x7)/Cube 0:** Measurement grid:  
 dx=5mm, dy=5mm, dz=5mm  
 Reference Value = 183.1 V/m; Power Drift = -0.013 dB  
 Peak SAR (extrapolated) = 72.1 W/kg  
**SAR(1 g) = 41.5 mW/g; SAR(10 g) = 22 mW/g**  
 Maximum value of SAR (measured) = 47.0 mW/g



0 dB = 47.0mW/g

**Additional information:**

ambient temperature: 23.3°C; liquid temperature: 23.3°C

Date/Time: 29.09.2011 09:21:48 Date/Time: 29.09.2011 09:25:34

### System Performance Check-D2450 body 2011-09-29

**DUT: Dipole 2450 MHz; Type: D2450V2; Serial: 710**

Communication System: CW; Frequency: 2450 MHz; Duty Cycle: 1:1

Medium: M2450 Medium parameters used:  $f = 2450 \text{ MHz}$ ;  $\sigma = 1.99 \text{ mho/m}$ ;  $\epsilon_r = 51.7$ ;  $\rho = 1000 \text{ kg/m}^3$

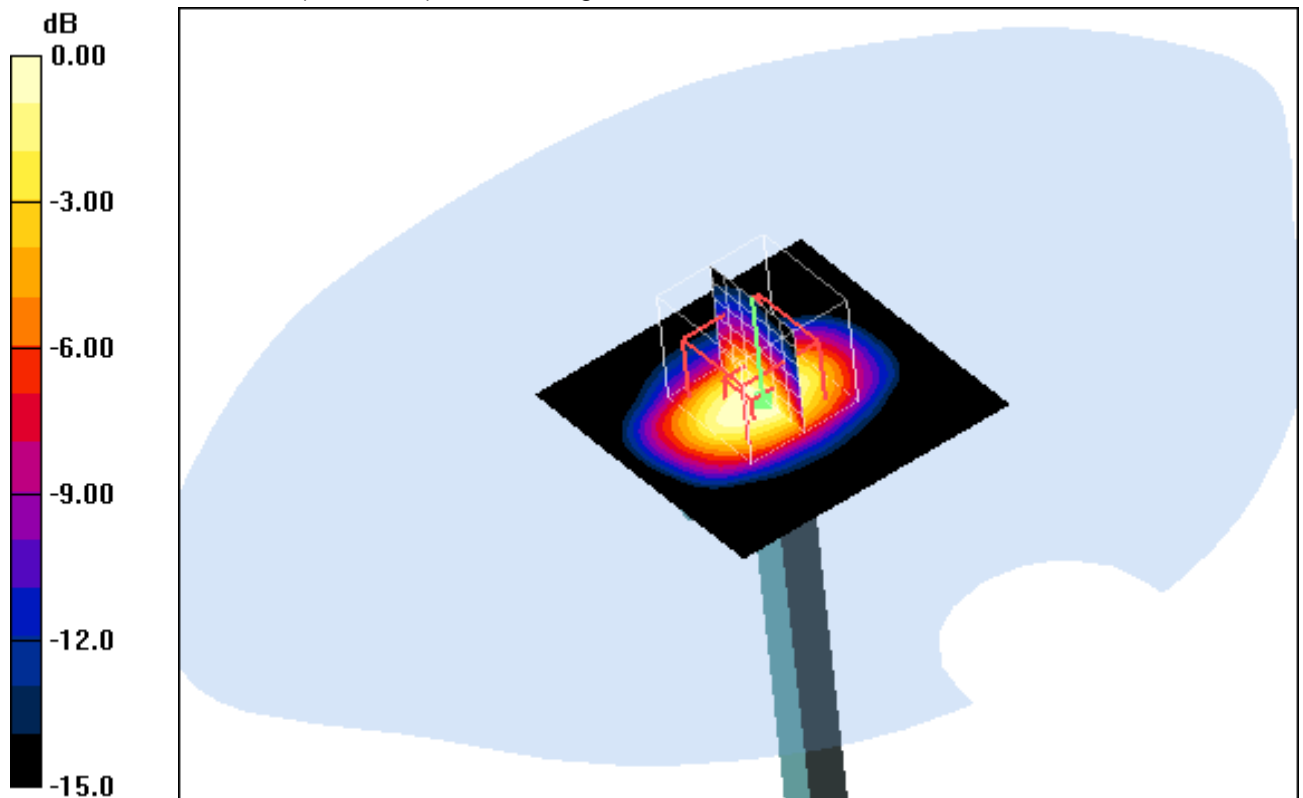
Phantom section: Flat Section

DASY4 Configuration:

- Probe: ET3DV6 - SN1559; ConvF(3.91, 3.91, 3.91); Calibrated: 19.01.2011
- Sensor-Surface: 4mm (Mechanical And Optical Surface Detection)
- Electronics: DAE3 Sn477; Calibrated: 04.05.2011
- Phantom: SAM right; Type: SAM; Serial: 1042
- Measurement SW: DASY4, V4.7 Build 71; Postprocessing SW: SEMCAD, V1.8 Build 146

**d=10mm, Pin=100mW/Area Scan (51x51x1):** Measurement grid:  $dx=15\text{mm}$ ,  $dy=15\text{mm}$   
 Maximum value of SAR (interpolated) = 7.05 mW/g

**d=10mm, Pin=100mW/Zoom Scan (7x7x7) (7x7x7)/Cube 0:** Measurement grid:  
 $dx=5\text{mm}$ ,  $dy=5\text{mm}$ ,  $dz=5\text{mm}$   
 Reference Value = 57.7 V/m; Power Drift = -0.105 dB  
 Peak SAR (extrapolated) = 9.92 W/kg  
**SAR(1 g) = 4.74 mW/g; SAR(10 g) = 2.36 mW/g**  
 Maximum value of SAR (measured) = 5.49 mW/g



0 dB = 5.49mW/g

**Additional information:**

ambient temperature: 23.8°C; liquid temperature: 23.3°C

**Annex B: DASY4 measurement results**

**Annex B.1: GSM 900MHz body**

Date/Time: 01.10.2011 20:47:34 Date/Time: 01.10.2011 20:56:22

**EN62209-2\_OET65-Body-GSM900 GPRS 2TS**

**DUT: RIM; Type: REC71UW; Serial: 004402241218688**

Communication System: GSM 900 GPRS 2TS; Frequency: 897.5 MHz; Duty Cycle: 1:4

Medium: M900 Medium parameters used (interpolated):  $f = 897.5 \text{ MHz}$ ;  $\sigma = 1.05 \text{ mho/m}$ ;  $\epsilon_r = 54.1$ ;  $\rho = 1000 \text{ kg/m}^3$

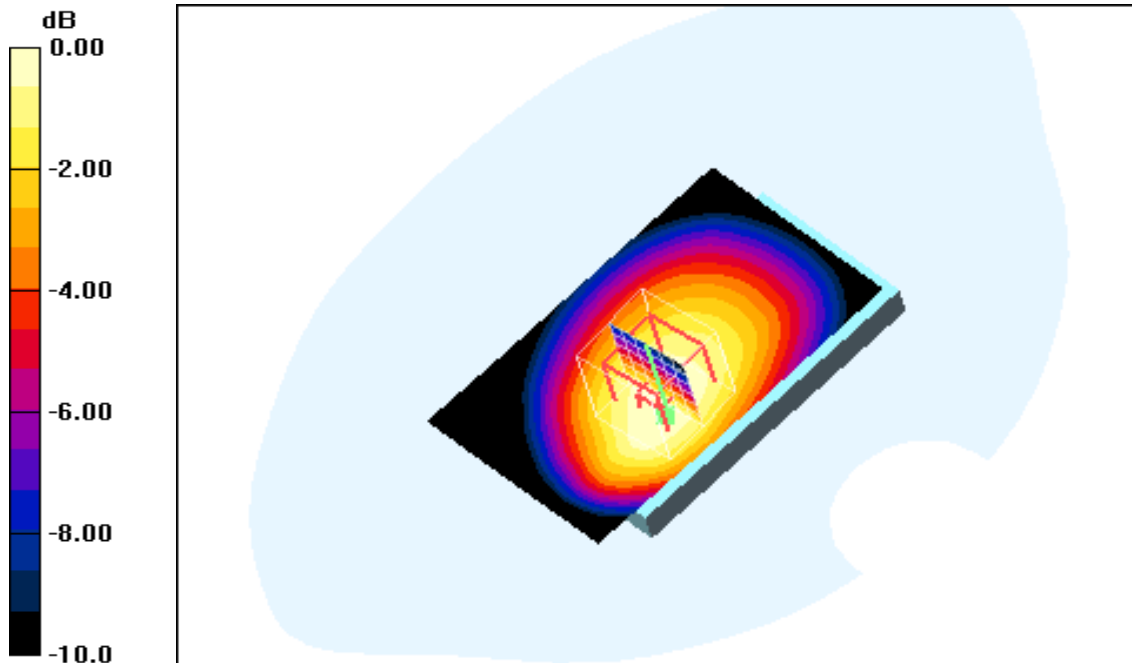
Phantom section: Flat Section

DASY4 Configuration:

- Probe: ET3DV6 - SN1558; ConvF(5.77, 5.77, 5.77); Calibrated: 23.08.2011
- Sensor-Surface: 4mm (Mechanical And Optical Surface Detection)
- Electronics: DAE3 Sn413; Calibrated: 13.01.2011
- Phantom: SAM 12; Type: SAM; Serial: 1043
- Measurement SW: DASY4, V4.5 Build 19; Postprocessing SW: SEMCAD, V1.8 Build 146

**Front position - Middle/Area Scan (51x81x1):** Measurement grid:  $dx=15\text{mm}$ ,  $dy=15\text{mm}$   
 Maximum value of SAR (interpolated) = 1.22 mW/g

**Front position - Middle/Zoom Scan (7x7x7) (7x7x7)/Cube 0:** Measurement grid:  
 $dx=5\text{mm}$ ,  $dy=5\text{mm}$ ,  $dz=5\text{mm}$   
 Reference Value = 34.4 V/m; Power Drift = -0.01 dB  
 Peak SAR (extrapolated) = 1.55 W/kg  
**SAR(1 g) = 1.11 mW/g; SAR(10 g) = 0.775 mW/g**  
 Maximum value of SAR (measured) = 1.19 mW/g



0 dB = 1.19mW/g

**Additional information:**

position or distance of DUT to SAM : 10mm  
 ambient temperature: 23.6°C; liquid temperature: 22.3°C



Date/Time: 04.10.2011 17:22:58 Date/Time: 04.10.2011 17:31:20

**EN62209-2\_OET65-Body-GSM900 GPRS 2TS**

**DUT: RIM; Type: REC71UW; Serial: 004402241218688**

Communication System: GSM 900 GPRS 2TS; Frequency: 880.2 MHz; Duty Cycle: 1:4

Medium: M900 Medium parameters used:  $f = 880.2 \text{ MHz}$ ;  $\sigma = 1.03 \text{ mho/m}$ ;  $\epsilon_r = 54.3$ ;  $\rho = 1000 \text{ kg/m}^3$

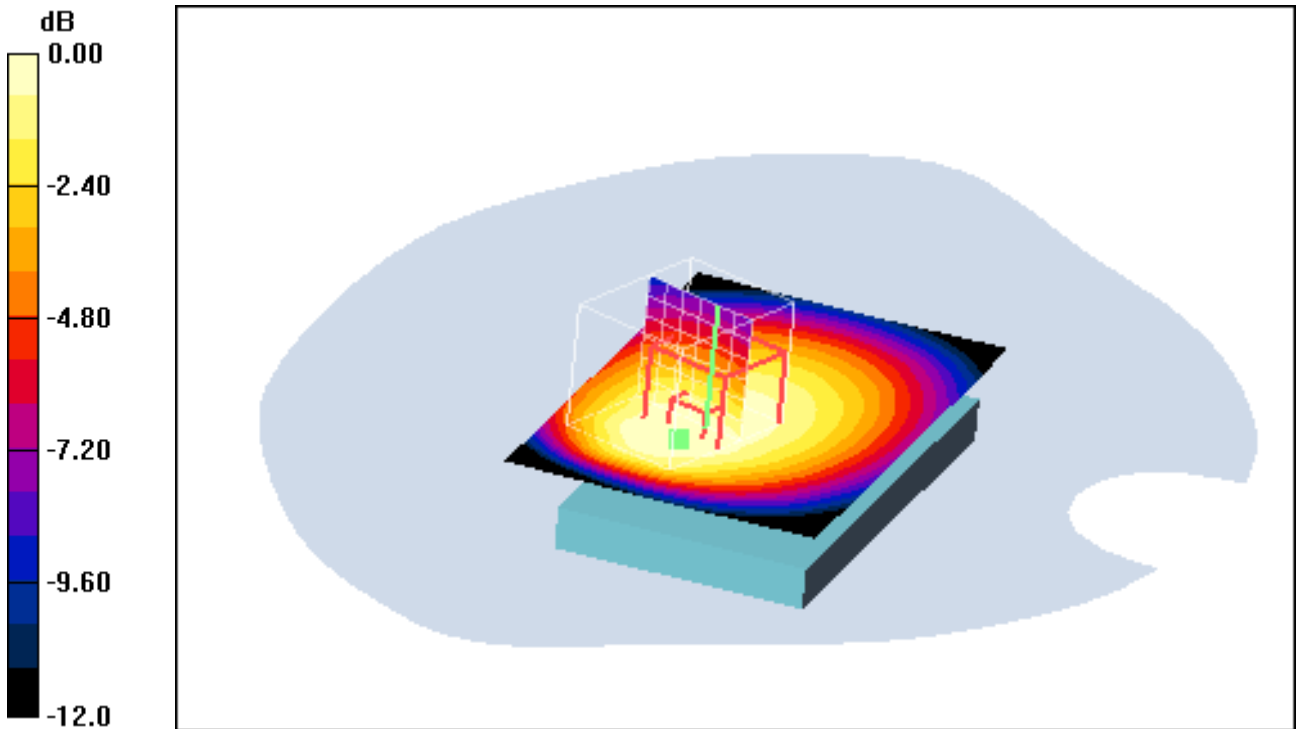
Phantom section: Flat Section

DASY4 Configuration:

- Probe: ET3DV6 - SN1558; ConvF(5.77, 5.77, 5.77); Calibrated: 23.08.2011
- Sensor-Surface: 4mm (Mechanical And Optical Surface Detection)
- Electronics: DAE3 Sn413; Calibrated: 13.01.2011
- Phantom: SAM 12; Type: SAM; Serial: 1043
- Measurement SW: DASY4, V4.5 Build 19; Postprocessing SW: SEMCAD, V1.8 Build 146

**Rear position - Low/Area Scan (51x81x1):** Measurement grid:  $dx=15\text{mm}$ ,  $dy=15\text{mm}$   
 Maximum value of SAR (interpolated) = 1.22 mW/g

**Rear position - Low/Zoom Scan (7x7x7) (7x9x7)/Cube 0:** Measurement grid:  
 $dx=5\text{mm}$ ,  $dy=5\text{mm}$ ,  $dz=5\text{mm}$   
 Reference Value = 35.1 V/m; Power Drift = 0.027 dB  
 Peak SAR (extrapolated) = 1.87 W/kg  
**SAR(1 g) = 1.09 mW/g; SAR(10 g) = 0.789 mW/g**  
 Maximum value of SAR (measured) = 1.15 mW/g



0 dB = 1.15mW/g

**Additional information:**

position or distance of DUT to SAM : 10mm

ambient temperature: 23.6°C; liquid temperature: 22.3°C

Date/Time: 04.10.2011 16:56:03 Date/Time: 04.10.2011 17:03:46

**EN62209-2\_OET65-Body-GSM900 GPRS 2TS**

**DUT: RIM; Type: REC71UW; Serial: 004402241218688**

Communication System: GSM 900 GPRS 2TS; Frequency: 897.5 MHz; Duty Cycle: 1:4

Medium: M900 Medium parameters used (interpolated):  $f = 897.5 \text{ MHz}$ ;  $\sigma = 1.05 \text{ mho/m}$ ;  $\epsilon_r = 54.1$ ;  $\rho = 1000 \text{ kg/m}^3$

Phantom section: Flat Section

DASY4 Configuration:

- Probe: ET3DV6 - SN1558; ConvF(5.77, 5.77, 5.77); Calibrated: 23.08.2011
- Sensor-Surface: 4mm (Mechanical And Optical Surface Detection)
- Electronics: DAE3 Sn413; Calibrated: 13.01.2011
- Phantom: SAM 12; Type: SAM; Serial: 1043
- Measurement SW: DASY4, V4.5 Build 19; Postprocessing SW: SEMCAD, V1.8 Build 146

**Rear position - Middle/Area Scan (51x81x1):** Measurement grid:  $dx=15\text{mm}$ ,  $dy=15\text{mm}$

Maximum value of SAR (interpolated) = 1.21 mW/g

**Rear position - Middle/Zoom Scan (7x7x7) (7x9x7)/Cube 0:** Measurement grid:

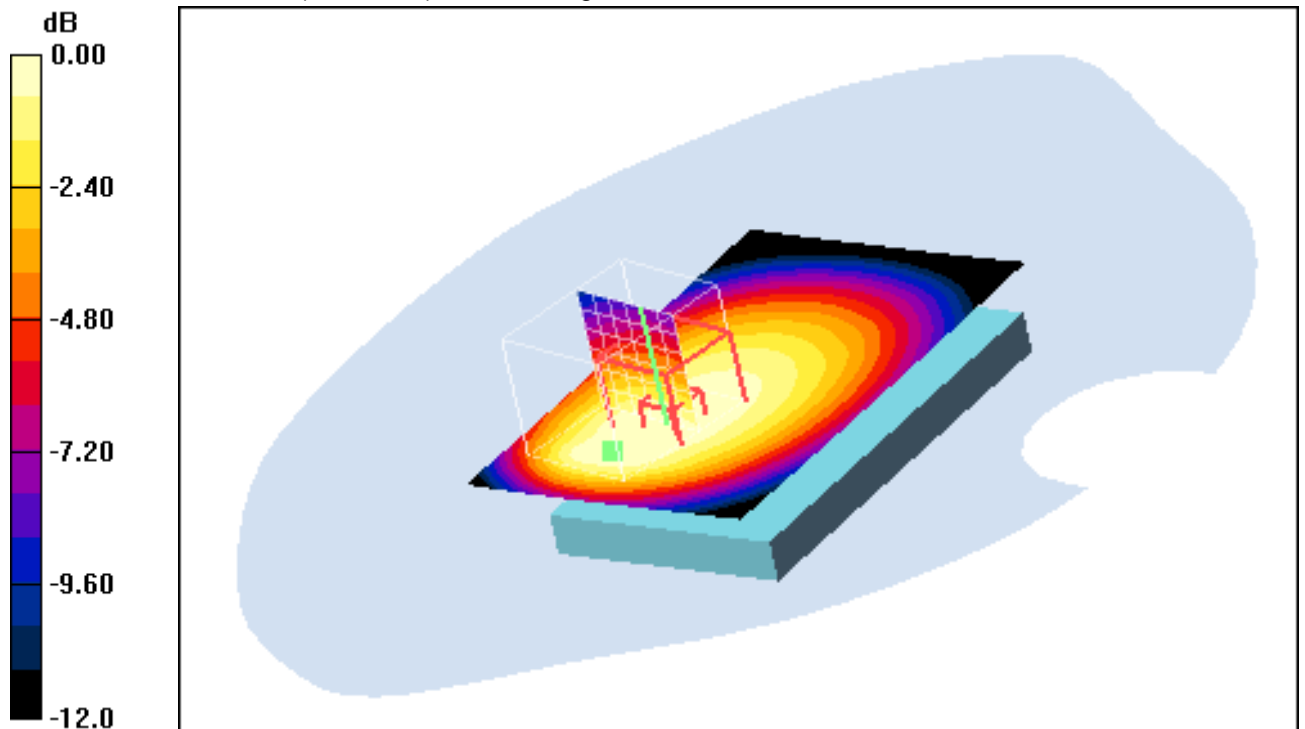
$dx=5\text{mm}$ ,  $dy=5\text{mm}$ ,  $dz=5\text{mm}$

Reference Value = 34.7 V/m; Power Drift = -0.129 dB

Peak SAR (extrapolated) = 1.76 W/kg

**SAR(1 g) = 1.09 mW/g; SAR(10 g) = 0.787 mW/g**

Maximum value of SAR (measured) = 1.17 mW/g



0 dB = 1.17mW/g

**Additional information:**

position or distance of DUT to SAM : 10mm

ambient temperature: 23.6°C; liquid temperature: 22.3°C

Date/Time: 04.10.2011 17:52:36 Date/Time: 04.10.2011 17:59:18

**EN62209-2\_OET65-Body-GSM900 GPRS 2TS**

**DUT: RIM; Type: REC71UW; Serial: 004402241218688**

Communication System: GSM 900 GPRS 2TS; Frequency: 914.8 MHz; Duty Cycle: 1:4

Medium: M900 Medium parameters used:  $f = 914.8 \text{ MHz}$ ;  $\sigma = 1.06 \text{ mho/m}$ ;  $\epsilon_r = 53.9$ ;  $\rho = 1000 \text{ kg/m}^3$

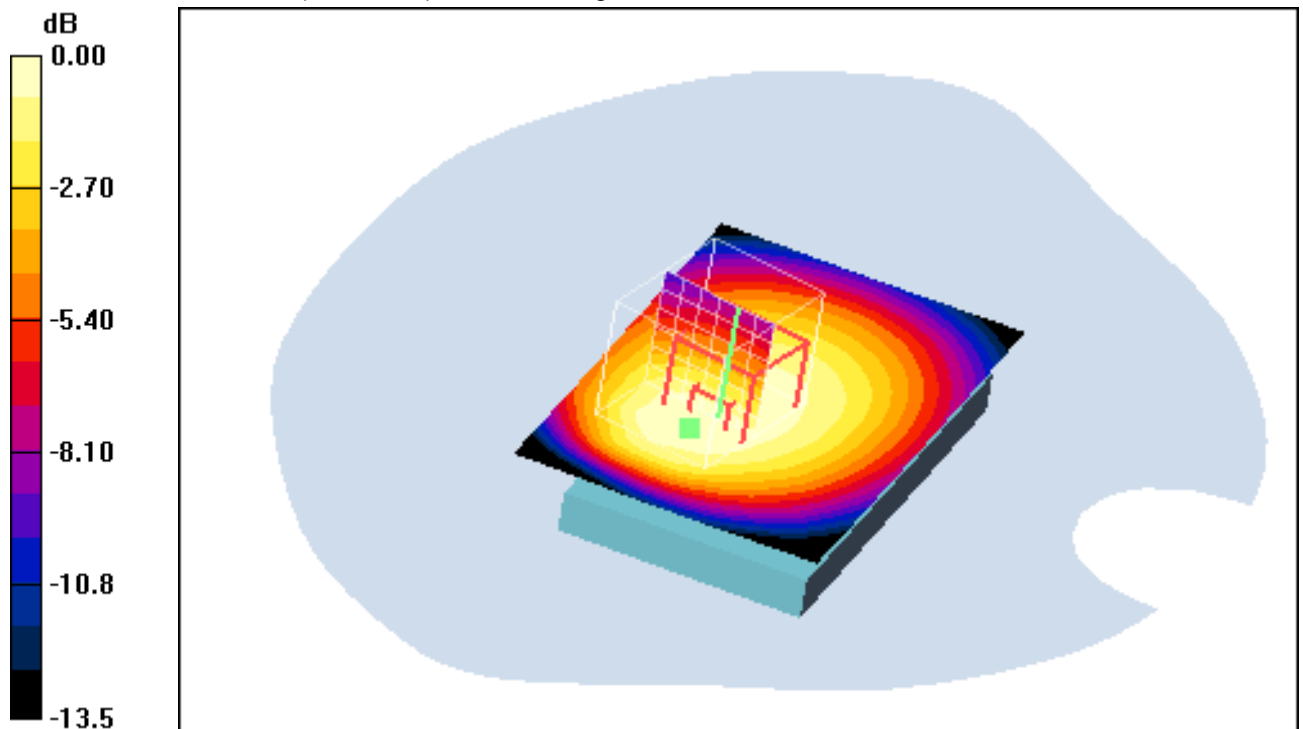
Phantom section: Flat Section

DASY4 Configuration:

- Probe: ET3DV6 - SN1558; ConvF(5.77, 5.77, 5.77); Calibrated: 23.08.2011
- Sensor-Surface: 4mm (Mechanical And Optical Surface Detection)
- Electronics: DAE3 Sn413; Calibrated: 13.01.2011
- Phantom: SAM 12; Type: SAM; Serial: 1043
- Measurement SW: DASY4, V4.5 Build 19; Postprocessing SW: SEMCAD, V1.8 Build 146

**Rear position - High/Area Scan (51x81x1):** Measurement grid:  $dx=15\text{mm}$ ,  $dy=15\text{mm}$   
 Maximum value of SAR (interpolated) = 0.782 mW/g

**Rear position - High/Zoom Scan (7x7x7) (7x9x7)/Cube 0:** Measurement grid:  
 $dx=5\text{mm}$ ,  $dy=5\text{mm}$ ,  $dz=5\text{mm}$   
 Reference Value = 28.4 V/m; Power Drift = 0.029 dB  
 Peak SAR (extrapolated) = 1.13 W/kg  
**SAR(1 g) = 0.737 mW/g; SAR(10 g) = 0.533 mW/g**  
 Maximum value of SAR (measured) = 0.777 mW/g



0 dB = 0.777mW/g

**Additional information:**

position or distance of DUT to SAM : 10mm

ambient temperature: 23.6°C; liquid temperature: 22.3°C

Date/Time: 02.10.2011 18:03:49 Date/Time: 02.10.2011 18:27:30

**EN62209-2\_OET65-Body-GSM900 GPRS 2TS**

**DUT: RIM; Type: REC71UW; Serial: 004402241218688**

Communication System: GSM 900 GPRS 2TS; Frequency: 897.5 MHz; Duty Cycle: 1:4

Medium: M900 Medium parameters used (interpolated):  $f = 897.5$  MHz;  $\sigma = 1.05$  mho/m;  $\epsilon_r = 54.1$ ;  $\rho = 1000$  kg/m<sup>3</sup>

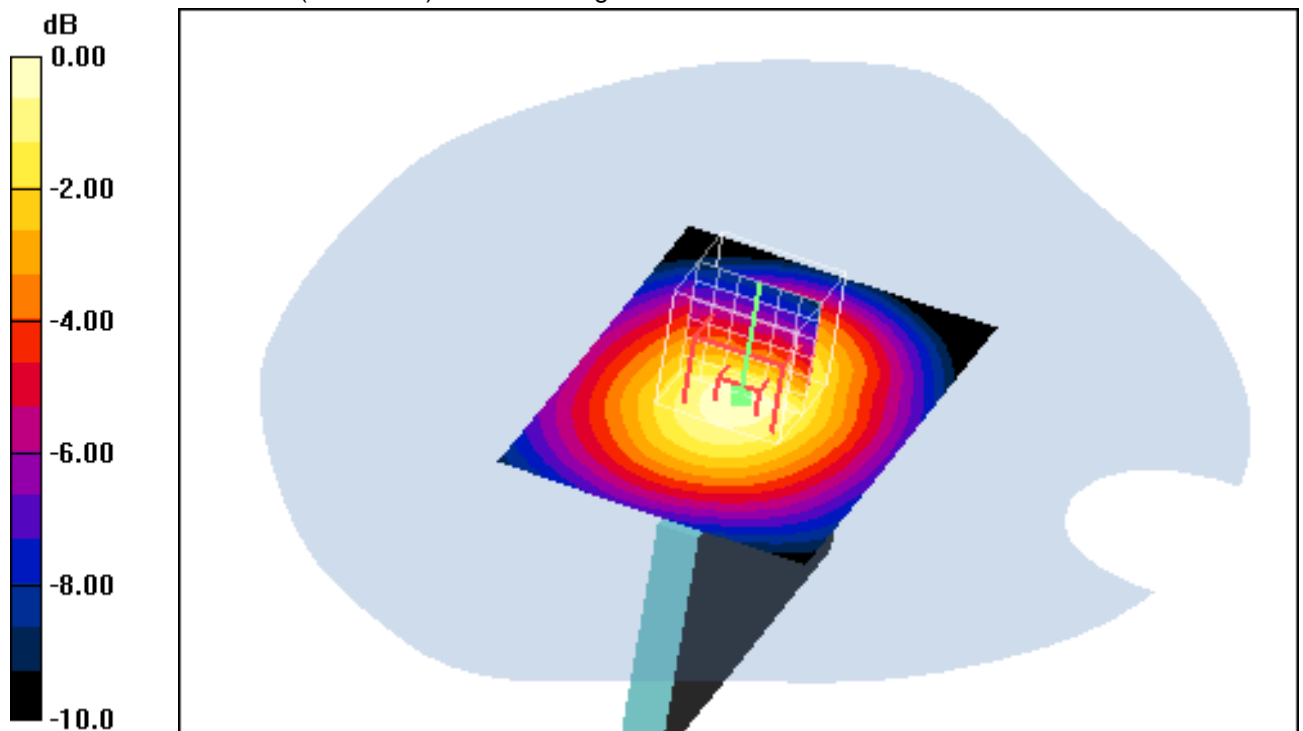
Phantom section: Flat Section

DASY4 Configuration:

- Probe: ET3DV6 - SN1558; ConvF(5.77, 5.77, 5.77); Calibrated: 23.08.2011
- Sensor-Surface: 4mm (Mechanical And Optical Surface Detection)
- Electronics: DAE3 Sn413; Calibrated: 13.01.2011
- Phantom: SAM 12; Type: SAM; Serial: 1043
- Measurement SW: DASY4, V4.5 Build 19; Postprocessing SW: SEMCAD, V1.8 Build 146

**Edge left position - Middle/Area Scan (51x81x1):** Measurement grid: dx=15mm, dy=15mm  
 Maximum value of SAR (interpolated) = 0.368 mW/g

**Edge left position - Middle/Zoom Scan (7x7x7) (7x7x7)/Cube 0:** Measurement grid: dx=5mm, dy=5mm, dz=5mm  
 Reference Value = 19.6 V/m; Power Drift = -0.159 dB  
 Peak SAR (extrapolated) = 0.501 W/kg  
**SAR(1 g) = 0.358 mW/g; SAR(10 g) = 0.245 mW/g**  
 Maximum value of SAR (measured) = 0.385 mW/g



0 dB = 0.385mW/g

**Additional information:**

position or distance of DUT to SAM : 10mm

ambient temperature: 23.6°C; liquid temperature: 22.3°C

Date/Time: 02.10.2011 18:40:56 Date/Time: 02.10.2011 18:48:23

**EN62209-2\_OET65-Body-GSM900 GPRS 2TS**

**DUT: RIM; Type: REC71UW; Serial: 004402241218688**

Communication System: GSM 900 GPRS 2TS; Frequency: 897.5 MHz; Duty Cycle: 1:4

Medium: M900 Medium parameters used (interpolated):  $f = 897.5$  MHz;  $\sigma = 1.05$  mho/m;  $\epsilon_r = 54.1$ ;  $\rho = 1000$  kg/m<sup>3</sup>

Phantom section: Flat Section

DASY4 Configuration:

- Probe: ET3DV6 - SN1558; ConvF(5.77, 5.77, 5.77); Calibrated: 23.08.2011
- Sensor-Surface: 4mm (Mechanical And Optical Surface Detection)
- Electronics: DAE3 Sn413; Calibrated: 13.01.2011
- Phantom: SAM 12; Type: SAM; Serial: 1043
- Measurement SW: DASY4, V4.5 Build 19; Postprocessing SW: SEMCAD, V1.8 Build 146

**Edge right position - Middle/Area Scan (51x81x1):** Measurement grid: dx=15mm, dy=15mm

Maximum value of SAR (interpolated) = 0.765 mW/g

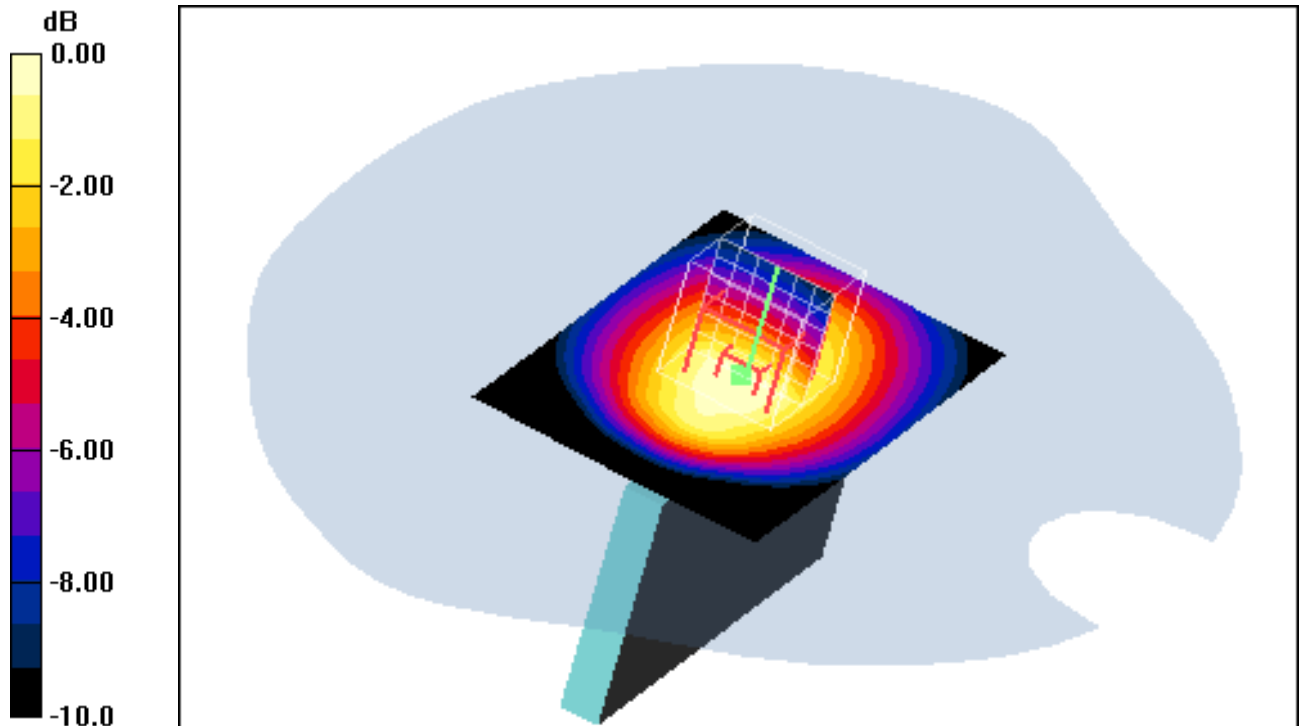
**Edge right position - Middle/Zoom Scan (7x7x7) (7x7x7)/Cube 0:** Measurement grid: dx=5mm, dy=5mm, dz=5mm

Reference Value = 27.0 V/m; Power Drift = -0.013 dB

Peak SAR (extrapolated) = 0.971 W/kg

**SAR(1 g) = 0.704 mW/g; SAR(10 g) = 0.478 mW/g**

Maximum value of SAR (measured) = 0.755 mW/g



0 dB = 0.755mW/g

**Additional information:**

position or distance of DUT to SAM : 10mm

ambient temperature: 23.6°C; liquid temperature: 22.3°C

Date/Time: 02.10.2011 15:19:06 Date/Time: 02.10.2011 16:11:44

**EN62209-2\_OET65-Body-GSM900 GPRS 2TS**

**DUT: RIM; Type: REC71UW; Serial: 004402241218688**

Communication System: GSM 900 GPRS 2TS; Frequency: 897.5 MHz; Duty Cycle: 1:4

Medium: M900 Medium parameters used (interpolated):  $f = 897.5$  MHz;  $\sigma = 1.05$  mho/m;  $\epsilon_r = 54.1$ ;  $\rho = 1000$  kg/m<sup>3</sup>

Phantom section: Flat Section

DASY4 Configuration:

- Probe: ET3DV6 - SN1558; ConvF(5.77, 5.77, 5.77); Calibrated: 23.08.2011
- Sensor-Surface: 4mm (Mechanical And Optical Surface Detection)
- Electronics: DAE3 Sn413; Calibrated: 13.01.2011
- Phantom: SAM 12; Type: SAM; Serial: 1043
- Measurement SW: DASY4, V4.5 Build 19; Postprocessing SW: SEMCAD, V1.8 Build 146

**Edge bottom position - Middle/Area Scan (61x61x1):** Measurement grid: dx=15mm, dy=15mm

Maximum value of SAR (interpolated) = 0.417 mW/g

**Edge bottom position - Middle/Zoom Scan (7x7x7) (8x7x7)/Cube 0:**

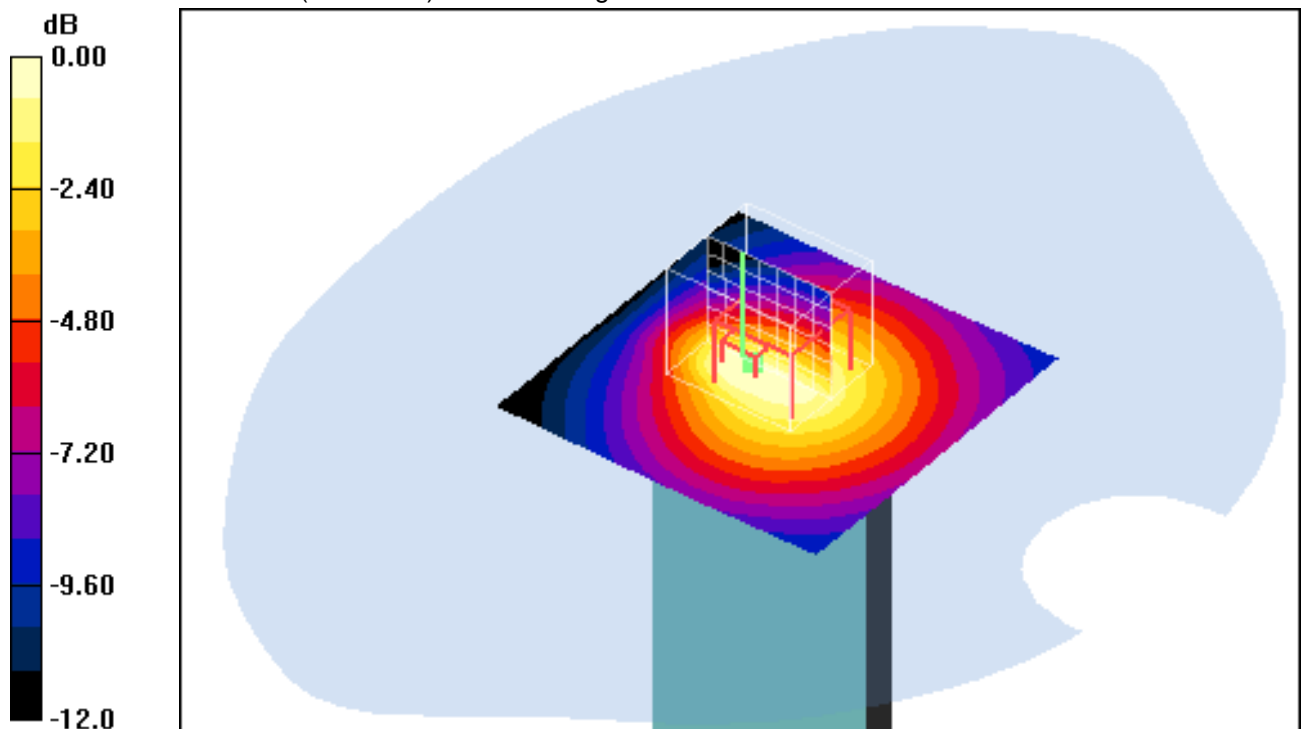
Measurement grid: dx=5mm, dy=5mm, dz=5mm

Reference Value = 18.3 V/m; Power Drift = -0.045 dB

Peak SAR (extrapolated) = 0.711 W/kg

**SAR(1 g) = 0.335 mW/g; SAR(10 g) = 0.206 mW/g**

Maximum value of SAR (measured) = 0.366 mW/g



0 dB = 0.366mW/g

**Additional information:**

position or distance of DUT to SAM : 10mm

ambient temperature: 23.6°C; liquid temperature: 22.3°C

**Annex B.2: GSM 1800MHz body**

Date/Time: 26.09.2011 18:04:16 Date/Time: 26.09.2011 18:09:42

**EN62209-2\_OET65-Body-GSM1800 GPRS 2TS**

**DUT: RIM; Type: REC71UW; Serial: 004402241218688**

Communication System: GSM 1800 GPRS 2TS; Frequency: 1747.4 MHz; Duty Cycle: 1:4

Medium: M1800 Medium parameters used:  $f = 1747.4 \text{ MHz}$ ;  $\sigma = 1.48 \text{ mho/m}$ ;  $\epsilon_r = 53$ ;  $\rho = 1000 \text{ kg/m}^3$

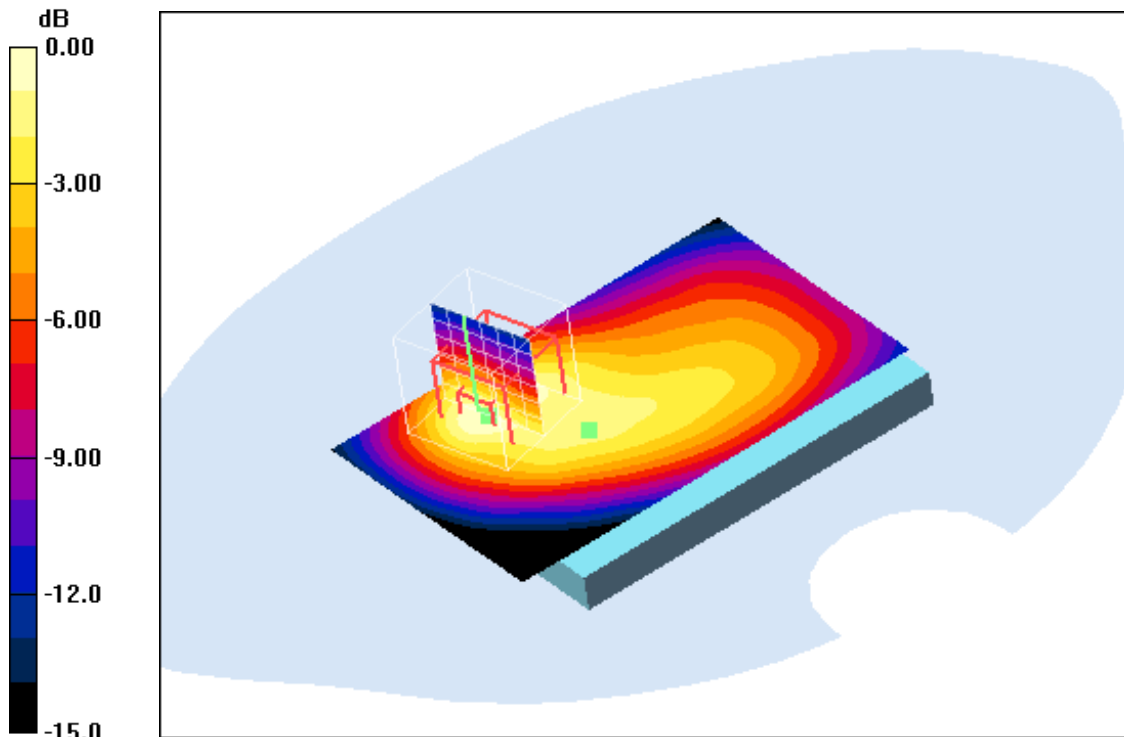
Phantom section: Flat Section

DASY4 Configuration:

- Probe: ET3DV6 - SN1559; ConvF(4.68, 4.68, 4.68); Calibrated: 19.01.2011
- Sensor-Surface: 4mm (Mechanical And Optical Surface Detection)
- Electronics: DAE3 Sn477; Calibrated: 04.05.2011
- Phantom: SAM left; Type: SAM; Serial: 1041
- Measurement SW: DASY4, V4.7 Build 71; Postprocessing SW: SEMCAD, V1.8 Build 146

**Front position - Middle/Area Scan (51x81x1):** Measurement grid:  $dx=15\text{mm}$ ,  $dy=15\text{mm}$   
 Maximum value of SAR (interpolated) = 0.525 mW/g

**Front position - Middle/Zoom Scan (7x7x7) (7x7x7)/Cube 0:** Measurement grid:  
 $dx=5\text{mm}$ ,  $dy=5\text{mm}$ ,  $dz=5\text{mm}$   
 Reference Value = 18.7 V/m; Power Drift = -0.088 dB  
 Peak SAR (extrapolated) = 0.678 W/kg  
**SAR(1 g) = 0.435 mW/g; SAR(10 g) = 0.253 mW/g**  
 Maximum value of SAR (measured) = 0.487 mW/g



0 dB = 0.487mW/g

**Additional information:**

position or distance of DUT to SAM: 10 mm  
 ambient temperature: 23.8°C; liquid temperature: 21.9°C

Date/Time: 26.09.2011 20:08:39 Date/Time: 26.09.2011 20:14:28

**EN62209-2\_OET65-Body-GSM1800 GPRS 2TS**

**DUT: RIM; Type: REC71UW; Serial: 004402241218688**

Communication System: GSM 1800 GPRS 2TS; Frequency: 1710.2 MHz; Duty Cycle: 1:4

Medium: M1800 Medium parameters used:  $f = 1710.2 \text{ MHz}$ ;  $\sigma = 1.44 \text{ mho/m}$ ;  $\epsilon_r = 53.1$ ;  $\rho = 1000 \text{ kg/m}^3$

Phantom section: Flat Section

DASY4 Configuration:

- Probe: ET3DV6 - SN1559; ConvF(4.68, 4.68, 4.68); Calibrated: 19.01.2011
- Sensor-Surface: 4mm (Mechanical And Optical Surface Detection)
- Electronics: DAE3 Sn477; Calibrated: 04.05.2011
- Phantom: SAM left; Type: SAM; Serial: 1041
- Measurement SW: DASY4, V4.7 Build 71; Postprocessing SW: SEMCAD, V1.8 Build 146

**Rear position - Low/Area Scan (51x81x1):** Measurement grid:  $dx=15\text{mm}$ ,  $dy=15\text{mm}$

Maximum value of SAR (interpolated) = 0.832 mW/g

**Rear position - Low/Zoom Scan (7x7x7) (8x7x7)/Cube 0:** Measurement grid:

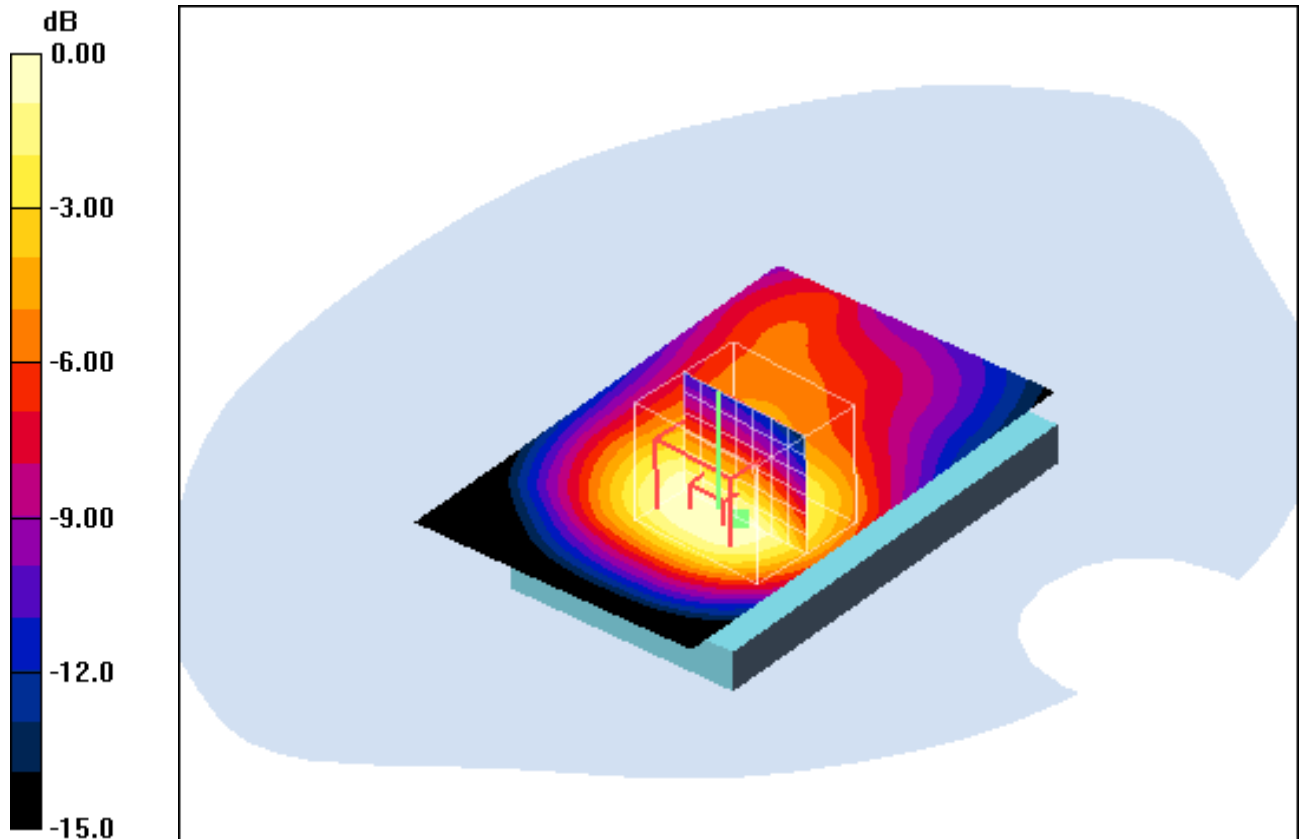
$dx=5\text{mm}$ ,  $dy=5\text{mm}$ ,  $dz=5\text{mm}$

Reference Value = 20.0 V/m; Power Drift = -0.103 dB

Peak SAR (extrapolated) = 1.03 W/kg

**SAR(1 g) = 0.726 mW/g; SAR(10 g) = 0.461 mW/g**

Maximum value of SAR (measured) = 0.795 mW/g



0 dB = 0.795mW/g

**Additional information:**

position or distance of DUT to SAM: 10 mm

ambient temperature: 23.8°C; liquid temperature: 21.9°C



Date/Time: 26.09.2011 18:25:37 Date/Time: 26.09.2011 18:33:01

**EN62209-2\_OET65-Body-GSM1800 GPRS 2TS**

**DUT: RIM; Type: REC71UW; Serial: 004402241218688**

Communication System: GSM 1800 GPRS 2TS; Frequency: 1747.4 MHz; Duty Cycle: 1:4

Medium: M1800 Medium parameters used:  $f = 1747.4 \text{ MHz}$ ;  $\sigma = 1.48 \text{ mho/m}$ ;  $\epsilon_r = 53$ ;  $\rho = 1000 \text{ kg/m}^3$

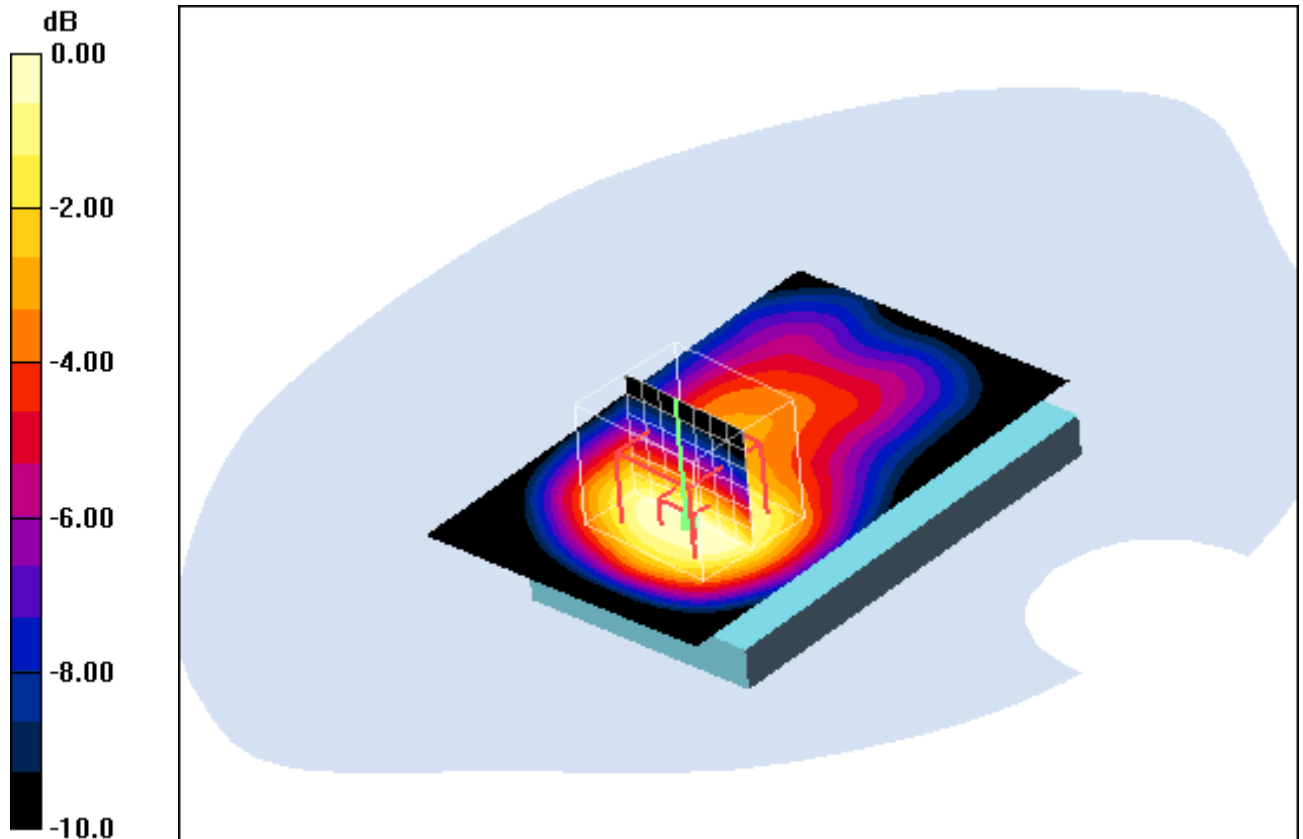
Phantom section: Flat Section

DASY4 Configuration:

- Probe: ET3DV6 - SN1559; ConvF(4.68, 4.68, 4.68); Calibrated: 19.01.2011
- Sensor-Surface: 4mm (Mechanical And Optical Surface Detection)
- Electronics: DAE3 Sn477; Calibrated: 04.05.2011
- Phantom: SAM left; Type: SAM; Serial: 1041
- Measurement SW: DASY4, V4.7 Build 71; Postprocessing SW: SEMCAD, V1.8 Build 146

**Rear position - Middle/Area Scan (51x81x1):** Measurement grid:  $dx=15\text{mm}$ ,  $dy=15\text{mm}$   
 Maximum value of SAR (interpolated) = 0.638 mW/g

**Rear position - Middle/Zoom Scan (7x7x7) (8x7x7)/Cube 0:** Measurement grid:  
 $dx=5\text{mm}$ ,  $dy=5\text{mm}$ ,  $dz=5\text{mm}$   
 Reference Value = 21.2 V/m; Power Drift = -0.141 dB  
 Peak SAR (extrapolated) = 0.769 W/kg  
**SAR(1 g) = 0.548 mW/g; SAR(10 g) = 0.352 mW/g**  
 Maximum value of SAR (measured) = 0.598 mW/g



0 dB = 0.598mW/g

**Additional information:**

position or distance of DUT to SAM: 10 mm

ambient temperature: 23.8°C; liquid temperature: 21.9°C

Date/Time: 26.09.2011 20:29:55 Date/Time: 26.09.2011 20:35:46

**EN62209-2\_OET65-Body-GSM1800 GPRS 2TS**

**DUT: RIM; Type: REC71UW; Serial: 004402241218688**

Communication System: GSM 1800 GPRS 2TS; Frequency: 1784.8 MHz; Duty Cycle: 1:4

Medium: M1800 Medium parameters used:  $f = 1784.8 \text{ MHz}$ ;  $\sigma = 1.53 \text{ mho/m}$ ;  $\epsilon_r = 52.8$ ;  $\rho = 1000 \text{ kg/m}^3$

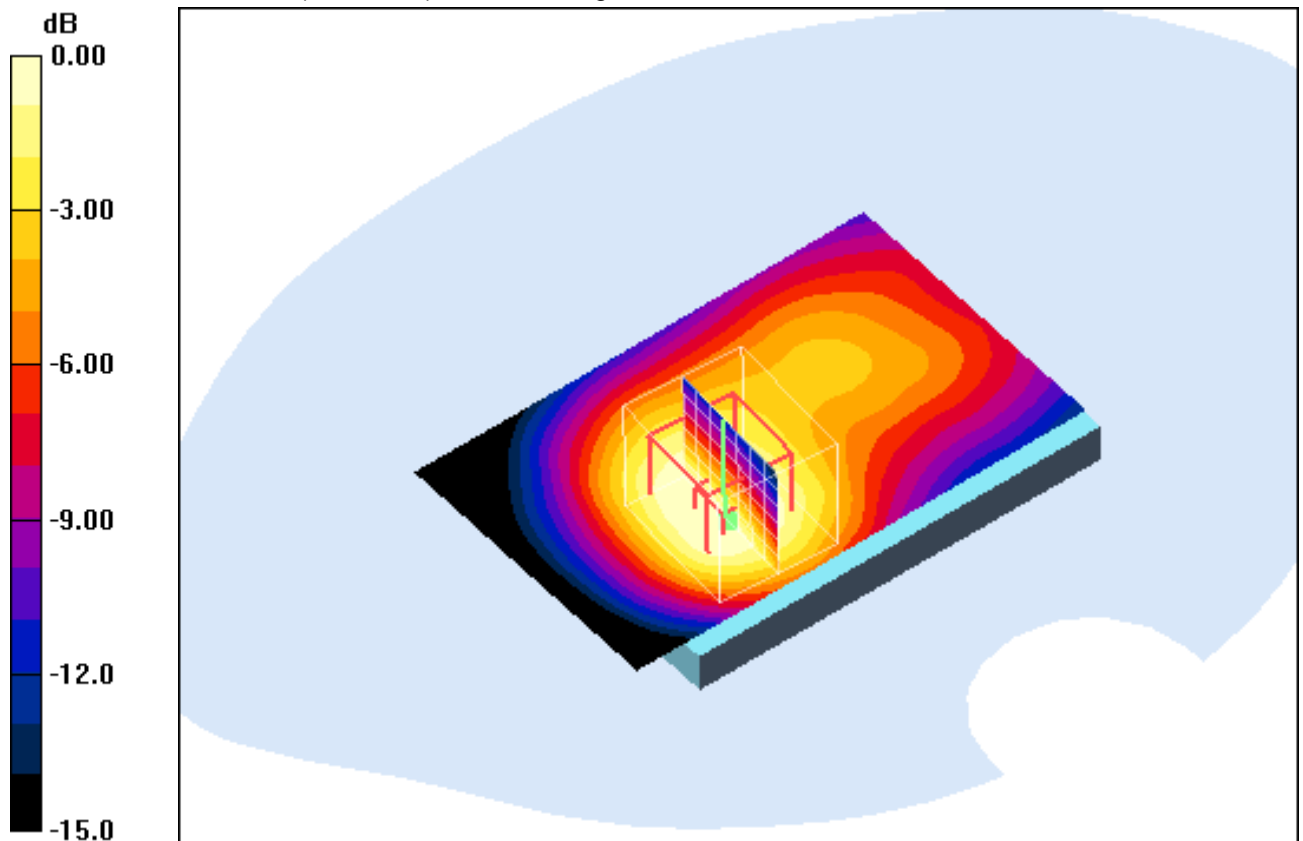
Phantom section: Flat Section

DASY4 Configuration:

- Probe: ET3DV6 - SN1559; ConvF(4.68, 4.68, 4.68); Calibrated: 19.01.2011
- Sensor-Surface: 4mm (Mechanical And Optical Surface Detection)
- Electronics: DAE3 Sn477; Calibrated: 04.05.2011
- Phantom: SAM left; Type: SAM; Serial: 1041
- Measurement SW: DASY4, V4.7 Build 71; Postprocessing SW: SEMCAD, V1.8 Build 146

**Rear position - High/Area Scan (51x81x1):** Measurement grid:  $dx=15\text{mm}$ ,  $dy=15\text{mm}$   
 Maximum value of SAR (interpolated) = 0.653 mW/g

**Rear position - High/Zoom Scan (7x7x7) (8x7x7)/Cube 0:** Measurement grid:  
 $dx=5\text{mm}$ ,  $dy=5\text{mm}$ ,  $dz=5\text{mm}$   
 Reference Value = 17.6 V/m; Power Drift = -0.035 dB  
 Peak SAR (extrapolated) = 0.797 W/kg  
**SAR(1 g) = 0.549 mW/g; SAR(10 g) = 0.348 mW/g**  
 Maximum value of SAR (measured) = 0.598 mW/g



0 dB = 0.598mW/g

**Additional information:**

position or distance of DUT to SAM: 10 mm

ambient temperature: 23.8°C; liquid temperature: 21.9°C

Date/Time: 26.09.2011 18:50:39 Date/Time: 26.09.2011 18:59:12

**EN62209-2\_OET65-Body-GSM1800 GPRS 2TS**

**DUT: RIM; Type: REC71UW; Serial: 004402241218688**

Communication System: GSM 1800 GPRS 2TS; Frequency: 1747.4 MHz; Duty Cycle: 1:4

Medium: M1800 Medium parameters used:  $f = 1747.4 \text{ MHz}$ ;  $\sigma = 1.48 \text{ mho/m}$ ;  $\epsilon_r = 53$ ;  $\rho = 1000 \text{ kg/m}^3$

Phantom section: Flat Section

DASY4 Configuration:

- Probe: ET3DV6 - SN1559; ConvF(4.68, 4.68, 4.68); Calibrated: 19.01.2011
- Sensor-Surface: 4mm (Mechanical And Optical Surface Detection)
- Electronics: DAE3 Sn477; Calibrated: 04.05.2011
- Phantom: SAM left; Type: SAM; Serial: 1041
- Measurement SW: DASY4, V4.7 Build 71; Postprocessing SW: SEMCAD, V1.8 Build 146

**Edge left position - Middle/Area Scan (51x81x1):** Measurement grid:  $dx=15\text{mm}$ ,  $dy=15\text{mm}$

Maximum value of SAR (interpolated) = 0.305 mW/g

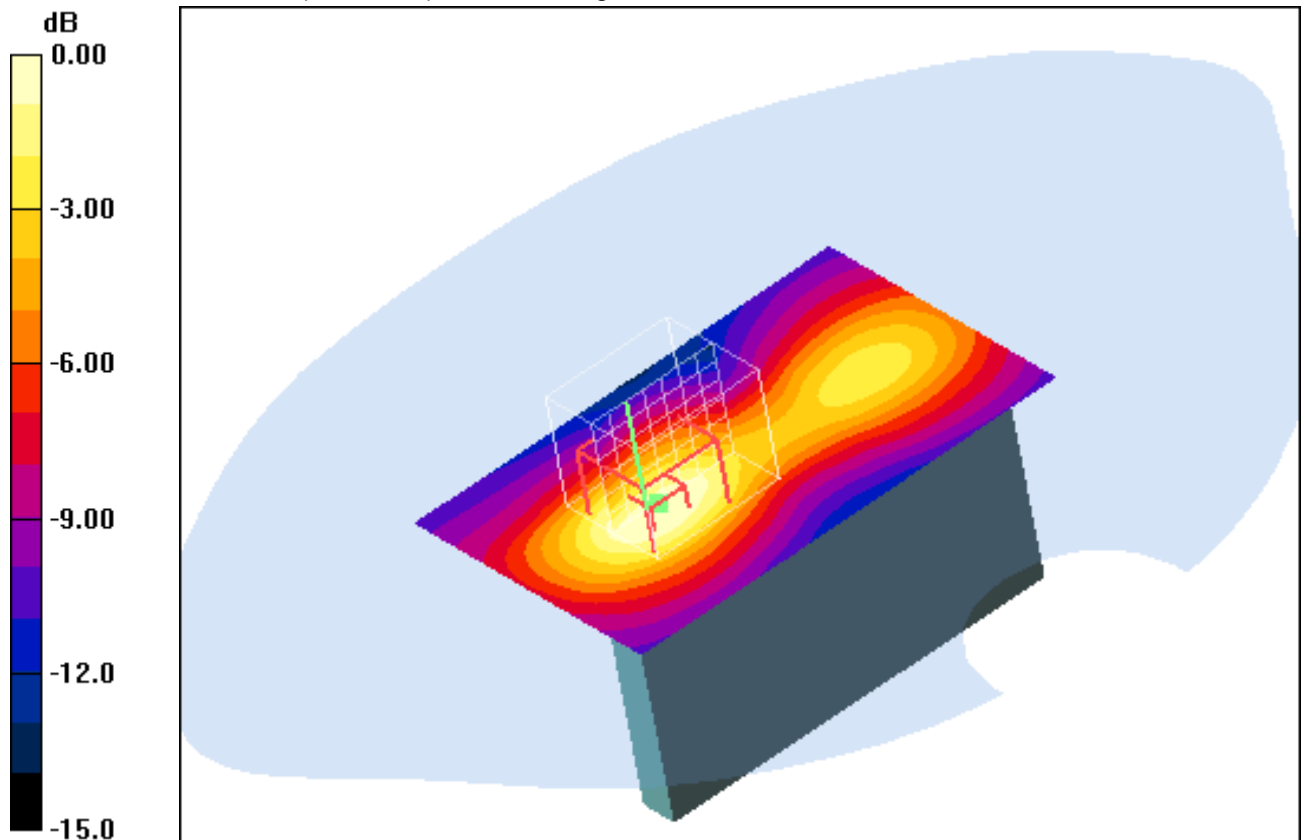
**Edge left position - Middle/Zoom Scan (7x7x7) (7x8x7)/Cube 0:** Measurement grid:  $dx=5\text{mm}$ ,  $dy=5\text{mm}$ ,  $dz=5\text{mm}$

Reference Value = 13.1 V/m; Power Drift = -0.111 dB

Peak SAR (extrapolated) = 0.343 W/kg

**SAR(1 g) = 0.235 mW/g; SAR(10 g) = 0.140 mW/g**

Maximum value of SAR (measured) = 0.260 mW/g



0 dB = 0.260mW/g

**Additional information:**

position or distance of DUT to SAM: 10 mm

ambient temperature: 23.8°C; liquid temperature: 21.9°C

Date/Time: 26.09.2011 19:16:36 Date/Time: 26.09.2011 19:24:53

**EN62209-2\_OET65-Body-GSM1800 GPRS 2TS**

**DUT: RIM; Type: REC71UW; Serial: 004402241218688**

Communication System: GSM 1800 GPRS 2TS; Frequency: 1747.4 MHz; Duty Cycle: 1:4  
 Medium: M1800 Medium parameters used:  $f = 1747.4 \text{ MHz}$ ;  $\sigma = 1.48 \text{ mho/m}$ ;  $\epsilon_r = 53$ ;  $\rho = 1000 \text{ kg/m}^3$   
 Phantom section: Flat Section

DASY4 Configuration:

- Probe: ET3DV6 - SN1559; ConvF(4.68, 4.68, 4.68); Calibrated: 19.01.2011
- Sensor-Surface: 4mm (Mechanical And Optical Surface Detection)
- Electronics: DAE3 Sn477; Calibrated: 04.05.2011
- Phantom: SAM left; Type: SAM; Serial: 1041
- Measurement SW: DASY4, V4.7 Build 71; Postprocessing SW: SEMCAD, V1.8 Build 146

**Edge right position - Middle/Area Scan (51x91x1):** Measurement grid:  $dx=15\text{mm}$ ,  $dy=15\text{mm}$

Maximum value of SAR (interpolated) = 0.190 mW/g

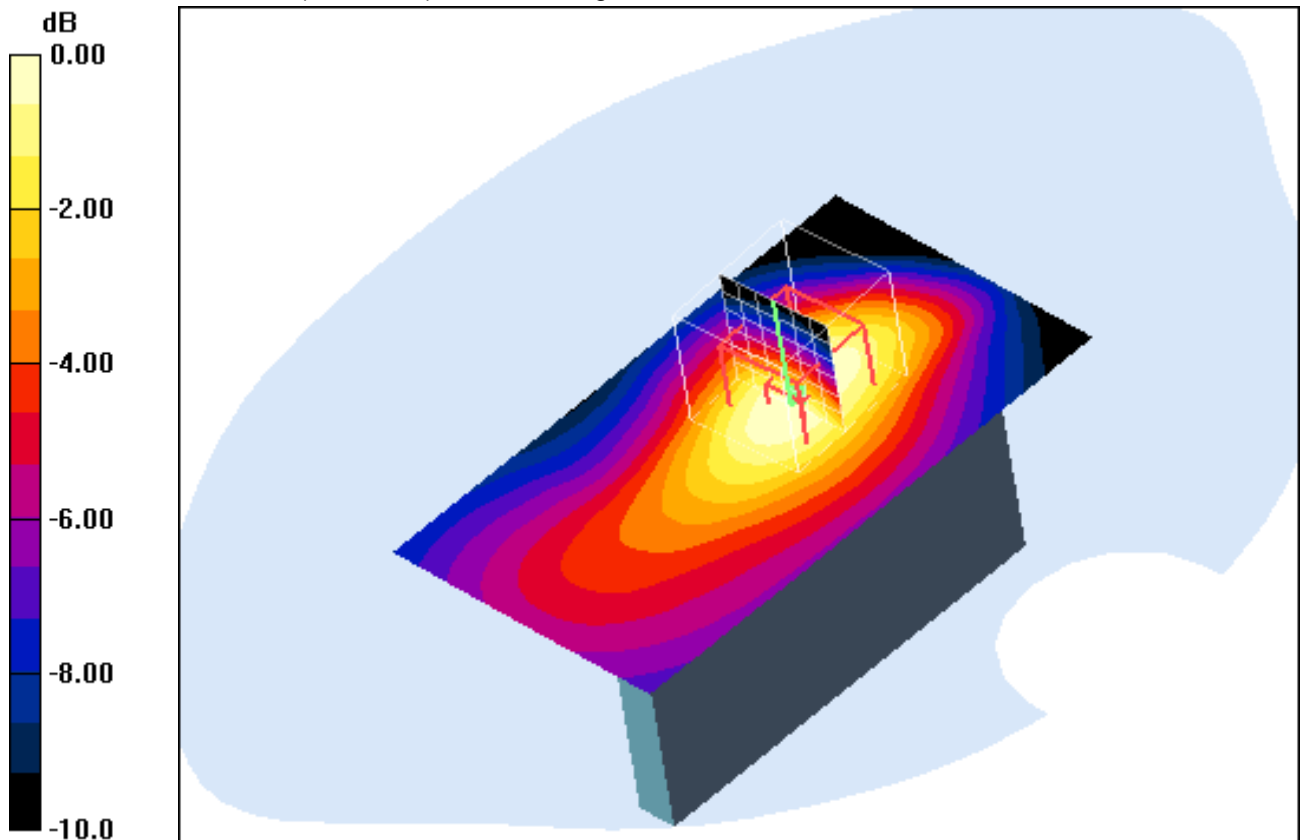
**Edge right position - Middle/Zoom Scan (7x7x7) (7x8x7)/Cube 0:** Measurement grid:  $dx=5\text{mm}$ ,  $dy=5\text{mm}$ ,  $dz=5\text{mm}$

Reference Value = 11.3 V/m; Power Drift = -0.193 dB

Peak SAR (extrapolated) = 0.226 W/kg

**SAR(1 g) = 0.167 mW/g; SAR(10 g) = 0.109 mW/g**

Maximum value of SAR (measured) = 0.183 mW/g



0 dB = 0.183mW/g

**Additional information:**

position or distance of DUT to SAM: 10 mm  
 ambient temperature: 23.8°C; liquid temperature: 21.9°C

Date/Time: 26.09.2011 19:43:47 Date/Time: 26.09.2011 19:49:49

**EN62209-2\_OET65-Body-GSM1800 GPRS 2TS**

**DUT: RIM; Type: REC71UW; Serial: 004402241218688**

Communication System: GSM 1800 GPRS 2TS; Frequency: 1747.4 MHz; Duty Cycle: 1:4

Medium: M1800 Medium parameters used:  $f = 1747.4 \text{ MHz}$ ;  $\sigma = 1.48 \text{ mho/m}$ ;  $\epsilon_r = 53$ ;  $\rho = 1000 \text{ kg/m}^3$

Phantom section: Flat Section

DASY4 Configuration:

- Probe: ET3DV6 - SN1559; ConvF(4.68, 4.68, 4.68); Calibrated: 19.01.2011
- Sensor-Surface: 4mm (Mechanical And Optical Surface Detection)
- Electronics: DAE3 Sn477; Calibrated: 04.05.2011
- Phantom: SAM left; Type: SAM; Serial: 1041
- Measurement SW: DASY4, V4.7 Build 71; Postprocessing SW: SEMCAD, V1.8 Build 146

**Edge bottom position - Middle/Area Scan (61x61x1):** Measurement grid: dx=15mm, dy=15mm

Maximum value of SAR (interpolated) = 0.351 mW/g

**Edge bottom position - Middle/Zoom Scan (7x7x7) (7x7x7)/Cube 0:**

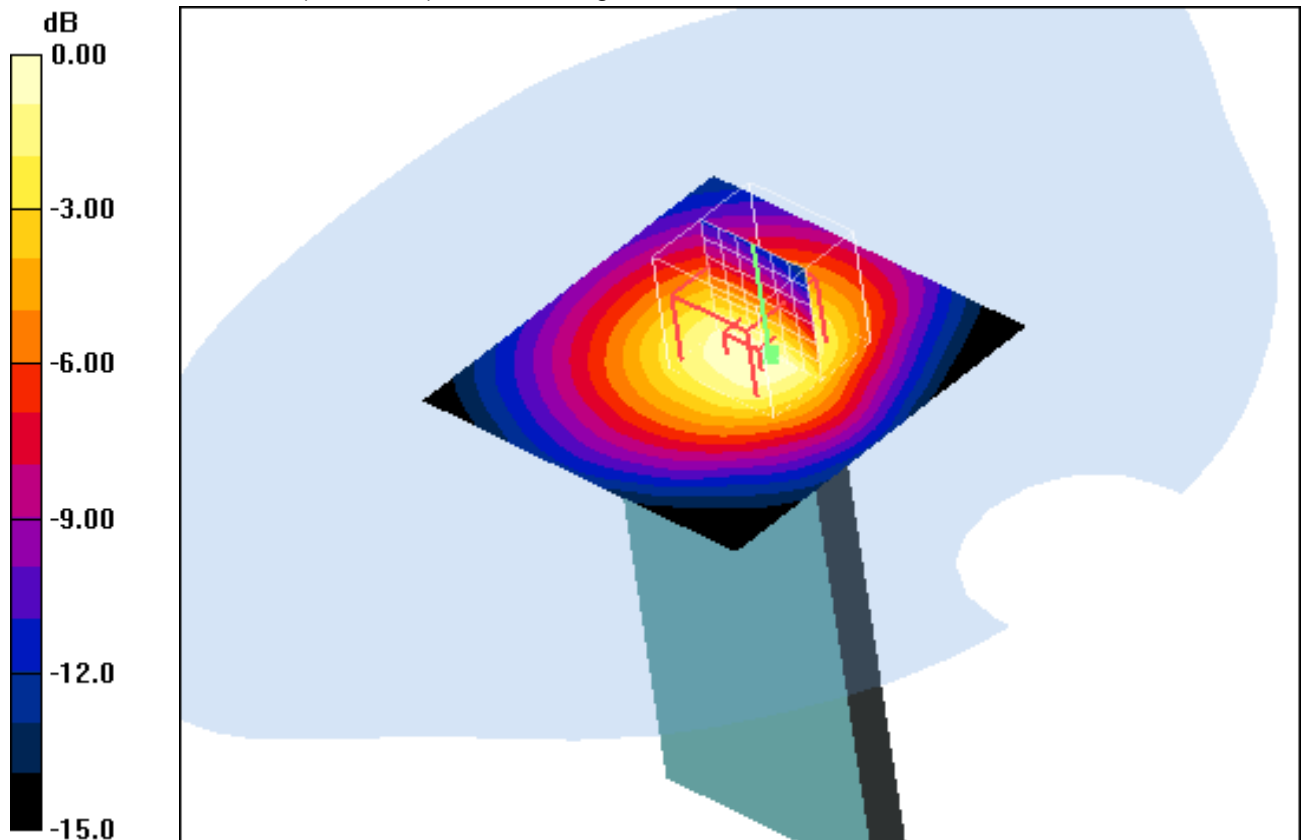
Measurement grid: dx=5mm, dy=5mm, dz=5mm

Reference Value = 15.2 V/m; Power Drift = 0.022 dB

Peak SAR (extrapolated) = 0.452 W/kg

**SAR(1 g) = 0.306 mW/g; SAR(10 g) = 0.188 mW/g**

Maximum value of SAR (measured) = 0.337 mW/g



0 dB = 0.337mW/g

**Additional information:**

position or distance of DUT to SAM: 10 mm

ambient temperature: 23.8°C; liquid temperature: 21.9°C

**Annex B.3: UMTS WCDMA FDD I 1950MHz body**

Date/Time: 28.09.2011 19:59:40 Date/Time: 28.09.2011 20:05:40

**EN62209-2\_OET65-Body-WCDMA FDD I**

**DUT: RIM; Type: REC71UW; Serial: 004402241218688**

Communication System: WCDMA FDD I; Frequency: 1950 MHz; Duty Cycle: 1:1

Medium: M1900 Medium parameters used:  $f = 1950 \text{ MHz}$ ;  $\sigma = 1.58 \text{ mho/m}$ ;  $\epsilon_r = 52.4$ ;  $\rho = 1000 \text{ kg/m}^3$

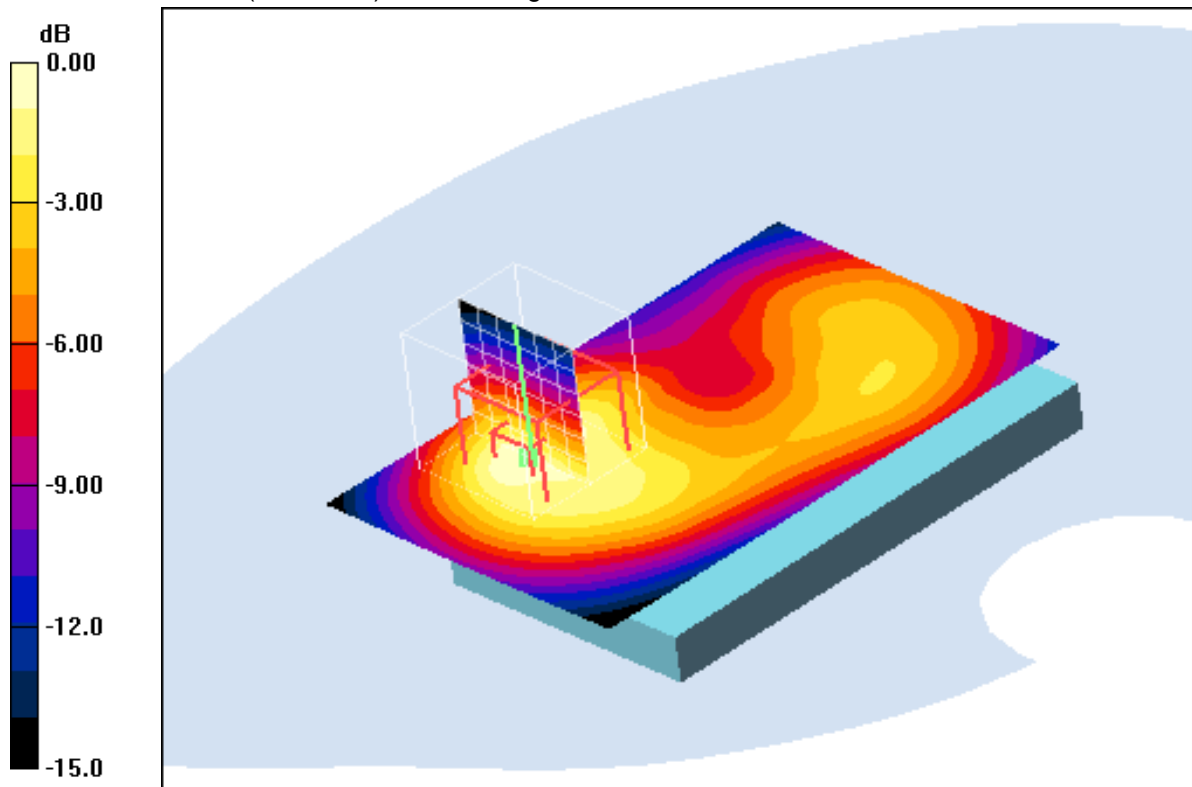
Phantom section: Flat Section

DASY4 Configuration:

- Probe: ET3DV6 - SN1558; ConvF(4.3, 4.3, 4.3); Calibrated: 23.08.2011
- Sensor-Surface: 4mm (Mechanical And Optical Surface Detection)
- Electronics: DAE3 Sn413; Calibrated: 13.01.2011
- Phantom: SAM 12; Type: SAM; Serial: 1043
- Measurement SW: DASY4, V4.5 Build 19; Postprocessing SW: SEMCAD, V1.8 Build 146

**Front position - Middle/Area Scan (51x81x1):** Measurement grid:  $dx=15\text{mm}$ ,  $dy=15\text{mm}$   
 Maximum value of SAR (interpolated) = 1.36 mW/g

**Front position - Middle/Zoom Scan (7x7x7) (7x7x7)/Cube 0:** Measurement grid:  
 $dx=5\text{mm}$ ,  $dy=5\text{mm}$ ,  $dz=5\text{mm}$   
 Reference Value = 28.0 V/m; Power Drift = 0.018 dB  
 Peak SAR (extrapolated) = 2.14 W/kg  
**SAR(1 g) = 1.14 mW/g; SAR(10 g) = 0.639 mW/g**  
 Maximum value of SAR (measured) = 1.25 mW/g



0 dB = 1.25mW/g

**Additional information:**

position or distance of DUT to SAM: 10 mm

ambient temperature: 23.3°C; liquid temperature: 23.3°C

Date/Time: 29.09.2011 09:53:06 Date/Time: 29.09.2011 09:59:07

**EN62209-2\_OET65-Body-WCDMA FDD I**

**DUT: RIM; Type: REC71UW; Serial: 004402241218688**

Communication System: WCDMA FDD I; Frequency: 1922.4 MHz; Duty Cycle: 1:1

Medium: M1900 Medium parameters used:  $f = 1922.4 \text{ MHz}$ ;  $\sigma = 1.54 \text{ mho/m}$ ;  $\epsilon_r = 52.5$ ;  $\rho = 1000 \text{ kg/m}^3$

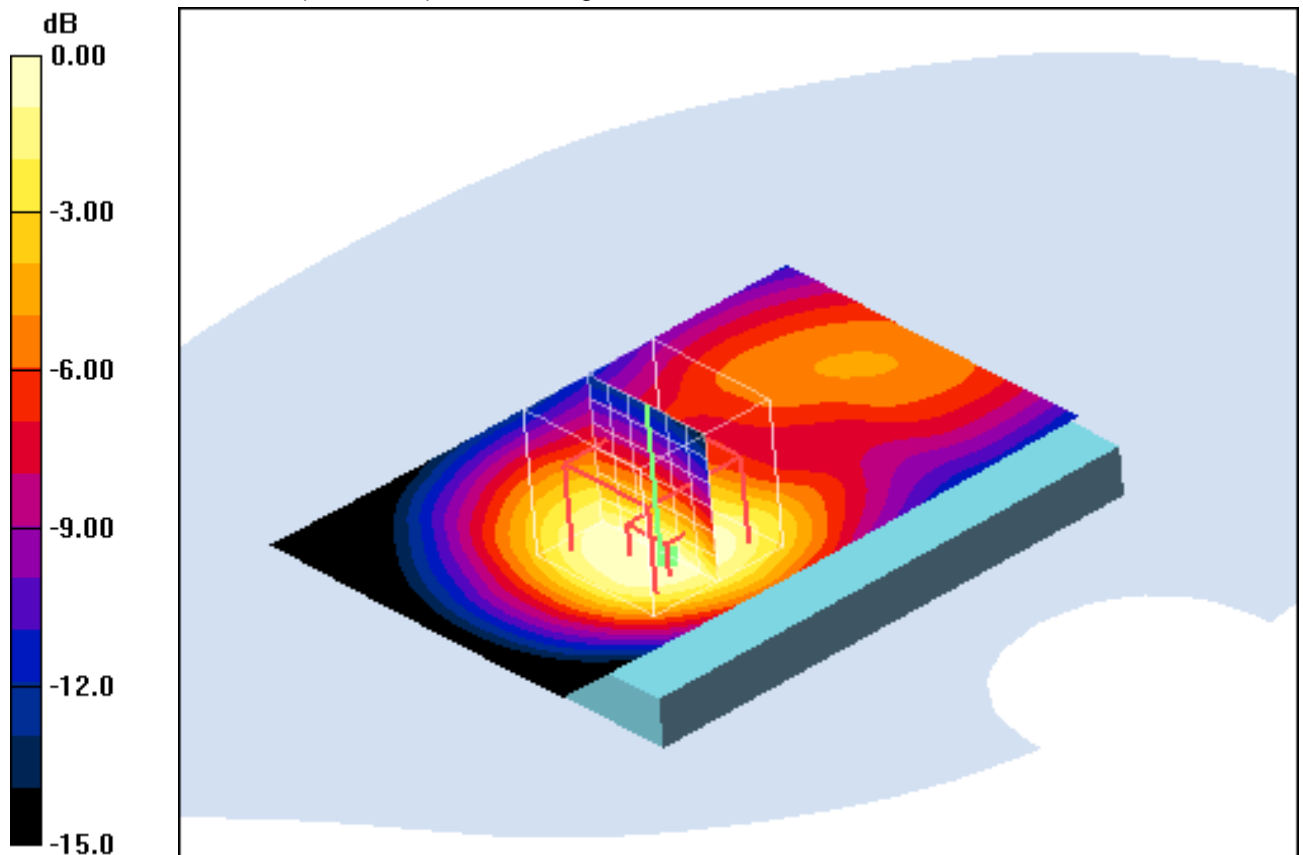
Phantom section: Flat Section

DASY4 Configuration:

- Probe: ET3DV6 - SN1558; ConvF(4.3, 4.3, 4.3); Calibrated: 23.08.2011
- Sensor-Surface: 4mm (Mechanical And Optical Surface Detection)
- Electronics: DAE3 Sn413; Calibrated: 13.01.2011
- Phantom: SAM 12; Type: SAM; Serial: 1043
- Measurement SW: DASY4, V4.5 Build 19; Postprocessing SW: SEMCAD, V1.8 Build 146

**Rear position - Low/Area Scan (51x81x1):** Measurement grid:  $dx=15\text{mm}$ ,  $dy=15\text{mm}$   
 Maximum value of SAR (interpolated) = 1.94 mW/g

**Rear position - Low/Zoom Scan (7x7x7) (7x7x7)/Cube 0:** Measurement grid:  
 $dx=5\text{mm}$ ,  $dy=5\text{mm}$ ,  $dz=5\text{mm}$   
 Reference Value = 34.4 V/m; Power Drift = 0.029 dB  
 Peak SAR (extrapolated) = 2.71 W/kg  
**SAR(1 g) = 1.61 mW/g; SAR(10 g) = 0.955 mW/g**  
 Maximum value of SAR (measured) = 1.74 mW/g



0 dB = 1.74mW/g

**Additional information:**

position or distance of DUT to SAM: 10 mm

ambient temperature: 23.3°C; liquid temperature: 23.3°C

Date/Time: 29.09.2011 09:33:03 Date/Time: 29.09.2011 09:39:13

**EN62209-2\_OET65-Body-WCDMA FDD I**

**DUT: RIM; Type: REC71UW; Serial: 004402241218688**

Communication System: WCDMA FDD I; Frequency: 1950 MHz; Duty Cycle: 1:1

Medium: M1900 Medium parameters used:  $f = 1950 \text{ MHz}$ ;  $\sigma = 1.58 \text{ mho/m}$ ;  $\epsilon_r = 52.4$ ;  $\rho = 1000 \text{ kg/m}^3$

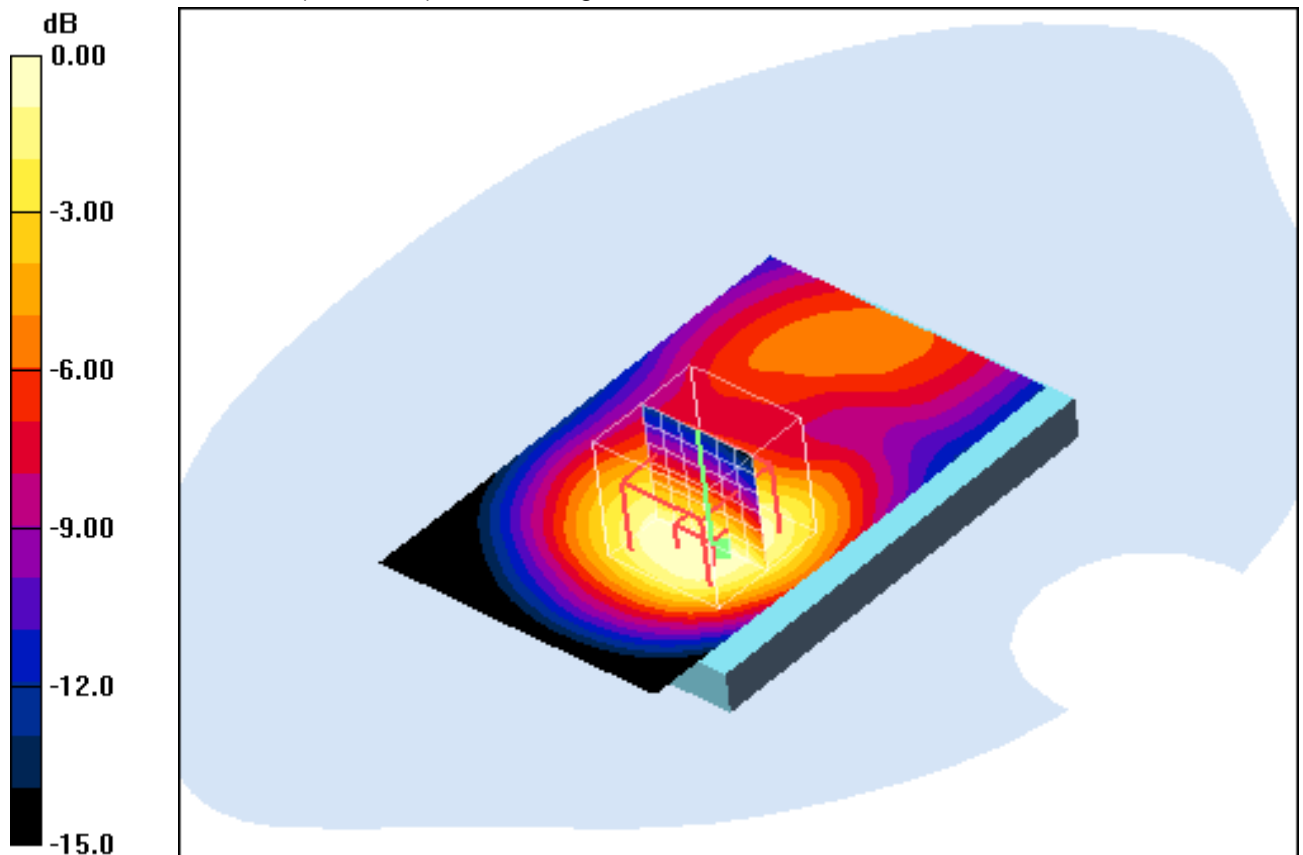
Phantom section: Flat Section

DASY4 Configuration:

- Probe: ET3DV6 - SN1558; ConvF(4.3, 4.3, 4.3); Calibrated: 23.08.2011
- Sensor-Surface: 4mm (Mechanical And Optical Surface Detection)
- Electronics: DAE3 Sn413; Calibrated: 13.01.2011
- Phantom: SAM 12; Type: SAM; Serial: 1043
- Measurement SW: DASY4, V4.5 Build 19; Postprocessing SW: SEMCAD, V1.8 Build 146

**Rear position - Middle/Area Scan (51x81x1):** Measurement grid:  $dx=15\text{mm}$ ,  $dy=15\text{mm}$   
 Maximum value of SAR (interpolated) = 2.26 mW/g

**Rear position - Middle/Zoom Scan (7x7x7) (7x7x7)/Cube 0:** Measurement grid:  
 $dx=5\text{mm}$ ,  $dy=5\text{mm}$ ,  $dz=5\text{mm}$   
 Reference Value = 37.0 V/m; Power Drift = 0.021 dB  
 Peak SAR (extrapolated) = 3.18 W/kg  
**SAR(1 g) = 1.89 mW/g; SAR(10 g) = 1.13 mW/g**  
 Maximum value of SAR (measured) = 2.06 mW/g



0 dB = 2.06mW/g

**Additional information:**

position or distance of DUT to SAM: 10 mm

ambient temperature: 23.3°C; liquid temperature: 23.3°C



Date/Time: 29.09.2011 10:12:57 Date/Time: 29.09.2011 10:19:18

**EN62209-2\_OET65-Body-WCDMA FDD I**

**DUT: RIM; Type: REC71UW; Serial: 004402241218688**

Communication System: WCDMA FDD I; Frequency: 1977.6 MHz; Duty Cycle: 1:1

Medium: M1900 Medium parameters used:  $f = 1977.6 \text{ MHz}$ ;  $\sigma = 1.61 \text{ mho/m}$ ;  $\epsilon_r = 52.4$ ;  $\rho = 1000 \text{ kg/m}^3$

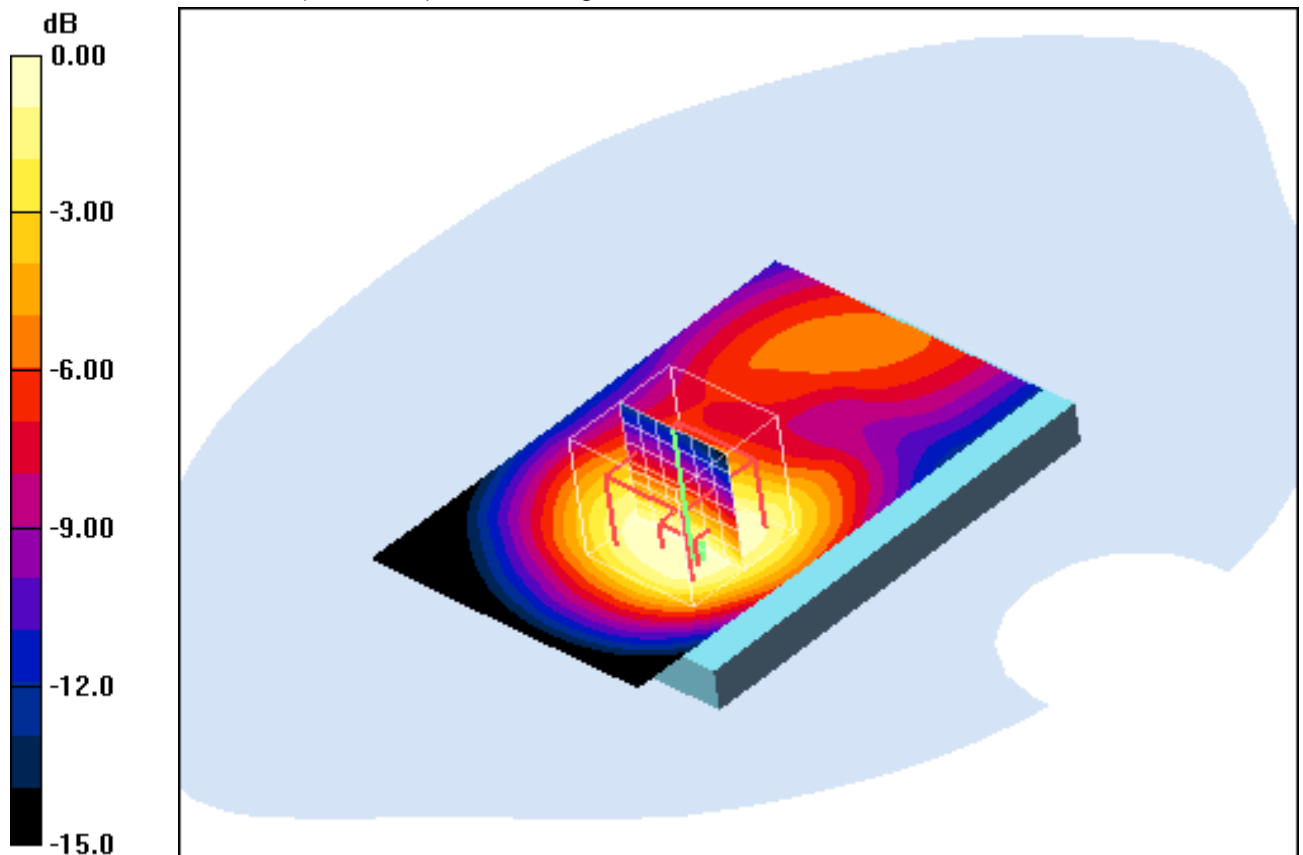
Phantom section: Flat Section

DASY4 Configuration:

- Probe: ET3DV6 - SN1558; ConvF(4.3, 4.3, 4.3); Calibrated: 23.08.2011
- Sensor-Surface: 4mm (Mechanical And Optical Surface Detection)
- Electronics: DAE3 Sn413; Calibrated: 13.01.2011
- Phantom: SAM 12; Type: SAM; Serial: 1043
- Measurement SW: DASY4, V4.5 Build 19; Postprocessing SW: SEMCAD, V1.8 Build 146

**Rear position - High/Area Scan (51x81x1):** Measurement grid:  $dx=15\text{mm}$ ,  $dy=15\text{mm}$   
 Maximum value of SAR (interpolated) = 2.11 mW/g

**Rear position - High/Zoom Scan (7x7x7) (7x7x7)/Cube 0:** Measurement grid:  
 $dx=5\text{mm}$ ,  $dy=5\text{mm}$ ,  $dz=5\text{mm}$   
 Reference Value = 35.9 V/m; Power Drift = 0.01 dB  
 Peak SAR (extrapolated) = 3.01 W/kg  
**SAR(1 g) = 1.78 mW/g; SAR(10 g) = 1.07 mW/g**  
 Maximum value of SAR (measured) = 1.91 mW/g



0 dB = 1.91mW/g

**Additional information:**

position or distance of DUT to SAM: 10 mm

ambient temperature: 23.3°C; liquid temperature: 23.3°C

Date/Time: 28.09.2011 18:52:59 Date/Time: 28.09.2011 18:59:16

**EN62209-2\_OET65-Body-WCDMA FDD I**

**DUT: RIM; Type: REC71UW; Serial: 004402241218688**

Communication System: WCDMA FDD I; Frequency: 1950 MHz; Duty Cycle: 1:1

Medium: M1900 Medium parameters used:  $f = 1950 \text{ MHz}$ ;  $\sigma = 1.58 \text{ mho/m}$ ;  $\epsilon_r = 52.4$ ;  $\rho = 1000 \text{ kg/m}^3$

Phantom section: Flat Section

DASY4 Configuration:

- Probe: ET3DV6 - SN1558; ConvF(4.3, 4.3, 4.3); Calibrated: 23.08.2011
- Sensor-Surface: 4mm (Mechanical And Optical Surface Detection)
- Electronics: DAE3 Sn413; Calibrated: 13.01.2011
- Phantom: SAM 12; Type: SAM; Serial: 1043
- Measurement SW: DASY4, V4.5 Build 19; Postprocessing SW: SEMCAD, V1.8 Build 146

**Edge left position - Middle/Area Scan (51x81x1):** Measurement grid:  $dx=15\text{mm}$ ,  $dy=15\text{mm}$

Maximum value of SAR (interpolated) = 0.709 mW/g

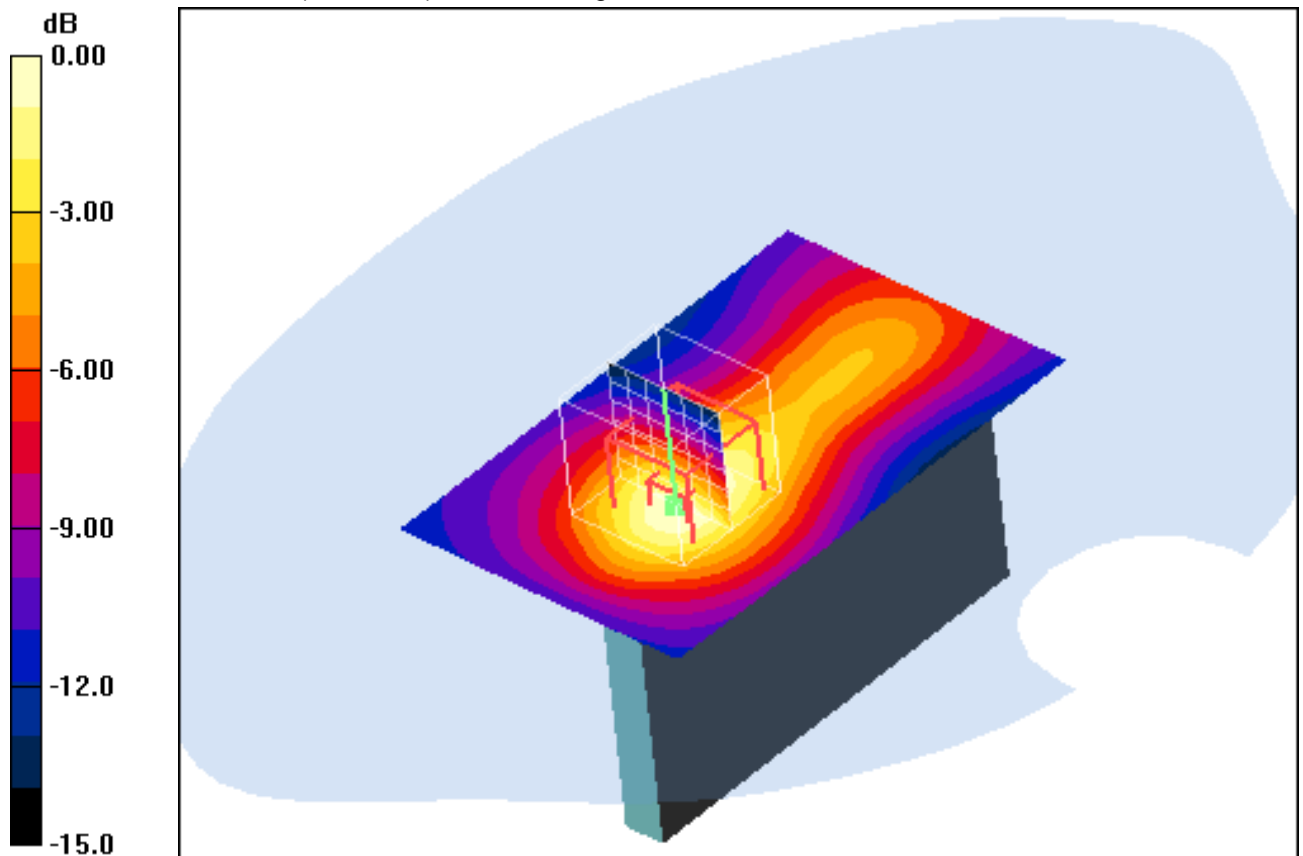
**Edge left position - Middle/Zoom Scan (7x7x7) (7x7x7)/Cube 0:** Measurement grid:  $dx=5\text{mm}$ ,  $dy=5\text{mm}$ ,  $dz=5\text{mm}$

Reference Value = 21.2 V/m; Power Drift = 0.090 dB

Peak SAR (extrapolated) = 1.09 W/kg

**SAR(1 g) = 0.626 mW/g; SAR(10 g) = 0.353 mW/g**

Maximum value of SAR (measured) = 0.686 mW/g



0 dB = 0.686mW/g

**Additional information:**

position or distance of DUT to SAM: 10 mm

ambient temperature: 23.3°C; liquid temperature: 23.3°C

Date/Time: 28.09.2011 19:12:47 Date/Time: 28.09.2011 19:19:04

**EN62209-2\_OET65-Body-WCDMA FDD I**

**DUT: RIM; Type: REC71UW; Serial: 004402241218688**

Communication System: WCDMA FDD I; Frequency: 1950 MHz; Duty Cycle: 1:1

Medium: M1900 Medium parameters used:  $f = 1950 \text{ MHz}$ ;  $\sigma = 1.58 \text{ mho/m}$ ;  $\epsilon_r = 52.4$ ;  $\rho = 1000 \text{ kg/m}^3$

Phantom section: Flat Section

DASY4 Configuration:

- Probe: ET3DV6 - SN1558; ConvF(4.3, 4.3, 4.3); Calibrated: 23.08.2011
- Sensor-Surface: 4mm (Mechanical And Optical Surface Detection)
- Electronics: DAE3 Sn413; Calibrated: 13.01.2011
- Phantom: SAM 12; Type: SAM; Serial: 1043
- Measurement SW: DASY4, V4.5 Build 19; Postprocessing SW: SEMCAD, V1.8 Build 146

**Edge right position - Middle/Area Scan (51x81x1):** Measurement grid:  $dx=15\text{mm}$ ,  $dy=15\text{mm}$

Maximum value of SAR (interpolated) = 0.418 mW/g

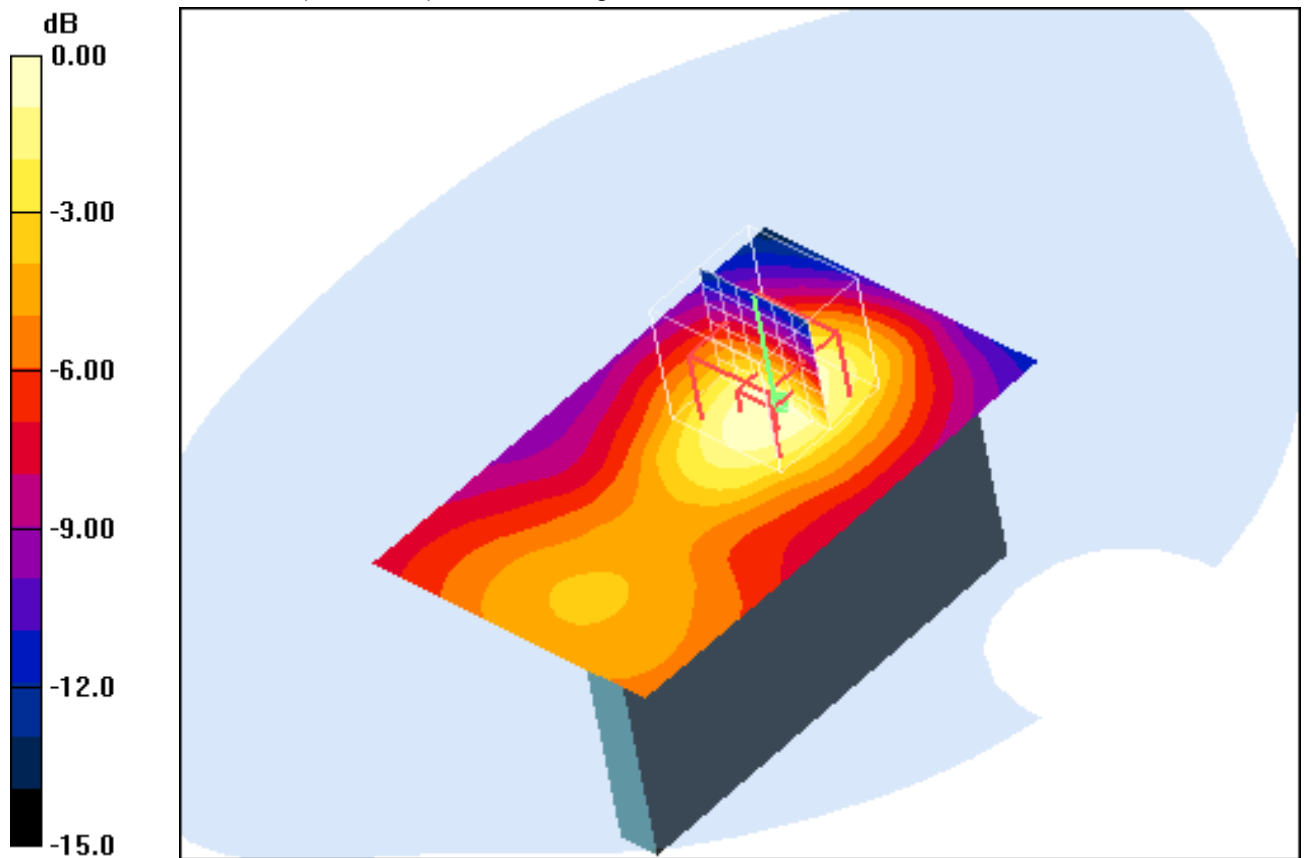
**Edge right position - Middle/Zoom Scan (7x7x7) (7x7x7)/Cube 0:** Measurement grid:  $dx=5\text{mm}$ ,  $dy=5\text{mm}$ ,  $dz=5\text{mm}$

Reference Value = 15.8 V/m; Power Drift = 0.022 dB

Peak SAR (extrapolated) = 0.604 W/kg

**SAR(1 g) = 0.370 mW/g; SAR(10 g) = 0.221 mW/g**

Maximum value of SAR (measured) = 0.401 mW/g



0 dB = 0.401mW/g

**Additional information:**

position or distance of DUT to SAM: 10 mm

ambient temperature: 23.3°C; liquid temperature: 23.3°C

Date/Time: 28.09.2011 19:33:06 Date/Time: 28.09.2011 19:38:45

**EN62209-2\_OET65-Body-WCDMA FDD I**

**DUT: RIM; Type: REC71UW; Serial: 004402241218688**

Communication System: WCDMA FDD I; Frequency: 1950 MHz; Duty Cycle: 1:1

Medium: M1900 Medium parameters used:  $f = 1950 \text{ MHz}$ ;  $\sigma = 1.58 \text{ mho/m}$ ;  $\epsilon_r = 52.4$ ;  $\rho = 1000 \text{ kg/m}^3$

Phantom section: Flat Section

DASY4 Configuration:

- Probe: ET3DV6 - SN1558; ConvF(4.3, 4.3, 4.3); Calibrated: 23.08.2011
- Sensor-Surface: 4mm (Mechanical And Optical Surface Detection)
- Electronics: DAE3 Sn413; Calibrated: 13.01.2011
- Phantom: SAM 12; Type: SAM; Serial: 1043
- Measurement SW: DASY4, V4.5 Build 19; Postprocessing SW: SEMCAD, V1.8 Build 146

**Edge bottom position - Middle/Area Scan (61x61x1):** Measurement grid:  $dx=15\text{mm}$ ,  $dy=15\text{mm}$

Maximum value of SAR (interpolated) = 0.203 mW/g

**Edge bottom position - Middle/Zoom Scan (7x7x7) (7x7x7)/Cube 0:**

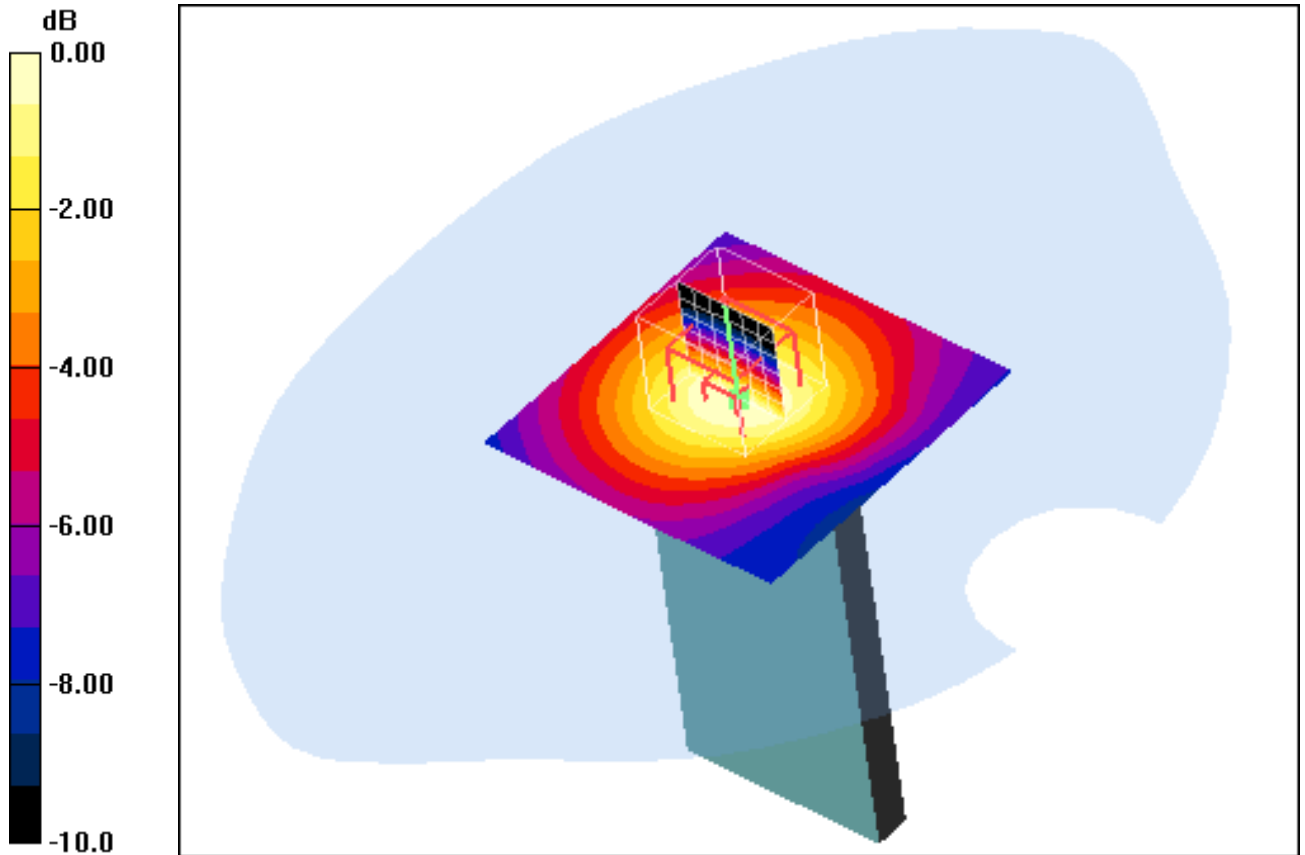
Measurement grid:  $dx=5\text{mm}$ ,  $dy=5\text{mm}$ ,  $dz=5\text{mm}$

Reference Value = 11.7 V/m; Power Drift = -0.015 dB

Peak SAR (extrapolated) = 0.291 W/kg

**SAR(1 g) = 0.182 mW/g; SAR(10 g) = 0.114 mW/g**

Maximum value of SAR (measured) = 0.196 mW/g



0 dB = 0.196mW/g

**Additional information:**

position or distance of DUT to SAM: 10 mm

ambient temperature: 23.3°C; liquid temperature: 23.3°C

## Annex B.4: WLAN 2450MHz body

Date/Time: 29.09.2011 15:11:35 Date/Time: 29.09.2011 15:31:36 Date/Time: 29.09.2011 15:43:20

### EN62209-2\_OET65-Body-WLAN

DUT: RIM; Type: REC71UW; Serial: 004402241218688

Communication System: WLAN 2450 US; Frequency: 2437 MHz; Duty Cycle: 1:1

Medium: M2450 Medium parameters used (interpolated):  $f = 2437$  MHz;  $\sigma = 1.97$  mho/m;  $\epsilon_r = 51.8$ ;  $\rho = 1000$  kg/m<sup>3</sup>

Phantom section: Flat Section

DASY4 Configuration:

- Probe: ET3DV6 - SN1559; ConvF(3.91, 3.91, 3.91); Calibrated: 19.01.2011

- Sensor-Surface: 4mm (Mechanical And Optical Surface Detection)

- Electronics: DAE3 Sn477; Calibrated: 04.05.2011

- Phantom: SAM right; Type: SAM; Serial: 1042

- Measurement SW: DASY4, V4.7 Build 71; Postprocessing SW: SEMCAD, V1.8 Build 146

**Front position - Middle/Area Scan (61x81x1):** Measurement grid:  $dx=15$ mm,  $dy=15$ mm

Maximum value of SAR (interpolated) = 0.079 mW/g

**Front position - Middle/Zoom Scan (7x7x7) (7x7x7)/Cube 0:** Measurement grid:

$dx=5$ mm,  $dy=5$ mm,  $dz=5$ mm

Reference Value = 5.87 V/m; Power Drift = 0.025 dB

Peak SAR (extrapolated) = 0.087 W/kg

**SAR(1 g) = 0.059 mW/g; SAR(10 g) = 0.035 mW/g**

Maximum value of SAR (measured) = 0.065 mW/g

**Front position - Middle/Zoom Scan (7x7x7) (7x7x7)/Cube 1:** Measurement grid:

$dx=5$ mm,  $dy=5$ mm,  $dz=5$ mm

Reference Value = 5.87 V/m; Power Drift = 0.025 dB

Peak SAR (extrapolated) = 0.111 W/kg

**SAR(1 g) = 0.064 mW/g; SAR(10 g) = 0.033 mW/g**

Maximum value of SAR (measured) = 0.071 mW/g

**Front position - Middle/Zoom Scan (7x7x7) (7x7x7)/Cube 2:** Measurement grid:

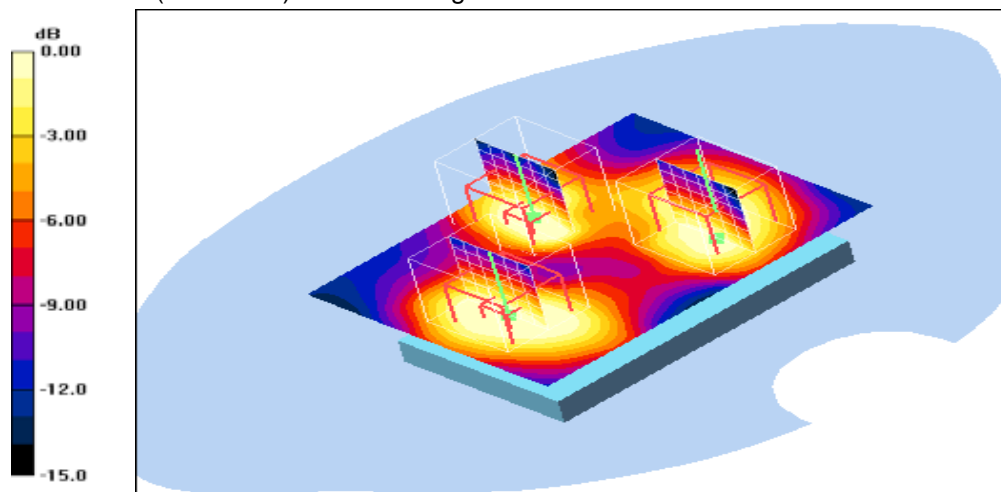
$dx=5$ mm,  $dy=5$ mm,  $dz=5$ mm

Reference Value = 5.87 V/m; Power Drift = 0.025 dB

Peak SAR (extrapolated) = 0.077 W/kg

**SAR(1 g) = 0.051 mW/g; SAR(10 g) = 0.031 mW/g**

Maximum value of SAR (measured) = 0.055 mW/g



0 dB = 0.055mW/g

#### Additional information:

position or distance of DUT to SAM: 10 mm

ambient temperature: 23.8°C; liquid temperature: 23.3°C

Date/Time: 29.09.2011 16:16:19 Date/Time: 29.09.2011 16:24:01

**EN62209-2\_OET65-Body-WLAN**

**DUT: RIM; Type: REC71UW; Serial: 004402241218688**

Communication System: WLAN 2450 US; Frequency: 2437 MHz; Duty Cycle: 1:1

Medium: M2450 Medium parameters used (interpolated):  $f = 2437$  MHz;  $\sigma = 1.97$  mho/m;  $\epsilon_r = 51.8$ ;  $\rho = 1000$  kg/m<sup>3</sup>

Phantom section: Flat Section

DASY4 Configuration:

- Probe: ET3DV6 - SN1559; ConvF(3.91, 3.91, 3.91); Calibrated: 19.01.2011
- Sensor-Surface: 4mm (Mechanical And Optical Surface Detection)
- Electronics: DAE3 Sn477; Calibrated: 04.05.2011
- Phantom: SAM right; Type: SAM; Serial: 1042
- Measurement SW: DASY4, V4.7 Build 71; Postprocessing SW: SEMCAD, V1.8 Build 146

**Rear position - Middle/Area Scan (61x81x1):** Measurement grid: dx=15mm, dy=15mm

Maximum value of SAR (interpolated) = 0.362 mW/g

**Rear position - Middle/Zoom Scan (7x7x7) (7x7x7)/Cube 0:** Measurement grid:

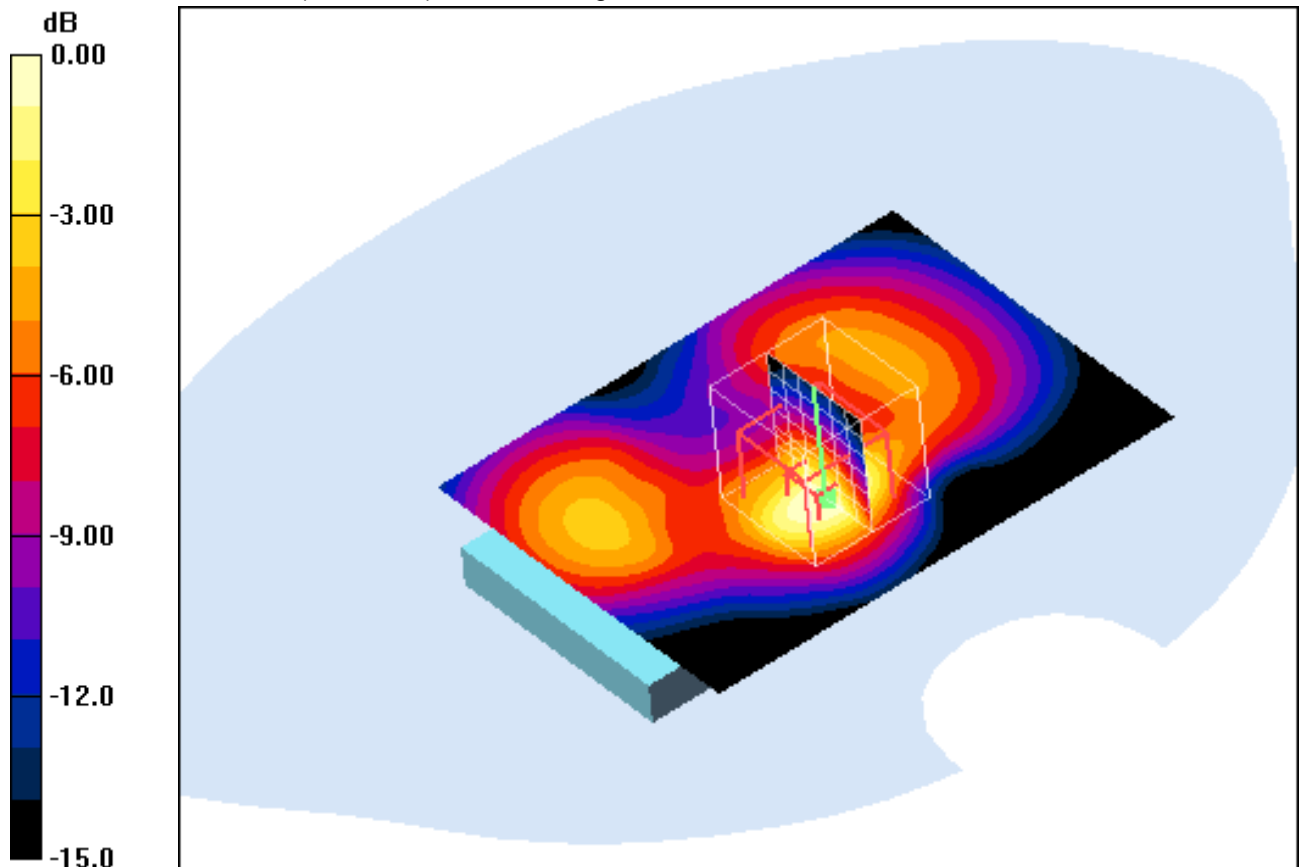
dx=5mm, dy=5mm, dz=5mm

Reference Value = 13.7 V/m; Power Drift = -0.197 dB

Peak SAR (extrapolated) = 0.502 W/kg

**SAR(1 g) = 0.301 mW/g; SAR(10 g) = 0.153 mW/g**

Maximum value of SAR (measured) = 0.344 mW/g



0 dB = 0.344mW/g

**Additional information:**

position or distance of DUT to SAM: 10 mm

ambient temperature: 23.8°C; liquid temperature: 23.3°C

Date/Time: 29.09.2011 17:05:55 Date/Time: 29.09.2011 17:12:27

**EN62209-2\_OET65-Body-WLAN**

**DUT: RIM; Type: REC71UW; Serial: 004402241218688**

Communication System: WLAN 2450 US; Frequency: 2412 MHz; Duty Cycle: 1:1

Medium: M2450 Medium parameters used:  $f = 2412 \text{ MHz}$ ;  $\sigma = 1.94 \text{ mho/m}$ ;  $\epsilon_r = 51.8$ ;  $\rho = 1000 \text{ kg/m}^3$

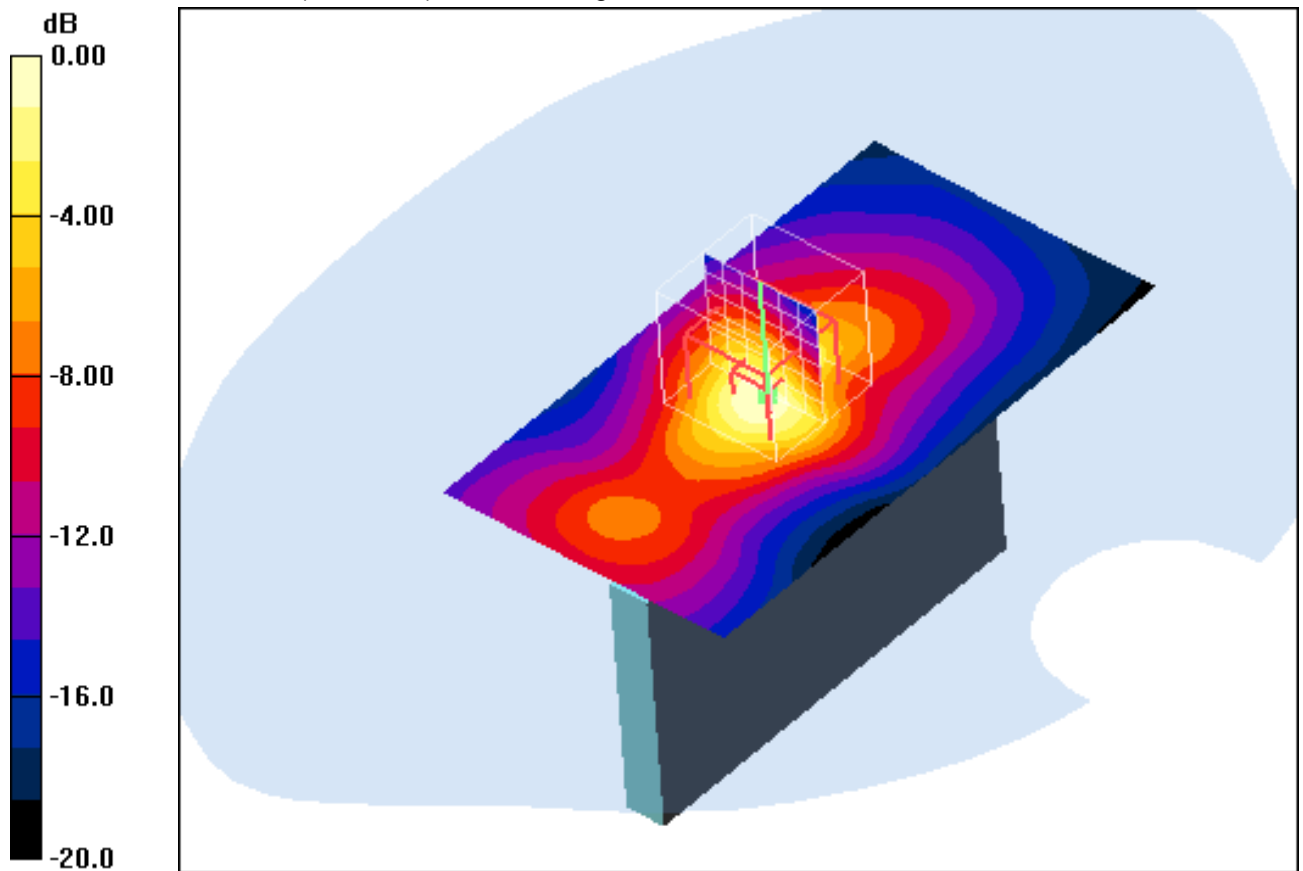
Phantom section: Flat Section

DASY4 Configuration:

- Probe: ET3DV6 - SN1559; ConvF(3.91, 3.91, 3.91); Calibrated: 19.01.2011
- Sensor-Surface: 4mm (Mechanical And Optical Surface Detection)
- Electronics: DAE3 Sn477; Calibrated: 04.05.2011
- Phantom: SAM right; Type: SAM; Serial: 1042
- Measurement SW: DASY4, V4.7 Build 71; Postprocessing SW: SEMCAD, V1.8 Build 146

**Edge left position - Low/Area Scan (51x91x1):** Measurement grid:  $dx=15\text{mm}$ ,  $dy=15\text{mm}$   
 Maximum value of SAR (interpolated) = 0.215 mW/g

**Edge left position - Low/Zoom Scan (7x7x7) (7x7x7)/Cube 0:** Measurement grid:  
 $dx=5\text{mm}$ ,  $dy=5\text{mm}$ ,  $dz=5\text{mm}$   
 Reference Value = 11.0 V/m; Power Drift = 0.133 dB  
 Peak SAR (extrapolated) = 0.320 W/kg  
**SAR(1 g) = 0.191 mW/g; SAR(10 g) = 0.096 mW/g**  
 Maximum value of SAR (measured) = 0.221 mW/g



0 dB = 0.221mW/g

**Additional information:**

position or distance of DUT to SAM: 10 mm  
 ambient temperature: 23.8°C; liquid temperature: 23.3°C

Date/Time: 29.09.2011 16:40:45 Date/Time: 29.09.2011 16:48:03

**EN62209-2\_OET65-Body-WLAN**

**DUT: RIM; Type: REC71UW; Serial: 004402241218688**

Communication System: WLAN 2450 US; Frequency: 2437 MHz; Duty Cycle: 1:1

Medium: M2450 Medium parameters used (interpolated):  $f = 2437$  MHz;  $\sigma = 1.97$  mho/m;  $\epsilon_r = 51.8$ ;  $\rho = 1000$  kg/m<sup>3</sup>

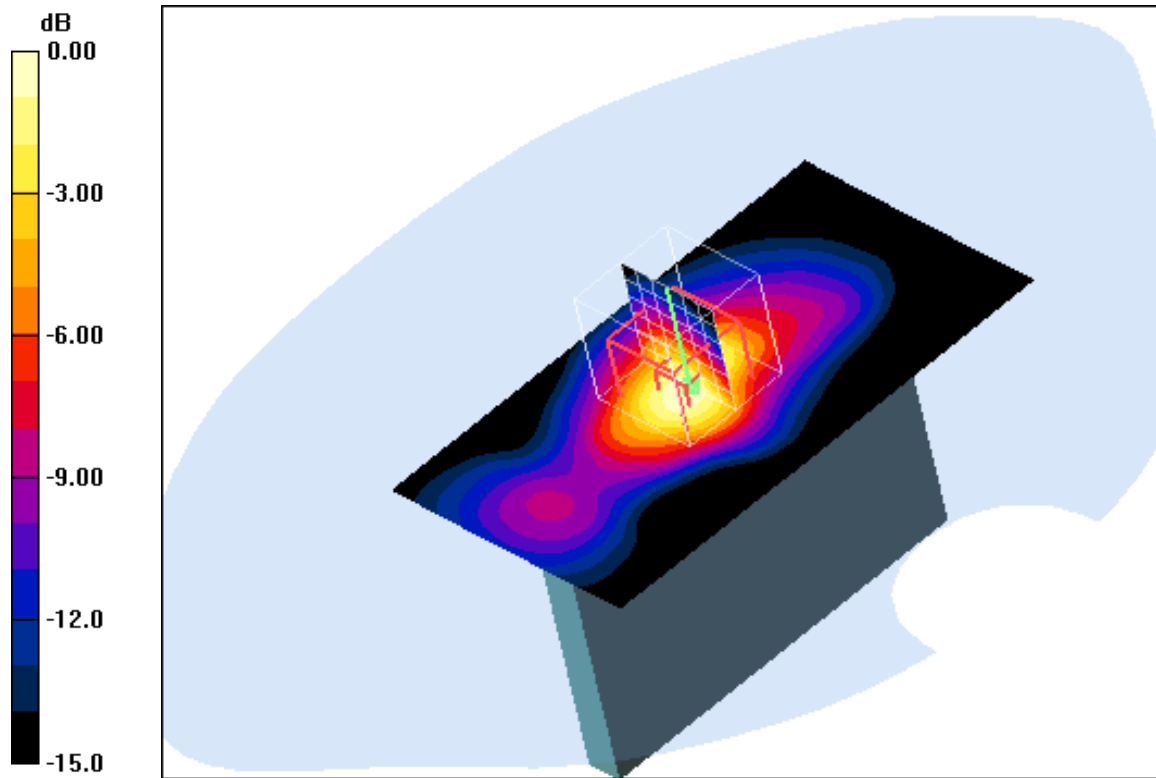
Phantom section: Flat Section

DASY4 Configuration:

- Probe: ET3DV6 - SN1559; ConvF(3.91, 3.91, 3.91); Calibrated: 19.01.2011
- Sensor-Surface: 4mm (Mechanical And Optical Surface Detection)
- Electronics: DAE3 Sn477; Calibrated: 04.05.2011
- Phantom: SAM right; Type: SAM; Serial: 1042
- Measurement SW: DASY4, V4.7 Build 71; Postprocessing SW: SEMCAD, V1.8 Build 146

**Edge left position - Middle/Area Scan (51x91x1):** Measurement grid: dx=15mm, dy=15mm  
 Maximum value of SAR (interpolated) = 0.374 mW/g

**Edge left position - Middle/Zoom Scan (7x7x7) (7x7x7)/Cube 0:** Measurement grid: dx=5mm, dy=5mm, dz=5mm  
 Reference Value = 14.0 V/m; Power Drift = -0.140 dB  
 Peak SAR (extrapolated) = 0.558 W/kg  
**SAR(1 g) = 0.332 mW/g; SAR(10 g) = 0.169 mW/g**  
 Maximum value of SAR (measured) = 0.389 mW/g



0 dB = 0.389mW/g

**Additional information:**

position or distance of DUT to SAM: 10 mm  
 ambient temperature: 23.8°C; liquid temperature: 23.3°C



Date/Time: 29.09.2011 17:33:46 Date/Time: 29.09.2011 17:40:59

**EN62209-2\_OET65-Body-WLAN**

**DUT: RIM; Type: REC71UW; Serial: 004402241218688**

Communication System: WLAN 2450 US; Frequency: 2472 MHz; Duty Cycle: 1:1

Medium: M2450 Medium parameters used:  $f = 2472 \text{ MHz}$ ;  $\sigma = 2.02 \text{ mho/m}$ ;  $\epsilon_r = 51.6$ ;  $\rho = 1000 \text{ kg/m}^3$

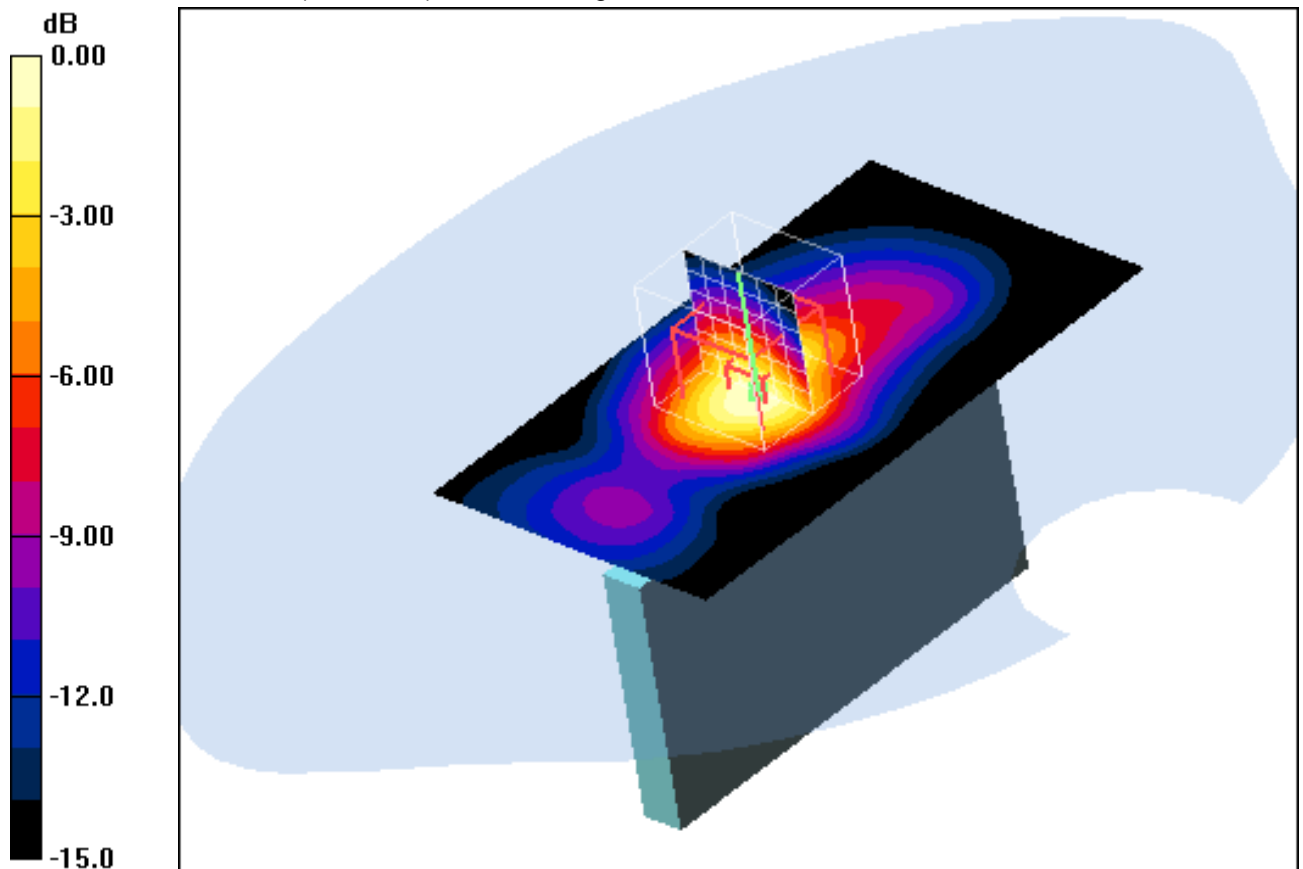
Phantom section: Flat Section

DASY4 Configuration:

- Probe: ET3DV6 - SN1559; ConvF(3.91, 3.91, 3.91); Calibrated: 19.01.2011
- Sensor-Surface: 4mm (Mechanical And Optical Surface Detection)
- Electronics: DAE3 Sn477; Calibrated: 04.05.2011
- Phantom: SAM right; Type: SAM; Serial: 1042
- Measurement SW: DASY4, V4.7 Build 71; Postprocessing SW: SEMCAD, V1.8 Build 146

**Edge left position - High/Area Scan (51x91x1):** Measurement grid:  $dx=15\text{mm}$ ,  $dy=15\text{mm}$   
 Maximum value of SAR (interpolated) = 0.345 mW/g

**Edge left position - High/Zoom Scan (7x7x7) (7x7x7)/Cube 0:** Measurement grid:  
 $dx=5\text{mm}$ ,  $dy=5\text{mm}$ ,  $dz=5\text{mm}$   
 Reference Value = 13.7 V/m; Power Drift = -0.022 dB  
 Peak SAR (extrapolated) = 0.525 W/kg  
**SAR(1 g) = 0.311 mW/g; SAR(10 g) = 0.160 mW/g**  
 Maximum value of SAR (measured) = 0.349 mW/g



0 dB = 0.349mW/g

**Additional information:**

position or distance of DUT to SAM: 10 mm  
 ambient temperature: 23.8°C; liquid temperature: 23.3°C

### Annex C: Photo documentation

Photo documentation is described in the additional document:

### Appendix to test report no. 1-3851/11-01-31 Photo documentation

### Annex D: Document History

Version	Applied Changes	Date of Release
	Initial Release	2011-11-11

### Annex E: Further Information

#### Glossary

DUT	-	Device under Test
EUT	-	Equipment under Test
FCC	-	Federal Communication Commission
FCC ID	-	Company Identifier at FCC
HW	-	Hardware
IC	-	Industry Canada
Inv. No.	-	Inventory number
N/A	-	not applicable
SAR	-	Specific Absorption Rate
S/N	-	Serial Number
SW	-	Software