

PARTIAL TEST REPORT
No.: 2-0023-11-1-6b

According to:
FCC-Regulations
 Part 22 & Part 24 & Part 27
IC-Regulations
 RSS-132 Issue 2 & RSS-133 Issue 5 & RSS-139 Issue 2
 RSS-Gen, Issue 3

for
 Research In Motion Limited

Smartphone REA71UW
FCC-ID: L6AREA70UW
IC: 2503A-REA70UW

Smartphone REB71UW
FCC-ID: L6AREB70UW
IC: 2503A-REB70UW







Laboratory Accreditation and Listings			
 Deutsche Akkreditierungsstelle D-PL-12047-01-01	 Reg. No.: 736496 MRA US-EU 0003	 Industry Canada Reg. No.: 3462D-1 Reg. No.: 3462D-2 Reg. No.: 3462D-3	 Voluntary Controls for Electromagnetic Emissions Reg. No.: R-2665, R-2666 C-2914, T-1967, G-301
 AUTHORIZED RF LABORATORY	 LAB CODE 20011130-00		
accredited according to DIN EN ISO/IEC 17025			
<p align="center"> CETECOM GmbH Laboratory Radio Communications & Electromagnetic Compatibility Im Teelbruch 116 • 45219 Essen • Germany Registered in Essen, Germany, Reg. No.: HRB Essen 8984 Tel.: + 49 (0) 20 54 / 95 19-954 • Fax: + 49 (0) 20 54 / 95 19-964 E-mail: info@cetecom.com • Internet: www.cetecom.com </p>			

Table of contents

1. SUMMARY OF TEST RESULTS.....	3
1.1. TX Mode TESTS OVERVIEW FCC Part 15/22/24/27 and Canada IC Standards (RSS).....	3
1.2. RX Mode TESTS OVERVIEW FCC Part 15/22/24 and Canada IC Standards (RSS).....	4
2. ADMINISTRATIVE DATA	5
2.1. Identification of the testing laboratory.....	5
2.2. Test location	5
2.3. Organizational items.....	5
2.4. Applicant’s details	5
2.5. Manufacturer’s details	5
3. EQUIPMENT UNDER TEST (EUT).....	6
3.1. Additional declaration and description of main EUT	6
3.2. EUT: Type, S/N etc. and short descriptions used in this test report	8
3.3. Auxiliary Equipment (AE): Type, S/N etc. and short descriptions.....	8
3.4. EUT set-ups	8
3.5. EUT operating modes	9
3.6. Parameter Settings on mobile phone and base station CMU200	10
4. DESCRIPTION OF TEST SET-UP’S.....	11
4.1. Test Set-up for conducted measurements	11
4.2. Mode Test Set-up for conducted power measurements in HSDPA/HSUPA op.mode	11
4.3. Test set-up for radiated measurements	12
5. MEASUREMENTS	13
5.1. RF power output (conducted)	13
5.2. RF power output (radiated) ERP/EIRP.....	16
5.3. Occupied bandwidth and emission bandwidth.....	18
5.4. Spurious emission measurements at antenna terminals (conducted)	20
5.5. Radiated spurious emission measurements outside the licensee’s frequency block.....	28
5.6. Frequency stability on temperature and voltage variations.....	33
5.7. Radiated field strength emissions below 30 MHz	40
5.8. Measurement uncertainties	47
6. ACCREDITATION DETAILS OF CETECOM’S LABORATORIES AND TEST SITES	48
7. INSTRUMENTS AND ANCILLARY.....	49
7.1. Used equipment “CTC”	49
8. RMC99, HSDPA AND HSUPA FDD SETTINGS.....	53
8.1. 3GPP Release 99	53
8.2. 3GPP Release 5 (HSDPA Option).....	55
8.3. 3GPP Release 6 (HSUPA Option).....	59

Table of annex

Total pages

SEPARATE DOCUMENT TR2-0023-11-1-6B_A1.PDF: DIAGRAMS OF TESTING

131

1. Summary of test results

The test results apply exclusively to the test samples as presented in chapter 3.1. The CETECOM GmbH does not assume responsibility for any conclusions and generalizations taken in conjunction with other specimens or samples of the type of the item presented to tests.

The presented mobile phone includes GSM/(E)GPRS and W-CDMA Band II, IV and V technology. This test report shows results for W-CDMA technology only.

Following tests have been performed to show compliance with applicable FCC Part 2, Part 22, Subpart H and Part 24, Subpart E (Broadband PCS) of the FCC CFR 47 Rules, Edition 1st October 2010 and Canada RSS-132, RSS-133, RSS-139 and RSS-Gen standards.

Due to customer request no EUT photographs have been included in this test report.

1.1. TX Mode TESTS OVERVIEW FCC Part 15/22/24/27 and Canada IC Standards (RSS)

TEST CASES	PORT	REFERENCES & LIMITS			EUT set-up	EUT op-mode	Result
		FCC Standard	RSS Section	TEST LIMIT			
RF POWER (conducted)	Antenna terminal (conducted)	§2.1046 §27.50 (4)	--	N/A	1+2	1+2+3+ 4+5	Passed
RF-POWER radiated (ERP/EIRP)	Cabinet	§2.1046 §22.913(a)(2)	RSS-132: 4.4 SRSP-503: 5.1.3	< 7 Watt (ERP)	3+4	1+2+3	Passed
		§24.232(c)	RSS-133:4.1/6.4 SRSP-510: 5.1.2	< 2 Watt (EIRP)			
		§27.50 (4)	RSS-139: Issue 2	< 1 Watt (AV EIRP)			
SPURIOUS EMISSIONS (conducted)	Antenna terminal (conducted)	§2.1051 §2.1057 §22.917(a)(b) §24.238(a)(b) §27.53	RSS-132: 4.5.1 RSS 133: 6.5.1(a)(b) RSS-139: Issue 2, Chapt. 6.5(i)(ii)	43+10log(P) dBc	1+2	1+2+3+ 5	Passed
EMISSION BANDWIDTH & 99% OCCUPIED BANDWIDTH	Antenna terminal (conducted)	§2.202 §2.1049 §22.917(a) §24.238(a)	RSS Gen:4.6.1	99% Power	1+2	1+2+3+ 5	Passed
SPURIOUS EMISSIONS (radiated)	Cabinet + Interconnecting cables (radiated)	§15.209(a)	RSS-Gen: 4.11	2400/F(kHz) μV/m 24000/F(kHz) μV/m 30 μV/m	3+4	1+2+3+ 5	Passed
		§2.1053(a) §2.1057 §22.917(a)(b) §24.238(a)(b) §27.53	RSS-132: 4.5.1 & 4.5.2 RSS-133: 6.5.1(a)(b) RSS-139: Issue 2 Chapt. 6.5(i)(ii)	43+10log(P) dBc	3+4	1+2+3+ 5	Passed
FREQUENCY STABILITY	Antenna terminal (conducted)	§22.355, table C-1 §24.235 §2.1055(a)(2) §27.54	RSS-132: 4.3 RSS-133: 6.3 RSS-139: Issue 2 Chapt. 6.3 (RSS-Gen)	< ±2.5ppm ≤±0.1 ppm	1+2	1+2+3	Passed

1.2. RX Mode TESTS OVERVIEW FCC Part 15/22/24 and Canada IC Standards (RSS)

TEST CASES	PORT	REFERENCES & LIMITS			EUT set-up	EUT op-mode	Result
		FCC Standard	RSS Section	TEST LIMIT			
AC-Power Lines Conducted Emissions	AC-Power lines	§15.107 §15.207	RSS-Gen, Issue 3: Chapter 7.2.4	FCC §15.107 class B limits §15.207 limits IC: Table 4, Chapter 7.2.4	--	--	Passed Remark 1
RECEIVER Radiated emissions	Cabinet + Interconnecting cables (radiated)	§15.109 §15.33 §15.35	RSS-132, Issue 2: 4.6 RSS-Gen, Issue 3: 6.1 RSS 133, Issue 5: 6.6	FCC 15.109 class B limits IC-limits: Table 1, Chapter 6	--	--	Passed Remark 1
RECEIVER Conducted emissions	Antenna terminal (conducted)	§2.1051	RSS-Gen: 6.2 RSS132: 4.6 RSS133: 6.7(b)	43+10log(P) dBc IC: < 2 nW/4kHz (30<f<1000MHz) < 5nW/4kHz (f > 1GHz)	--	--	Passed Remark 1

Remark: 1.) See separate test report TR2-0023-11-1-7a for measurements according Part 15, Subpart B/ RSS-Gen.

ATTESTATION:

I declare that all measurements were performed by me or under my supervision and that all measurements have been performed and are correct to my best knowledge and belief to Industry Canada standards. All requirements as shown in above table are met in accordance with enumerated standards.

.....
Dipl.-Ing. W. Richter
Responsible for test section



GmbH
Im Teelbruch 116
45219 Essen
Tel: +49 (0) 20 54 7 95 19 - 0
Fax: +49 (0) 20 54 7 95 19 - 097

.....
Dipl.-Ing. B. Taslica
Responsible for test report

2. Administrative Data

2.1. Identification of the testing laboratory

Company name:	CETECOM GmbH
Address:	Im Teelbruch 116 45219 Essen - Kettwig Germany
Responsible for testing laboratory:	Dipl.-Ing. W. Richter
Deputy:	Dipl.-Ing. J. Schmitt
Laboratory accreditations/Listings:	DAkkS-Registration No. D-PL-12047-01-01 FCC-Registration No.: 736496, MRA US-EU 0003 IC-Registration No. 3462D-1, 3462D-2, 3462D-3 VCCI Reg. No. R-2665, R-2666, C-2914, T-1967, G-301

2.2. Test location

2.2.1. Test laboratory “CTC”

Company name:	see chapter 2.1. Identification of the testing laboratory
---------------	---

2.3. Organizational items

Order No.:	2-0023-11-1
Responsible for test report and project leader:	Dipl.-Ing. B. Taslica
Receipt of EUT:	2011-08-29
Date(s) of test:	2011-08-30 to 2011-09-30
Date of report:	2011-10-07

Version of template:	11.05 _All.Dotm

2.4. Applicant’s details

Applicant’s name:	Research In Motion Limited
Address:	440 Phillip Street N2L 5R9 Waterloo ON CANADA
Contact person:	Mr. Masud Attayi

2.5. Manufacturer’s details

Manufacturer’s name:	Research In Motion Limited
Address:	295 Phillip Street N2L 3W8 Waterloo ON CANADA

3. Equipment under test (EUT)

3.1. Additional declaration and description of main EUT

Main function	Smartphone										
Type	REA71UW										
TX-frequency range	GSM 850: 824 – 849MHz (Uplink), 869-894MHz (Downlink) GSM1900: 1850-1910MHz (Uplink), 1930-1990MHz (Downlink) FDD Band 2: 1852.4–1907.6 MHz (Uplink), 1930-1990MHz (Downlink) FDD Band 5: 826.4-846.6 MHz (Uplink), 869-894MHz (Downlink)										
Type of modulation	GSM-mode: GMSK GPRS-Mode: 8-PSK FDD-Mode Release99: QPSK FDD Mode Release 5+6: 16QAM additionally										
Number of channels	GSM 850: 128 – 251, 125 channels GSM1900: 512 – 810, 300 channels FDD Band 2: UARFCN range 9262 – 9400 – 9538 FDD Band 5: UARFCN range 4132 – 4183 – 4233										
Antenna Type	<input checked="" type="checkbox"/> Integrated <input type="checkbox"/> External, no RF- connector <input type="checkbox"/> External, separate RF-connector	Frequency range: GSM 850: 824 – 894 MHz GSM 1900: 1710-1990 MHz									
MAX PEAK Output Power: Radiated	<table border="0"> <tr> <td>FDD-Mode 2 RMC99</td> <td>30.6 dBm (PK)</td> </tr> <tr> <td>FDD-Mode 2 HSUPA</td> <td>20.2 dBm (PK)</td> </tr> <tr> <td>FDD-Mode 5 RMC99</td> <td>26.2 dBm (PK)</td> </tr> <tr> <td>FDD_Mode 5 HSUPA</td> <td>26.7 dBm (PK)</td> </tr> </table>			FDD-Mode 2 RMC99	30.6 dBm (PK)	FDD-Mode 2 HSUPA	20.2 dBm (PK)	FDD-Mode 5 RMC99	26.2 dBm (PK)	FDD_Mode 5 HSUPA	26.7 dBm (PK)
FDD-Mode 2 RMC99	30.6 dBm (PK)										
FDD-Mode 2 HSUPA	20.2 dBm (PK)										
FDD-Mode 5 RMC99	26.2 dBm (PK)										
FDD_Mode 5 HSUPA	26.7 dBm (PK)										
MAX PEAK Output Power: Conducted	<table border="0"> <tr> <td>FDD-Mode 2 RMC</td> <td>23.85 dBm (PK)</td> </tr> <tr> <td>FDD-Mode2 HSUPA</td> <td>21.5 dBm (AV)</td> </tr> <tr> <td>FDD-Mode 5 RMC</td> <td>26.46 dBm (PK)</td> </tr> <tr> <td>.....FDD-Mode 5 HSUPA</td> <td>23.6 dBm (AV)</td> </tr> </table>			FDD-Mode 2 RMC	23.85 dBm (PK)	FDD-Mode2 HSUPA	21.5 dBm (AV)	FDD-Mode 5 RMC	26.46 dBm (PK)FDD-Mode 5 HSUPA	23.6 dBm (AV)
FDD-Mode 2 RMC	23.85 dBm (PK)										
FDD-Mode2 HSUPA	21.5 dBm (AV)										
FDD-Mode 5 RMC	26.46 dBm (PK)										
.....FDD-Mode 5 HSUPA	23.6 dBm (AV)										
FCC-ID	L6AREA70UW										
IC	2503A-REA70UW										
Installed option	<input checked="" type="checkbox"/> GSM900 and GSM1800 Bands (not usable in USA/Canada) <input checked="" type="checkbox"/> W-LAN, Bluetooth [®] , <input checked="" type="checkbox"/> battery charging option <input checked="" type="checkbox"/> GPS (not tested within this test report) <input checked="" type="checkbox"/> FM-Radio (Receiver only, not tested within this test report) <input checked="" type="checkbox"/> NFC (not tested within this test report)										
Special EMI components	--										
EUT sample type	<input type="checkbox"/> Production	<input checked="" type="checkbox"/> Pre-Production	<input type="checkbox"/> Engineering								

Main function	Smartphone		
Type	REB71UW		
TX-frequency range	GSM 850: 824 – 849MHz (Uplink), 869-894MHz (Downlink) GSM1900: 1850-1910MHz (Uplink), 1930-1990MHz (Downlink) FDD Band 4: 1712.4–1752.6 MHz (Uplink), 2110-2155MHz (Downlink)		
Type of modulation	GSM-mode: GMSK GPRS-Mode: 8-PSK FDD-Mode Release99: QPSK FDD Mode Release 5+6: 16QAM additionally		
Number of channels	GSM 850: 128 – 251, 125 channels GSM1900: 512 – 810, 300 channels FDD Band 4: UARFCN range 1312 – 1450 – 1513		
Antenna Type	<input checked="" type="checkbox"/> Integrated <input type="checkbox"/> External, no RF- connector <input type="checkbox"/> External, separate RF-connector	Frequency range: GSM 850: 824 – 894 MHz GSM 1900: 1710-1990 MHz	
MAX PEAK Output Power: Radiated FDD Mode 4 RMC99 FDD Mode 4 HSUPA	31.23 dBm (PK) 31.2 dBm (PK)		
MAX PEAK Output Power: Conducted FDD Mode 4 RMC FDD Mode 4 HSUPA	24.47 dBm (PK) 21.50 dBm (AV)		
FCC-ID	L6AREB70UW		
IC	2503A-REB70UW		
Installed option	<input checked="" type="checkbox"/> GSM900 and GSM1800 Bands (not usable in USA/Canada) <input checked="" type="checkbox"/> W-LAN, Bluetooth® <input checked="" type="checkbox"/> battery charging option <input checked="" type="checkbox"/> GPS (not tested within this test report) <input checked="" type="checkbox"/> NFC (not tested within this test report)		
Special EMI components	--		
EUT sample type	<input type="checkbox"/> Production	<input checked="" type="checkbox"/> Pre-Production	<input type="checkbox"/> Engineering

3.2. EUT: Type, S/N etc. and short descriptions used in this test report

Short description*)	EUT	Type	S/N serial number	HW hardware status	SW software status
EUT A	Smartphone	REA71UW	IMEI: 004401138459 470	CER-41251- 001 Rev2	v7.0.0.368 PL: 9.32.0.13 Bundle: 1755
EUT B	Smartphone	REB71UW	IMEI: 004011384602 54	CER-41250- 001 Rev2	v7.0.0.378 PL: 9.32.0.14 Bundle: 1755
EUT C	Li-Io Battery				--

*) EUT short description is used to simplify the identification of the EUT in this test report.

3.3. Auxiliary Equipment (AE): Type, S/N etc. and short descriptions

AE short description *)	Auxiliary Equipment	Type	S/N serial number	HW hardware status	SW software status
AE 1	Dummy battery				

*) AE short description is used to simplify the identification of the auxiliary equipment in this test report.

3.4. EUT set-ups

EUT set-up no. *)	Combination of EUT and AE	Remarks
Set. 1	EUT A + AE 1	Used for conducted RF-tests
Set. 2	EUT B + AE 1	Used for conducted RF-tests
Set. 3	EUT A + EUT C	Used for radiated RF-tests
Set. 4	EUT B + EUT C	Used for radiated RF-tests

*) EUT set-up no. is used to simplify the identification of the EUT set-up in this test report.

3.5. EUT operating modes

EUT operating mode no. *)	Description of operating modes	Additional information
op. 1	FDD-Mode 2 12.2 kbps RMC	A communication link is established between the mobile station (UE) and the test simulator. The transmitter is operated on its maximum rated output power class: 24dBm.
op. 2	FDD-Mode 4 12.2 kbps RMC	The input signal to the receiver is modulated with normal test modulation. The wanted RF input signal level to the receiver of the mobile station is set to a level to provide a stable communication link according Table E5.1/Table E5.1A as described in 3GPP TS34.121, Annex E.
op. 3	FDD-Mode 5 12.2 kbps RMC	
op. 4	FDD Mode 2/4/5 HSDPA-Mode	
op. 5	FDD Mode 2/4/5 HSUPA-Mode	In addition to normal FDD-Mode, the UE was set to operate in HSDPA Mode too. Chosen settings: 12.2kbps RMC + HSDPA 34.108 This setting was chosen for all Release 5 mobile equipment.
op. 6	Charging battery	In addition to normal FDD-Mode, the UE was set to operate in HSDPA and HSUPA Mode too. Chosen settings: 12.2kbps RMC + HSPA 34.108 This setting was chosen for all release 6 mobile equipment.
		Charging standard battery. This operating mode is combined with other op. modes.

*) EUT operating mode no. is used to simplify the test report.

3.6. Parameter Settings on mobile phone and base station CMU200

Following settings apply to the UE (EUT) during the measurements in **FDD-Mode** only:

Parameter	Traffic Mode	Idle Mode
UARFCN UE Uplink (EUT) (according TS34.108)	FDD 2 = 9262/ 9400/ 9538 FDD 5 = 4132/ 4183/ 4233	--
UARFCN Node B (downlink) (according TS34.108)	FDD 2 = 9663/ 9800/ 9937 FDD 5 = 4358/ 4040/ 4457	
UE power class	Class 3 (+24dBm), Class 4 (+21dBm) nominal	
HSDPA UE category/ HSUPA category		
Maximum power	FDD 2/4/5 12.2kbps RMC -> all TPC bits up ("1") HSDPA-mode = accord. Subtests 1,2,3,4 defined in 3GPP TS34.121 HSUPA mode = accord. Subtests 1,2,3,4,5 defined in 3GPP TS34.121	--
Modulation	12.2kbps RMC-mode: QPSK-Modulation Scheme HSDPA/HSUPA = QPSK and 16 QAM Modulation Scheme is applicable	--
Compression mode	Off	--
Bitstream	PRBS 2E9-1 (pseudo-random-sequence) – CCITT 0.153	
Maximum data transmission rate:	GSM: 17,6 kBit/s Slot EDGE: 59,2 kBit/s Slot FDD: 12.2 kB/s	
Node B Downlink physical channels settings	According Table E.5.1/E.5.1A in 3GPP TS34.121	
External attenuation RF/AF-Input/Output	Accord. Set-up calibration prior to measurements	

For additional FDD/HSDPA/HSUPA-mode settings pls. consult chapter 9

Settings for CMU (general)

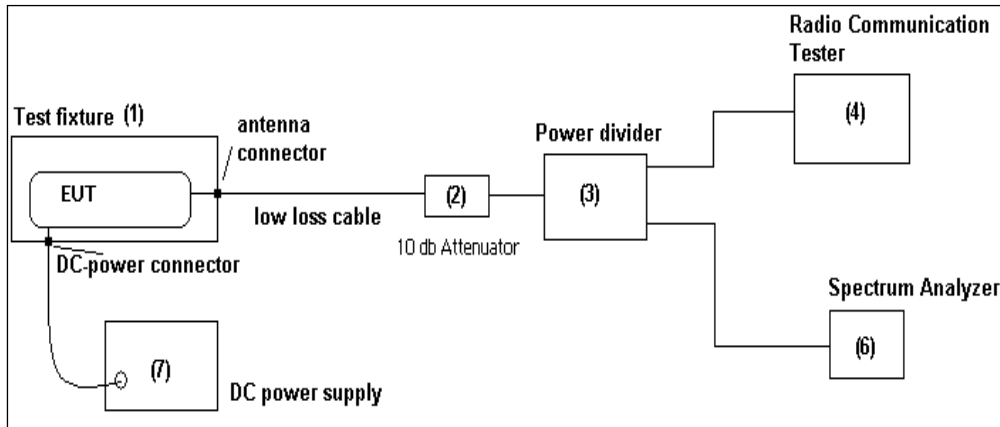
Repetition	Continuous	
Stop condition	None	
Display mode	Max./Min	
Statistic Count	1000 Bursts	
Decoder	Standard	

Additional settings on the base stations CMU200 for frequency stability measurements

4. DESCRIPTION OF TEST SET-UP'S

4.1. Test Set-up for conducted measurements

The EUT's RF-signal is coupled out by a suitable antenna coupling connector (1). The signal is first 10 dB attenuated (2) before it is 0° divided by a power divider (3). One of the signal path is connected to the communication base station (4), other branch is connected to the spectrum – analyzer (5). The specific attenuation losses for both signal paths/branches are determined prior to the measurement within a set-up calibration. These are then taken into account by correcting the measurement readings on the spectrum-analyzer.



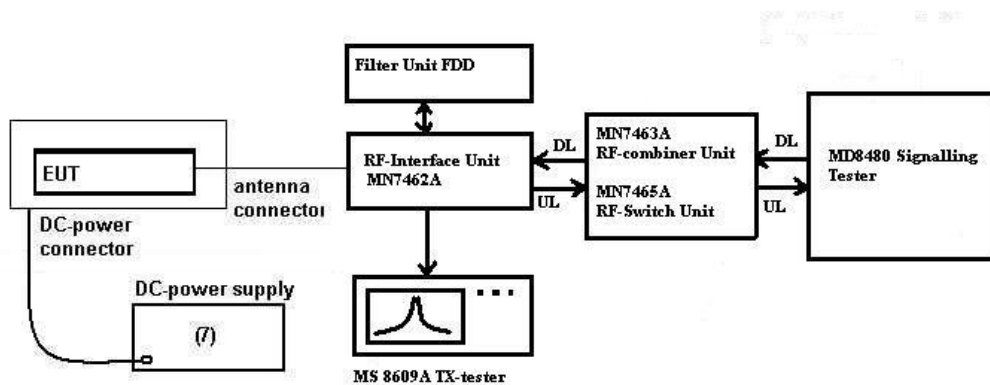
Schematic: Test set-up conducted

4.2. Mode Test Set-up for conducted power measurements in HSDPA/HSUPA op.mode

The conducted tests were performed on CETECOM's test system simulator AnritsuME7873F. The main block diagram shows the most important portion of the simulator regarding the power measuring.

The EUT's RF-signal is coupled out of the EUT by a suitable antenna coupling connector which is delivered by the applicant. The signal is fed to the RF-Interface unit which has the role to split the signal between the TX-tester MS8609 and the Signalling tester MD8480. The filter unit implements transmission filter for the bands under interest. The RF-combiner unit can fed additional signals like FADING or NOISE signals but these functions are disabled for testing the power according standard 3GPP 34.121 Chapter 5.2. All system is software controlled over a PC.

The system simulator is annually calibrated. The final readings are corrected by the cable loss from the EUT to the RF-Interface unit.



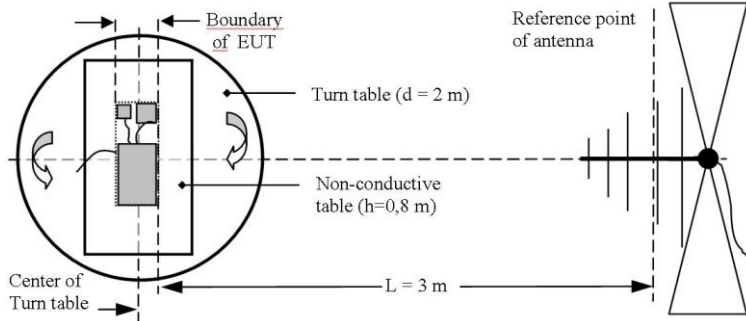
Schematic: Test set-up conducted on test system

4.3. Test set-up for radiated measurements

Please see below description and schematic for radiated measurements used set-up.

MEASUREMENT METHOD (30 MHz <math>f < 1\text{ GHz}</math>):

A EMI analyzer together with a broadband antenna was used in order to identify the emissions from the EUT by positioning the antenna close to the EUT surfaces. The interconnecting cables and equipment position were varied in order to maximize the emissions. Then most critical frequencies are recorded for further investigations. Based on the exploratory measurements, the most critical frequencies are re-measured by maintaining the EUT's operating mode, cable position, etc. The EUT was placed on a non-conductive support of 0.8 m height. By rotating the turntable angle in the range 0 to 360 degree, the EUT itself either



over 3-orthogonal axis (not defined usage position) or 2-orthogonal axis (defined usage position) and the measurement antenna height from 1 meter to 4 meters, the maximized emissions are recorded. The measurements are performed for both polarizations of the measuring antenna: horizontal and vertical.

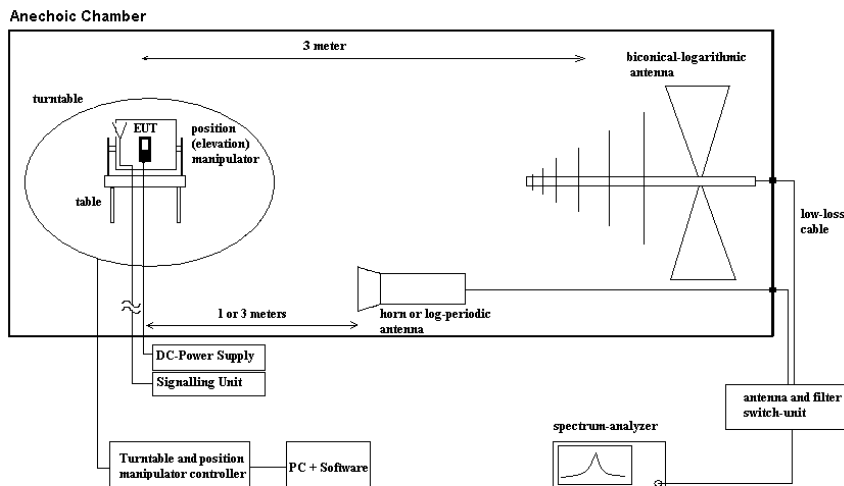
over 3-orthogonal axis (not defined usage position) or 2-orthogonal axis (defined usage position) and the measurement antenna height from 1 meter to 4 meters, the maximized emissions are recorded. The measurements are performed for both polarizations of the measuring antenna: horizontal and vertical.

MEASUREMENT METHOD (1 GHz <math>f < 26.5\text{ GHz}</math>):

The EUT and accessories are placed on a non-conducting tipping table of 0.8 meter height (semi-anechoic chamber) or 1.55m height (fully-anechoic chamber) which is situated in the middle of the turntable. The turntable can rotate the device under test 360 degree, the tipping table can rotate the device from laid to standing position. This way the device under test can be rotated in all three orthogonal planes in order to maximize the detected emissions. The turn- and tipping table are controlled by a controller unit. All positions manipulations are software controlled from a operator PC.

The measurements are performed for both receiving antenna polarisations: vertical and horizontal.

Up to 18 GHz a measurement distance of 3 meters is used, above 18 GHz the distance is 1 meter. A biconical-logarithmic antenna up to 1 GHz and a logarithmic-periodic antenna for frequencies above 1 GHz up to 26.5 GHz is used. For frequencies above 26.5 GHz a horn antenna is used, pls. compare the equipment list for more details.



The EUT is powered either by an external DC-supply with nominal voltage or a AC/DC power supply as accessory. The communication signalling (if necessary for operation) is performed from outside the chamber with a communication test simulator (CMU200 from Rohde&Schwarz) and a signalling antenna placed near the EUT.

Schematic: radiated measurements test set-up

5. Measurements

5.1. RF power output (conducted)

5.1.1. Test location and equipment (for reference numbers please see chapter 'List of test equipment')

test site	<input type="checkbox"/> 441 EMI SAR	<input type="checkbox"/> 348 EMI cond.	<input type="checkbox"/> 443 EMI FAR	<input checked="" type="checkbox"/> 347 Radio.lab.	<input type="checkbox"/> 337 OATS	<input type="checkbox"/>
spectr. analys.	<input type="checkbox"/> 584 FSU	<input type="checkbox"/> 120 FSEM	<input type="checkbox"/> 264 FSEK	<input checked="" type="checkbox"/> 489 ESU	<input type="checkbox"/>	<input type="checkbox"/>
power meter	<input type="checkbox"/> 009 NRV	<input type="checkbox"/> 010 URV5-Z2	<input type="checkbox"/> 011 URV5-Z2	<input type="checkbox"/>	<input type="checkbox"/>	<input type="checkbox"/>
signalgener.	<input type="checkbox"/> 008 SMG	<input type="checkbox"/> 140 SMHU	<input type="checkbox"/> 263 SMP04	<input type="checkbox"/>	<input type="checkbox"/>	<input type="checkbox"/>
power meter	<input type="checkbox"/> 262 NRV-S	<input type="checkbox"/> 266 NRV-Z31	<input type="checkbox"/> 265 NRV-Z33	<input type="checkbox"/> 261 NRV-Z55	<input checked="" type="checkbox"/> MC-TRX	<input type="checkbox"/>
multimeter	<input type="checkbox"/> 341 Fluke 112	<input type="checkbox"/>	<input type="checkbox"/>	<input type="checkbox"/>	<input type="checkbox"/>	<input type="checkbox"/>
signaling	<input type="checkbox"/> 392 MT8820A	<input checked="" type="checkbox"/> 436 CMU		<input checked="" type="checkbox"/> 248 6 dB Att. +cable TA20		

5.1.2. Test condition and measurement test set-up

link to test system (if used):	<input type="checkbox"/> air link	<input checked="" type="checkbox"/> cable connection	<input type="checkbox"/>
EUT-grounding	<input type="checkbox"/> none	<input type="checkbox"/> with power supply	<input type="checkbox"/> additional connection
Equipment set up	<input checked="" type="checkbox"/> table top 1.5m height		<input type="checkbox"/> floor standing
Climatic conditions	Temperature: (22±3°C)		Rel. humidity: (40±20)%

5.1.3. Requirement

- Maximum Power Output of the mobile phone should be determined while measured conducted and radiated way
- Regulatory Limit for GSM850/FDD5 mobile equipment: 7 Watt
- Regulatory Limit for FDD4 mobile equipment: 1 Watt AV
- Regulatory Limit for GSM1900/FDD2 mobile equipment: 2 Watt

5.1.4. Measurement conditions and procedure

- conducted set-up used, see chapter 4.1 for RMC99 power measurements, 4.2 for HSDPA/HSUPA measurements
- UE is set TX mode, highest transmit power conditions. If the EUT supports multiple HSDPA and HSUPA operating modes the tests were performed in this test modes too. Pls. refer to annex 9 for detailed settings and test configuration.
- UE set to low, middle, and high nominal operating frequency within the operating range

5.1.5. Measurement procedure

- The UE was set to work according its nominal specification as stated by the applicant.
- The measurements were performed with the integrated power measurement capability of the CMU200 base simulator. Specific loss due to the measurement set-up was determined prior to the measurement and the measurement values correlated with this correction values.
- The power values have been recorded for Peak- and also Average values where possible

5.1.6. Results

W-CDMA BAND 2

EUT		Set-up 1, Op. Mode 1						Remarks
Test case	Subtest No.	Power[dBm]						
		UARFCN no. 9262		UARFCN no. 9400		UARFCN no. 9538		
		PK	AV	PK	AV	PK	AV	
Release 99, 12.2kbps RMC	--	23.82	20.77	23.43	20.44	23.85	20.80	PAR factor <13dB
HSDPA, Release 5	1	--	21.4	--	21.1	--	21.3	According 3GPP34.121 only RMS values are measured
	2	--	21.5	--	21.1	--	21.3	
	3	--	21	--	20.6	--	20.8	
	4	--	21	--	20.6	--	20.8	
HSUPA, Release 6	1	--	20.6	--	21.1	--	20.4	
	2	--	19.3	--	21.1	--	19.2	
	3	--	20.2	--	20.6	--	20.1	
	4	--	19.4	--	20.6	--	19.3	
	5	--	21.5	--	21.1	--	21.4	

W-CDMA BAND 4

EUT		Set-up 2, Op. Mode 2						Remarks
Test case	Subtest No.	Power[dBm]						
		UARFCN no. 1312		UARFCN no. 1450		UARFCN no. 1513		
		PK	AV	PK	AV	PK	AV	
Release 99, 12.2kbps RMC	--	24.21	21.11	24.47	21.29	24.22	21.88	PAR factor approx. 3..3.5dB <13dB
HSDPA, Release 5	1	--	21.4	--	21.4	--	21.5	According 3GPP34.121 only RMS values are measured
	2	--	21.5	--	21.5	--	21.5	
	3	--	20.9	--	20.9	--	21	
	4	--	21	--	21	--	21	
HSUPA, Release 6	1	--	20.5	--	20.5	--	20.6	
	2	--	19.3	--	19.2	--	19.3	
	3	--	20.2	--	20.2	--	20.3	
	4	--	19.3	--	19.3	--	19.3	
	5	--	21.5	--	21.4	--	21.5	

W-CDMA BAND 5

EUT		Set-up 1, Op. Mode 3						
Test case	Subtest No.	Power[dBm]						Remarks
		UARFCN no. 4132		UARFCN no. 4183		UARFCN no. 4233		
		PK	AV	PK	AV	PK	AV	
Release 99, 12.2kbps RMC	--	26.45	23.48	26.28	23.34	26.46	23.46	PAR factor <13dB
HSDPA, Release 5	1	--	23.6	--	23.6	--	23.6	According 3GPP34.121 only RMS values are measured
	2	--	23.6	--	23.5	--	23.6	
	3	--	23.1	--	23	--	23.1	
	4	--	23.1	--	23	--	23.1	
HSUPA, Release 6	1	--	22.7	--	22.6	--	22.7	
	2	--	21.4	--	21.3	--	21.5	
	3	--	22.3	--	22.3	--	22.4	
	4	--	21.3	--	21.3	--	21.5	
	5	--	23.6	--	23.6	--	23.5	

5.2. RF power output (radiated) ERP/EIRP

5.2.1. Test location and equipment (for reference numbers please see chapter 'List of test equipment')

test site	<input type="checkbox"/> 441 EMI SAR	<input type="checkbox"/> 348 EMI cond.	<input checked="" type="checkbox"/> 443 EMI FAR	<input type="checkbox"/> 347 Radio.lab.	<input type="checkbox"/> 337 OATS	<input type="checkbox"/>
spectr. analys.	<input type="checkbox"/> 584 FSU	<input type="checkbox"/> 120 FSEM	<input checked="" type="checkbox"/> 264 FSEK	<input type="checkbox"/> 489 ESU	<input type="checkbox"/>	<input type="checkbox"/>
antenna	<input checked="" type="checkbox"/> 540 HL 025	<input checked="" type="checkbox"/> 608 HL 562				
multimeter	<input type="checkbox"/> 341 Fluke 112	<input type="checkbox"/>	<input type="checkbox"/>	<input type="checkbox"/>	<input type="checkbox"/>	<input type="checkbox"/>
signaling	<input type="checkbox"/> 392 MT8820A	<input type="checkbox"/> 436 CMU	<input checked="" type="checkbox"/> 546 CMU			
DCpower	<input type="checkbox"/> 086 LNG50-10	<input type="checkbox"/> 087 EA3013	<input type="checkbox"/> 354 NGPE 40	<input type="checkbox"/> 349 car battery	<input type="checkbox"/> 350 Car battery	<input type="checkbox"/>
line voltage	<input type="checkbox"/> 230 V 50 Hz via public mains		<input type="checkbox"/> 060 110 V 60 Hz via PAS 5000			

5.2.2. Test condition and measurement test set-up

link to test system (if used):	<input checked="" type="checkbox"/> air link	<input type="checkbox"/> cable connection	<input type="checkbox"/>
EUT-grounding	<input checked="" type="checkbox"/> none	<input type="checkbox"/> with power supply	<input type="checkbox"/> additional connection
Equipment set up	<input checked="" type="checkbox"/> table top 1.5m height		<input type="checkbox"/> floor standing
Climatic conditions	Temperature: (22±3°C)		Rel. humidity: (40±20)%

5.2.3. Requirement

- Regulatory Limit for GSM850/FDD5 mobile equipment: 7 Watt
- Regulatory Limit for FDD4 mobile equipment: 1 Watt AV
- Regulatory Limit for GSM1900/FDD2 mobile equipment: 2 Watt

5.2.4. Measurement conditions

- radiated set-up, see chapter 4
- UE is set TX mode, highest transmit power conditions in R99 settings
- UE set to low, middle, and high nominal operating frequency within the operating range
- Compare chapter 4 for details of test configuration and settings chosen on the EUT and base system simulator

5.2.5. Measurement procedure

The measurements were made at the upper, center, and lower carrier traffic frequencies of the operating band. Choosing three TX-carrier frequencies of the mobile phone, should be sufficient to demonstrate compliance.

The measurements were performed by using the **substitution method** (ANSI/TIA/EIA 603) with a spectrum-analyzer. This method can be described like follows:

1.) choosing of suitable spectrum-analyzer settings for performing the measurements. This settings of the spectrum analyzer must be maintained for both stages of the measurements: EUT emission measurements and also for measurements of the substituted level.

2.)

Parameter	Settings
RBW	10 MHz
VBW	10 MHz
Span	100 MHz
Detector Mode	Positive max-hold
Average	off
Sweep Time	coupled

3.) The maximum level of the peak power was recorded, while the emissions were maximized by rotating the EUT in three orthogonal axes, which was situated on a non-conductive turntable of 1.55 m height ($P_{MEAS,1}$). This was performed for both measuring antenna polarisations (vertical/horizontal), the maximum of both values is used for further measurements and final substitution ($P_{MEAS,1,MAX}$).

4.) As the maximum emission is recorded, the EUT is replaced by a frequency dependant suitable antenna, which is connected to a RF-signal generator, which is transmitting on the determined worst-case frequency as determined in step 2.

5.) The RF-signal level of the signal generator is adjusted as long the same worst-case level determined first step is measured at the spectrum analyzer ($P_{SMHU}=P_{MEAS,1,MAX}$)

6.) Than the RF-signal cable is disconnected from the antenna and connected to a power-level meter. The level is determined ($P_{MEAS,2}$).

7.) The final result is calculated by adding the EIRP gain of the antenna which substitutes the EUT.
 $P_{EUT,SUBST} = P_{MEAS,2} + G_{Antenna}$

5.2.6. Results

EUT		Set-up 3, Op. Mode 1				
Band	Channel No.	Frequency	Maximum value (EIRP)	Limit	Result	Remarks
2	UARFCN no. 9262	1852.4	30.6	2 Watt	Passed	--
	UARFCN no. 9400	1880	29.5			
	UARFCN no. 9538	1907.6	29.9			

EUT		Set-up 3, Op. Mode 3				
Band	Channel No.	Frequency	Maximum value (ERP)	Limit	Result	Remarks
5	UARFCN no. 4132	826.4	24.4	7 Watt	Passed	--
	UARFCN no. 4185	837	25.2			
	UARFCN no. 4233	846.6	26.2			

EUT		Set-up 4, Op. Mode 2				
Band	Channel No.	Frequency	Maximum value (ERP)	Limit	Result	Remarks
4	UARFCN no. 1312	1712.4	29.48 (PK) 26.38 (AV)	1 Watt AVERAGE	Passed	Crest factor used for calculation of AVERAGE value (Chapter 5.1.6)
	UARFCN no. 1450	1740.0	30.74 (PK) 27.56 (AV)			
	UARFCN no. 1513	1752.6	31.23 (PK) 28.89 (AV)			

5.3. Occupied bandwidth and emission bandwidth

5.3.1. Test location and equipment (for reference numbers please see chapter 'List of test equipment')

test site	<input type="checkbox"/> 441 EMI SAR	<input type="checkbox"/> 348 EMI cond.	<input type="checkbox"/> 443 EMI FAR	<input checked="" type="checkbox"/> 347 Radio.lab.	<input type="checkbox"/> 337 OATS	<input type="checkbox"/>
equipment	<input type="checkbox"/> 331 HC 4055	<input type="checkbox"/>	<input type="checkbox"/>	<input type="checkbox"/>	<input type="checkbox"/>	<input type="checkbox"/>
spectr. analys.	<input type="checkbox"/> 584 FSU	<input checked="" type="checkbox"/> 120 FSEM	<input type="checkbox"/> 264 FSEK	<input checked="" type="checkbox"/> 489 ESU	<input type="checkbox"/>	<input type="checkbox"/>
power	<input checked="" type="checkbox"/> 463 Power source	<input checked="" type="checkbox"/> 530 10 dB attenuator	<input type="checkbox"/>	<input type="checkbox"/>	<input type="checkbox"/>	<input type="checkbox"/>
signaling	<input type="checkbox"/> 392 MT8820A	<input type="checkbox"/> 436 CMU	<input checked="" type="checkbox"/> 547 CMU			
DCpower	<input type="checkbox"/> 086 LNG50-10	<input type="checkbox"/> 087 EA3013	<input checked="" type="checkbox"/> 354 NGPE 40	<input type="checkbox"/> 349 car battery	<input type="checkbox"/> 350 Car battery	<input type="checkbox"/>
line voltage	<input type="checkbox"/> 230 V 50 Hz via public mains		<input type="checkbox"/> 060 110 V 60 Hz via PAS 5000			

5.3.2. Test condition and measurement test set-up

link to test system (if used):	<input type="checkbox"/> air link	<input checked="" type="checkbox"/> cable connection	<input type="checkbox"/>
Climatic conditions	Temperature: (22±3°C)		Rel. humidity: (40±20)%

5.3.3. Requirements:

the UE occupied channel bandwidth containing 99% of the total integrated power should be less than 5 MHz, based on a chip rate of 3.84Mcps

5.3.4. Measurement conditions

- conducted set-up, see chapter 4.1
- UE set to low, middle, and high nominal operating frequency within the operating range
- UE Power is set to maximum; continuous transmission in RMC99 mode

5.3.5. Measurement procedure

Following settings were chosen on the spectrum analyzer:

Measurement	Center Frequency	Span	RBW	VBW	Sweep Time	Sweep Mode	Detector
26dB BW	Nominal carrier frequency	7.5 MHz	100 kHz	300 kHz	coupled	Repetitive, max-hold	RMS
99% OBW	Nominal carrier frequency	7.5 MHz	100 kHz	1000 kHz	coupled	Single	RMS

The used spectrum analyzer FSE/ESU from Rohde&Schwarz contains an integrated function to calculate the *Occupied bandwidth* automatically. From left and right display margin, the upper and lower frequency points where the accumulated power becomes 0.5% of the total power, are calculated. Subtracting the previous determined two frequency points, yields the *Occupied bandwidth*.

Also the 26dB emission bandwidth was measured, defined as a bandwidth between 2 markers which are 26dBc compared to highest In-Band Peak Emission.

5.3.6. Results

EUT		Set-up 1, Op. Mode 1/5		
Test case	Channel	Occupied bandwidth [MHz]	Emission bandwidth [MHz]	Remarks
R99, 12.2 kbps RMC	9262	4.0865	4.5913	diagram see annex A1
HSUPA Mode		4.0761	4.6893	
R99, 12.2 kbps RMC	9400	4.0625	4.5913	
HSUPA Mode		4.0761	4.6653	
R99, 12.2 kbps RMC	9538	4.1105	4.6153	
HSUPA Mode		4.0761	4.6773	

EUT		Set-up 2, Op. Mode 2/5		
Test case	Channel	Occupied bandwidth [MHz]	Emission bandwidth [MHz]	Remarks
R99, 12.2 kbps RMC	1312	4.0769	4.6346	diagram see annex A1
HSUPA Mode		4.0769	4.6730	
R99, 12.2 kbps RMC	1450	4.0384	4.6250	
HSUPA Mode		4.0769	4.6923	
R99, 12.2 kbps RMC	1513	4.0480	4.6346	
HSUPA Mode		4.0673	4.6538	

EUT		Set-up 1, Op. Mode 3/5		
Test case	Channel	Occupied bandwidth [MHz]	Emission bandwidth [MHz]	Remarks
R99, 12.2 kbps RMC	4132	4.0384	4.6057	diagram see annex A1
HSUPA Mode		4.0521	4.6773	
R99, 12.2 kbps RMC	4183	4.0745	4.6250	
HSUPA Mode		4.0881	4.6893	
R99, 12.2 kbps RMC	4233	4.0576	4.5961	
HSUPA Mode		4.0641	4.6773	

5.4. Spurious emission measurements at antenna terminals (conducted)

5.4.1. Test location and equipment (for reference numbers please see chapter 'List of test equipment')

test site	<input type="checkbox"/> 441 EMI SAR	<input type="checkbox"/> 348 EMI cond.	<input type="checkbox"/> 443 EMI FAR	<input checked="" type="checkbox"/> 347 Radio.lab.	<input type="checkbox"/> 337 OATS	<input type="checkbox"/>
equipment	<input type="checkbox"/> 331 HC 4055	<input type="checkbox"/>	<input type="checkbox"/>	<input type="checkbox"/>	<input type="checkbox"/>	<input type="checkbox"/>
spectr. analys.	<input type="checkbox"/> 584 FSU	<input type="checkbox"/> 120 FSEM	<input type="checkbox"/> 264 FSEK	<input checked="" type="checkbox"/> 489 ESU	<input type="checkbox"/>	<input type="checkbox"/>
power	<input type="checkbox"/> 463 Power source	<input checked="" type="checkbox"/> 530 10 dB attenuator	<input checked="" type="checkbox"/> 529 6dB power divider	<input type="checkbox"/>	<input type="checkbox"/>	<input type="checkbox"/>
signaling	<input type="checkbox"/> 392 MT8820A	<input type="checkbox"/> 436 CMU	<input checked="" type="checkbox"/> 547 CMU			
DCpower	<input type="checkbox"/> 086 LNG50-10	<input type="checkbox"/> 087 EA3013	<input checked="" type="checkbox"/> 354 NGPE 40	<input type="checkbox"/> 349 car battery	<input type="checkbox"/> 350 Car battery	<input type="checkbox"/>
line voltage	<input type="checkbox"/> 230 V 50 Hz via public mains		<input type="checkbox"/> 060 110 V 60 Hz via PAS 5000			

5.4.2. Test condition and measurement test set-up

link to test system (if used):	<input type="checkbox"/> air link	<input checked="" type="checkbox"/> cable connection	<input type="checkbox"/>
EUT-grounding	<input type="checkbox"/> none	<input type="checkbox"/> with power supply	<input type="checkbox"/> additional connection
Equipment set up	<input checked="" type="checkbox"/> table top 1.5m height		<input type="checkbox"/> floor standing
Climatic conditions	Temperature: (22±3°C)		Rel. humidity: (40±20)%

5.4.3. Requirement

Part 22.917(a) & Part 24.238(a):

(a) *Out of band emissions. The power of any emission outside of the authorized operating frequency ranges must be attenuated below the transmitting power (P) by a factor of at least 43 + 10 log(P) dB*

§27.53(g):

For operations in the 1710–1755 MHz and 2110–2155 MHz bands, the power of any emission outside a licensee’s frequency block shall be attenuated below the transmitter power (P) by at least 43 + 10 log10(P) dB..

However, in the 1 megahertz bands immediately outside and adjacent to the licensee’s frequency block, a resolution bandwidth of at least one percent of the emission bandwidth of the fundamental emission of the transmitter may be employed.

(1) Compliance with this provision is based on the use of measurement instrumentation employing a resolution bandwidth of 1 megahertz or greater. However, in the 1 megahertz bands immediately outside and adjacent to the licensee’s frequency block, a resolution bandwidth of at least one percent of the emission bandwidth of the fundamental emission of the transmitter may be employed. The emission bandwidth is defined as the width of the signal between two points, one below the carrier center frequency and one above the carrier center frequency, outside of which all emissions are attenuated at least 26 dB below the transmitter power.

5.4.4. Measurement conditions

- Conducted set-up used, see chapter 4.1
- UE is set TX mode, highest transmit power conditions
- UE set to low, middle, and high nominal operating frequency within the operating range
- Tests have been done in Rel99, 12.2 kbps RMC operating mode

5.4.5. Measurement procedure

The spectrum was scanned up to 10th harmonic of the carrier frequenc.

Settings on spectrum analyzer for frequencies outside the frequency block:

Frequency range	RBW	VBW	Sweep Time	Sweep Mode	Detector
9kHz .. 18 GHz	1MHz	3 MHz	High enough to maintain necessary accuracy	Repetitive scan, Max-Hold mode	Max-Peak

Settings on spectrum analyzer for Band-Edge compliance measurements:

Band	Frequency range	RBW	VBW	Sweep Time	Sweep Mode	Detector
5	823-824 MHz 849-850 MHz	30kHz	300 kHz	High enough to maintain necessary accuracy	Repetitive scan, Max-Hold mode	Max-Peak
4	1709-1710 MHz 1755-1756 MHz					
2	1849-1850 MHz 1910-1911 MHz					

Due to not available exact 1% RBW of the measurement equipment, the lower available RBW was used for these measurements.

An an additional correction factor of 10 Log (RBW1/ RBW2) to the 43 +10 Log (P) limit was added, resulting in a lower limit.

RBW1 is the narrower measurement resolution bandwidth (used RBW) and RBW2 is either the 1% emissions bandwidth or 1 MHz. **(KDB890810)**

5.4.6. Results FDD Band II voice mode

Channel low:						
EUT	Set-up 1, Op. Mode 1					
Diagram No.	Spurious frequency [MHz]	Maximum value [dBm]	Limit [dBm]	Margin to limit [dB]	Result	Remarks
--	15.31	-58.0	-13 dBm	>20	Passed	--
4.25	--	<-28.0		>15	Passed	Carrier on diagram on 1853.8MHz
4.29	1849.9	-33.26 + 2.21 = -31.05		18.05	Passed	Band-Edge compliance Correction factor 10log(50kHz/30KHz) to be used=2.21dB

Channel middle:						
EUT	Set-up 1, Op. Mode 1					
Diagram No.	Spurious frequency [MHz]	Maximum value [dBm]	Limit [dBm]	Margin to limit [dB]	Result	Remarks
4.28	--	<-50.99	-13 dBm	>20	Passed	--
4.26	13382.55	-29.44		16.44	Passed	Carrier on diagram on 1880.8Mhz

Channel high:						
EUT	Set-up 1, Op. Mode 1					
Diagram No.	Spurious frequency [MHz]	Maximum value [dBm]	Limit [dBm]	Margin to limit [dB]	Result	Remarks
--	8.01	-55.25	-13 dBm	>20	Passed	--
4.27	--	<28.0		>15	Passed	Carrier on diagram on 1906.6MHz
4.30	1910.01	-31.42 + 2.21 = -29.21		16.21	Passed	Band-Edge compliance Correction factor 10log(50kHz/30KHz) to be used=2.21dB

5.4.7. Results FDD Band II - HSUPA Mode

Channel low:						
EUT	Set-up 1, Op. Mode 1/5					
Diagram No.	Spurious frequency [MHz]	Maximum value [dBm]	Limit [dBm]	Margin to limit [dB]	Result	Remarks
--	13.03	-57.22	-13 dBm	>20	Passed	--
B_5.01	11710 14315	-30.14 -30.54		>17 >17	Passed	Carrier on diagram on 1852.0MHz
4.45	1849.87	-32.22 + 2.21 = -30.01		17.01	Passed	Band-Edge compliance Correction factor 10log(50kHz/30KHz) to be used=2.21dB

Channel middle:						
EUT	Set-up 1, Op. Mode 1/5					
Diagram No.	Spurious frequency [MHz]	Maximum value [dBm]	Limit [dBm]	Margin to limit [dB]	Result	Remarks
14.13	16.01	-58.03	-13 dBm	>20	Passed	--
B_5.02	17709.9	-29.48		16.48	Passed	Carrier on diagram on 1879.6 MHz

Channel high:						
EUT	Set-up 1, Op. Mode 1/5					
Diagram No.	Spurious frequency [MHz]	Maximum value [dBm]	Limit [dBm]	Margin to limit [dB]	Result	Remarks
--	13.54	-57.17	-13 dBm	>20	Passed	--
B_14.14	9345.05 17698.8	-32.58 -29.90		19.58 16.9	Passed	Carrier on diagram on 1906.6MHz
4.46	1910.07	-32.38 + 2.21 = -30.07		17.07	Passed	Band-Edge compliance Correction factor 10log(50kHz/30KHz) to be used=2.21dB

5.4.8. Results FDD Band IV Voice Mode

Channel low:						
EUT	Set-up 2, Op. Mode 2					
Diagram No.	Spurious frequency [MHz]	Maximum value [dBm]	Limit [dBm]	Margin to limit [dB]	Result	Remarks
--	1.65	-49.10	-13 dBm	>20dB	Passed	--
4.31	--	<-30		>17.0	Passed	Carrier on diagram at 1711.0MHz
4.35	1.709	-32.27 + 2.21 = -30.06		>17	Passed	Band-Edge compliance Correction factor 10log(50kHz/30kHz) to be used=2.21dB

Channel middle:						
EUT	Set-up 2, Op. Mode 2					
Diagram No.	Spurious frequency [MHz]	Maximum value [dBm]	Limit [dBm]	Margin to limit [dB]	Result	Remarks
4.34	1.48	-50.92	-13 dBm	>20	Passed	--
4.32	--	<-30.0		>17	Passed	Noise level Carrier on diagram on 1733.8MHz

Channel high:						
EUT	Set-up 2, Op. Mode 2					
Diagram No.	Spurious frequency [MHz]	Maximum value [dBm]	Limit [dBm]	Margin to limit [dB]	Result	Remarks
--	13.78	-57.69	-13 dBm	>20	Passed	--
4.33	--	< 28.0		>15	Passed	Carrier on diagram on 1751.2MHz
4.36	1.75	-30.81 + 2.21 = -28.6		>	>15.6	Band-Edge compliance Correction factor 10log(50kHz/30kHz) to be used=2.21dB

5.4.9. Results FDD Band IV HSUPA Mode

Channel low:						
EUT	Set-up 2, Op. Mode 2/5					
Diagram No.	Spurious frequency [MHz]	Maximum value [dBm]	Limit [dBm]	Margin to limit [dB]	Result	Remarks
--	20.24	-57.77	-13 dBm	>20	Passed	--
4.37	--	<-29.0		>16	Passed	Carrier on diagram at 1711.6MHz
4.41	1709.9	-33.01 + 2.21 = -30.8		17.8	Passed	Band-Edge compliance Correction factor $10\log(50\text{kHz}/30\text{kHz})$ to be used=2.21dB

Channel middle:						
EUT	Set-up 2, Op. Mode 2/5					
Diagram No.	Spurious frequency [MHz]	Maximum value [dBm]	Limit [dBm]	Margin to limit [dB]	Result	Remarks
--	--	< -50.70	-13 dBm	>20	Passed	--
4.38	--	<30.0		>17	Passed	Noise level Carrier on diagram on 1731.4MHz

Channel high:						
EUT	Set-up 2, Op. Mode 2/5					
Diagram No.	Spurious frequency [MHz]	Maximum value [dBm]	Limit [dBm]	Margin to limit [dB]	Result	Remarks
--	1.13	-50.92	-13 dBm	>20	Passed	--
4.39	--	<-30.0		>17	Passed	Carrier on diagram on 1751.2MHz
4.42	1755.13	-32.28 + 2.21 = -30.07		-17.07	>15.6	Band-Edge compliance Correction factor $10\log(50\text{kHz}/30\text{kHz})$ to be used=2.21dB

5.4.10. Results FDD Band V- Voice Mode

Channel low:						
EUT	Set-up 1, Op. Mode 3					
Diagram No.	Spurious frequency [MHz]	Maximum value [dBm]	Limit [dBm]	Margin to limit [dB]	Result	Remarks
--	--	<-51.33	-13 dBm	>20	Passed	--
4.21	--	<-32.0		>19	Passed	Carrier on diagram on 827.72MHz
4.19	824.0	-29.71 + 2.21 = -27.5		>14.5	Passed	Band-Edge compliance Correction factor 10log(50kHz/30kHz) to be used=2.21dB

Channel middle:						
EUT	Set-up 1, Op. Mode 3					
Diagram No.	Spurious frequency [MHz]	Maximum value [dBm]	Limit [dBm]	Margin to limit [dB]	Result	Remarks
4.24	--	<-50.79	-13 dBm	>20	Passed	--
4.22	--	<-32.0		>19	Passed	Carrier on diagram on 835.1MHz

Channel high:						
EUT	Set-up 1, Op. Mode 3					
Diagram No.	Spurious frequency [MHz]	Maximum value [dBm]	Limit [dBm]	Margin to limit [dB]	Result	Remarks
--	--	<-51.27	-13 dBm	>20	Passed	--
4.23	--	<-30.0		>17	Passed	Carrier on diagram on 845.57
4.20	849.00	-28.97 + 2.21 = 26.76		13.76	Passed	Band-Edge compliance Correction factor 10log(50kHz/30kHz) to be used=2.21dB

5.4.11. Results FDD Band V HSUPA Mode

Channel low:						
EUT	Set-up 1, Op. Mode 3/5					
Diagram No.	Spurious frequency [MHz]	Maximum value [dBm]	Limit [dBm]	Margin to limit [dB]	Result	Remarks
B_47	16.29	-57.54	-13 dBm	>20	Passed	--
B_14.15	11813	-30.89		>17	Passed	Carrier on diagram on 826.56MHz
4.43	823.99	-33.38 + 2.21 = -31.17		18.17	Passed	Band-Edge compliance Correction factor $10\log(50\text{kHz}/30\text{KHz})$ to be used=2.21dB

Channel middle:						
EUT	Set-up 1, Op. Mode 3/5					
Diagram No.	Spurious frequency [MHz]	Maximum value [dBm]	Limit [dBm]	Margin to limit [dB]	Result	Remarks
B_14.17	--	-58.11	-13 dBm	>20	Passed	--
B_14.16	6710.7 12247	-33.83 -30.08		10.83 17.08	Passed	Carrier on diagram on 836.26MHz

Channel high:						
EUT	Set-up 1, Op. Mode 3/5					
Diagram No.	Spurious frequency [MHz]	Maximum value [dBm]	Limit [dBm]	Margin to limit [dB]	Result	Remarks
B_4.48	--	-58.07	-13 dBm	>20	Passed	--
B_14.18	6653.8	-32.79		19.79	Passed	Carrier on diagram on 845.57
4.44	849.11	-34.24 + 2.21 = -32.03		19.03	Passed	Band-Edge compliance Correction factor $10\log(50\text{kHz}/30\text{KHz})$ to be used=2.21dB

5.5. Radiated spurious emission measurements outside the licensee’s frequency block

5.5.1. Test location and equipment (for reference numbers please see chapter 'List of test equipment')

test site	<input type="checkbox"/> 441 EMI SAR	<input type="checkbox"/> 348 EMI cond.	<input checked="" type="checkbox"/> 443 EMI FAR	<input type="checkbox"/> 347 Radio.lab.	<input type="checkbox"/> 337 OATS	<input type="checkbox"/>
equipment	<input type="checkbox"/> 331 HC 4055	<input type="checkbox"/>	<input type="checkbox"/>	<input type="checkbox"/>	<input type="checkbox"/>	<input type="checkbox"/>
spectr. analys.	<input type="checkbox"/> 584 FSU	<input type="checkbox"/> 120 FSEM	<input checked="" type="checkbox"/> 264 FSEK	<input type="checkbox"/> 489 ESU	<input type="checkbox"/>	<input type="checkbox"/>
antenna meas	<input type="checkbox"/> 574 BTA-L	<input type="checkbox"/> 289 CBL 6141	<input checked="" type="checkbox"/> 608 HL 562	<input checked="" type="checkbox"/> 549 HL025	<input type="checkbox"/> 302 BBHA9170	<input type="checkbox"/> 477 GPS
antenna meas	<input type="checkbox"/> 123 HUF-Z2	<input type="checkbox"/> 132 HUF-Z3	<input type="checkbox"/> 030 HFH-Z2	<input type="checkbox"/>	<input type="checkbox"/>	<input type="checkbox"/>
antenna subst	<input type="checkbox"/> 071 HUF-Z2	<input type="checkbox"/> 020 EMCO3115	<input type="checkbox"/> 063 LP 3146	<input type="checkbox"/> 303 BBHA9170	<input type="checkbox"/>	<input type="checkbox"/>
power meter	<input type="checkbox"/> 009 NRV	<input type="checkbox"/> 010 URV5-Z2	<input type="checkbox"/> 011 URV5-Z2	<input type="checkbox"/>	<input type="checkbox"/>	<input type="checkbox"/>
signalgener.	<input type="checkbox"/> 008 SMG	<input type="checkbox"/> 140 SMHU	<input type="checkbox"/> 263 SMP04	<input type="checkbox"/>	<input type="checkbox"/>	<input type="checkbox"/>
power meter	<input type="checkbox"/> 262 NRV-S	<input type="checkbox"/> 266 NRV-Z31	<input type="checkbox"/> 265 NRV-Z33	<input type="checkbox"/> 261 NRV-Z55	<input type="checkbox"/> 356 NRV-Z1	<input type="checkbox"/>
multimeter	<input type="checkbox"/> 341 Fluke 112	<input type="checkbox"/>	<input type="checkbox"/>	<input type="checkbox"/>	<input type="checkbox"/>	<input type="checkbox"/>
signaling	<input type="checkbox"/> 392 MT8820A	<input type="checkbox"/> 436 CMU	<input checked="" type="checkbox"/> 546 CMU			
DCpower	<input type="checkbox"/> 086 LNG50-10	<input type="checkbox"/> 087 EA3013	<input type="checkbox"/> 354 NGPE 40	<input type="checkbox"/> 349 car battery	<input type="checkbox"/> 350 Car battery	<input type="checkbox"/>
line voltage	<input type="checkbox"/> 230 V 50 Hz via public mains		<input type="checkbox"/> 060 110 V 60 Hz via PAS 5000			

5.5.2. Test condition and measurement test set-up

link to test system (if used):	<input checked="" type="checkbox"/> air link	<input type="checkbox"/> cable connection	<input type="checkbox"/>
EUT-grounding	<input checked="" type="checkbox"/> none	<input type="checkbox"/> with power supply	<input type="checkbox"/> additional connection
Equipment set up	<input checked="" type="checkbox"/> table top 1.5m height		<input type="checkbox"/> floor standing
Climatic conditions	Temperature: (22±3°C)		Rel. humidity: (40±20)%

5.5.3. Requirement

Part 22.917(a) & Part 24.238(a)

(a) Out of band emissions. The power of any emission outside of the authorized operating frequency ranges must be attenuated below the transmitting power (P) by a factor of at least 43 + 10 log(P) dB

Part 27.53(g):

(g) For operations in the 1710–1755 MHz and 2110–2155 MHz bands, the power of any emission outside a licensee’s frequency block shall be attenuated below the transmitter power (P) by at least 43 + 10 log10(P) dB.

5.5.4. Measurement conditions

- radiated set-u, see chapter 4.2
- UE is set TX mode, highest transmit power conditions
- UE set to low, middle, and high nominal operating frequency within the operating range

5.5.5. Measurement procedure

By rotating the EUT in three orthogonal planes, the emissions were recorded with Peak-Detector and Hold-Max function of the spectrum-analyzer. If the harmonic could not be detected above the noise floor, the ambient level was recorded. Measurement antenna was set to horizontal plane (h) and vertical plane (v) for measuring the emissions. Measurement distance is 3m up to 18GHz, 1m from 18 to 25 GHz. Critical measurements near the limit are re-measured with a substitution method accord. TIA/EIA 603.

Settings on spectrum analyzer outside the frequency block:

Frequency range	RBW	VBW	Sweep Time	Sweep Mode	Detector
30 .. 18 GHz	1MHz	3 MHz	High enough to maintain necessary accuracy	Repetitive scan, Max-Hold mode	Max-Peak

Settings on spectrum analyzer for Band-Edge compliance measurements:

Band	Frequency range	RBW	VBW	Sweep Time	Sweep Mode	Detector
5	823-824 MHz 849-850 MHz	30kHz	300 kHz	High enough to maintain necessary accuracy	Repetitive scan, Max-Hold mode	Max-Peak and/or Average
4	1709-1710 MHz 1755-1756 MHz					
2	1849-1850 MHz 1910-1911 MHz					

Due to not available exact 1% RBW of the measurement equipment, the lower available RBW was used for these measurements.

An additional correction factor of 10 Log (RBW1/ RBW2) to the 43 +10 Log (P) limit was added, resulting in a lower limit. RBW1 is the narrower measurement resolution bandwidth (used RBW) and RBW2 is either the 1% emissions bandwidth or 1 MHz.

5.5.6. Results Band II – Voice Mode

Set-up 2, Op. Mode 1							
Channel no.	Diagram No.	Frequency [MHz]	Maximum value	Limit	Margin to limit	Result	Remarks
Channel 9262	8.01	1853.59	-49.9	-13 dBm	>20	Pass	Peak above limit is due to wanted TX-carrier
	8.01a	1849.99	-16.81		3.81	Pass	Band-Edge compliance
Channel 9400	8.02	3762.39	-48.9		>20	Pass	Peak above limit is due to wanted TX-carrier
Channel 9538	8.03	3813.61	-49.6		>20	Pass	Peak above limit is due to wanted TX-carrier
	8.03a	1910.0	-16.59		3.59	Pass	Band-Edge compliance

Remarks: positive margin means passed result

5.5.7. Results Band II – HSUPA Mode

Set-up 2, Op. Mode 1/5							
Channel no.	Diagram No.	Frequency [MHz]	Maximum value	Limit	Margin to limit	Result	Remarks
Channel 9262	8.04	--	<-22.5	-13 dBm	>9.5	Pass	Peak above limit is due to wanted TX-carrier
	8.04a	1849.97	-18.47		5.47	Pass	Band-Edge compliace
Channel 9400	8.05	--	<-22.5		>9.5	Pass	Peak above limit is due to wanted TX-carrier
Channel 9538	8.06	--	<-24.0		>11	Pass	Peak above limit is due to wanted TX-carrier
	8.06a	1910.0	-25.83		12.83	Pass	Band-Edge compliance

Remarks: positive margin means passed result

5.5.7.1. Results Band V – Voice Mode

Set-up 2, Op. Mode 3							
Channel no.	Diagram No.	Frequency [MHz]	Maximum value	Limit	Margin to limit	Result	Remarks
Channel 4132	8.07	--	< -23.9	-13.0 dBm	10.9	Pass	Peak above limit is due to wanted TX-carrier
	8.07aa	823.99	-24.12		11.12	Pass	Band-Edge
Channel 4183	8.08	2515.76	-24.0		11.0	Pass	Peak above limit is due to wanted TX-carrier
Channel 4233	8.09	1678.94	-28.8		15.8	Pass	Peak above limit is due to wanted TX-carrier
	8.09aa	849.00	-22.40		9.4	Pass	Band-Edge

Remarks: positive margin means passed result

5.5.8. Results Band V – HSUPA Mode

Set-up 2, Op. Mode 3/5							
Channel no.	Diagram No.	Frequency [MHz]	Maximum value	Limit	Margin to limit	Result	Remarks
Channel 4132	8.10	--	< -22.5	-13 dBm	9.5	Pass	Peak above limit is due to wanted TX-carrier
	8.10aa	823.85	-30.27		17.27	Pass	Band-Edge compliance
Channel 4183	8.11	--	<-22.0		>9.0	Pass	Peak above limit is due to wanted TX-carrier
Channel 4233	8.12	--	<-22.5		>9.0	Pass	Peak above limit is due to wanted TX-carrier
	8.12aa	849.00	27.98		14.98	Pass	Band-Edge compliance

Remarks: positive margin means passed result

5.5.9. Results Band IV – Voice Mode

Set-up 4, Op. Mode 2							
Channel no.	Diagram No.	Frequency [MHz]	Maximum value	Limit	Margin to limit	Result	Remarks
Channel 1312	8.01	3426.75	-43.1	-13 dBm	30.1	Pass	Peak above limit is due to wanted TX-carrier
	8.01aa	1709.9	-18.17		5.17	Pass	Band-Edge compliance
Channel 1450	8.02	3463.66	-46.4		33.4	Pass	Peak above limit is due to wanted TX-carrier
Channel 513	8.03	--	-22.0		>9.0	Pass	Peak above limit is due to wanted TX-carrier
	8.03a	1770	-39.19		>20	Pass	Band-Edge compliance

Remarks: positive margin means passed result

5.5.10. Results Band IV – HSUPA Mode

Set-up 4, Op. Mode 2/5							
Channel no.	Diagram No.	Frequency [MHz]	Maximum value	Limit	Margin to limit	Result	Remarks
Channel 1312	8.04	3427.05	-45.86	-13 dBm	>20	Passed	Peak above limit is due to wanted TX-carrier
	8.04aa	1709.81	-20.19		7.19	Passed	Band-Edge
Channel 1450	8.05	3454.92	-47.99		>20	Passed	Peak above limit is due to wanted TX-carrier
Channel 513	8.06	3507.01	-47.35		>20	Passed	Peak above limit is due to wanted TX-carrier
	8.06aa	1770.0	-39.97		>20	Passed	Band-Edge

Remarks: positive margin means passed result

5.6. Frequency stability on temperature and voltage variations

5.6.1. Test location and equipment (for reference numbers please see chapter 'List of test equipment')

test site	<input type="checkbox"/> 441 EMI SAR	<input type="checkbox"/> 348 EMI cond.	<input type="checkbox"/> 443 EMI FAR	<input checked="" type="checkbox"/> 347 Radio.lab.	<input type="checkbox"/> 337 OATS	<input type="checkbox"/>
equipment	<input type="checkbox"/> 331 HC 4055	<input type="checkbox"/>	<input type="checkbox"/>	<input checked="" type="checkbox"/> 331 Climatic chamber	<input type="checkbox"/>	<input type="checkbox"/>
spectr. analys.	<input type="checkbox"/> 584 FSU	<input type="checkbox"/> 120 FSEM	<input type="checkbox"/> 264 FSEK	<input checked="" type="checkbox"/> 489 ESU	<input type="checkbox"/>	<input type="checkbox"/>
power	<input type="checkbox"/> 463 Power source	<input checked="" type="checkbox"/> 530 10 dB attenuator	<input type="checkbox"/> 529 6dB power divider	<input type="checkbox"/>	<input type="checkbox"/>	<input type="checkbox"/>
signaling	<input type="checkbox"/> 392 MT8820A	<input type="checkbox"/> 436 CMU	<input checked="" type="checkbox"/> 547 CMU	<input type="checkbox"/>	<input type="checkbox"/>	<input type="checkbox"/>
DCpower	<input type="checkbox"/> 086 LNG50-10	<input type="checkbox"/> 087 EA3013	<input checked="" type="checkbox"/> 354 NGPE 40	<input type="checkbox"/> 349 car battery	<input type="checkbox"/> 350 Car battery	<input type="checkbox"/>
line voltage	<input type="checkbox"/> 230 V 50 Hz via public mains		<input type="checkbox"/> 060 110 V 60 Hz via PAS 5000			

5.6.2. Test condition and measurement test set-up

link to test system (if used):	<input type="checkbox"/> air link	<input checked="" type="checkbox"/> cable connection	<input type="checkbox"/>
Climatic conditions	Temperature: (22±3°C)		Rel. humidity: (40±20)%

5.6.3. Requirement

§22.355:

...the carrier frequency of each transmitter in the Public Mobile Services must be maintained within the tolerances given in Table C-1 of this section. Table C-1--Frequency Tolerance for Transmitters in the Public Mobile in the range 821 to 896MHz: 2.5ppm

§24.235:

The frequency stability shall be sufficient to ensure that the fundamental emission stays within the authorized frequency block.

§27.54:

The frequency stability shall be sufficient to ensure that the fundamental emissions stay within the authorized bands of operation.

5.6.4. Limit

As the limit is not specified in detail for FDD Band II, it was fixed to an limit according 3GPP34.121 ($0.1 \times f \times 10^{-06}$) Hz (0.1ppm), where f the frequency [Hz] of the transmitting equipment

5.6.5. Measurement conditions

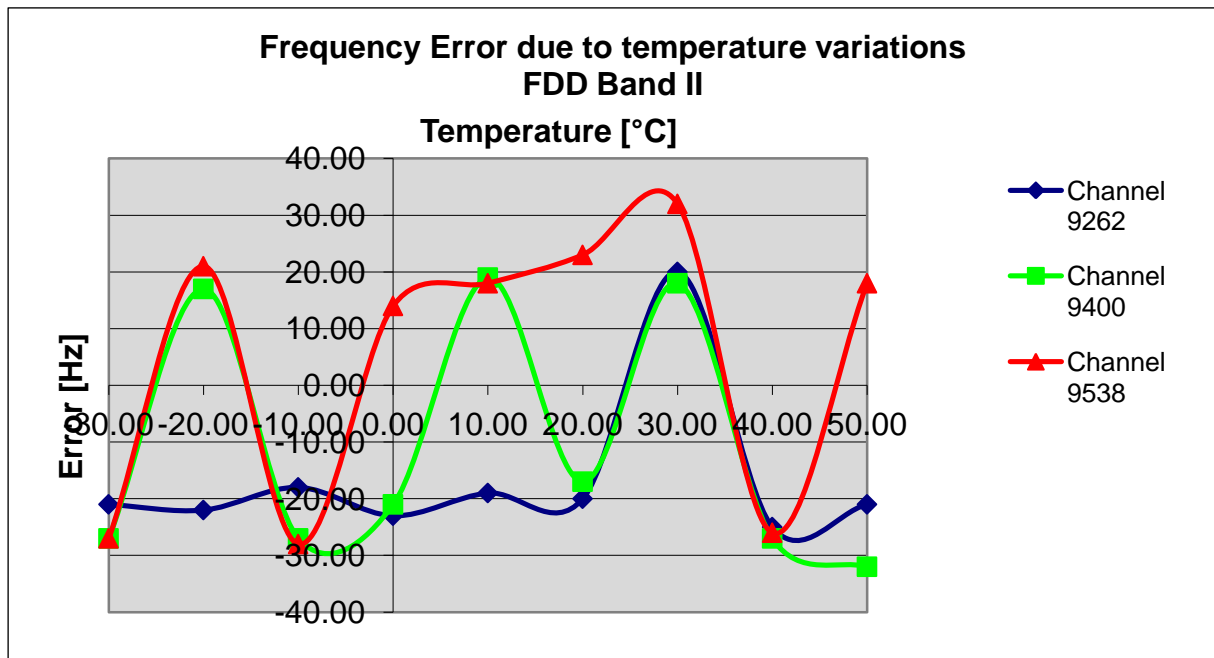
- conducted set-up used, see chapter 4.1
- UE set to low, middle, and high operating frequency within the operating range
- UE Power should be set to maximum, continuous transmission
- in order to maintain the voltage constant over the time period of the tests, a dummy battery was connected to a laboratory power supply. The level of the supplied voltage was controlled on the input of the power supply terminals of the EUT.
- the frequency error was recorded by the integrated possibility of the base station simulator.
- Tests have been done in Rel99, 12.2 kbps RMC operating mode

5.6.6. Measurement procedures: Extreme temperature

- 1.) determine the carrier frequency for the lowest, middle and highest channel at room temperature and nominal voltage [20°C]
- 2.) expose the mobile station to -30°C, wait sufficient time to have constant temperature.
- 3.) perform the carrier frequencies measurements in 10°C increments from -30°C to +50°C. For about half hour at the specified temperature the mobile was powered-off. After powering-on, the measurements were made within 2 minute for the channel lower channel, in order to prevent self-warming of the mobile.

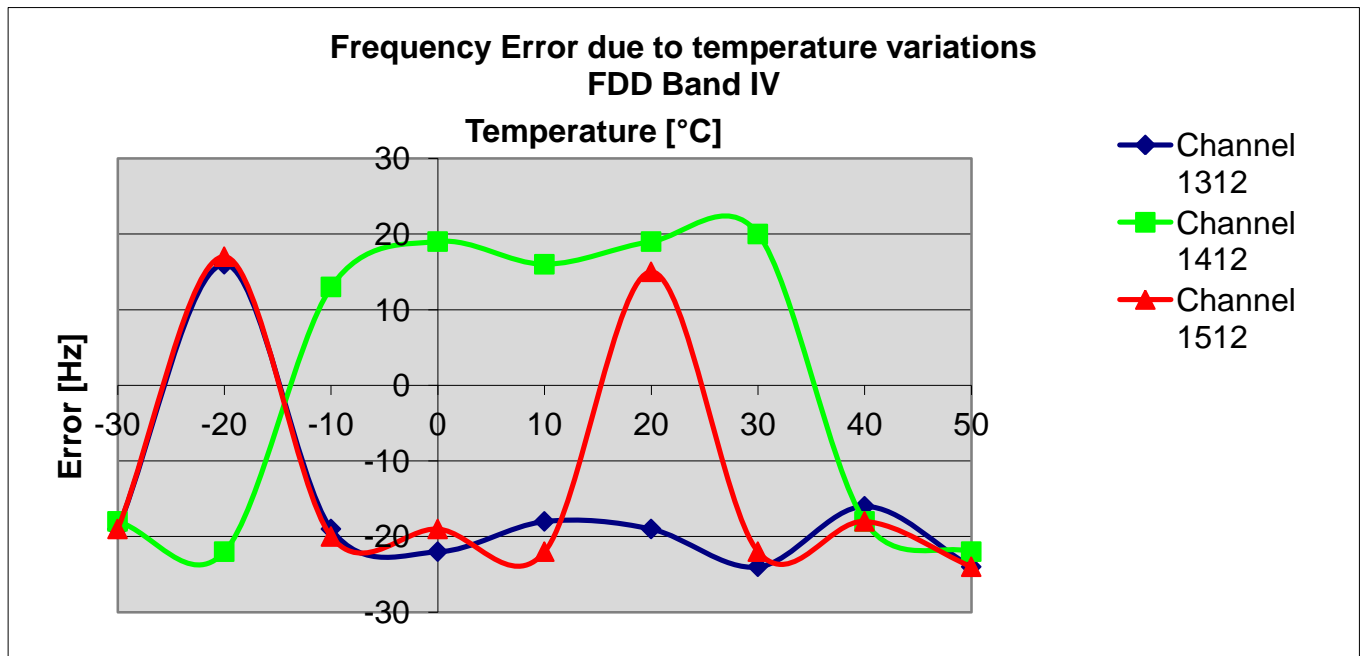
5.6.6.1. Results: Temperature variations for FDD II

Temperature	Maximum frequency error						Verdict
	Channel 9262	Channel 9400	Channel 9538	Channel 9262	Channel 9400	Channel 9538	
	[Hz]			[ppm]			Limit=±0.1ppm
-30	-21	-27	-27	-0,011	-0,014	-0,014	Passed
-20	-22	17	21	-0,012	0,009	0,011	
-10	-18	-27	-28	-0,010	-0,014	-0,015	
0	-23	-21	14	-0,012	-0,011	0,007	
10	-19	19	18	-0,010	0,010	0,009	
20	-20	-17	23	-0,011	-0,009	0,012	
30	20	18	32	0,011	0,010	0,017	
40	-25	-27	-26	-0,013	-0,014	-0,014	
50	-21	-32	18	-0,011	-0,017	0,009	



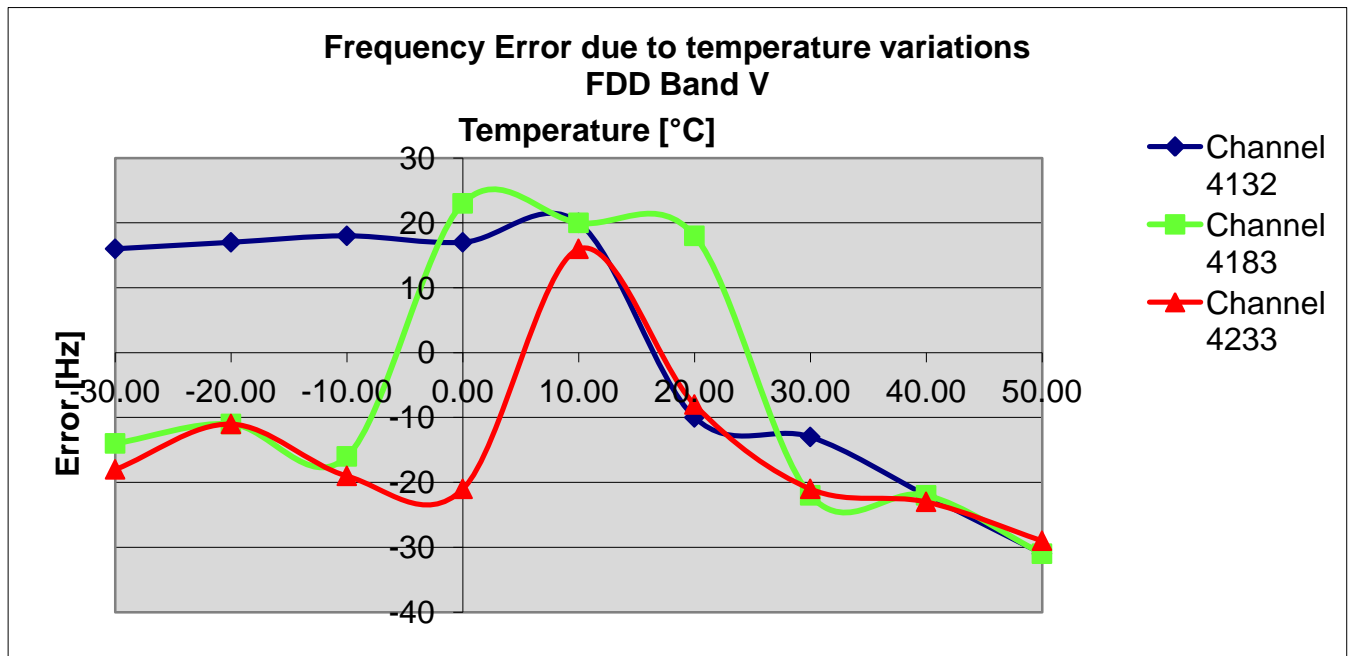
5.6.6.2. Results: Voltage variations for FDD IV

Temperature	Maximum frequency error						Verdict Limit=±0.1ppm
	Channel 1312	Channel 1412	Channel 1512	Channel 1312	Channel 1412	Channel 1512	
	[Hz]			[ppm]			
-30	-19	-18	-19	-0,011	-0,010	-0,011	Passed
-20	16	-22	17	0,009	-0,013	0,010	
-10	-19	13	-20	-0,011	0,008	-0,011	
0	-22	19	-19	-0,013	0,011	-0,011	
10	-18	16	-22	-0,011	0,009	-0,013	
20	-19	19	15	-0,011	0,011	0,009	
30	-24	20	-22	-0,014	0,012	-0,013	
40	-16	-18	-18	-0,009	-0,010	-0,010	
50	-24	-22	-24	-0,014	-0,013	-0,014	



5.6.6.3. Results: Temperature variations for FDD V

Temperature	Maximum frequency error						Verdict Limit=±0.1ppm
	Channel 4132	Channel 4183	Channel 4233	Channel 4132	Channel 4183	Channel 4233	
	[Hz]			[ppm]			
-30	16	-14	-18	0,019	-0,017	-0,021	Passed
-20	17	-11	-11	0,021	-0,013	-0,013	
-10	18	-16	-19	0,022	-0,019	-0,022	
0	17	23	-21	0,021	0,027	-0,025	
10	20	20	16	0,024	0,024	0,019	
20	-10	18	-8	-0,012	0,022	-0,009	
30	-13	-22	-21	-0,016	-0,026	-0,025	
40	-22	-22	-23	-0,027	-0,026	-0,027	
50	-31	-31	-29	-0,038	-0,037	-0,034	



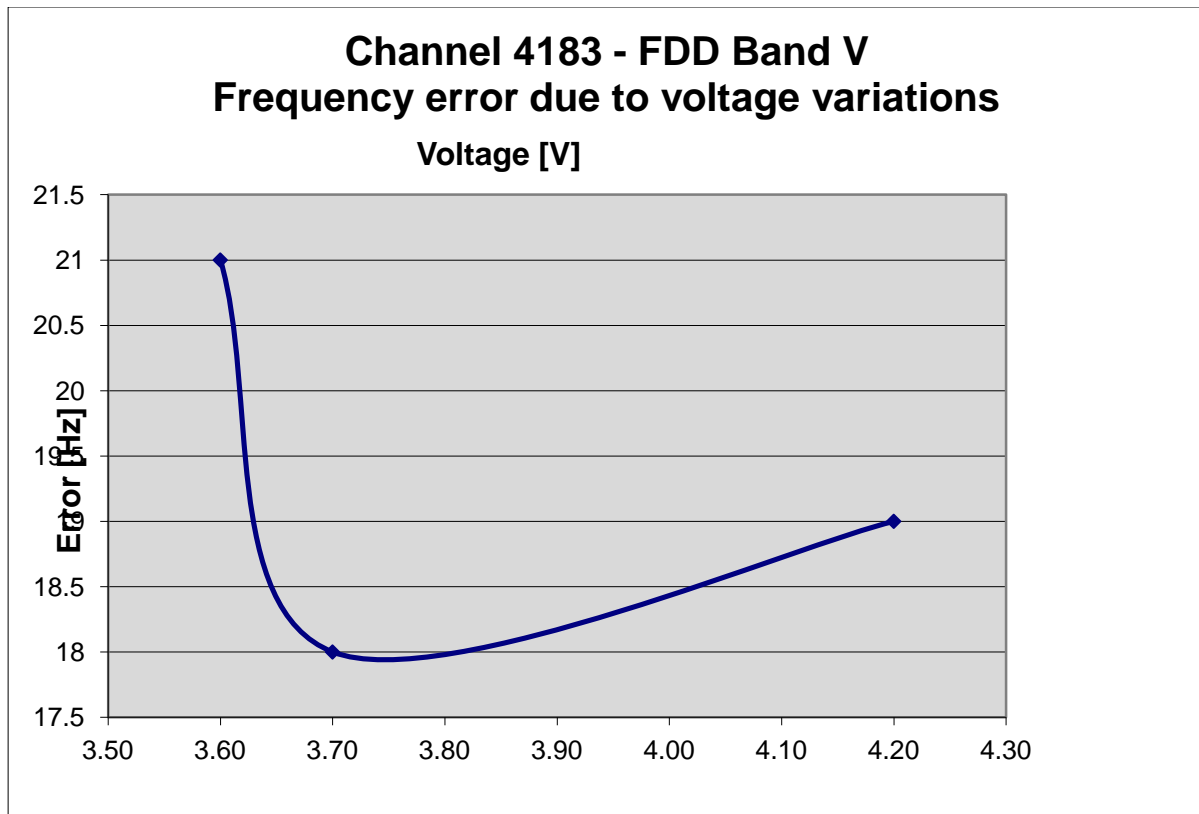
5.6.7. Measurement procedures: Extreme voltage Range at constant room reference temperature

- 1.) determine the carrier frequency for the lowest, middle and highest channel at room temperature and nominal voltage [20°C]
- 2.) the voltage was reduced in 0.1V steps to the lower end point, where the mobile phone stops working. (this shall be specified by the manufacturer) Record the carrier frequency shift within 2 minutes after powering on the mobile phone, to prevent for self heating effects.
- 3.) the voltage was increased in 0.1V steps to the upper declared voltage of the battery. Record the carrier frequency shift within 2 minutes after powering on the mobile phone, to prevent for self heating effects.

5.6.7.1. Results: Voltage variations for FDD V

Voltage [V]	Nominal Frequency [MHz]	Maximum frequency error		Verdict
		[Hz]	[ppm]	
3,60	836.4	21	0,025	Passed
3,70		18	0,022	
4,20		19	0,023	

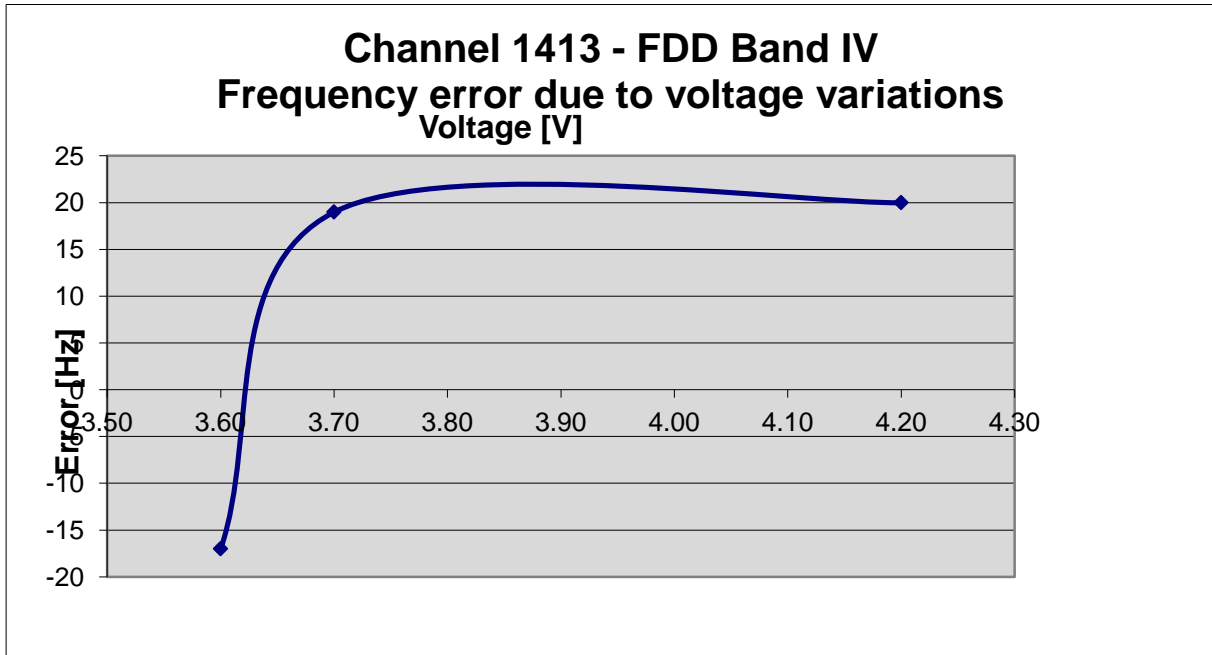
Remark: only Minimum, nominal and maximum voltages were tested



5.6.7.2. Results: Voltage variations for FDD IV

Voltage [V]	Nominal Frequency [MHz]	Maximum frequency error		Verdict
		[Hz]	[ppm]	
3,60	1732.6	-17	-0,010	Passed
3,70		19	0,011	
4,20		20	0,012	

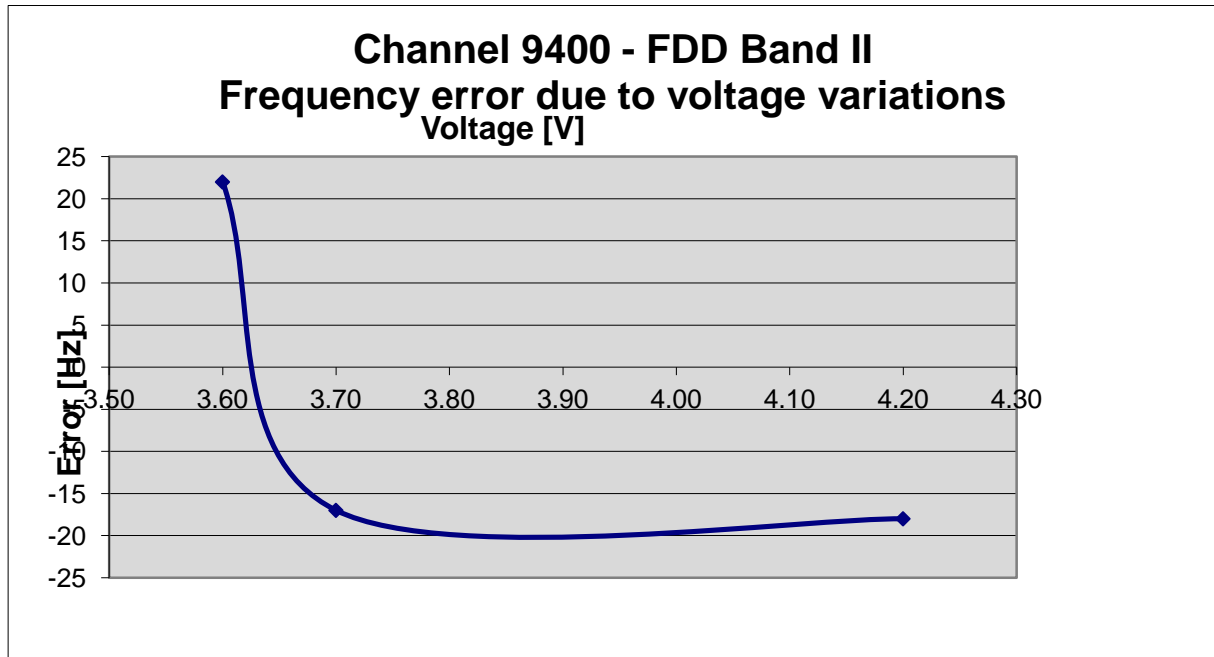
Remark: only Minimum, nominal and maximum voltages were tested



5.6.7.3. Results: Voltage variations for FDD II

Voltage [V]	Nominal Frequency [MHz]	Maximum frequency error		Verdict Limit=±0.1ppm
		[Hz]	[ppm]	
3,60	1880.0	22	0,012	Passed
3,70		-17	-0,009	
4,20		-18	-0,010	

Remark: only Minimum, nominal and maximum voltages were tested



5.7. Radiated field strength emissions below 30 MHz

TEST LOCATION AND EQUIPMENT (for reference numbers please see chapter 'List of test equipment')

test location	<input checked="" type="checkbox"/> CETECOM Essen (Chapter. 2.2.1)	<input type="checkbox"/> Please see Chapter. 2.2.2	<input type="checkbox"/> Please see Chapter. 2.2.3
test site	<input checked="" type="checkbox"/> 441 EMI SAR	<input type="checkbox"/> 487 SAR NSA	<input type="checkbox"/> 347 Radio.lab.
receiver	<input type="checkbox"/> 377 ESCS30	<input checked="" type="checkbox"/> 001 ESS	<input type="checkbox"/>
spectr. analys.	<input type="checkbox"/> 584 FSU	<input type="checkbox"/> 120 FSEM	<input type="checkbox"/> 264 FSEK
antenna	<input type="checkbox"/> 574 BTA-L	<input type="checkbox"/> 133 EMCO3115	<input type="checkbox"/> 302 BBHA9170
signaling	<input checked="" type="checkbox"/> 392 MT8820A	<input checked="" type="checkbox"/> 436 CMU	<input type="checkbox"/> 547 CMU
otherwise	<input type="checkbox"/> 400 FTC40x15E	<input type="checkbox"/> 401 FTC40x15E	<input type="checkbox"/> 110 USB LWL
DC power	<input type="checkbox"/> 456 EA 3013A	<input type="checkbox"/> 457 EA 3013A	<input type="checkbox"/> 459 EA 2032-50
line voltage	<input type="checkbox"/> 230 V 50 Hz via public mains	<input type="checkbox"/> 060 110 V 60 Hz	<input type="checkbox"/> 268 EA- 3050

STANDARDS AND LIMITS: CFR 47, §15.205, §15.209, RSS-Gen, ANSI C63.10:2009,

Frequency [MHz]	Field strength		Measurement distance [meters]	Remarks
	[µV/m]	[dBuV/m]		
0.009 – 0.490	2400/f (kHz)	67.6 – 20Log(f) (kHz)	300	Correction factor used due to measurement distance of 3m
0.490 – 1.705	24000/f (kHz)	87.6 – 20 Log(f) (kHz)	30	Correction factor used due to measurement distance of 3m
1.705 – 30	30	29.54	30	Correction factor used due to measurement distance of 3m

Remark: * decreases with the logarithm of the frequency

TEST CONDITION AND MEASUREMENT TEST SET-UP

link to test system (if used):	<input checked="" type="checkbox"/> air link	<input type="checkbox"/> cable connection	<input type="checkbox"/>
EUT-grounding	<input type="checkbox"/> none	<input type="checkbox"/> with power supply	<input type="checkbox"/> additional connection
Equipment set up	<input checked="" type="checkbox"/> table top		<input type="checkbox"/> floor standing
Climatic conditions	Temperature: (22±3°C)		Rel. humidity: (40±20)%
EMI-Receiver (Analyzer) Settings	Span/Range: 9kHz to 150kHz; 150 kHz to 30 MHz RBW/VBW: 200Hz/auto; 10 kHz/ auto (ANSI63.10/CISPR#16) Detector/ Mode: PEAK, TRACE max-hold mode, repetitive scan for exploratory measurements Quasi-Peak, for final measurement on critical frequencies (f<1GHz)		

GENERAL MEASUREMENT PROCEDURES:

The measurement test set-up and test procedure are in accordance with the provisions described in ANSI 63.10: 2009

The **Equipment under Test (EUT)** was set-up to defined operating mode and installed (connected) to accessory equipment according the general description of use given by the applicant.

The measurement loop antenna was situated in 3m distance to the EUT. Between EUT and measurement antenna absorbers are covering the GND-Plane. With these absorbers the chamber fulfills CIPR16-1-4 site VSWR-criteria. Radiated magnetic emission measurements were made with the antenna situated in 1 meter height. The loop antenna was moved at least to 2-perpendicular axes (antenna vector in direction of EUT and parallel to EUT) in order to maximize the emissions, the EUT itself either over 3-orthogonal axes (no defined usage position) or 2-orthogonal axis (defined usage position) by the position manipulator.

According the standard the compliance should be checked in 30m and 300m measurement distance. Therefore a additional extrapolation factor was used in order to normalize the measurement data. The frequency dependent extrapolation factor used for this reduced measurement distance, can be found in the chapter annexes.

MEASUREMENT RESULTS

FDD Band V - Voice Mode

Set-up No.		1								
Operating Mode		3								
Diagram no.	Frequency (MHz)	MaxPeak (dBμV/m)	Meas. Time (ms)	Bandwidth (kHz)	Antenna height (cm)	Polarity	Turntable position (deg)	Corr. (dB) (C _F)	Margin (dB) (M)	Limit (dBμV/m) (L _T)
Channel Low b_3.01	0.009 to 0.15	-57.0	10	0.2	100	--	0°..360°	300m->3m	>20	See diagram
	0.15 to 0.5	-63.0		10				300m->3m	>20	
	0.5 to 30	17.5		10				300m->3m 30m->3m	12.04	29.54
Channel Middle b_3.02	0.009 to 0.15	-55.0	10	0.2	100	--	0°..360°	300m->3m	>20	See diagram
	0.15 to 0.5	-63.0		10				300m->3m	>20	
	0.5 to 30	17.84		10				300m->3m 30m->3m	11.7	29.54
Channel High b_3.03	0.009 to 0.15	-56.72	10	0.2	100	--	0°..360°	300m->3m	>20	See diagram
	0.15 to 0.5	-63.0		10				300m->3m	>20	
	0.5 to 30	17.49		10				300m->3m 30m->3m	12.05	29.54

Remark: see also diagrams in annex A1

FDD Band V - HSUPA Mode

Set-up No.		1								
Operating Mode		3/5								
Diagram no.	Frequency (MHz)	MaxPeak (dBμV/m)	Meas. Time (ms)	Bandwidth (kHz)	Antenna height (cm)	Polarity	Turntable position (deg)	Corr. (dB) (C _F)	Margin (dB) (M)	Limit (dBμV/m) (L _T)
Channel Low b_3.14	0.009 to 0.15	-56.85	10	0.2	100	--	0°..360°	300m->3m	>20	See diagram
	0.15 to 0.5	-63.0		10				300m->3m	>20	
	0.5 to 30	17.3		10				300m->3m 30m->3m	12.24	29.54
Channel Middle b_3.15	0.009 to 0.15	-57.83	10	0.2	100	--	0°..360°	300m->3m	>20	See diagram
	0.15 to 0.5	-63.0		10				300m->3m	>20	
	0.5 to 30	18.74		10				300m->3m 30m->3m	10.8	29.54
Channel High b_3.16	0.009 to 0.15	-56.0	10	0.2	100	--	0°..360°	300m->3m	>20	See diagram
	0.15 to 0.5	-63.0		10				300m->3m	>20	
	0.5 to 30	17.49		10				300m->3m 30m->3m	12.05	29.54

Remark: see also diagrams in annex A1

FDD Band II - Voice Mode

Set-up No.		1								
Operating Mode		1								
Diagram no.	Frequency (MHz)	MaxPeak (dBµV/m)	Meas. Time (ms)	Bandwidth (kHz)	Antenna height (cm)	Polarity	Turntable position (deg)	Corr. (dB) (C _F)	Margin (dB) (M)	Limit (dBµV/m) (L _T)
Channel Low b_3.04	0.009 to 0.15	-57.08	10	0.2	100	--	0°..360°	300m->3m	>20	See diagram
	0.15 to 0.5	-63.0		10				300m->3m	>20	
	0.5 to 30	17.85		10				300m->3m 30m->3m	11.69	29.54
Channel Middle b_3.05	0.009 to 0.15	-57.0	10	0.2	100	--	0°..360°	300m->3m	>20	See diagram
	0.15 to 0.5	-63.0		10				300m->3m	>20	
	0.5 to 30	17.30		10				300m->3m 30m->3m	12.24	29.54
Channel High b_3.06	0.009 to 0.15	-58.15	10	0.2	100	--	0°..360°	300m->3m	>20	See diagram
	0.15 to 0.5	-63.0		10				300m->3m	>20	
	0.5 to 30	17.63		10				300m->3m 30m->3m	11.91	29.54

Remark: see also diagrams in annex A1

FDD Band II - HSUPA Mode

Set-up No.		1								
Operating Mode		1/5								
Diagram no.	Frequency (MHz)	MaxPeak (dBµV/m)	Meas. Time (ms)	Bandwidth (kHz)	Antenna height (cm)	Polarity	Turntable position (deg)	Corr. (dB) (C _F)	Margin (dB) (M)	Limit (dBµV/m) (L _T)
Channel Low b_3.11	0.009 to 0.15	-57.83	10	0.2	100	--	0°..360°	300m->3m	>20	See diagram
	0.15 to 0.5	-63.0		10				300m->3m	>20	
	0.5 to 30	18.74		10				300m->3m 30m->3m	10.8	29.54
Channel Middle b_3.12	0.009 to 0.15	-56.19	10	0.2	100	--	0°..360°	300m->3m	>20	See diagram
	0.15 to 0.5	-63.0		10				300m->3m	>20	
	0.5 to 30	17.65		10				300m->3m 30m->3m	11.89	29.54
Channel High b_3.13	0.009 to 0.15	-58.0	10	0.2	100	--	0°..360°	300m->3m	>20	See diagram
	0.15 to 0.5	-63.0		10				300m->3m	>20	
	0.5 to 30	17.81		10				300m->3m 30m->3m	11.73	29.54

Remark: see also diagrams in annex A1

FDD Band IV - HSUPA Mode

Set-up No.		1								
Operating Mode		2/5								
Diagram no.	Frequency (MHz)	MaxPeak (dBμV/m)	Meas. Time (ms)	Bandwidth (kHz)	Antenna height (cm)	Polarity	Turntable position (deg)	Corr. (dB) (C _F)	Margin (dB) (M)	Limit (dBμV/m) (L _T)
Channel Low c_3.08	0.009 to 0.15	-55.0	10	0.2	100	--	0°..360°	300m->3m	>20	See diagram
	0.15 to 0.5	-63.0		10				300m->3m	>20	
	0.5 to 30	17.5		10				300m->3m 30m->3m	12.04	29.54
Channel Middle c_3.09	0.009 to 0.15	-57.48	10	0.2	100	--	0°..360°	300m->3m	>20	See diagram
	0.15 to 0.5	-63.0		10				300m->3m	>20	
	0.5 to 30	17.34		10				300m->3m 30m->3m	12.2	29.54
Channel High c_3.10	0.009 to 0.15	-55.0	10	0.2	100	--	0°..360°	300m->3m	>20	See diagram
	0.15 to 0.5	-63.0		10				300m->3m	>20	
	0.5 to 30	17.99		10				300m->3m 30m->3m	11.55	29.54

Remark: see also diagrams in annex A1

FDD Band IV Voice Mode

Set-up No.		1								
Operating Mode		2								
Diagram no.	Frequency (MHz)	MaxPeak (dBµV/m)	Meas. Time (ms)	Bandwidth (kHz)	Antenna height (cm)	Polarity	Turntable position (deg)	Corr. (dB) (C _F)	Margin (dB) (M)	Limit (dBµV/m) (L _T)
Channel Low c_3.17	0.009 to 0.15	-55.0	10	0.2	100	--	0°..360°	300m->3m	>20	See diagram
	0.15 to 0.5	-63.0		10				300m->3m	>20	
	0.5 to 30	17.5		10				300m->3m 30m->3m	12.04	29.54
Channel Middle c_3.18	0.009 to 0.15	-55.0	10	0.2	100	--	0°..360°	300m->3m	>20	See diagram
	0.15 to 0.5	-63.0		10				300m->3m	>20	
	0.5 to 30	17.5		10				300m->3m 30m->3m	12.04	29.54
Channel High c_3.19	0.009 to 0.15	-55.0	10	0.2	100	--	0°..360°	300m->3m	>20	See diagram
	0.15 to 0.5	-63.0		10				300m->3m	>20	
	0.5 to 30	18.07		10				300m->3m 30m->3m	11.47	29.54

Remark: see also diagrams in annex A1

<p>Margin to Limit:</p> $M = L_T - R_R + C_F + D_F$ $= L_T - R_R + (AF_{ANTENNA} + Cable_{LOSS}) + D_F$ <p>Remark: positive margin means passed result</p>	<p>Abbreviations used:</p> <ul style="list-style-type: none"> • R_R : Receiver readings in dBµV/m • C_F: Transducer in dB = AF (antenna factor) + CL (cable loss) • D_F: distance correction factor (if different measurement distance used than specified in the standard) • L_T : Limit in dBµV/m
---	--

VERDICT: Summary of measurement results for radiated frequencies below 30 MHz - passed

5.8. Measurement uncertainties

The reported uncertainties are calculated based on the standard uncertainty multiplied with the appropriate coverage factor **k**, such that a confidence level of approximately 95% is achieved.

For uncertainty determination, each component used in the concrete measurement set-up was taken in account and it's contribution to the overall uncertainty according it's statistical distribution calculated.

Following table shows expectable uncertainties for each measurement type performed.

Measurement	Frequency range	Calculated uncertainty based on a confidence level of 95%	Remarks:
RF-Power Output conducted	9 kHz .. 20 GHz	1.0 dB	--
RF-Power Output radiated	30 MHz .. 4 GHz	3.17 dB	Substitution method
Conducted RF-emissions on antenna ports	9 kHz .. 20 GHz	1.0 dB	--
Radiated RF-emissions enclosure	150 kHz .. 30 MHz	5.0 dB	Magnetic field
	30 MHz .. 1 GHz	4.2 dB	E-Field
	1 GHz .. 18GHz	4.8 dB	E-Field
	1 GHz .. 20 GHz	3.17 dB	Substitution method
Occupied bandwidth	9 kHz .. 4 GHz	0.1272 ppm (Delta Marker method)	Frequency error
		1 dB	Power
Emission bandwidth	9 kHz .. 4 GHz	0.1272 ppm (Delta Marker method)	Frequency error
		1 dB	Power
Frequency stability	9 kHz .. 20 GHz	0.0636 ppm	--
Conducted emissions on AC-mains port (U _{CISPR})	9 kHz .. 150 kHz	4.0 dB	--
	150 kHz .. 30 MHz	3.6 dB	

Table : measurement uncertainties, valid for conducted/radiated measurements

6. Accreditation details of CETECOM’s laboratories and test sites

Ref.-No.	Accreditation Certificate	Valid for laboratory area or test site	Accreditation Body
-	D-PL-12047-01-01	All laboratories and test sites of CETECOM GmbH, Essen	DAkkS, Deutsche Akkreditierungsstelle GmbH
337 487 558 348 348	736496	Radiated Measurements 30 MHz to 1 GHz, 3m+10m OATS Radiated Measurements 30 MHz to 1 GHz, 3m SAR Radiated Measurements above 1 GHz, 3 m Fully Anechoic Chamber Mains Ports Conducted Interference Measurements Telecommunication Ports Conducted Interference Measurements	FCC, Federal Communications Commission Laboratory Division, USA (MRA US-EU 0003)
337 487 550 558	3462D-1 3462D-2 3462D-2 3462D-3	Radiated Measurements 30 MHz to 1 GHz, 3m + 10m OATS Radiated Measurements 30 MHz to 1 GHz, 3m SAR Radiated Measurements 1 GHz to 6 GHz, 3m SAR Radiated Measurements above 1 GHz ,3 m Fully Anechoic Chamber	IC, Industry Canada Certification and Engineering Bureau
337 487 550 348 348	R-2665 R-2666 G-301 C-2914 T-1967	Radiated Measurements 30 MHz to 1 GHz, 3m+10m OATS Radiated Measurements 30 MHz to 1GHz, 3m SAR Radiated Measurements 1GHz to 6 GHz, 3m SAR Mains Ports Conducted Interference Measurements Telecommunication Ports Conducted Interference Measurements	VCCI, Voluntary Control Council for Interference by Information Technology Equipment, Japan

7. Instruments and Ancillary

7.1. Used equipment “CTC”

The “Ref.-No” in the left column of the following tables allows the clear identification of the laboratory equipment.

7.1.1. Test software and firmware of equipment

Ref.-No.	Equipment	Type	Serial-No.	Version of Firmware or Software during the test
001	Emi Test Receiver	ESS	825132/017	Firm.= 1.21 , OTP=2.0, GRA=2.0
012	Signal Generator (EMS-cond.)	SMY 01	839069/027	Firm.= V 2.02
013	Power Meter (EMS cond.)	NRVD	839111/003	Firm.= V 1.51
017	Digital Radiocommunication Tester	CMD 60 M	844365/014	Firmware = V 3.52 .22.01.99, DECT = D2.87 13.01.99
053	Audio Analyzer	UPA3	860612/022	Firm. V 4,3
119	RT Harmonics Analyzer dig. Flickermeter	B10	G60547	Firm.= V 3.1DHG
140	Signal Generator	SMHU	831314/006	Firm.= 3.21
261	Thermal Power Sensor	NRV-Z55	825083/0008	EPROM-Datum 02.12.04, SE EE 1 B
262	Power Meter	NRV-S	825770/0010	Firm.= 2.6
263	Signal Generator	SMP 04	826190/0007	Firm.=3.21
264	Spectrum Analyzer	FSEK 30	826939/005	Bios=2.1, Analyzer= 3.20
295	Racal Digital Radio Test Set	6103	1572	UNIT Firmware= 4.04, SW-Main=4.04, SW-BBP=1.04, SW-DSP=1.02, Hardboot=1.02, Softboot=2.02
298	Univ. Radio Communication Tester	CMU 200	832221/091	R&S Test Firmware =3.53 /3.54 (current Testsoftw. f. all band used
323	Digital Radiocommunication Tester	CMD 55	825878/0034	Firm.= 3.52 .22.01.99
331	Climatic Test Chamber -40/+80 Grad	HC 4055	43146	TSI 1.53
335	System-CTC-EMS-Conducted	System EMS Conducted	-	EMC 32 V 8.40
340	Digital Radiocommunication Tester	CMD 55	849709/037	Firm.= 3.52 .22.01.99
355	Power Meter	URV 5	891310/027	Firm.= 1.31
365	10V Insertion Unit 50 Ohm	URV5-Z2	100880	Eprom Data = 31.03.08
366	Ultra Compact Simulator	UCS 500 M4	V0531100594	Firm. UCS 500=001925/3.06a02, rc=ISMIEC 4.10
371	Bluetooth Tester	CBT32	100153	CBT V5.30+ SW-Option K55
377	Emi Test Receiver	ESCS 30	100160	Firm.= 2.30, OTP= 02.01, GRA= 02.36
378	Broadband RF Field Monitor	RadiSense III	03D00013SNO-08	Firm.= V.03D13
383	Signal Generator	SME 03	842 828 /034	Firm.= 4.61
389	Digital Multimeter	Keithley 2000	0583926	Firm. = A13 (Mainboard) A02 (Display)
392	Radio Communication Tester	MT8820A	6K00000788	Firm.= 4.50 #005, IPL=4.01#001,OS=4.02#001, GSM=4.41#013, W-CDMA= 4.54#004, scenario= 4.52#002
436	Univ. Radio Communication Tester	CMU 200	103083	R&S Test Firmware Base=5.14, Mess-Software= GSM:5.14 WCDMA:5.14 (current Testsoftw. F. all band to be used ,
441	CTC-SAR-EMI Cable Loss	System EMI field (SAR) Cable	-	EMC 32 Version 8.40
442	CTC-SAR-EMS	System EMS field (SAR)	-	EMC 32 Version 8.40
443	CTC-FAR-EMI-RSE	System CTC-FAR-EMI-RSE	-	Spuri 7.2.5 or EMC 32 Ver. 8.40
444	CTC-FAR-EMS field	System-EMS-Field (FAR)	-	EMC 32 Version 8.40
460	Univ. Radio Communication Tester	CMU 200	108901	R&S Test Firmware Base=5.14, GSM=5.14 WCDMA=5.14 (current Testsoftw.,f. all band to be used,
489	Emi Test Receiver	ESU40	1000-30	Firmware=4.43 SP3, Bios=V5.1-16-3, Spec. =01.00
491	ESD Simulator dito	ESD dito	dito307022	V 2.30
524	Voltage Drop Simulator	VDS 200	0196-16	Software Nr. 000037 Version V4.20a01
526	Burst Generator	EFT 200 A	0496-06	Software Nr. 000034 Version V2.32
527	Micro Pulse Generator	MPG 200 B	0496-05	Software-Nr. 000030 Version V2.43
528	Load Dump Simulator	LD 200B	0496-06	Software-Nr. 000031 Version V2.35a01
546	Univ. Radio Communication Tester	CMU 200	106436	R&S Test Firmware Base=5.14, GSM=5.14 WCDMA=5.14 (current Testsoftw.,f. all band to be used
547	Univ. Radio Communication Tester	CMU 200	835390/014	R&S Test Firmware Base=V5.1403 (current Testsoftw., f. all band used, GSM = 5.14 WCDMA: = 5.14
584	Spectrum Analyzer	FSU 8	100248	2.82_SP3
594	Univ. Radio Communication Tester	CMW500	101757	Firmware Base=2.0.20.9, LTE=2.0.20.8. CDMA= 2.0.10
597	Univ. Radio Communication Tester	CMU 200	100347	R&S Test Firmware Base=5.01, GSM=5.02 WCDMA= not installed, Mainboard= µP1=V.850
598	Spectrum Analyzer	FSEM 30 (Reserve)	831259/013	Firmware Bios 3.40 , Analyzer 3.40 Sp 2

7.1.2. Single instruments and test systems

Ref.-No.	Equipment	Type	Serial-No.	Manufacturer	Interval of calibration	Remark	Cal due
001	Emi Test Receiver	ESS	825132/017	Rohde & Schwarz	12 M	-	31.03.2012
005	AC - LISN (50 Ohm/50µH, test site 1)	ESH2-Z5	861741/005	Rohde & Schwarz	24/12 M	-	31.03.2012
007	DC - LISN (50 Ohm/5µH)	ESH3-Z6	892563/002	Rohde & Schwarz	24/12 M	-	31.03.2012
009	Power Meter (EMS-radiated)	NRV	863056/017	Rohde & Schwarz	24 M	-	31.03.2013
016	Line Impedance Simulating Network	Op. 24-D	B6366	Spitzenberger+Spies	36 M	-	31.03.2013
020	Horn Antenna 18 GHz (Subst 1)	3115	9107-3699	EMCO	36/12 M	-	31.03.2013
021	Loop Antenna (H-Field)	6502	9206-2770	EMCO	36 M	-	31.03.2013
030	Loop Antenna (H-field)	HFH-Z2	879604/026	Rohde & Schwarz	36 M	-	31.03.2012
033	RF-current probe (100kHz-30MHz)	ESH2-Z1	879581/18	Rohde & Schwarz	24 M	-	31.03.2013
057	relay-switch-unit (EMS system)	RSU	494440/002	Rohde & Schwarz	pre-m	1a	
060	power amplifier (DC-2kHz)	PAS 5000	B6363	Spitzenberger+Spies	-	3	
066	notch filter (WCDMA; FDD1)	WRCT 1900/2200-5/40-10EEK	5	Wainwright GmbH	12 M	1c	30.06.2012
086	DC - power supply, 0 -10 A	LNG 50-10	-	Heinzinger Electronic	pre-m	2	
087	DC - power supply, 0 -5 A	EA-3013 S	-	Elektro Automatik	pre-m	2	
090	Helmholtz coil: 2x10 coils in series	-	-	RWTÜV	-	4	
091	USB-LWL-Converter	OLS-1	007/2006	Ing. Büro Scheiba	-	4	
099	passive voltage probe	ESH2-Z3	299.7810.52	Rohde & Schwarz	36 M	-	31.03.2012
100	passive voltage probe	Probe TK 9416	without	Schwarzbeck	36 M	-	31.03.2012
110	USB-LWL-Converter	OLS-1	-	Ing. Büro Scheiba	-	4	
119	RT Harmonics Analyzer dig. Flickermeter	B10	G60547	BOCONSULT	36 M	-	31.03.2013
134	horn antenna 18 GHz (Subst 2)	3115	9005-3414	EMCO	12 M	-	31.03.2012
136	adjustable dipole antenna (Dipole 1)	3121C-DB4	9105-0697	EMCO	12 M	-	31.03.2012
140	Signal Generator	SMHU	831314/006	Rohde & Schwarz	24 M	-	31.03.2012
248	attenuator	SMA 6dB 2W	-	Radiall	pre-m	2	
249	attenuator	SMA 10dB 10W	-	Radiall	pre-m	2	
252	attenuator	N 6dB 12W	-	Radiall	pre-m	2	
256	attenuator	SMA 3dB 2W	-	Radiall	pre-m	2	
257	hybrid	4031C	04491	Narda	pre-m	2	
260	hybrid coupler	4032C	11342	Narda	pre-m	2	
261	Thermal Power Sensor	NRV-Z55	825083/0008	Rohde & Schwarz	24/12 M	-	31.03.2012
262	Power Meter	NRV-S	825770/0010	Rohde & Schwarz	24 M	-	31.03.2012
263	Signal Generator	SMP 04	826190/0007	Rohde & Schwarz	36 M	-	31.03.2013
264	Spectrum Analyzer	FSEK 30	826939/005	Rohde & Schwarz	12 M	-	31.03.2014
265	peak power sensor	NRV-Z33, Model 04	840414/009	Rohde & Schwarz	24 M	-	31.03.2012
266	peak power sensor	NRV-Z31, Model 04	843383/016	Rohde & Schwarz	24 M	-	31.03.2012
267	notch filter GSM 850	WRCA 800/960-6EEK	9	Wainwright GmbH	pre-m	2	
268	AC/DC power supply	EA 3050-A	9823636	Elektro Automatik	pre-m	2	
270	termination	1418 N	BB6935	Weinschel	pre-m	2	
271	termination	1418 N	BE6384	Weinschel	pre-m	2	
272	attenuator (20 dB) 50 W	Model 47	BF6239	Weinschel	pre-m	2	
273	attenuator (10 dB) 100 W	Model 48	BF9229	Weinschel	pre-m	2	
274	attenuator (10 dB) 50 W	Model 47 (10 dB) 50 W	BG0321	Weinschel	pre-m	2	
275	DC-Block	Model 7003 (N)	C5129	Weinschel	pre-m	2	
276	DC-Block	Model 7006 (SMA)	C7061	Weinschel	pre-m	2	
279	power divider	1515 (SMA)	LH855	Weinschel	pre-m	2	
287	pre-amplifier 25MHz - 4GHz	AMF-2D-100M4G-35-10P	379418	Miteq	12 M	1c	30.06.2012
291	high pass filter GSM 850/900	WHJ 2200-4EE	14	Wainwright GmbH	12 M	1c	30.06.2012
298	Univ. Radio Communication Tester	CMU 200	832221/091	Rohde & Schwarz	pre-m	3	
300	AC LISN (50 Ohm/50µH, 1-phase)	ESH3-Z5	892 239/020	Rohde & Schwarz	24/12 M	-	31.03.2012
301	attenuator (20 dB) 50W, 18GHz	47-20-33	AW0272	Lucas Weinschel	pre-m	2	
302	horn antenna 40 GHz (Meas 1)	BBHA9170	155	Schwarzbeck	36 M	-	31.03.2014
303	horn antenna 40 GHz (Subst 1)	BBHA9170	156	Schwarzbeck	36 M	-	31.03.2014
331	Climatic Test Chamber -40/+80 Grad	HC 4055	43146	Heraeus Vötsch	24 M	-	30.11.2012
341	Digital Multimeter	Fluke 112	81650455	Fluke	24 M	-	31.03.2012
342	Digital Multimeter	Voltcraft M-4660A	IB 255466	Voltcraft	24 M	-	31.03.2013
347	laboratory site	radio lab.	-	-	-	5	
348	laboratory site	EMI conducted	-	-	-	5	
354	DC - Power Supply 40A	NGPE 40/40	448	Rohde & Schwarz	pre-m	2	
355	Power Meter	URV 5	891310/027	Rohde & Schwarz	24 M	-	31.03.2012
356	power sensor	NRV-Z1	882322/014	Rohde & Schwarz	24 M	-	31.03.2013
357	power sensor	NRV-Z1	861761/002	Rohde & Schwarz	24 M	-	31.03.2013
373	V-Network 5µH/50 Ohm	ESH3-Z6	100535	Rohde & Schwarz	24/12 M	-	31.03.2012
376	Horn Antenna 6 GHz	BBHA9120 E	BBHA 9120 E.179	Schwarzbeck	12 M	-	31.03.2012
377	Emi Test Receiver	ESCS 30	100160	Rohde & Schwarz	12 M	-	31.03.2012
389	Digital Multimeter	Keithley 2000	0583926	Keithley	24 M	-	31.03.2013
392	Radio Communication Tester	MT8820A	6K00000788	Anritsu	12 M	-	31.03.2012
431	Model 7405	Near-Field Probe Set	9305-2457	EMCO	-	4	
436	Univ. Radio Communication Tester	CMU 200	103083	Rohde & Schwarz	12 M	-	31.03.2012
441	CTC-SAR-EMI Cable Loss	System EMI field (SAR) Cable	-	CETECOM	12 M	5	31.08.2012

Ref.-No.	Equipment	Type	Serial-No.	Manufacturer	Interval of calibration	Remark	Cal due
443	CTC-FAR-EMI-RSE	System CTC-FAR-EMI-RSE	-	ETS-Lindgren/CETECOM	12 M	5	30.06.2012
448	notch filter WCDMA_FDD II	WRCT 1850.0/2170.0-5/40-10SSK	5	Wainwright Instruments GmbH	12 M	1c	30.06.2012
449	notch filter WCDMA FDD V	WRCT 824.0/894.0-5/40-8SSK	1	Wainwright	12 M	1c	30.06.2012
454	Oscilloscope	HM 205-3	9210 P 29661	Hameg	-	4	
456	DC-Power supply 0-5 A	EA 3013 S	207810	Elektro Automatik	pre-m	2	
459	DC -Power supply 0-5 A , 0-32 V	EA-PS 2032-50	910722	Elektro Automatik	pre-m	2	
460	Univ. Radio Communication Tester	CMU 200	108901	Rohde & Schwarz	12 M	-	31.03.2012
463	Universal source	HP3245A	2831A03472	Agilent	-	4	
466	Digital Multimeter	Fluke 112	89210157	Fluke USA	24 M	-	31.03.2012
467	Digital Multimeter	Fluke 112	89680306	Fluke USA	24 M	-	31.03.2012
468	Digital Multimeter	Fluke 112	90090455	Fluke USA	24 M	-	31.03.2012
477	ReRadiating GPS-System	AS-47	-	Automotive Cons. Fink	-	3	
480	power meter (Fula)	NRVS	838392/031	Rohde & Schwarz	24 M	-	31.03.2013
482	filter matrix	Filter matrix SAR 1	-	CETECOM (Brl)	-	1d	
484	pre-amplifier 2,5 - 18 GHz	AMF-5D-02501800-25-10P	1244554	Miteq	12 M	-	30.07.2012
487	System CTC NSA-Verification SAR-EMI	System EMI field (SAR) NSA	-	ETS Lindgren/CETECOM	12 M	-	30.09.2012
489	Emi Test Receiver	ESU40	1000-30	Rohde & Schwarz	12 M	-	31.03.2012
502	band reject filter	WRCG 1709/1786-1699/1796-	SN 9	Wainwright	pre-m	2	
503	band reject filter	WRCG 824/849-814/859-60/10SS	SN 5	Wainwright	pre-m	2	
512	notch filter GSM 850	WRCA 800/960-02/40-6EEK	SN 24	Wainwright	12 M	1c	30.06.2012
517	relais switch matrix	HF Relais Box Keithley System	SE 04	Keithley	pre-m	2	
523	Digital Multimeter	L4411A	MY46000154	Agilent	24 M	-	31.03.2013
529	6 dB Broadband resistive power divider	Model 1515	LH 855	Weinschel	pre-m	2	
530	10 dB Broadband resistive power divider	R 416110000	LOT 9828	-	pre-m	2	
546	Univ. Radio Communication Tester	CMU 200	106436	R&S	12 M	-	31.03.2012
547	Univ. Radio Communication Tester	CMU 200	835390/014	Rohde & Schwarz	12 M	-	31.03.2012
548	Digital-Barometer	GBP 2300	without	Greisinger GmbH	36/12 M	-	31.03.2012
549	Log.Per-Antenna	HL025	1000060	Rohde & Schwarz	36/12 M	-	31.03.2012
552	high pass filter 2,8-18GHz	WHKX 2.8/18G-10SS	4	Wainwright	12 M	1c	30.07.2012
558	System CTC FAR S-VSWR	System CTC FAR S-VSWR	-	CTC	24 M	-	31.07.2013
574	Biconilog Hybrid Antenna	BTA-L	980026L	Frankonia	36/12 M	-	30.03.2013
584	Spectrum Analyzer	FSU 8	100248	Rohde & Schwarz	12 M	-	31.03.2012
594	Univ. Radio Communication Tester	CMW500	101757	Rohde & Schwarz	24 M	-	31.03.2012
597	Univ. Radio Communication Tester	CMU 200	100347	Rohde & Schwarz	12 M	-	31.03.2012
598	Spectrum Analyzer	FSEM 30 (Reserve)	831259/013	Rohde & Schwarz	24 M	-	13.01.2013
600	power meter	NRVD (Reserve)	834501/018	Rohde & Schwarz	24 M	-	31.03.2013
601	medium-sensitivity diode sensor	NRV-Z5 (Reserve)	8435323/003	Rohde & Schwarz	24 M	-	12.01.2013
602	peak power sensor	NRV-Z32 (Reserve)	835080	Rohde & Schwarz	24 M	-	12.01.2013
608	UltraLog-Antenna	HL 562	830547/009	Rohde & Schwarz	36/12 M	-	31.03.2014
611	DC power supply	E3632A	KR 75305854	Agilent	pre-m	2	
612	DC power supply	E3632A	MY 40001321	Agilent	pre-m	2	
613	Attenuator	R416120000 20dB 10W	Lot. 9828	Radiall	pre-m	2	

7.1.3. Legend

Note / remarks		Calibrated during system calibration:
	1a	System CTC-SAR-EMS (Ref.-No. 442)
	1b	System-CTC-EMS-Conducted (Ref.-No. 335)
	1c	System CTC-FAR-EMI-RSE (Ref.-No. 443)
	1d	System CTC-SAR-EMI (Ref.-No. 441)
	1e	System CTC-OATS (EMI radiated) (Ref.-No. 337)
	1 f	System CTC-CTIA-OTA (Ref.-No. 420)
	1 g	System CTC-FAR-EMS (Ref.-No. 444)
	2	Calibration or equipment check immediately before measurement
	3	Regulatory maintained equipment for functional check or support purpose
	4	Ancillary equipment without calibration e.g. mechanical equipment or monitoring equipment
	5	Test System

Interval of calibration	12 M	12 month
-------------------------	------	----------

	24 M	24 month
	36 M	36 month
	24/12 M	Calibration every 24 months, between this every 12 months internal validation
	36/12 M	Calibration every 36 months, between this every 12 months internal validation
	Pre-m	Check before starting the measurement
	-	Without calibration

8. RMC99, HSDPA and HSUPA FDD SETTINGS

Output power considerations for WCDMA mobile equipment

The maximum output power is verified for Low, Middle and High channels according the general descriptions in section 5.2 of 3GPP TS34.121. Following table shows the references to the relative chapter.

Test	Rel99	HSDPA		HSUPA
Max. Power	5.2	5.2A	5.2AA	5.2B

8.1. 3GPP Release 99

The default test configuration and radio link is 12.2 kbps Reference Measurement Channel configured in test loop mode 1. This RMC defines one code channel in I-branch (DPDCH) and one code channel on the Q-branch. (DPCCH). Compressed mode is switched off.

The uplink contains one DPCCH and up to 6 DPDCH channels. The radio link contain simultaneous data, voice, data, video and packet data and signalling. The nominal maximum output power are defined according to the power class of the EUT. All the parameters are defined using the UL reference measurement channel (12.2kbps), as specified in clause C2.1 of 3GPP TS34.121.

C.2.1 UL reference measurement channel (12,2 kbps)

The parameters for the 12.2 kbps UL reference measurement channel are specified in table C.2.1.1, table C 2.1.2, table C 2.1.3 and table C.2.1.4. The channel coding for information is shown in figure C.2.1

Table C.2.1.1: UL reference measurement channel physical parameters (12,2 kbps)

Parameter	Level	Unit
Information bit rate	12,2	kbps
DPDCH	60	kbps
DPCCH	15	kbps
DPCCH Slot Format #i	0	-
DPCCH/DPDCH power ratio	-5,46	dB
TFCI	On	-
Repetition	23	%
NOTE: Slot Format #2 is used for closed loop tests in clause 7.6.2. Slot Format #2 and #5 are used for site selection diversity transmission tests in subclause 7.6.3.		

Table C.2.1.2: UL reference measurement channel using RLC-TM for DTCH, transport channel parameters (12.2 kbps)

Higher Layer	RAB/Signalling RB	RAB	SRB	
RLC	Logical channel type	DTCH	DCCH	
	RLC mode	TM	UM/AM	
	Payload sizes, bit	244	88/80	
	Max data rate, bps	12200	2200/2000	
	PDU header, bit	N/A	8/16	
	TrD PDU header, bit	0	N/A	
MAC	MAC header, bit	0	4	
	MAC multiplexing	N/A	Yes	
Layer 1	TrCH type	DCH	DCH	
	Transport Channel Identity	1	5	
	TB sizes, bit	244	100	
	TFS	TF0, bits	0*244	0*100
		TF1, bits	1*244	1*100
	TTI, ms	20	40	
	Coding type	Convolution Coding	Convolution Coding	
	Coding Rate	1/3	1/3	
	CRC, bit	16	12	
	Max number of bits/TTI after channel coding	804	360	
	Uplink: Max number of bits/radio frame before rate matching	402	90	

RM attribute	256	256
--------------	-----	-----

Table C.2.1.3: UL reference measurement channel, TFCS (12.2 kbps)

TFCS size	4
TFCS	(DTCH, DCCH)= (TF0, TF0), (TF1, TF0), (TF0, TF1), (TF1, TF1)

In order to measure the maximum output power the base station set and send continuously power control commands to the EUT. TPC bits were set all up (“1”).

Physical channels during connection for non-HSDPA test cases

The following clauses describe the downlink Physical Channels that are transmitted during a connection i.e., when measurements are done. For these measurements the offset between DPCH and SCH shall be zero chips at base station meaning that SCH is overlapping with the first symbols in DPCH in the beginning of DPCH slot structure.

E.3.1 Measurement of Tx Characteristics

Table E.3.1 is applicable for measurements on the Transmitter Characteristics (clause 5) with the exception of clauses 5.3 (frequency error), 5.4.1, 5.4.4 and 5.5.2.

Table E.3.1: Downlink Physical Channels transmitted during a connection

Physical Channel	Power
I _{or}	-93 dBm / 3,84MHz
CPICH	CPICH_Ec / DPCH_Ec= 7 dB
P-CCPCH	P-CCPCH_Ec / DPCH_Ec= 5 dB
SCH	SCH_Ec / DPCH_Ec = 5 dB
PICH	PICH_Ec / DPCH_Ec= 2 dB
DPCH	-103,3 dBm / 3,84MHz

E.3.2 Measurement of Rx Characteristics

Table E.3.2.1 is applicable for measurements on the *Receiver Characteristics* (clause 6) including clauses 5.3 of 3GPP, Frequency Error.

Table E.3.2.2 describes the downlink Physical Channels that are required for the test of Spurious Emissions (clause 6.8). The UE is in the CELL_FACH state during the measurement.

Table E.3.2.2: Downlink Physical Channels transmitted during the RX Spurious Emissions test

Physical Channel	Power
CPICH	-86dBm / 3,84MHz
P-CCPCH	P-CCPCH_Ec / CPICH_Ec= -2 dB
SCH	SCH_Ec / CPICH_Ec= -2 dB
PICH	PICH_Ec / CPICH_Ec= -5 dB
S-CCPCH	S-CCPCH_Ec / CPICH_Ec= -2 dB

8.2. 3GPP Release 5 (HSDPA Option)

HSDPA as evolution of WCDMA Rel. 99 are implementing new features like: fast scheduling principle, faster retransmission of data blocks, hybrid automatic-repeat-request (HARQ), adaptive modulation and coding (AMC), shorter transmit time interval and a shared channel concept. so a reduced transmission delay and a increased data rate up to 14 Mbit/s can be offered by the end user equipment.

In the downlink a new transport channel (HS-DSCH) and two physical channels (HS-PDSCH and HS-SCCH) are introduced.

In the uplink the signal quality is feedback by transmission of HARQ-ACK, and CQI.

According TS34.121, the maximum output power with HS-DPCCH activated is the UE power can transmit when HS-DPCCH is fully or partially transmitting during a DPCCH timeslot.

The total WCDMA power is the sum from all active physical channels. The power for each physical channel can be configured by BETA values, which define the respective physical channel above the DPCCH channel (Dedicated physical control channel) which is always active. For RF-testing all this BETA factors are well defined by the standard 3GPP TS 34.121.

HSDPA Rel. 5 is handled in section 5.2A of TS34.121

HSDPA Rel. 6 is handled in section 5.2AA of TS34.121

The most used radio bearer set-up for tests according TS34.121 is RMC12.2kbps + HSDPA

An HSDPA call is set-up according 3GPP TS34.108 clause 7.3.6 Baseline radio bearer combinations and set-up procedures for HSDPA-tests are described here.

The specific RF parameters are set-up accord. Table E5.1(QPSK-modulation) or Table E5.1A (16QAM-modulation) in Annex E of 3GPP34.121.

Table E.5.1: Downlink physical channels for HSDPA testing

Physical Channel	Parameter	Value	Note
P-CPICH	P-CPICH_Ec/Ior	-10dB	
P-CCPCH	P-CCPCH_Ec/Ior	-12dB	Mean power level is shared with SCH.
SCH	SCH_Ec/Ior	-12dB	Mean power level is shared with P-CCPCH – SCH includes P- and S-SCH, with power split between both. P-SCH code is S_dl,0 as per [14] S-SCH pattern is scrambling code group 0
PICH	PICH_Ec/Ior	-15dB	
DPCH	DPCH_Ec/Ior	Test-specific	12.2 kbps DL reference measurement channel as defined in Annex C.3.1
HS-SCCH-1	HS-SCCH_Ec/Ior	Test-specific	Specifies fraction of Node-B radiated power transmitted when TTI is active (i.e. due to minimum inter-TTI interval). During TTIs, in which the HS-SCCH is not allocated to the UE the HS-SCCH shall be transmitted continuously with constant power.
HS-SCCH-2	HS-SCCH_Ec/Ior	DTX'd	No signalling scheduled, or power radiated, on this HS-SCCH, but signalled to the UE as present.
HS-SCCH-3	HS-SCCH_Ec/Ior	DTX'd	As HS-SCCH-2.
HS-SCCH-4	HS-SCCH_Ec/Ior	DTX'd	As HS-SCCH-2.
HS-PDSCH	HS-PDSCH_Ec/Ior	Test-specific	.
OCNS		Necessary power so that total transmit power spectral density of Node B (Ior) adds to one1	OCNS interference consists of a number of dedicated data channels as specified in table E.5.5 and E.5.5A. Table E.5.5 specifies the OCNS setup for H-Set 1 to H-Set 6. Table E.5.5A specifies the OCNS setup for H-Set 8.
NOTE 1: For dynamic power correction required to compensate for the presence of transient channels, e.g. control channels, a subset of the OCNS DPCH channels may be used.			

Remark: Power values are relative to I_{OR}

Table E.5.10 is applicable for measurements on the Transmitter Characteristics with HSDPA in clauses 5.2A, 5.2AA, 5.2C, 5.7A, 5.9A, 5.10A, 5.13.1A, 5.13.1AA and 5.13.2A

Table E.5.10: Test specific downlink physical channels

Parameter	Unit	Test
DPCH	DPCH_Ec/Ior (dB)	-9
HS-SCCH_1	HS-SCCH_Ec/Ior (dB)	-8
HS-PDSCH	HS-PDSCH_Ec/Ior (dB)	-3
Note: The power levels are selected high enough to keep the DTX reporting ratio very small and to ensure that the radio link is maintained during the test.		

Release 6 contain 6 fixed reference channels (FRC), the so called H-Sets, which are describing the set-up of the HS-(P)DSCH for tests specified in the 3GPP TS34.121. For the tests FRC H-SET1 is used independent of the UE category. Inter TTI is set to 3.

Table: performance requirements of UE related to HS-DSCH category

HS-DSCH category	Corresponding requirement
Category 1	H-SET1
Category 2	H-SET1
Category 3	H-SET2
Category 4	H-SET2
Category 5	H-SET3
Category 6	H-SET3
Category 7	H-SET6 (Release 6)
Category 8	H-SET6 (Release 6)
Category 11	H-SET1 4
Category 12	H-SET1 5

Table C.10.1.1: UL reference measurement channel physical parameters (12.2 kbps) for HSDPA tests and E-DCH

Parameter	Level	Unit
DPCCH/DPDCH power ratio	-5.46 (Note 1)	dB
Note 1: The power ratio for transmitter characteristics testing with HS-DPCCH depends on the beta values given in table C.10.1.4. Note 2: With the exception of the DPCCH/DPDCH power ratio parameter in this table all other parameters are defined in UL reference measurement channel in clause C.2.1, table C.2.1.1.		

Table C.10.1.1 to C.10.1.4 are applicable for tests on Transmitter Characteristics with HSDPA in clauses 5.2A, 5.2C, 5.2AA, 5.7A, 5.9A, 5.10A, 5.13.1A and 5.13.1AA.

Table C.10.1.2: UL reference measurement channel, transport channel parameters (12.2 kbps) for HSDPA

Higher Layer	RAB/Signalling RB	RAB/SRB
Note: As defined in UL reference measurement channel in clause C.2.1, table C.2.1.2.		

Table C.10.1.3: UL reference measurement channel, TFCS (12.2 kbps) for HSDPA

Note: As defined in UL reference measurement channel in clause C.2.1, table C.2.1.3.

The standard defines **four HSDPA test configurations**, named subtests. The settings for each subtests can be found in TS34.121, Table C.11.1.4 It is enclosed here for reference.

Table C.10.1.4: β values for transmitter characteristics tests with HS-DPCCH

Subtest	β_c	β_d	β_d (SF)	β_c/β_d	β_{HS} (Note1, Note 2)	CM (dB) (Note 3)	MPR (dB) (Note 3)
1	2/15	15/15	64	2/15	4/15	0.0	0.0
2	12/15 (Note 4)	15/15 (Note 4)	64	12/15 (Note 4)	24/15	1.0	0.0
3	15/15	8/15	64	15/8	30/15	1.5	0.5
4	15/15	4/15	64	15/4	30/15	1.5	0.5

Note 1: $\Delta ACK, \Delta NACK$ and $\Delta CQI = 30/15$ with $\beta_{HS} = 30/15 * \beta_c$.

Note 2: For the HS-DPCCH power mask requirement test in clause 5.2C, 5.7A, and the Error Vector Magnitude (EVM) with HS-DPCCH test in clause 5.13.1A, and HSDPA EVM with phase discontinuity in clause 5.13.1AA, ΔACK and $\Delta NACK = 30/15$ with $\beta_{HS} = 30/15 * \beta_c$, and $\Delta CQI = 24/15$ with $\beta_{HS} = 24/15 * \beta_c$.

Note 3: CM = 1 for $\beta_c/\beta_d = 12/15, \beta_{HS}/\beta_c = 24/15$. For all other combinations of DPDCH, DPCCH and HS-DPCCH the MPR is based on the relative CM difference. This is applicable for only UEs that support HSDPA in release 6 and later releases.

Note 4: For subtest 2 the β_c/β_d ratio of 12/15 for the TFC during the measurement period (TF1, TF0) is achieved by setting the signalled gain factors for the reference TFC (TF1, TF1) to $\beta_c = 11/15$ and $\beta_d = 15/15$.

Table C.10.1.4: β values for transmitter characteristics tests with HS-DPCCH

Sub-test	β_c	β_d	β_d (SF)	β_c/β_d	β_{HS} (Note1, Note 2)	CM (dB) (Note 3)	MPR (dB) (Note 3)
1	2/15	15/15	64	2/15	4/15	0.0	0.0
2	12/15 (Note 4)	15/15 (Note 4)	64	12/15 (Note 4)	24/15	1.0	0.0
3	15/15	8/15	64	15/8	30/15	1.5	0.5
4	15/15	4/15	64	15/4	30/15	1.5	0.5

Note 1: $\Delta ACK, \Delta NACK$ and $\Delta CQI = 30/15$ with $\beta_{HS} = 30/15 * \beta_c$.

Note 2: For the HS-DPCCH power mask requirement test in clause 5.2C, 5.7A, and the Error Vector Magnitude (EVM) with HS-DPCCH test in clause 5.13.1A, and HSDPA EVM with phase discontinuity in clause 5.13.1AA, ΔACK and $\Delta NACK = 30/15$ with $\beta_{HS} = 30/15 * \beta_c$, and $\Delta CQI = 24/15$ with $\beta_{HS} = 24/15 * \beta_c$.

Note 3: CM = 1 for $\beta_c/\beta_d = 12/15, \beta_{HS}/\beta_c = 24/15$. For all other combinations of DPDCH, DPCCH and HS-DPCCH the MPR is based on the relative CM difference. This is applicable for only UEs that support HSDPA in release 6 and later releases.

Note 4: For subtest 2 the β_c/β_d ratio of 12/15 for the TFC during the measurement period (TF1, TF0) is achieved by setting the signalled gain factors for the reference TFC (TF1, TF1) to $\beta_c = 11/15$ and $\beta_d = 15/15$.

The general set-up procedure to measure the maximum power is according 3GPP 34.121, section 5.2A(A). It is reproduced here:

1. configure the desired subtest no., set the configurable $BETA_C, BETA_D$ and $BETA_{HS}$ to values required (Table C10.1.4)
2. build up a HSDPA data transfer
3. send continuously power up commands to UE
4. measure the mean and peak power. (mean power averaged at least over one slot)
5. repeat the tests for each combinations of configurable BETA values as given in each subtest.

8.3. 3GPP Release 6 (HSUPA Option)

HSUPA introduced in Release 6 of the 3GPP standards is an improved step for WCDMA standards. Its objective is to enhance the uplink data transmission rate, reduce overall delay in the system and to increase the cell capacity. A new transport channel E-DCH carries the data to physical layer.

The test requirements and procedures for testing all variations of WCDMA are described in 3GPP TS34.121

The general configuration consists of:

1. enable the packet switched data transmission
2. set the mode to HSUPA Test mode and activate the HSPA channels
3. configure the HSDPA channels
4. configure the general power settings

E.5A.0 Downlink Physical Channels for connection set-up

Table E.5A.0: Levels for connection setup

Parameter	Unit	Value
During Connection setup		
P-CPICH_Ec/Ior	dB	-10
P-CCPCH and SCH_Ec/Ior	dB	-12
PICH_Ec/Ior	dB	-15
HS-PDSCH	dB	off
HS-SCCH_1	dB	off
DPCH_Ec/Ior	dB	-5
E-HICH	dB	off
E-AGCH	dB	off
E-RGCH	dB	off
OCNS_Ec/Ior	dB	-3.1

E.5A.1 Downlink Physical Channels for measurement

Table E.5A.1 is applicable for tests in subclause 5.2B, 5.2D, 5.2E, 5.9B, 5.10B, 5.13.2B, and 5.13.2C. Table E.5A.2 is applicable for tests in subclause 10.2.1, 10.3.1, 10.4.1. and 10.4.1A. Table E.5A.3 is applicable for tests in subclause 10.2.2, 10.3.2 and 10.3.2A.

Table E.5A.1: Downlink Physical Channel parameters for E-DCH the Transmitter Characteristics tests

Parameter	Unit	Value	Remark
During Measurement			
P-CPICH_Ec/Ior	dB	-10	
P-CCPCH and SCH_Ec/Ior	dB	-12	
PICH_Ec/Ior	dB	-15	
HS-PDSCH	dB	-3	During TTIs, in which the HS-PDSCH is not allocated to the UE via HS-SCCH signalling, the HS-PDSCH shall be transmitted continuously with constant power
HS-SCCH_1	dB	-8	During TTIs, in which the HS-SCCH is not allocated to the UE the HS-SCCH shall be transmitted continuously with constant power.
DPCH_Ec/Ior	dB	-10	
E-AGCH	dB	-20	
E-HICH	dB	-20	
E-RGCH	dB	DTX'd	
OCNS_Ec/Ior	dB	Necessary power so that total transmit power spectral density of Node B (Ior) adds to one	OCNS interference consists of 6 dedicated data channels as specified in table E.5A.4
NOTE 1: For dynamic power correction required to compensate for the presence of transient channels, e.g. control channels, a subset of the OCNS DPCH channels may be used.			
NOTE 2: For 5.2B, 5.9B, 5.10B, the power levels are selected high enough to keep the DTX reporting ratio very small and to ensure that the radio link is maintained during the test.			

The standard defines five HSUPA test configurations, named subtests with different absolute grant (AG) DELTA_E_DPCCCH and BETA values. Each sub-test has its own reference TFCI and gain settings. The settings

for each subtests can be found in TS34.121, Table C.11.1.3. In order to perform the test correctly these parameters must be set-up before tests for each sub-test.

Table C.11.1.3: β values for transmitter characteristics tests with HS-DPCCH and E-DCH

Sub-test	β_c	β_d	β_d (SF)	β_c/β_d	β_{HS} (Note 1)	β_{ec}	β_{ed} (Note 5) (Note 6)	β_{ed} (SF)	β_{ed} (Codes)	CM (dB) (Note 2)	MPR (dB) (Note 2)	AG Index (Note 6)	E-TFCI
1	11/15 (Note 3)	15/15 (Note 3)	64	11/15 (Note 3)	22/15	209/225	1309/225	4	1	1.0	0.0	20	75
2	6/15	15/15	64	6/15	12/15	12/15	94/75	4	1	3.0	2.0	12	67
3	15/15	9/15	64	15/9	30/15	30/15	β_{ed1} : 47/15 β_{ed2} : 47/15	4 4	2	2.0	1.0	15	92
4	2/15	15/15	64	2/15	4/15	2/15	56/75	4	1	3.0	2.0	17	71
5	15/15 (Note 4)	15/15 (Note 4)	64	15/15 (Note 4)	30/15	24/15	134/15	4	1	1.0	0.0	21	81

Note 1: $\Delta ACK, \Delta NACK$ and $\Delta CQI = 30/15$ with $\beta_{hs} = 30/15 * \beta_c$.

Note 2: CM = 1 for $\beta_c/\beta_d = 12/15, \square_{hs}/\square_c = 24/15$. For all other combinations of DPDCH, DPCCH, HS- DPCCH, E-DPDCH and E-DPCCH the MPR is based on the relative CM difference.

Note 3: For subtest 1 the β_c/β_d ratio of 11/15 for the TFC during the measurement period (TF1, TF0) is achieved by setting the signalled gain factors for the reference TFC (TF1, TF1) to $\beta_c = 10/15$ and $\beta_d = 15/15$.

Note 4: For subtest 5 the β_c/β_d ratio of 15/15 for the TFC during the measurement period (TF1, TF0) is achieved by setting the signalled gain factors for the reference TFC (TF1, TF1) to $\beta_c = 14/15$ and $\beta_d = 15/15$.

Note 5: In case of testing by UE using E-DPDCH Physical Layer category 1, Sub-test 3 is omitted according to TS25.306 Table 5.1g.

Note 6: β_{ed} can not be set directly, it is set by Absolute Grant Value.

Table C.11.1.3: β values for transmitter characteristics tests with HS-DPCCH and E-DCH

Sub-test	β_0	β_d	β_d (SF)	β_0/β_d	β_{HS} (Note 1)	β_{EO}	β_{ED} (Note 5) (Note 6)	β_{ED} (SF)	β_{ED} (Codes)	CM (dB) (Note 2)	MPR (dB) (Note 2)	AG Index (Note 6)	E-TFCI
1	11/15 (Note 3)	15/15 (Note 3)	64	11/15 (Note 3)	22/15	209/25	1309/225	4	1	1.0	0.0	20	75
2	6/15	15/15	64	6/15	12/15	12/15	94/75	4	1	3.0	2.0	12	67
3	15/15	9/15	64	15/9	30/15	30/15	β_{ED1} : 47/15 β_{ED2} : 47/15	4 4	2	2.0	1.0	15	92
4	2/15	15/15	64	2/15	4/15	2/15	56/75	4	1	3.0	2.0	17	71
5	15/15 (Note 4)	15/15 (Note 4)	64	15/15 (Note 4)	30/15	24/15	134/15	4	1	1.0	0.0	21	81

Note 1: Δ_{ACK} , Δ_{NACK} and $\Delta_{CQI} = 30/15$ with $\beta_{HS} = 30/15 * \beta_c$.

Note 2: CM = 1 for $\beta_0/\beta_d=12/15$, $\beta_{HS}/\beta_c=24/15$. For all other combinations of DPDCH, DPCCH, HS- DPCCH, E-DPDCH and E-DPCCH the MPR is based on the relative CM difference.

Note 3: For subtest 1 the β_0/β_d ratio of 11/15 for the TFC during the measurement period (TF1, TF0) is achieved by setting the signalled gain factors for the reference TFC (TF1, TF1) to $\beta_c = 10/15$ and $\beta_d = 15/15$.

Note 4: For subtest 5 the β_0/β_d ratio of 15/15 for the TFC during the measurement period (TF1, TF0) is achieved by setting the signalled gain factors for the reference TFC (TF1, TF1) to $\beta_c = 14/15$ and $\beta_d = 15/15$.

Note 5: In case of testing by UE using E-DPDCH Physical Layer category 1, Sub-test 3 is omitted according to TS25.306 Table 5.1g.

Note 6: β_{ED} can not be set directly, it is set by Absolute Grant Value.

Table C.11.1.4: β values for transmitter characteristics tests with HS-DPCCH and E-DCH with 16QAM

Sub-test	β_0	β_d	β_d (SF)	β_0/β_d	β_{HS} (Note 1)	β_{EO}	β_{ED} (Note 4) (Note 5)	β_{ED} (SF)	β_{ED} (Codes)	CM (dB) (Note 2)	MPR (dB) (Note 2)	Alt. AG Index (Note 5)	E-TFCI	E-TFCI (boost)
1	11/15 (Note 3)	15/15 (Note 3)	64	11/15 (Note 3)	22/15	209/25	1309/225	[4]	[1]	[1.0]	[0.0]	18	75	75
2	6/15	15/15	64	6/15	12/15	12/15	94/75	[4]	[1]	[3.0]	[2.0]	10	67	67
3	15/15	9/15	64	15/9	30/15	30/15	β_{ED1} : 47/15 β_{ED2} : 47/15	[4] [4]	[2]	[2.0]	[1.0]	13	92	92
4	2/15	15/15	64	2/15	4/15	2/15	56/75	[4]	[1]	[3.0]	[2.0]	15	71	71

Note 1: Δ_{ACK} , Δ_{NACK} and $\Delta_{CQI} = 30/15$ with $\beta_{HS} = 30/15 * \beta_c$.

Note 2: CM = 1 for $\beta_0/\beta_d=12/15$, $\beta_{HS}/\beta_c=24/15$. For all other combinations of DPDCH, DPCCH, HS- DPCCH, E-DPDCH and E-DPCCH the MPR is based on the relative CM difference.

Note 3: For subtest 1 the β_0/β_d ratio of 11/15 for the TFC during the measurement period (TF1, TF0) is achieved by setting the signalled gain factors for the reference TFC (TF1, TF1) to $\beta_c = 10/15$ and $\beta_d = 15/15$.

Note 4: In case of testing by UE using E-DPDCH Physical Layer category 1, Sub-test 3 is omitted according to TS25.306 Table 5.1g.

Note 5: β_{ED} can not be set directly, it is set by Absolute Grant Value.

Required values for DELTA E-DPCCH:

Subtest	DELTA E DPCCH
1	6
2	8
3	8
4	5
5	7

Table C11.3.1 is also important for setting the *UL-RLC SDU SIZE* parameter. This should be for all E-DCH tests set to 2936bits.

The general set-up procedure to measure the maximum power is according 3GPP 34.121, section 5.2B. It is reproduced here:

6. configure the desired subtest no., set-up all necessary parameters
7. set the UE power lower (approx. 5dB) then maximum output power
8. build up a HSUPA call
9. monitor the E-TFCI parameter transmitted and compare it with the 3GPP requirements

Subtest	1	2	3	4	5
Expected E-TFCI	75	67	92	71	81

10. increase UE transmit power (TPC commands +1) until E-TFCI is reducing
11. reduce UE power 1 dB and check if the target E-TFCI is transmitted, if not reduce power again.
12. record the value as maximum power

References

1. SAR measurement procedures for 3G Devices CDMA2000/Ev-Do/WCDMA/HSDPA Rev. 2.0
2. 3GPP TS34.121: V.8.3.0; Terminal conformance specification, Radio Transmission and reception (FDD)
3. Application Note from Rohde&Schwarz “1CM62”
4. CMU operating manual; Software Options CMU-K61..K69