

**Plot 1**

Date/Time: 10/6/2011 12:32:53 PM, Date/Time: 10/6/2011 12:38:03 PM

Test Laboratory: Cetecom Inc. SAR 1 Lab

**DUT: RDS41CW; Type: Phone; Serial: MEID 76C81**

Communication System: CDMA RC3; Frequency: 836.52 MHz

Medium parameters used:  $f = 836.52$  MHz;  $\sigma = 1.012$  mho/m;  $\epsilon_r = 55.64$ ;  $\rho = 1000$  kg/m<sup>3</sup>

Phantom section: Flat Section

Measurement Standard: DASYS (IEEE/IEC/ANSI C63.19-2007)

DASY52 Configuration:

- Probe: ES3DV3 - SN3244; ConvF(6.05, 6.05, 6.05); Calibrated: 10/13/2010
- Sensor-Surface: 3mm (Mechanical Surface Detection)
- Electronics: DAE4 Sn1233; Calibrated: 10/13/2010
- Phantom: ELI 4.0; Type: QDOVA001BA; Serial: xxxx
- DASY52 52.6.2(482); SEMCAD X 14.4.5(3634)

**Flat-Section MSL/Front 10mm 836/Area Scan (6x9x1):** Measurement grid: dx=15mm, dy=15mm

Maximum value of SAR (measured) = 0.449 mW/g

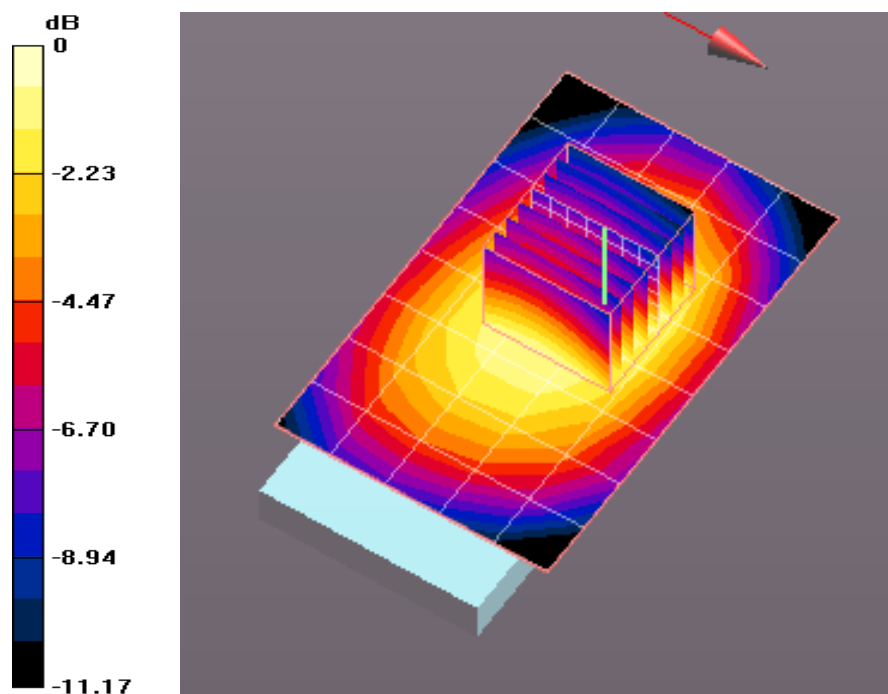
**Flat-Section MSL/Front 10mm 836/Zoom Scan (8x8x7)/Cube 0:** Measurement grid: dx=5mm, dy=5mm, dz=5mm

Reference Value = 18.995 V/m; Power Drift = 0.05 dB

Peak SAR (extrapolated) = 0.556 W/kg

**SAR(1 g) = 0.410 mW/g; SAR(10 g) = 0.296 mW/g**

Maximum value of SAR (measured) = 0.461 mW/g



0 dB = 0.460mW/g

**Plot 2**

Date/Time: 10/6/2011 11:48:37 AM, Date/Time: 10/6/2011 11:53:48 AM

Test Laboratory: Cetecom Inc. SAR 1 Lab

**DUT: RDS41CW; Type: Phone; Serial: MEID 76C81**

Communication System: CDMA RC3; Frequency: 836.52 MHz

Medium parameters used:  $f = 836.52$  MHz;  $\sigma = 1.012$  mho/m;  $\epsilon_r = 55.64$ ;  $\rho = 1000$  kg/m<sup>3</sup>

Phantom section: Flat Section

Measurement Standard: DASYS (IEEE/IEC/ANSI C63.19-2007)

DASY52 Configuration:

- Probe: ES3DV3 - SN3244; ConvF(6.05, 6.05, 6.05); Calibrated: 10/13/2010
- Sensor-Surface: 3mm (Mechanical Surface Detection)
- Electronics: DAE4 Sn1233; Calibrated: 10/13/2010
- Phantom: ELI 4.0; Type: QDOVA001BA; Serial: xxxx
- DASY52 52.6.2(482); SEMCAD X 14.4.5(3634)

**Flat-Section MSL/Back 10mm 836/Area Scan (6x9x1):** Measurement grid: dx=15mm, dy=15mm

Maximum value of SAR (measured) = 0.822 mW/g

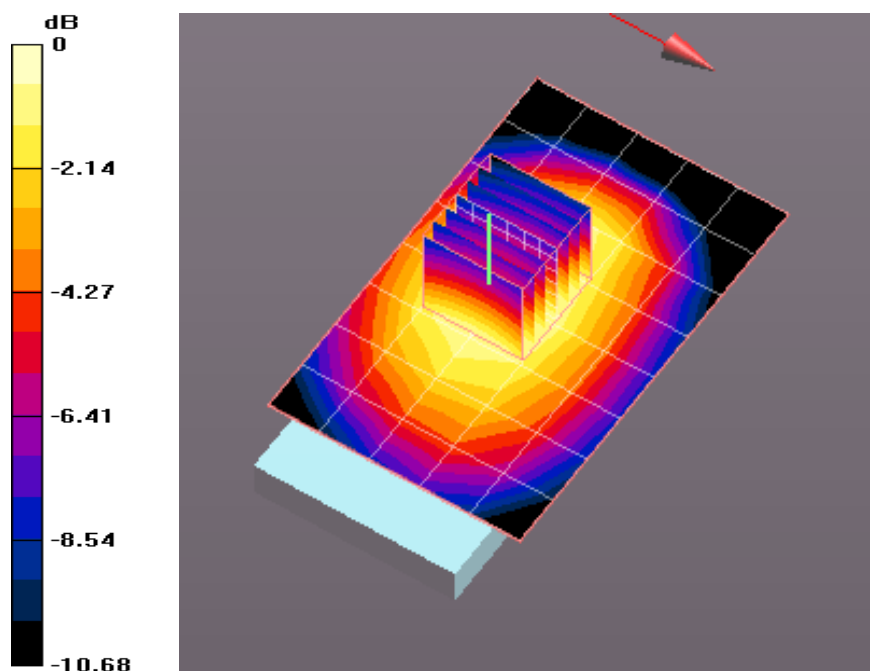
**Flat-Section MSL/Back 10mm 836/Zoom Scan (7x7x7)/Cube 0:** Measurement grid: dx=5mm, dy=5mm, dz=5mm

Reference Value = 25.608 V/m; Power Drift = -0.14 dB

Peak SAR (extrapolated) = 0.969 W/kg

**SAR(1 g) = 0.718 mW/g; SAR(10 g) = 0.510 mW/g**

Maximum value of SAR (measured) = 0.807 mW/g



0 dB = 0.810mW/g

**Plot 3**

Date/Time: 10/6/2011 2:24:03 PM, Date/Time: 10/6/2011 2:28:24 PM

Test Laboratory: Cetecom Inc. SAR 1 Lab

**DUT: RDS41CW; Type: Phone; Serial: MEID 76C81**

Communication System: CDMA RC3; Frequency: 836.52 MHz

Medium parameters used:  $f = 836.52$  MHz;  $\sigma = 1.012$  mho/m;  $\epsilon_r = 55.64$ ;  $\rho = 1000$  kg/m<sup>3</sup>

Phantom section: Flat Section

Measurement Standard: DASYS (IEEE/IEC/ANSI C63.19-2007)

DASY52 Configuration:

- Probe: ES3DV3 - SN3244; ConvF(6.05, 6.05, 6.05); Calibrated: 10/13/2010
- Sensor-Surface: 3mm (Mechanical Surface Detection)
- Electronics: DAE4 Sn1233; Calibrated: 10/13/2010
- Phantom: ELI 4.0; Type: QDOVA001BA; Serial: xxxxx
- DASY52 52.6.2(482); SEMCAD X 14.4.5(3634)

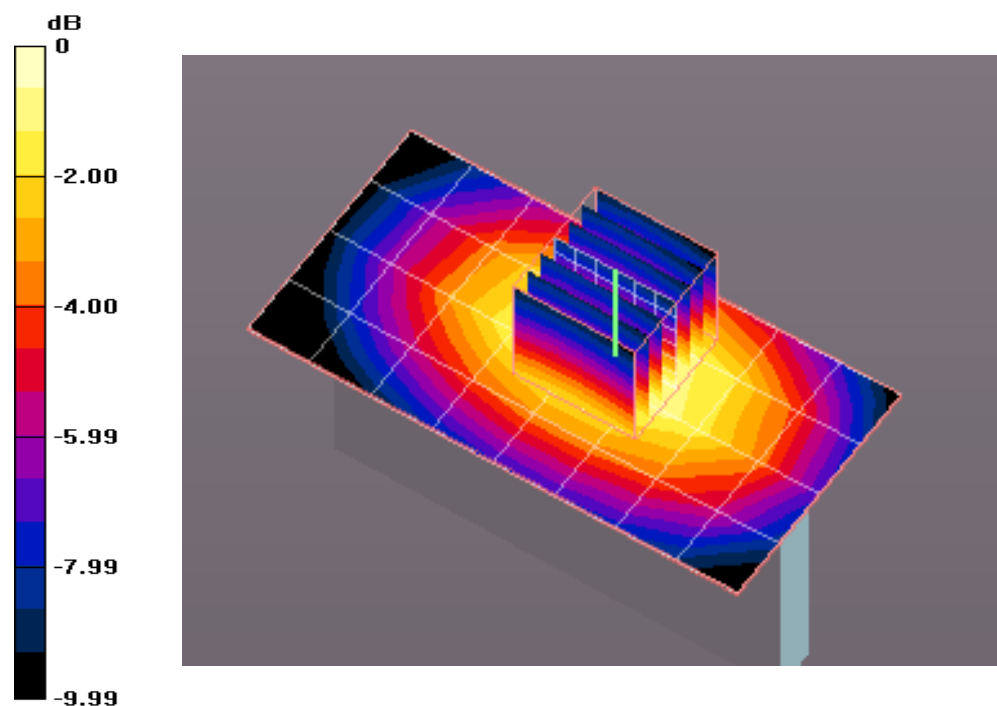
**Flat-Section MSL 2/Left Edge 10mm 836/Area Scan (9x5x1):** Measurement grid: dx=15mm, dy=15mm  
Maximum value of SAR (measured) = 0.316 mW/g**Flat-Section MSL 2/Left Edge 10mm 836/Zoom Scan (7x7x7)/Cube 0:** Measurement grid: dx=5mm, dy=5mm, dz=5mm

Reference Value = 18.285 V/m; Power Drift = -0.05 dB

Peak SAR (extrapolated) = 0.433 W/kg

**SAR(1 g) = 0.299 mW/g; SAR(10 g) = 0.203 mW/g**

Maximum value of SAR (measured) = 0.346 mW/g



0 dB = 0.350mW/g

**Plot 4**

Date/Time: 10/6/2011 2:01:05 PM, Date/Time: 10/6/2011 2:06:16 PM

Test Laboratory: Cetecom Inc. SAR 1 Lab

**DUT: RDS41CW; Type: Phone; Serial: MEID 76C81**

Communication System: CDMA RC3; Frequency: 836.52 MHz

Medium parameters used:  $f = 836.52$  MHz;  $\sigma = 1.012$  mho/m;  $\epsilon_r = 55.64$ ;  $\rho = 1000$  kg/m<sup>3</sup>

Phantom section: Flat Section

Measurement Standard: DASYS (IEEE/IEC/ANSI C63.19-2007)

DASY52 Configuration:

- Probe: ES3DV3 - SN3244; ConvF(6.05, 6.05, 6.05); Calibrated: 10/13/2010
- Sensor-Surface: 3mm (Mechanical Surface Detection)
- Electronics: DAE4 Sn1233; Calibrated: 10/13/2010
- Phantom: ELI 4.0; Type: QDOVA001BA; Serial: xxxxx
- DASY52 52.6.2(482); SEMCAD X 14.4.5(3634)

**Flat-Section MSL 2/Right Edge 10mm 836/Area Scan (9x6x1):** Measurement grid: dx=15mm, dy=15mm

Maximum value of SAR (measured) = 0.427 mW/g

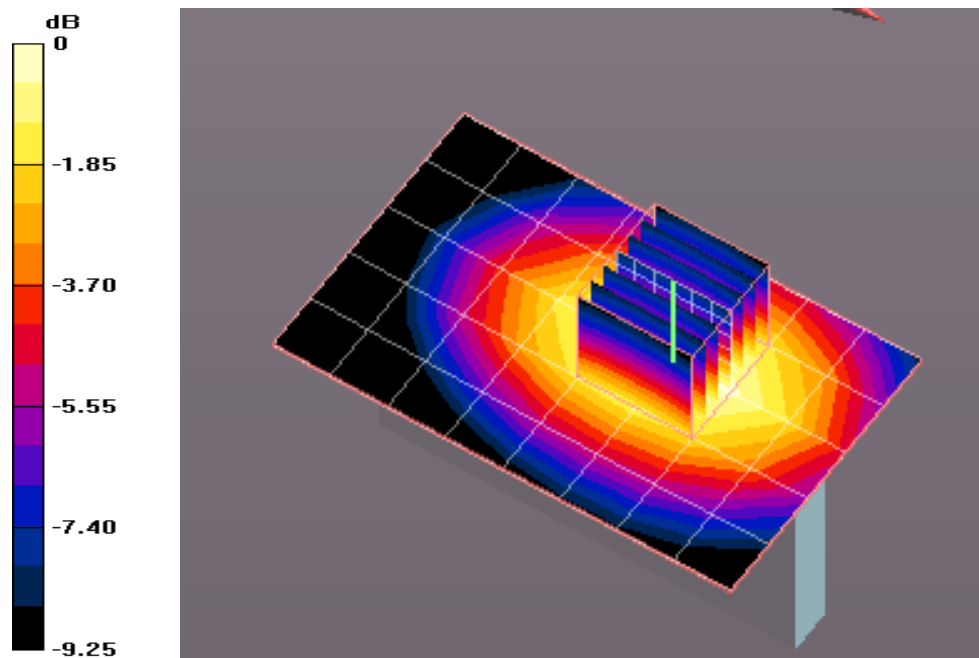
**Flat-Section MSL 2/Right Edge 10mm 836/Zoom Scan (7x7x7)/Cube 0:** Measurement grid: dx=5mm, dy=5mm, dz=5mm

Reference Value = 20.172 V/m; Power Drift = -0.12 dB

Peak SAR (extrapolated) = 0.521 W/kg

**SAR(1 g) = 0.369 mW/g; SAR(10 g) = 0.256 mW/g**

Maximum value of SAR (measured) = 0.420 mW/g



**Plot 5**

Date/Time: 10/6/2011 2:48:16 PM, Date/Time: 10/6/2011 2:51:46 PM

Test Laboratory: Cetecom Inc. SAR 1 Lab

**DUT: RDS41CW; Type: Phone; Serial: MEID 76C81**

Communication System: CDMA RC3; Frequency: 836.52 MHz

Medium parameters used:  $f = 836.52$  MHz;  $\sigma = 1.012$  mho/m;  $\epsilon_r = 55.64$ ;  $\rho = 1000$  kg/m<sup>3</sup>

Phantom section: Flat Section

Measurement Standard: DASYS (IEEE/IEC/ANSI C63.19-2007)

DASY52 Configuration:

- Probe: ES3DV3 - SN3244; ConvF(6.05, 6.05, 6.05); Calibrated: 10/13/2010
- Sensor-Surface: 3mm (Mechanical Surface Detection)
- Electronics: DAE4 Sn1233; Calibrated: 10/13/2010
- Phantom: ELI 4.0; Type: QDOVA001BA; Serial: xxxxx
- DASY52 52.6.2(482); SEMCAD X 14.4.5(3634)

**Flat-Section MSL/Bottom 10mm 836/Area Scan (6x6x1):** Measurement grid: dx=15mm, dy=15mm

Maximum value of SAR (measured) = 0.100 mW/g

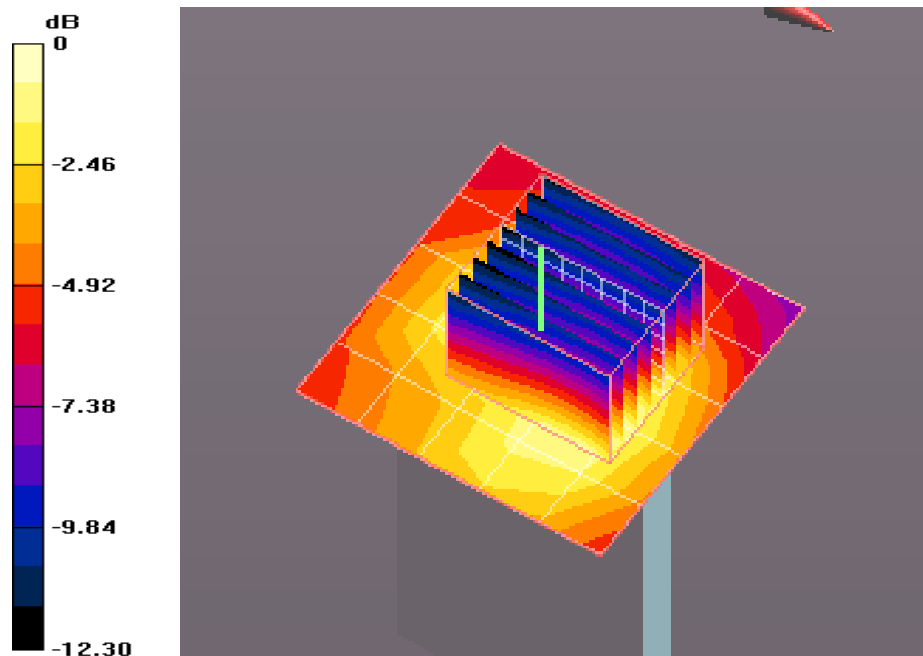
**Flat-Section MSL/Bottom 10mm 836/Zoom Scan (9x8x7)/Cube 0:** Measurement grid: dx=5mm, dy=5mm, dz=5mm

Reference Value = 8.887 V/m; Power Drift = 0.16 dB

Peak SAR (extrapolated) = 0.175 W/kg

**SAR(1 g) = 0.093 mW/g; SAR(10 g) = 0.058 mW/g**

Maximum value of SAR (measured) = 0.113 mW/g



0 dB = 0.110mW/g

**Plot 6**

Date/Time: 10/7/2011 2:56:40 PM, Date/Time: 10/7/2011 3:01:49 PM

Test Laboratory: Cetecom Inc. SAR 1 Lab

**DUT: RDS41CW; Type: Phone; Serial: MEID 76C81**

Communication System: CDMA RC3; Frequency: 820.5 MHz

Medium parameters used:  $f = 820.5$  MHz;  $\sigma = 0.994$  mho/m;  $\epsilon_r = 55.69$ ;  $\rho = 1000$  kg/m<sup>3</sup>

Phantom section: Flat Section

Measurement Standard: DASYS (IEEE/IEC/ANSI C63.19-2007)

DASY52 Configuration:

- Probe: ES3DV3 - SN3244; ConvF(6.05, 6.05, 6.05); Calibrated: 10/13/2010
- Sensor-Surface: 3mm (Mechanical Surface Detection)
- Electronics: DAE4 Sn1233; Calibrated: 10/13/2010
- Phantom: ELI 4.0; Type: QDOVA001BA; Serial: xxxx
- DASY52 52.6.2(482); SEMCAD X 14.4.5(3634)

**Flat-Section MSL/Front 10mm 820/Area Scan (6x9x1):** Measurement grid: dx=15mm, dy=15mm

Maximum value of SAR (measured) = 0.555 mW/g

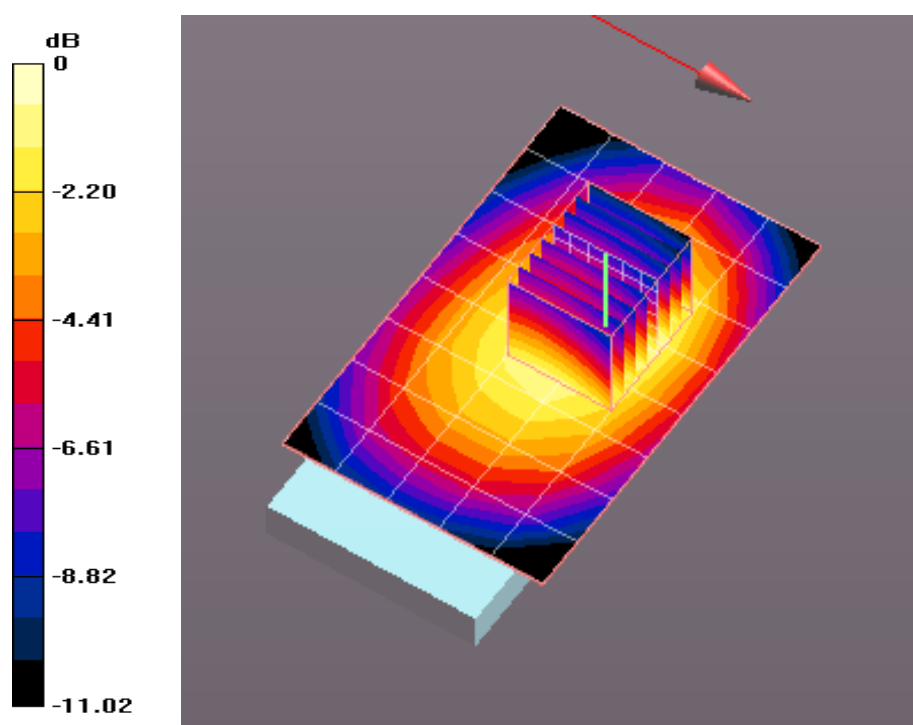
**Flat-Section MSL/Front 10mm 820/Zoom Scan (7x8x7)/Cube 0:** Measurement grid: dx=5mm, dy=5mm, dz=5mm

Reference Value = 19.642 V/m; Power Drift = -0.20 dB

Peak SAR (extrapolated) = 0.677 W/kg

**SAR(1 g) = 0.484 mW/g; SAR(10 g) = 0.342 mW/g**

Maximum value of SAR (measured) = 0.545 mW/g



0 dB = 0.550mW/g

**Plot 7**

Date/Time: 10/7/2011 3:23:00 PM, Date/Time: 10/7/2011 3:28:10 PM

Test Laboratory: Cetecom Inc. SAR 1 Lab

**DUT: RDS41CW; Type: Phone; Serial: MEID 76C81**

Communication System: CDMA RC3; Frequency: 820.5 MHz

Medium parameters used:  $f = 820.5$  MHz;  $\sigma = 0.994$  mho/m;  $\epsilon_r = 55.69$ ;  $\rho = 1000$  kg/m<sup>3</sup>

Phantom section: Flat Section

Measurement Standard: DASYS (IEEE/IEC/ANSI C63.19-2007)

DASY52 Configuration:

- Probe: ES3DV3 - SN3244; ConvF(6.05, 6.05, 6.05); Calibrated: 10/13/2010
- Sensor-Surface: 3mm (Mechanical Surface Detection)
- Electronics: DAE4 Sn1233; Calibrated: 10/13/2010
- Phantom: ELI 4.0; Type: QDOVA001BA; Serial: xxxxx
- DASY52 52.6.2(482); SEMCAD X 14.4.5(3634)

**Flat-Section MSL/Back 10mm 820/Area Scan (6x9x1):** Measurement grid: dx=15mm, dy=15mm

Maximum value of SAR (measured) = 0.912 mW/g

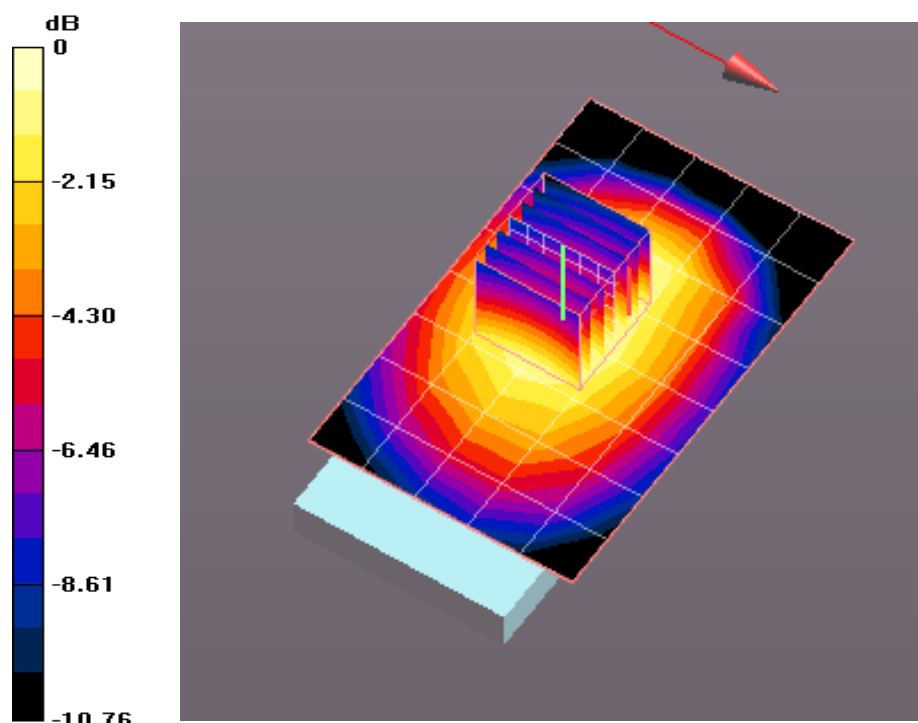
**Flat-Section MSL/Back 10mm 820/Zoom Scan (7x7x7)/Cube 0:** Measurement grid: dx=5mm, dy=5mm, dz=5mm

Reference Value = 26.232 V/m; Power Drift = -0.02 dB

Peak SAR (extrapolated) = 1.126 W/kg

**SAR(1 g) = 0.825 mW/g; SAR(10 g) = 0.583 mW/g**

Maximum value of SAR (measured) = 0.928 mW/g



0 dB = 0.930mW/g

**Plot 8**

Date/Time: 10/7/2011 5:19:01 PM, Date/Time: 10/7/2011 5:24:12 PM

Test Laboratory: Cetecom Inc. SAR 1 Lab

**DUT: RDS41CW; Type: Phone; Serial: MEID 76C81**

Communication System: CDMA RC3; Frequency: 820.5 MHz

Medium parameters used:  $f = 820.5$  MHz;  $\sigma = 0.994$  mho/m;  $\epsilon_r = 55.69$ ;  $\rho = 1000$  kg/m<sup>3</sup>

Phantom section: Flat Section

Measurement Standard: DASYS (IEEE/IEC/ANSI C63.19-2007)

DASY52 Configuration:

- Probe: ES3DV3 - SN3244; ConvF(6.05, 6.05, 6.05); Calibrated: 10/13/2010
- Sensor-Surface: 3mm (Mechanical Surface Detection)
- Electronics: DAE4 Sn1233; Calibrated: 10/13/2010
- Phantom: ELI 4.0; Type: QDOVA001BA; Serial: xxxx
- DASY52 52.6.2(482); SEMCAD X 14.4.5(3634)

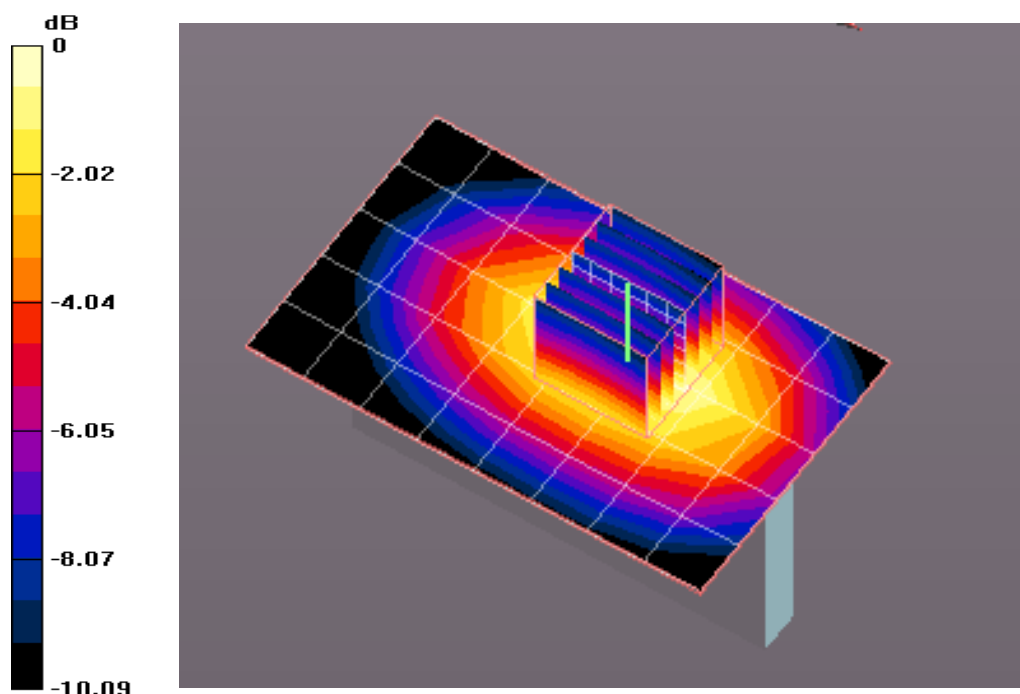
**Flat-Section MSL 2/Left Edge 10mm 820/Area Scan (9x6x1):** Measurement grid: dx=15mm, dy=15mm  
Maximum value of SAR (measured) = 0.407 mW/g**Flat-Section MSL 2/Left Edge 10mm 820/Zoom Scan (7x7x7)/Cube 0:** Measurement grid: dx=5mm, dy=5mm, dz=5mm

Reference Value = 19.919 V/m; Power Drift = 0.14 dB

Peak SAR (extrapolated) = 0.530 W/kg

**SAR(1 g) = 0.365 mW/g; SAR(10 g) = 0.247 mW/g**

Maximum value of SAR (measured) = 0.422 mW/g



0 dB = 0.420mW/g



## Plot 9

Date/Time: 10/7/2011 4:57:03 PM, Date/Time: 10/7/2011 5:02:13 PM

Test Laboratory: Cetecom Inc. SAR 1 Lab

**DUT: RDS41CW; Type: Phone; Serial: MEID 76C81**

Communication System: CDMA RC3; Frequency: 820.5 MHz

Medium parameters used:  $f = 820.5$  MHz;  $\sigma = 0.994$  mho/m;  $\epsilon_r = 55.69$ ;  $\rho = 1000$  kg/m<sup>3</sup>

Phantom section: Flat Section

Measurement Standard: DASYS (IEEE/IEC/ANSI C63.19-2007)

DASY52 Configuration:

- Probe: ES3DV3 - SN3244; ConvF(6.05, 6.05, 6.05); Calibrated: 10/13/2010
- Sensor-Surface: 3mm (Mechanical Surface Detection)
- Electronics: DAE4 Sn1233; Calibrated: 10/13/2010
- Phantom: ELI 4.0; Type: QDOVA001BA; Serial: xxxxx
- DASY52 52.6.2(482); SEMCAD X 14.4.5(3634)

**Flat-Section MSL 2/Right Edge 10mm 820/Area Scan (9x6x1):** Measurement grid: dx=15mm, dy=15mm

Maximum value of SAR (measured) = 0.463 mW/g

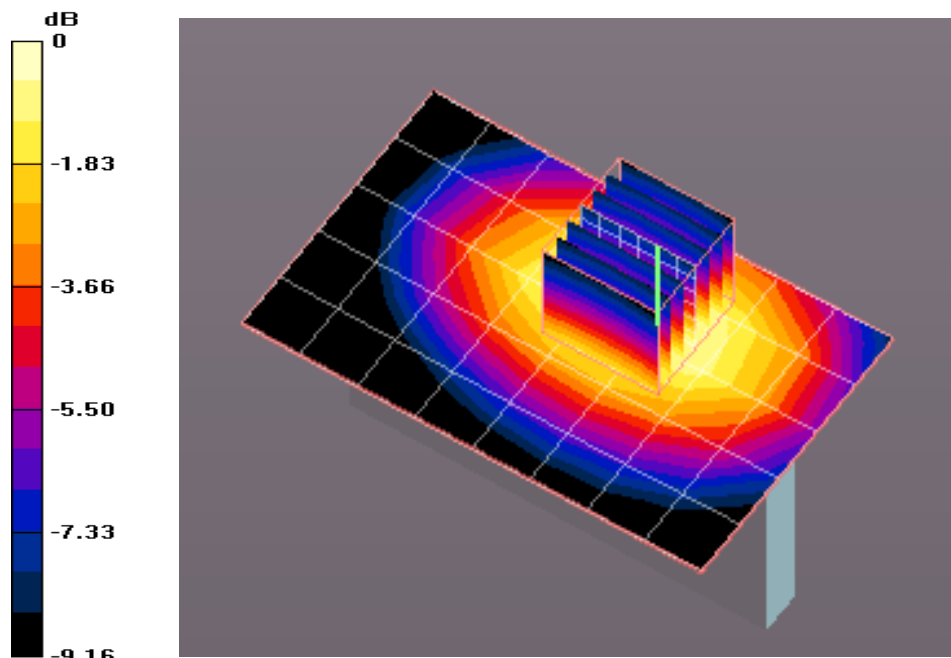
**Flat-Section MSL 2/Right Edge 10mm 820/Zoom Scan (7x7x7)/Cube 0:** Measurement grid: dx=5mm, dy=5mm, dz=5mm

Reference Value = 20.878 V/m; Power Drift = -0.13 dB

Peak SAR (extrapolated) = 0.599 W/kg

**SAR(1 g) = 0.420 mW/g; SAR(10 g) = 0.292 mW/g**

Maximum value of SAR (measured) = 0.480 mW/g



0 dB = 0.480mW/g

**Plot 10**

Date/Time: 10/7/2011 5:39:56 PM, Date/Time: 10/7/2011 5:44:00 PM

Test Laboratory: Cetecom Inc. SAR 1 Lab

**DUT: RDS41CW; Type: Phone; Serial: MEID 76C81**

Communication System: CDMA RC3; Frequency: 820.5 MHz

Medium parameters used:  $f = 820.5$  MHz;  $\sigma = 0.994$  mho/m;  $\epsilon_r = 55.69$ ;  $\rho = 1000$  kg/m<sup>3</sup>

Phantom section: Flat Section

Measurement Standard: DASYS (IEEE/IEC/ANSI C63.19-2007)

DASY52 Configuration:

- Probe: ES3DV3 - SN3244; ConvF(6.05, 6.05, 6.05); Calibrated: 10/13/2010
- Sensor-Surface: 3mm (Mechanical Surface Detection)
- Electronics: DAE4 Sn1233; Calibrated: 10/13/2010
- Phantom: ELI 4.0; Type: QDOVA001BA; Serial: xxxx
- DASY52 52.6.2(482); SEMCAD X 14.4.5(3634)

**Flat-Section MSL/Bottom 10mm 820/Area Scan (7x6x1):** Measurement grid: dx=15mm, dy=15mm  
 Maximum value of SAR (measured) = 0.103 mW/g

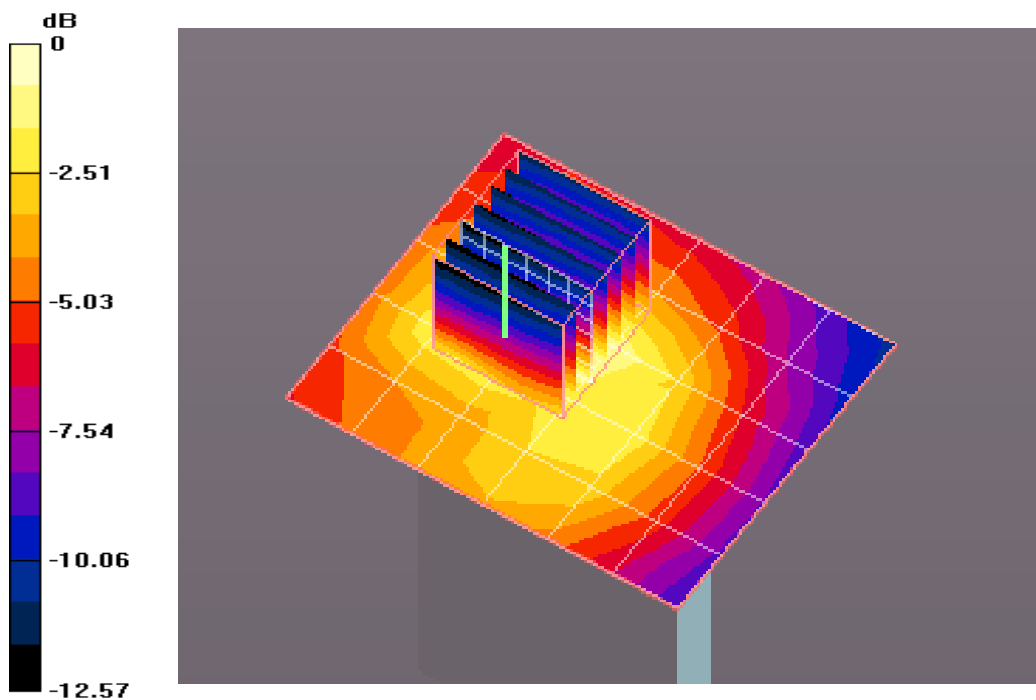
**Flat-Section MSL/Bottom 10mm 820/Zoom Scan (7x7x7)/Cube 0:** Measurement grid: dx=5mm, dy=5mm, dz=5mm

Reference Value = 8.542 V/m; Power Drift = 0.19 dB

Peak SAR (extrapolated) = 0.203 W/kg

**SAR(1 g) = 0.101 mW/g; SAR(10 g) = 0.059 mW/g**

Maximum value of SAR (measured) = 0.125 mW/g



0 dB = 0.120mW/g

**Plot 11**

Date/Time: 10/7/2011 3:47:13 PM, Date/Time: 10/7/2011 3:52:24 PM

Test Laboratory: Cetecom Inc. SAR 1 Lab

**DUT: RDS41CW; Type: Phone; Serial: MEID 76C81**

Communication System: CDMA RC3; Frequency: 817.9 MHz

Medium parameters used:  $f = 817.9$  MHz;  $\sigma = 0.993$  mho/m;  $\epsilon_r = 55.75$ ;  $\rho = 1000$  kg/m<sup>3</sup>

Phantom section: Flat Section

Measurement Standard: DASYS (IEEE/IEC/ANSI C63.19-2007)

DASY52 Configuration:

- Probe: ES3DV3 - SN3244; ConvF(6.05, 6.05, 6.05); Calibrated: 10/13/2010
- Sensor-Surface: 3mm (Mechanical Surface Detection)
- Electronics: DAE4 Sn1233; Calibrated: 10/13/2010
- Phantom: ELI 4.0; Type: QDOVA001BA; Serial: xxxxx
- DASY52 52.6.2(482); SEMCAD X 14.4.5(3634)

**Flat-Section MSL/Back 10mm 817/Area Scan (6x9x1):** Measurement grid: dx=15mm, dy=15mm

Maximum value of SAR (measured) = 0.924 mW/g

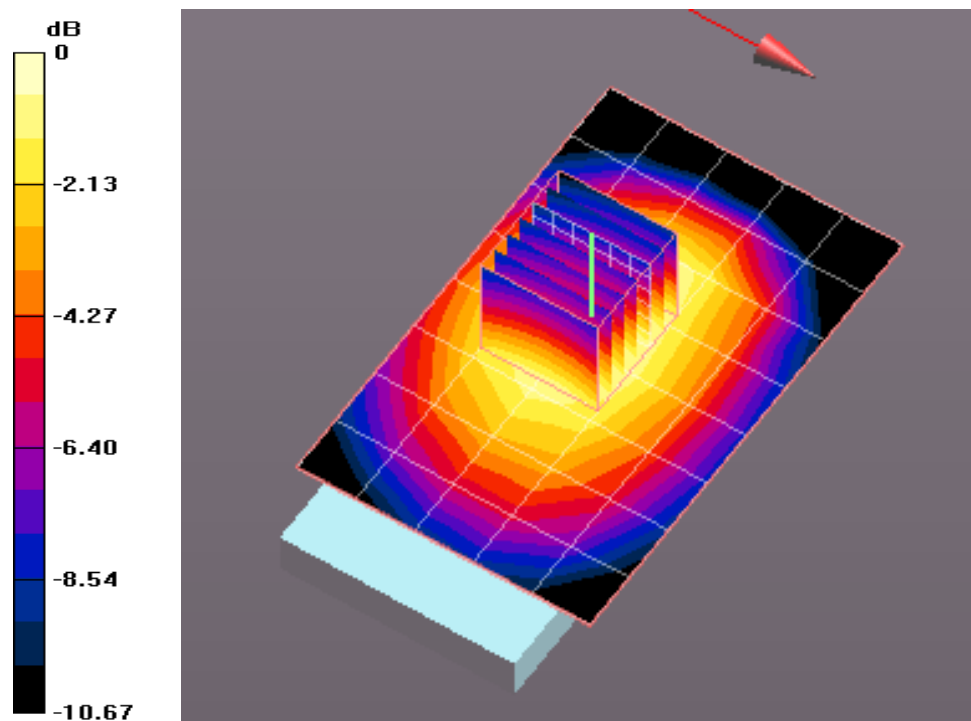
**Flat-Section MSL/Back 10mm 817/Zoom Scan (7x7x7)/Cube 0:** Measurement grid: dx=5mm, dy=5mm, dz=5mm

Reference Value = 26.083 V/m; Power Drift = 0.04 dB

Peak SAR (extrapolated) = 1.156 W/kg

**SAR(1 g) = 0.834 mW/g; SAR(10 g) = 0.589 mW/g**

Maximum value of SAR (measured) = 0.942 mW/g



**Plot 12**

Date/Time: 10/7/2011 4:29:07 PM, Date/Time: 10/7/2011 4:34:18 PM

Test Laboratory: Cetecom Inc. SAR 1 Lab

**DUT: RDS41CW; Type: Phone; Serial: MEID 76C81**

Communication System: CDMA RC3; Frequency: 823.1 MHz

Medium parameters used:  $f = 823.1$  MHz;  $\sigma = 0.997$  mho/m;  $\epsilon_r = 55.67$ ;  $\rho = 1000$  kg/m<sup>3</sup>

Phantom section: Flat Section

Measurement Standard: DASYS (IEEE/IEC/ANSI C63.19-2007)

DASY52 Configuration:

- Probe: ES3DV3 - SN3244; ConvF(6.05, 6.05, 6.05); Calibrated: 10/13/2010
- Sensor-Surface: 3mm (Mechanical Surface Detection)
- Electronics: DAE4 Sn1233; Calibrated: 10/13/2010
- Phantom: ELI 4.0; Type: QDOVA001BA; Serial: xxxxx
- DASY52 52.6.2(482); SEMCAD X 14.4.5(3634)

**Flat-Section MSL/Back 10mm 823/Area Scan (6x9x1):** Measurement grid: dx=15mm, dy=15mm

Maximum value of SAR (measured) = 0.929 mW/g

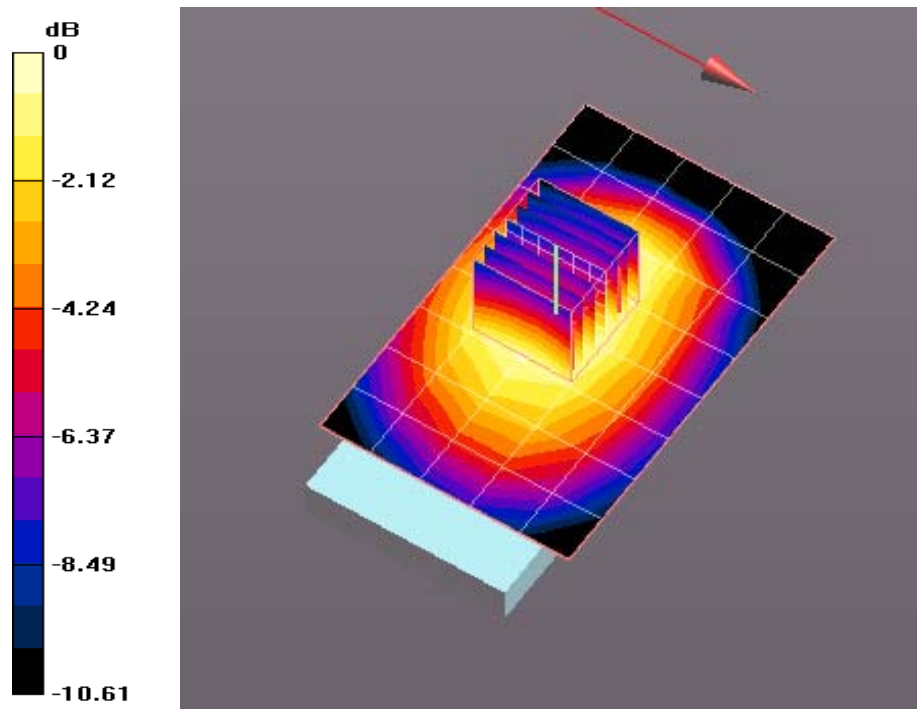
**Flat-Section MSL/Back 10mm 823/Zoom Scan (7x7x7)/Cube 0:** Measurement grid: dx=5mm, dy=5mm, dz=5mm

Reference Value = 27.130 V/m; Power Drift = -0.11 dB

Peak SAR (extrapolated) = 1.065 W/kg

**SAR(1 g) = 0.788 mW/g; SAR(10 g) = 0.562 mW/g**

Maximum value of SAR (measured) = 0.880 mW/g



0 dB = 0.880mW/g

### Plot 13

Date/Time: 10/6/2011 11:09:59 AM, Date/Time: 10/6/2011 11:16:24 AM

Test Laboratory: Cetecom Inc. SAR 1 Lab

**DUT: Dipole 835 MHz - D835V2 - SN4d113; Type: D835V2; Serial: D835V2 - SN:4d113**

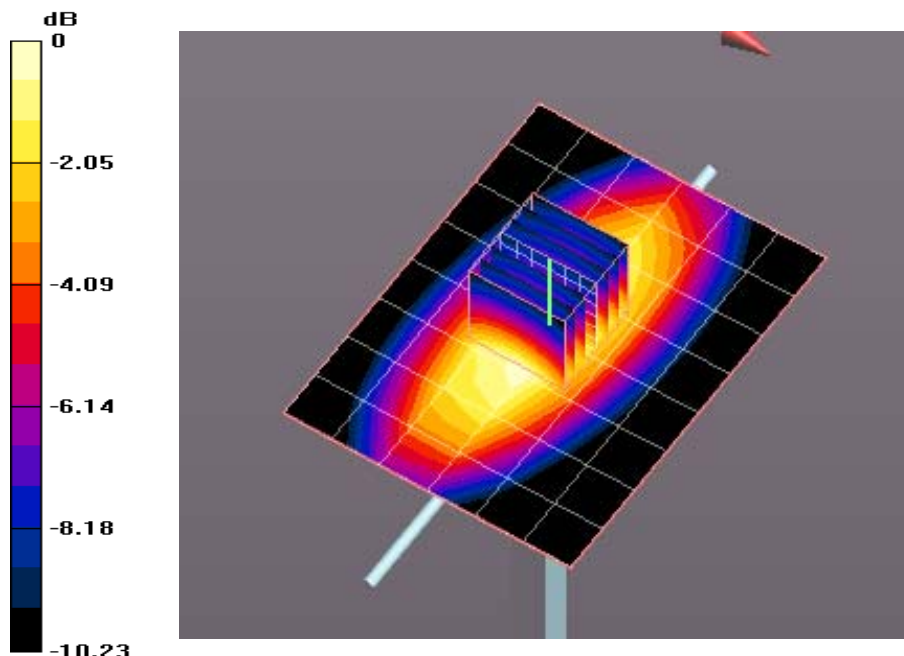
Communication System: CW; Frequency: 835 MHz  
Medium parameters used:  $f = 835$  MHz;  $\sigma = 1.01$  mho/m;  $\epsilon_r = 55.65$ ;  $\rho = 1000$  kg/m<sup>3</sup>  
Phantom section: Flat Section  
Measurement Standard: DASYS (IEEE/IEC/ANSI C63.19-2007)

DASY52 Configuration:

- Probe: ES3DV3 - SN3244; ConvF(6.05, 6.05, 6.05); Calibrated: 10/13/2010
- Sensor-Surface: 3mm (Mechanical Surface Detection), Sensor-Surface: 4mm (Mechanical Surface Detection)
- Electronics: DAE4 Sn1233; Calibrated: 10/13/2010
- Phantom: ELI 4.0; Type: QDOVA001BA; Serial: xxxxx
- DASY52 52.6.2(482); SEMCAD X 14.4.5(3634)

**System Performance Check at Frequencies below 1 GHz/d=15mm, Pin=1W, dist=3.0mm (ES-Probe)/Area Scan (7x9x1):** Measurement grid: dx=15mm, dy=15mm  
Maximum value of SAR (measured) = 12.473 mW/g

**System Performance Check at Frequencies below 1 GHz/d=15mm, Pin=1W, dist=3.0mm (ES-Probe)/Zoom Scan (7x7x7) (7x7x7)/Cube 0:** Measurement grid: dx=5mm, dy=5mm, dz=5mm  
Reference Value = 117.0 V/m; Power Drift = -0.08 dB  
Peak SAR (extrapolated) = 16.178 W/kg  
**SAR(1 g) = 10.9 mW/g; SAR(10 g) = 7.18 mW/g**  
Maximum value of SAR (measured) = 11.825 mW/g



0 dB = 11.820mW/g

## Plot 14

Date/Time: 10/7/2011 2:14:24 PM, Date/Time: 10/7/2011 2:20:46 PM

Test Laboratory: Cetecom Inc. SAR 1 Lab

**DUT: Dipole 835 MHz - D835V2 - SN4d113; Type: D835V2; Serial: D835V2 - SN:4d113**

Communication System: CW; Frequency: 835 MHz

Medium parameters used:  $f = 835$  MHz;  $\sigma = 1.01$  mho/m;  $\epsilon_r = 55.52$ ;  $\rho = 1000$  kg/m<sup>3</sup>

Phantom section: Flat Section

Measurement Standard: DASYS (IEEE/IEC/ANSI C63.19-2007)

DASY52 Configuration:

- Probe: ES3DV3 - SN3244; ConvF(6.05, 6.05, 6.05); Calibrated: 10/13/2010
- Sensor-Surface: 3mm (Mechanical Surface Detection), Sensor-Surface: 4mm (Mechanical Surface Detection)
- Electronics: DAE4 Sn1233; Calibrated: 10/13/2010
- Phantom: ELI 4.0; Type: QDOVA001BA; Serial: xxxxx
- DASYS52 52.6.2(482); SEMCAD X 14.4.5(3634)

**System Performance Check at Frequencies below 1 GHz/d=15mm, Pin=1W, dist=3.0mm (ES-Probe)/Area Scan (7x9x1):** Measurement grid: dx=15mm, dy=15mm

Maximum value of SAR (measured) = 12.498 mW/g

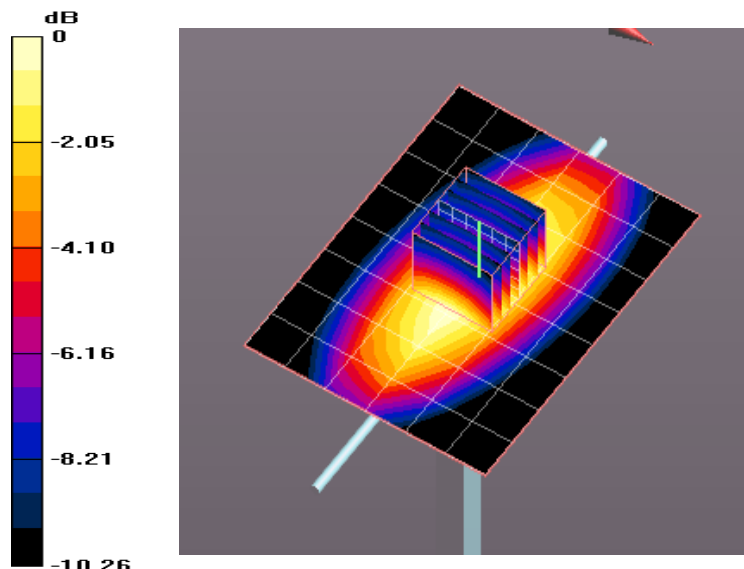
**System Performance Check at Frequencies below 1 GHz/d=15mm, Pin=1W, dist=3.0mm (ES-Probe)/Zoom Scan (7x7x7) (7x7x7)/Cube 0:** Measurement grid: dx=5mm, dy=5mm, dz=5mm

Reference Value = 109.0 V/m; Power Drift = -0.13 dB

Peak SAR (extrapolated) = 15.614 W/kg

**SAR(1 g) = 10.5 mW/g; SAR(10 g) = 6.92 mW/g**

Maximum value of SAR (measured) = 11.423 mW/g



0 dB = 11.420mW/g