

RTS RIM Testing Services	Document Hearing Aid Compatibility RF Emissions Test Report for the BlackBerry® Smartphone model RCF71CW		Page 1(19)
	Author Data Daoud Attayi	Dates of Test Mar 20-24, 2009	Report No RTS-1528-0903-38

Hearing Aid Compatibility RF Emissions Test Report

Testing Lab:	RIM Testing Services (RTS)	Applicant:	Research In Motion Limited
	440 Phillip Street		295 Phillip Street
	Waterloo, Ontario		Waterloo, Ontario
	Canada N2L 5R9		Canada N2L 3W8
	Phone: 519-888-7465		Phone: 519-888-7465
	Fax: 519-746-0189		Fax: 519-888-6906
			Web site: www.rim.com

Statement of Compliance: RIM Testing Services (RTS) declares that the product was tested in accordance with the appropriate measurement standards, guidelines and recommended practices.

This Blackberry® Smartphone is a wireless portable device and has been shown to be in compliance with FCC 20.19 (10-1-07 Edition), Hearing Aid-Compatible Mobile Handsets, FCC Public Notice DA 06-1215 (June 6, 2006) and FCC Report and Order, FCC 08-68 (Feb. 28, 2008).

Signatures

Date

Tested & documented by:

Daoud Attayi
Senior Compliance Specialist



31-Mar-2009

Reveiwed & approved by:

Paul G. Cardinal, Ph.D.
Director, RIM Testing Services



20-Apr-2009

RTS RIM Testing Services	Document Hearing Aid Compatibility RF Emissions Test Report for the BlackBerry® Smartphone model RCF71CW		Page 2(19)
	Author Data Daoud Attayi	Dates of Test Mar 20-24, 2009	Report No RTS-1528-0903-38

CONTENTS

1.0 Introduction.....	3
2.0 Applicable references.....	4
3.1 Picture of device	5
3.2 Device description	5
3.3 Battery	5
3.4 Antenna description.....	6
4.0 List of test equipment.....	6
5.2 Near-Field RF Emission	12
6.0 Summary of results	15
6.1 Conclusion.....	17
7.0 Measurement uncertainty.....	18
7.1 Site-Specific Uncertainty	19

Annex A: Measurement plots and data

A.1 Spectrum analyser plots: CW, 80% AM and GSM signals

A.2 Dipole validation and probe modulation factor plots

Justification of step size and interpolation

A.3 RF emission field plots

Annex B: Probe and dipole descriptions and calibration certificates

B.1 Probe and measurement chain description and specifications

B.2 Probe and dipole calibration certificates

Annex C: Test set up photos

RTS RIM Testing Services	Document Hearing Aid Compatibility RF Emissions Test Report for the BlackBerry® Smartphone model RCF71CW		Page 3(19)
	Author Data Daoud Attayi	Dates of Test Mar 20-24, 2009	Report No RTS-1528-0903-38

1.0 Introduction

This test report documents the measurement of the near electric and magnetic fields generated by a wireless communication device in the region where a hearing aid would be used. The measurement procedures of ANSI C63.19-2007 were followed along with the guidance provided by the FCC.

The electric and magnetic fields from a wireless device are scanned using a SPEAG DASY4 automated system with HAC extension and free-space probes (ER3DVx and H3DVx) in a 5cm x 5cm area, 15mm above the wireless device's acoustic output and the centre point of the probe element. The area is divided into 9 sub-grids and the maximum values of the electrical and a magnetic field scans are evaluated automatically according to the rules defined in the standard and the device is assigned a certain category. Should the wireless device's maximum T-Coil output occur in a location other than the centre of acoustic output, then the RF field scans are repeated with the measurement area centered on the maximum T-Coil output location.

The DASY4 HAC Extension consists of the following parts: the Test Arch phantom, three validation dipoles, dipole and DUT holders, magnetic and electric field probes and DASY4 software. The field probes and measurement electronics are described in Annex B.1.

The specially designed Test Arch allows high precision positioning of both the device and any of the validation dipoles. The broadband dipoles are calibrated at a single frequency and are used for system performance checks.

In order to correlate the usability of a hearing aid with a wireless device (WD), the WD's radio frequency (RF) and audio band emissions are measured. ANSI C63.19 requires:

- Radio frequency (RF) measurements of the near-field electric and magnetic fields emitted by a WD in the vicinity of the audio output to categorize these emissions for correlation with the RF immunity of the microphone mode of operation of a hearing aid.
- Audio frequency magnetic field measurements of a WD emitted in the vicinity of the audio output to categorize these emissions for correlation with the T-Coil mode of operation of a hearing aid.

Hence, the following measurements are made for the WDs:

1. RF E-Field emissions.
2. RF H-Field emissions.
3. T-Coil mode, magnetic signal strength in the audio band.
4. T-Coil mode, magnetic signal and noise articulation index.
5. T-Coil mode, magnetic signal frequency response through the audio band.
6. RF T-Coil environment: The worst case M rating from E or H field 5x5 cm scan centered at the axial T-coil highest peak location.

RTS RIM Testing Services	Document Hearing Aid Compatibility RF Emissions Test Report for the BlackBerry® Smartphone model RCF71CW		Page 4(19)
	Author Data Daoud Attayi	Dates of Test Mar 20-24, 2009	Report No RTS-1528-0903-38

2.0 Applicable references

[1] ANSI C63.19-2007, American National Standard for Methods of Measurement of Compatibility between Wireless Communication Devices and Hearing Aids

[2] FCC 47CFR § 20.19 (10-1-07 Edition), Hearing Aid-Compatible Mobile Handsets

[3] FCC Public Notice DA 06-1215, June 2006

[4] SPEAG DASY4 V4.7 user manual, June 2006

[5] FCC Equipment Authorization Guidance on Hearing Aid Compatibility, Sep/Oct 2008

[6] FCC Report and Order, FCC 08-68, Feb 2008

RTS RIM Testing Services	Document Hearing Aid Compatibility RF Emissions Test Report for the BlackBerry® Smartphone model RCF71CW		Page 5(19)
	Author Data Daoud Attayi	Dates of Test Mar 20-24, 2009	Report No RTS-1528-0903-38

3.0 Equipment unit tested

3.1 Picture of device

Please refer to Annex C.

Figure 1. BlackBerry® smartphone

3.2 Device description

Device Model	RCF71CW				
FCC ID	L6ARCF70CW				
PIN Number	306F5B13, 306F597B				
Prototype or Production Unit	Production				
Mode(s) of Operation	GSM 850	GSM 1900	CDMA2000 800	CDMA2000 1900	* Bluetooth
Nominal Maximum conducted RF Output Power (dBm)	33.00	29.50	24.00	23.50	5.50
Tolerance in Power Setting on centre channel (dB)	± 0.50	± 0.50	± 0.50	± 0.50	N/A
Duty Cycle	1:8	1:8	1:1	1:1	N/A
Transmitting Frequency Range (MHz)	824.2 – 848.8	1850.2 – 1909.8	824.70 – 848.52	1851.25 – 1908.50	2402-2483

Table 1. Test device characterization

* BT is not activated during test because it is not held-to-ear service.

3.3 Battery

- 1) BAT-17720-002

RTS RIM Testing Services	Document Hearing Aid Compatibility RF Emissions Test Report for the BlackBerry® Smartphone model RCF71CW		Page 6(19)
	Author Data Daoud Attayi	Dates of Test Mar 20-24, 2009	Report No RTS-1528-0903-38

3.4 Antenna description

Type	Internal fixed antenna
Location	Bottom back centre
Configuration	Internal fixed antenna

Table 2. Antenna description

4.0 List of test equipment

Manufacturer	Test Equipment	Model Number	Serial Number	Calibration Due Date
SCHMID & Partner Engineering AG	Data Acquisition Electronics (DAE3)	DAE3 V1	472	03/03/2010
SCHMID & Partner Engineering AG	3-Dimensional E-Field Probe for Near-Field	ER3DV6	2286	08/01/2010
SCHMID & Partner Engineering AG	3-Dimensional H-Field Probe for Near-Field	H3DV6	6105	10/11/2009
Rohde & Schwarz	Wireless Communication Test Set	CMU200	109747	07/12/2009
Rohde & Schwarz	Spectrum Analyzer	ESP	100884	12/09/2009
Agilent Technologies	Signal generator	8648c	4037U03155	20/09/2009
Agilent Technologies	Power meter	E4419B	GB40202821	19/09/2009
Agilent Technologies	Power sensor	8481A	MY41095417	30/09/2009
Amplifier Research	Amplifier	5S1G4M3	300986	CNR
SCHMID & Partner Engineering AG	Validation Dipole	CD835V3	1011	07/11/2009
SCHMID & Partner Engineering AG	Validation Dipole	CD1880V3	1008	08/11/2009

Table 3. List of test equipment

RTS RIM Testing Services	Document Hearing Aid Compatibility RF Emissions Test Report for the BlackBerry® Smartphone model RCF71CW		Page 7(19)
	Author Data Daoud Attayi	Dates of Test Mar 20-24, 2009	Report No RTS-1528-0903-38

5.0 Measurement procedures

5.1 System Validation

The test setup should be validated when first configured and verified periodically thereafter to ensure proper function. The procedure consists of two parts: dipole validation and determination of probe modulation factor.

5.1.1 Dipole Validation

The HAC validation dipole antenna serves as a known source for an electrical and magnetic RF output.

1. The dipole antenna was placed in the position normally occupied by the WD.
2. The dipole was energized with a 20 dBm un-modulated continuous-wave signal.
3. The center point of the probe element(s) are 10 mm from the closest surface of the dipole elements.
4. The length of the dipole was scanned with both E-field and H-field probes and the maximum value for each scan was recorded.
5. The readings were compared with the values provided by the probe manufacturer and were found to agree within tolerance of +/- 10%. Please refer to Annex A.2 for Dipole Validation Plots.

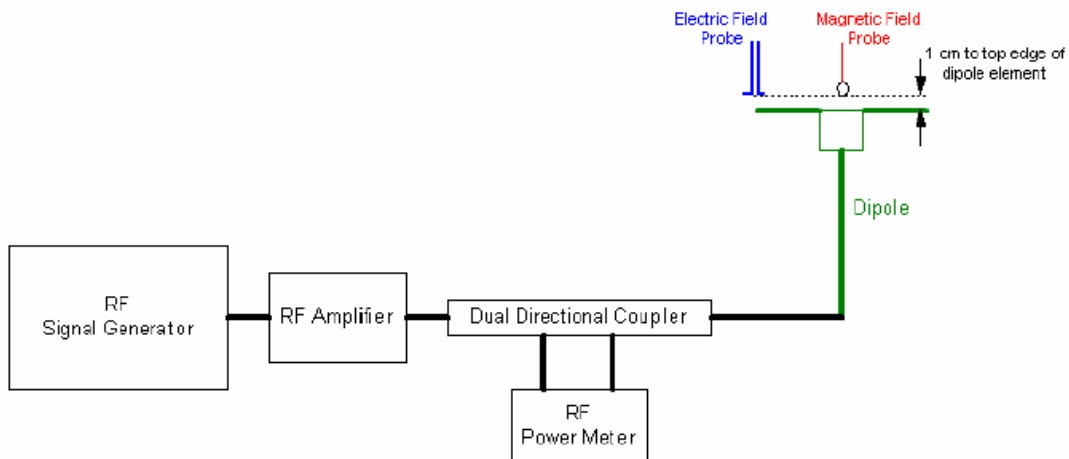


Figure 2: Dipole validation procedure

RTS RIM Testing Services	Document Hearing Aid Compatibility RF Emissions Test Report for the BlackBerry® Smartphone model RCF71CW		Page 8(19)
	Author Data Daoud Attayi	Dates of Test Mar 20-24, 2009	Report No RTS-1528-0903-38

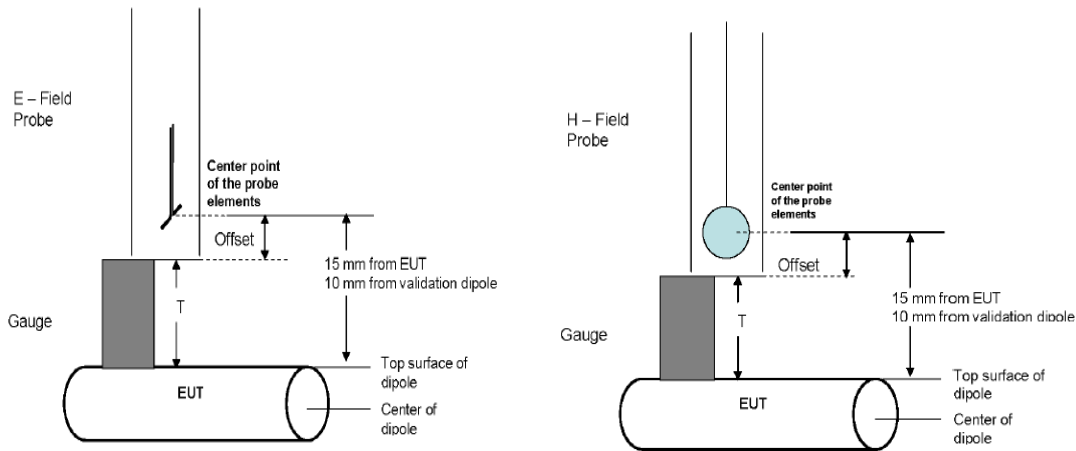


Figure 3: Gauge Block with E-Field & H-Field probes

5.1.2 RF Field Probe Modulation Factor

The Probe Modulation Factor (PMF) characterizes the responses of the E-field and H-field probes and their instrumentation chain to a modulated signal. The PMF is the ratio of the responses to fields produced by CW and modulated signals having equal peak amplitude.

Three test cases are recommended. The real or emulated WD (Wireless device) modulated signal, an unmodulated (CW) and an 80% AM RF signal shall be used for each relevant frequency band. Each of the test cases below shall be measured with both E_ and H_Field probe.

a) Measurement of real and emulated signal

- Set a WD or emulated signal source to apply full power into the reference dipole.
- Measure both the peak and average input power applied to the antenna and record the values using the following test instructions for measuring the RF interference of a modulated signal.

Spectrum analyzer set up:

RBW \geq emission bandwidth

Video Bandwidth \geq 20 KHz

Span: Zero

Center Frequency: Nominal center of frequency channel

Amplitude: Linear (logarithmic scale may be used)

Detection: Peak detection

Trigger: Video or IF trigger

Sweep rate: sufficiently rapid to permit the complete pulse to be resolved accurately.

RTS RIM Testing Services	Document Hearing Aid Compatibility RF Emissions Test Report for the BlackBerry® Smartphone model RCF71CW		Page 9(19)
	Author Data Daoud Attayi	Dates of Test Mar 20-24, 2009	Report No RTS-1528-0903-38

- Using near-field measurement system, scan the antenna over the appropriately sized area and record the greatest average power reading observed.

b) Measurement of CW and AM

- Set the RF signal generator for CW or 80 % AM and set the output power so the peak power applied to the antenna is equal to that recorded for the real or emulated signal using the WD modulation format.
- Measure both the peak and average input power applied to the antenna and record these values. Calculate the peak to average power ratio (PAR). The PAR for the CW signal should be 0.0 dB and 3.9 dB for the AM signal with 80% modulation depth from each other and the peak should be that amount above the target values.

The PMF was calculated for the following signals: 80% AM and the modulated signal produced by the WD. The PMF measurement was performed with the field probe and instrumentation that will be used together during RF emissions measurements. Once calculated, the PMF was entered into the DASY software and applied to the measured modulated fields of the specified type.

ANSI C63.19 outlines the following alternate procedure as one method for determining probe modulation factor:

1. Fix the field probe in a set location relative to a field generating device, such as the reference dipole antenna, as illustrated in Figure 2.
2. Illuminate the probe using the wireless device connected to the reference dipole with a test signal at the intended measurement frequency, Ensure there is sufficient field coupling between the probe and the antenna so the resulting reading is greater than 10 dB above the probe system noise floor but within the systems operating range.
3. Record the amplitude applied to the antenna during transmission and the field strength measured by the E-field probe located near the tip of the dipole antenna.
4. Replace the wireless device with an RF signal generator producing an unmodulated CW signal and set to the wireless device operating frequency.
5. Set the amplitude of the unmodulated signal to equal that recorded from the wireless device.
6. Record the reading of the probe measurement system of the unmodulated signal.
7. The ratio, in linear units, of the probe reading in step 6 to the reading in step 3 is the E-field modulation factor.
- 8 Repeat the above using the H-field probe, except locate the probe at the center of the dipole.

Please refer to Annex A.1 for 0 Hz-span spectrum analyzer plots. The signal generator was used to generate the CW and AM signals. The WD was used to generate the modulated signal.

Please refer to Annex A.2 for probe modulation factor measurement plots.

RTS RIM Testing Services	Document Hearing Aid Compatibility RF Emissions Test Report for the BlackBerry® Smartphone model RCF71CW		Page 10(19)
	Author Data Daoud Attayi	Dates of Test Mar 20-24, 2009	Report No RTS-1528-0903-38

f (MHz)	Signal Type (Date)	Peak Envelop Power (dBm)	Measured E-Field (V/m)	Target E-Field (V/m)	Delta (%)	Mod. Factor Ratio
835	CW	20.00	169.7	163.6	+ 3.7	-
835	CW	20.51	185.3	*		-
835	80 % AM	20.55	126.0	*		-
835	GSM 850	20.51	63.2	*		2.93
835	CW	11.59	65.9	*		-
835	80 % AM	11.59	42.5	*		-
835	CDMA 800	11.51	69.0	*		0.96
1880	CW	20.00	130.9	133.6	- 2.0	-
1880	CW	17.10	93.8	*		-
1880	80 % AM	17.09	59.8	*		-
1880	GSM 1900	17.14	32.1	*		2.92
1880	CW	10.83	46.5	*		-
1880	80 % AM	10.86	30.1	*		-
1880	CDMA 1900	10.83	46.5	*		1.00

f (MHz)	Signal Type	Peak Envelop Power (dBm)	Measured H-Field (A/m)	Target H-Field (A/m)	Delta (%)	Mod. Factor Ratio
835	CW	20.00	0.481	0.458	+ 5.0	
835	CW	20.51	0.499	*		-
835	80 % AM	20.55	0.349	*		-
835	GSM 850	20.51	0.179	*		2.79
835	CW	11.59	0.175	*		-
835	80 % AM	11.59	0.115	*		-
835	CDMA 800	11.51	0.187	*		0.94
1880	CW	20.00	0.477	0.465	+ 2.6	-
1880	CW	17.10	0.328	*		-
1880	80 % AM	17.09	0.212	*		-
1880	GSM 1900	17.14	0.129	*		2.54
1880	CW	10.83	0.162	*		-
1880	80 % AM	10.86	0.104	*		-
1880	CDMA 1900	10.83	0.169	*		0.96

Table 4: Dipole Validation and Modulation Factors

* Neither ANSI C63.19 nor the probe manufacturer provides target values for AM and WD signals. The only available target values are for 20dBm CW signal.

RTS RIM Testing Services	Document Hearing Aid Compatibility RF Emissions Test Report for the BlackBerry® Smartphone model RCF71CW		Page 11(19)
	Author Data Daoud Attayi	Dates of Test Mar 20-24, 2009	Report No RTS-1528-0903-38

5.1.3.1 Calculation of the Probe Modulation Factor

Probe Modulation Factor = Measured E or H-Field (CW)/Measured E or H-Field (Modulated)

Example: E-Field Probe Modulation Factor for GSM 835 = 185.3 / 63.2 = 2.93

RTS RIM Testing Services	Document Hearing Aid Compatibility RF Emissions Test Report for the BlackBerry® Smartphone model RCF71CW		Page 12(19)
	Author Data Daoud Attayi	Dates of Test Mar 20-24, 2009	Report No RTS-1528-0903-38

5.2 Near-Field RF Emission

The following procedure was used to measure RF near E-field and H-field emissions:

1. Proper operation of the field probe, probe measurement system, other instrumentation, and the positioning system was confirmed.
2. The WD was oriented in its intended test position with the reference plane in the horizontal plane (see Figure 4), and was secured in the device holder to maintain position accuracy.
3. A CMU 200 Base Station Simulator was used to place a normal voice call to the WD on the desired channel and to transmit at maximum power.
4. The DASY4 system measures power drift as part of each scan. If the power during a scan drifted by more than 0.20 dB, the scan was repeated. Power drift measurements for the worst-case scans are included in Annex A.3. A fully charged battery was used for each test.
5. The 5cm x 5cm measurement grid was centered on the center of the acoustic output or the T-Coil output, as appropriate. The field probe was located at the initial position at the center of the measurement grid.
6. A surface verification was performed before each setup change to ensure repeatable spacing and proper maintenance of the measurement plane.
7. The electric field probe, and separately the magnetic field probe, was used to measure the highest field strength in the 5cm x 5cm reference plane. The center point of the probe measurement element(s) shall be held 15 mm from the WD reference plane.
8. The entire 5cm x 5cm region was scanned with a 5mm step size. The reading was recorded at each measurement location. Justification of the step size and interpolation used is provided at the end of Annex A.2.
9. Around the center sub-grid, five contiguous sub-grids were identified with the lowest maximum field strength readings. Please note that a maximum of five sub-grids can be excluded for both E- and H-field measurements.
10. The highest field reading was identified within the non-excluded sub-grids
11. The highest field reading was converted from average to peak V/m or A/m, as appropriate. This conversion was done by the DASY4 SEMCAD processor after entering correct PMF.
12. Once the worst-case configuration was determined, the WD was tested with second source battery.
13. The highest peak reading was compared to the categories defined in C63.19 using the appropriate AWF (see Tables 5 and 6 in this report).

- If a WD has more than one antenna position, it is necessary to test the WD only in the condition of maximum antenna efficiency, i.e. antenna extended.
- The WD's backlight shuts off automatically a short time after a call is established.

RTS RIM Testing Services	Document Hearing Aid Compatibility RF Emissions Test Report for the BlackBerry® Smartphone model RCF71CW		Page 13(19)
	Author Data Daoud Attayi	Dates of Test Mar 20-24, 2009	Report No RTS-1528-0903-38

Category	Telephone RF Parameters < 960 MHz				
	Near Field	AWF	E-Field Emissions		H-Field Emissions
Category M1/T1	0	631.0 to 1122.0	V/m	1.91 to 3.39	A/m
	-5	473.2 to 841.4	V/m	1.43 to 2.54	A/m
Category M2/T2	0	354.8 to 631.0	V/m	1.07 to 1.91	A/m
	-5	266.1 to 473.2	V/m	0.80 to 1.43	A/m
Category M3/T3	0	199.5 to 354.8	V/m	0.60 to 1.07	A/m
	-5	149.6 to 266.1	V/m	0.45 to 0.80	A/m
Category M4/T4	0	< 199.5	V/m	< 0.60	A/m
	-5	< 149.6	V/m	< 0.45	A/m

Category	Telephone RF Parameters > 960 MHz				
	Near Field	AWF	E-Field Emissions		H-Field Emissions
Category M1/T1	0	199.5 to 354.8	V/m	0.60 to 1.07	A/m
	-5	149.6 to 266.1	V/m	0.45 to 0.80	A/m
Category M2/T2	0	112.2 to 199.5	V/m	0.34 to 0.60	A/m
	-5	84.1 to 149.6	V/m	0.25 to 0.45	A/m
Category M3/T3	0	63.1 to 112.2	V/m	0.19 to 0.34	A/m
	-5	47.3 to 84.1	V/m	0.14 to 0.25	A/m
Category M4/T4	0	<63.1	V/m	<0.19	A/m
	-5	<47.3	V/m	<0.14	A/m

Table 5: Wireless Device near-field categories

Standard	Technology	AWF (dB)
TIA/EIA/IS-2000	CDMA	0
TIA/EIA-136	TDMA (50 Hz)	0
J-STD-007	GSM (217)	-5
T1/T1P1/3GPP	UMTS (WCDMA)	0
iDEN™	TDMA (22 and 11 Hz)	0

Table 6: Articulation Weighting Factor (AWF)

RTS RIM Testing Services	Document Hearing Aid Compatibility RF Emissions Test Report for the BlackBerry® Smartphone model RCF71CW		Page 14(19)
	Author Data Daoud Attayi	Dates of Test Mar 20-24, 2009	Report No RTS-1528-0903-38

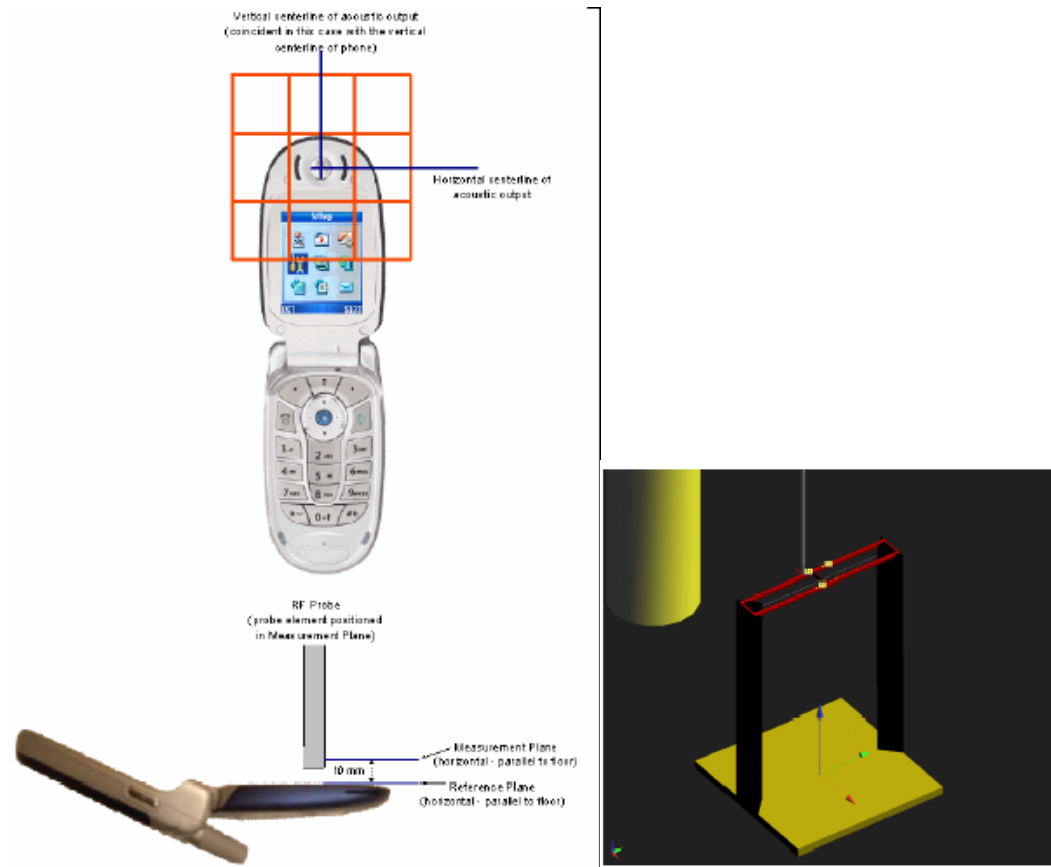


Figure 4: WD reference plane for RF emission measurements Figure 5: HAC Phantom/Test Arch

RTS RIM Testing Services	Document Hearing Aid Compatibility RF Emissions Test Report for the BlackBerry® Smartphone model RCF71CW		Page 15(19)
	Author Data Daoud Attayi	Dates of Test Mar 20-24, 2009	Report No RTS-1528-0903-38

6.0 Summary of results

Wireless Device: BlackBerry® Smartphone – Model: RCF71CW					
RF Emissions Test					
Mode	f (MHz)	Cond. Pwr. (dBm)	Peak E-Field (V/m)	Center of Speaker or T-Coil	M-Rating
GSM 850	824.2	32.8	165.2	same	3
	836.8	33.5	202.3	same	3
	848.8	33.3	211.2	same	3
CDMA 800	824.7	24.6	65.1	same	4
	836.5	24.4	68.3	same	4
	848.5	24.4	74.3	same	4
GSM 1900	1850.2	29.5	67.1	same	3
	1880.0	29.2	66.5	same	3
	1909.8	29.7	64.3	same	3
CDMA 1900	1851.2	23.4	25.4	same	4
	1880.0	23.4	25.1	same	4
	1908.5	23.6	24.7	same	4
Overall M-Rating:					M3

Table 7 – E-Field Data Summary

RTS RIM Testing Services	Document Hearing Aid Compatibility RF Emissions Test Report for the BlackBerry® Smartphone model RCF71CW		Page 16(19)
	Author Data Daoud Attayi	Dates of Test Mar 20-24, 2009	Report No RTS-1528-0903-38

Wireless Device: BlackBerry® Smartphone – Model: RCF71CW					
RF Emissions Test					
Mode	f (MHz)	Cond. Pwr. (dBm)	Peak H-Field (A/m)	Center of Speaker or T-Coil	M-Rating
GSM 850	824.2	32.8	0.425	same	4
	836.8	33.5	0.473	same	3
	848.8	33.3	0.500	same	3
CDMA 800	824.7	24.6	0.183	same	4
	836.5	24.4	0.161	same	4
	848.5	24.4	0.168	same	4
GSM 1900	1850.2	29.5	0.179	same	3
	1880.0	29.2	0.212	same	3
	1909.8	29.7	0.216	same	3
CDMA 1900	1851.2	23.4	0.080	same	4
	1880.0	23.4	0.088	same	4
	1908.5	23.6	0.089	same	4
Overall M-Rating:					M3

Table 8 – H-Field Data Summary

RTS RIM Testing Services	Document Hearing Aid Compatibility RF Emissions Test Report for the BlackBerry® Smartphone model RCF71CW		Page 17(19)
	Author Data Daoud Attayi	Dates of Test Mar 20-24, 2009	Report No RTS-1528-0903-38

6.1 Conclusion

The BlackBerry® Smartphone Model: RCF71CW is categorized to be **M3** based on RF Emission performance in accordance with ANSI C63.19-2007: American National Standard for Methods of Measurement of Compatibility between Wireless Communication Devices and Hearing Aids.

Therefore, the handheld is found to be in compliance with the requirements of FCC 20.19 (10-1-07 Edition) Hearing Aid-Compatible Mobile Handsets as modified by FCC Public Notice DA 06-1215 (Released: June 6, 2006) and FCC Report and Order, FCC 08-68 (Feb 28, 2008).

RTS RIM Testing Services	Document Hearing Aid Compatibility RF Emissions Test Report for the BlackBerry® Smartphone model RCF71CW		Page 18(19)
	Author Data Daoud Attayi	Dates of Test Mar 20-24, 2009	Report No RTS-1528-0903-38

7.0 Measurement uncertainty

HAC Uncertainty Budget According to ANSI C63.19 [1]							
Error Description	Uncertainty value	Prob. Dist.	Div.	(c_1) E	(c_1) H	Std. Unc. E	Std. Unc. H
Measurement System							
Probe Calibration	±5.1 %	N	1	1	1	±5.1 %	±5.1 %
Axial Isotropy	±4.7 %	R	$\sqrt{3}$	1	1	±2.7 %	±2.7 %
Sensor Displacement	±16.5 %	R	$\sqrt{3}$	1	0.145	±9.5 %	±1.4 %
Boundary Effects	±2.4 %	R	$\sqrt{3}$	1	1	±1.4 %	±1.4 %
Linearity	±4.7 %	R	$\sqrt{3}$	1	1	±2.7 %	±2.7 %
Scaling to Peak Envelope Power	±2.0 %	R	$\sqrt{3}$	1	1	±1.2 %	±1.2 %
System Detection Limit	±1.0 %	R	$\sqrt{3}$	1	1	±0.6 %	±0.6 %
Readout Electronics	±0.3 %	N	1	1	1	±0.3 %	±0.3 %
Response Time	±0.8 %	R	$\sqrt{3}$	1	1	±0.5 %	±0.5 %
Integration Time	±2.6 %	R	$\sqrt{3}$	1	1	±1.5 %	±1.5 %
RF Ambient Conditions	±3.0 %	R	$\sqrt{3}$	1	1	±1.7 %	±1.7 %
RF Reflections	±12.0 %	R	$\sqrt{3}$	1	1	±6.9 %	±6.9 %
Probe Positioner	±1.2 %	R	$\sqrt{3}$	1	0.67	±0.7 %	±0.5 %
Probe Positioning	±4.7 %	R	$\sqrt{3}$	1	0.67	±2.7 %	±1.8 %
Extrap. and Interpolation	±1.0 %	R	$\sqrt{3}$	1	1	±0.6 %	±0.6 %
Test Sample Related							
Device Positioning Vertical	±4.7 %	R	$\sqrt{3}$	1	0.67	±2.7 %	±1.8 %
Device Positioning Lateral	±1.0 %	R	$\sqrt{3}$	1	1	±0.6 %	±0.6 %
Device Holder and Phantom	±2.4 %	R	$\sqrt{3}$	1	1	±1.4 %	±1.4 %
Power Drift	±5.0 %	R	$\sqrt{3}$	1	1	±2.9 %	±2.9 %
Phantom and Setup Related							
Phantom Thickness	±2.4 %	R	$\sqrt{3}$	1	0.67	±1.4 %	±0.9 %
Combined Std. Uncertainty						±14.7 %	±10.9 %
Expanded Std. Uncertainty on Power						±29.4 %	±21.8 %
Expanded Std. Uncertainty on Field						±14.7 %	±10.9 %

Table 9. Worst-Case uncertainty budget for HAC free field assessment according to ANSI C63.19.

[1] The budget is valid for the frequency range 800 MHz - 3 GHz and represents a worst-case analysis.

RTS RIM Testing Services	Document Hearing Aid Compatibility RF Emissions Test Report for the BlackBerry® Smartphone model RCF71CW		Page 19(19)
	Author Data Daoud Attayi	Dates of Test Mar 20-24, 2009	Report No RTS-1528-0903-38

7.1 Site-Specific Uncertainty

RF Reflections

Section 4.2 of ANSI C63.19 requires that any RF reflecting objects are a minimum distance of 2 wavelengths away from the WD under test. For this WD, the longest wavelength occurs when the WD is transmitting at 824.7MHz. The wavelength is:

$$\lambda = \frac{c}{f} = \frac{3 \cdot 10^8 \text{ m/s}}{824.7 \text{ MHz}} = 0.364 \text{ m}$$

Therefore, 2 wavelengths result in a distance of 0.73m. Tests are performed in an RF shielded chamber. The distance to the nearest wall is > 1m and the distance to the robot's safety guardrail is ~1.0m, both satisfying the requirement. In addition, RF absorbing cones are placed at the base of the robot to further reduce reflections. The HAC phantom arch is made of low dielectric constant plastic and should not be a source of reflections.

Environmental Conditions

During measurements, the temperature of the test lab was kept between 21°C and 25°C and relative humidity was maintained between 20% and 55%.

Ambient Noise

ANSI C63.19 standard requires RF ambient noise to be at least 20dB below the measurement level. Scans of RF ambient noise fields were previously performed for verification and was determined to be < 20 dB than the measured WD RF field levels.