

PRD-XXXXX-XXX

RBB10BW

BlackBerry XXXX

IC 2503A-RBB10BW

FCC ID L6ARBB10BW

Patents: www.rim.net/patents

IMEI: 123456789012345

C E0168

DMY

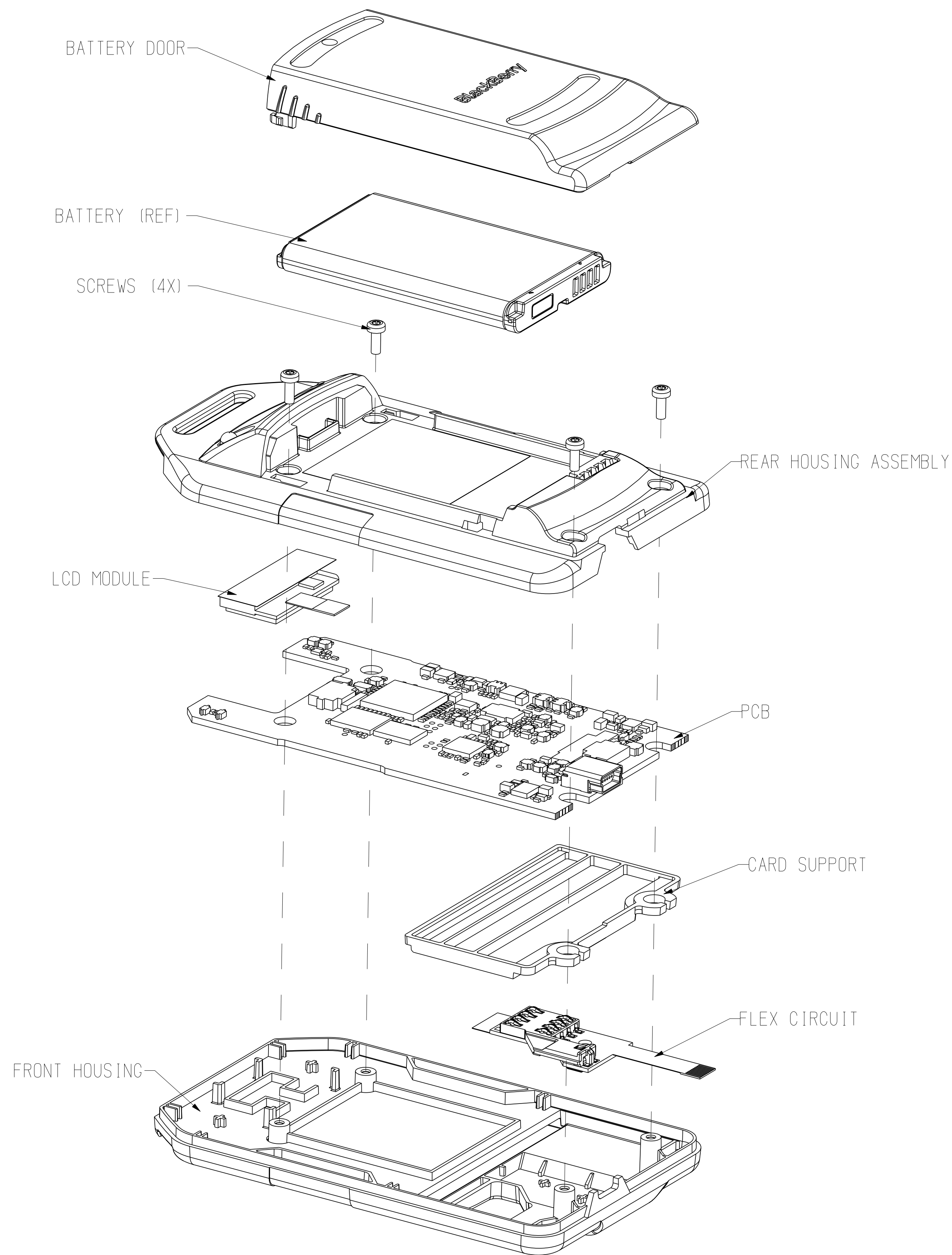


I.T.E.
US LISTED
89NN



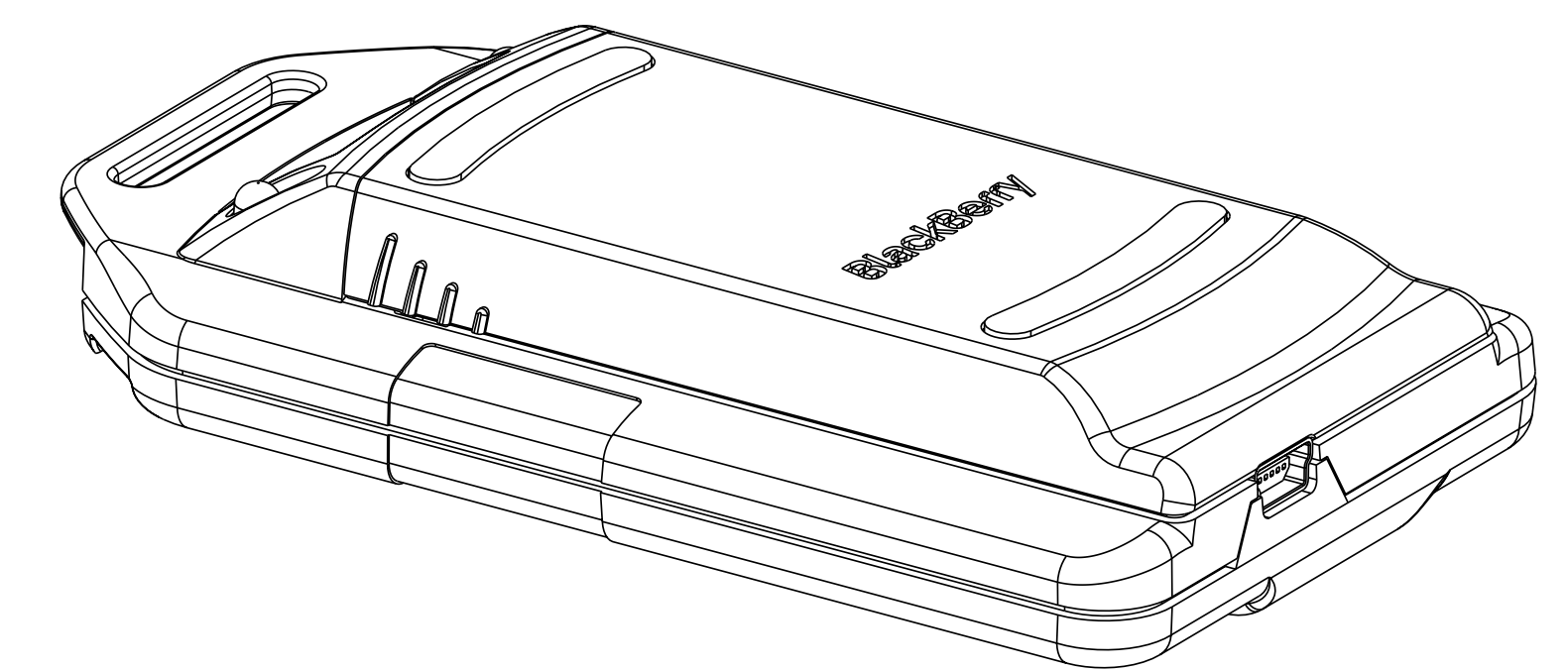
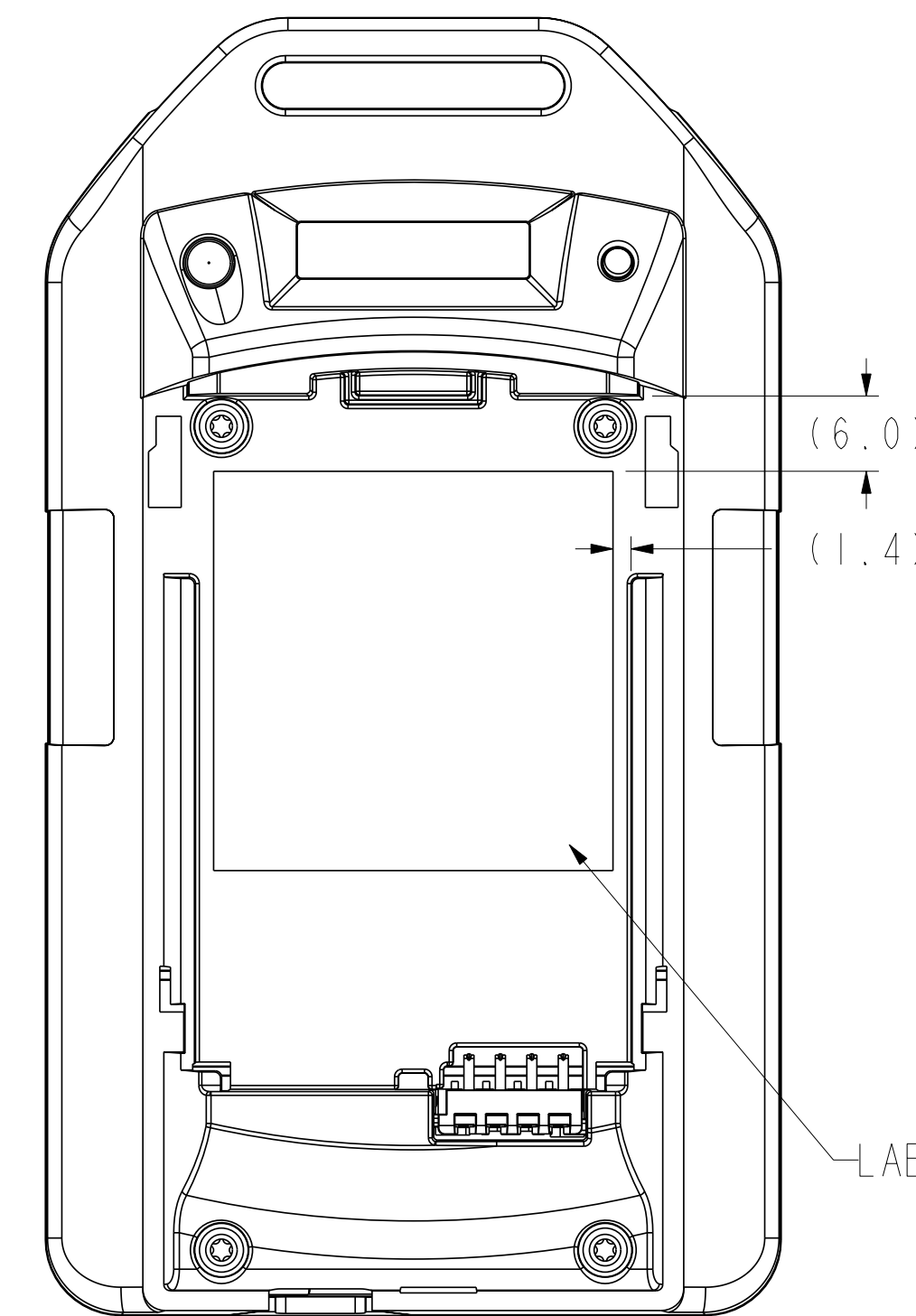
PIN: ABCDEFAB

Made In XXXXXX



ASSEMBLY:

1. FLEX CIRCUIT:
ALIGN FLEX AS SHOWN AND INSERT INTO TOP HOUSING BY EDGING FLAT STIFF END FIRST UNDER BUMP IN FRONT HOUSING. USE THE TWO CROSSES FOR LOCATION AND ENSURE IT LIES FLAT AND IS ADHERED FIRMLY.
2. CARD SUPPORT:
ALIGN CARD SUPPORT AS SHOWN AND INSERT CARD SUPPORT OVER BOSSES IN TOP HOUSING ENSURING IT IS FULLY SEATED.
3. PCB:
PLACE PCB INTO TOP HOUSING, LOCATING ON THE FOUR BOSSES IN TOP HOUSING ENSURING IT LIES COMPLETELY FLAT. BENT FLEX CIRCUIT TRACE INTO CONNECTOR ENSURING IT IS FULLY SEATED THEN SNAP CONNECTOR DOOR CLOSED.
4. LCD:
REMOVE PROTECTIVE OVERLAY, ALIGN LCD AS SHOWN AND INSERT TRACE INTO CONNECTOR. ENSURE CONNECTOR IS FULLY SEATED AND LCD SITS CENTRED AND FLAT IN FRONT HOUSING. SNAP CONNECTOR DOOR CLOSED.
5. REAR HOUSING ASSEMBLY:
ALIGN REAR HOUSING ASSEMBLY AND PRESS TOGETHER WITH FRONT HOUSING. INSERT SCREWS IN THROUGH REAR HOUSING AND TIGHTEN TO 1.3 IN-LB OF TORQUE.
6. BATTERY DOOR:
ALIGN BATTERY DOOR AS SHOWN AND DROP INTO HOLES IN REAR HOUSING. SLIDE IT FORWARD TOWARDS LCD WINDOW UNTIL IT CLIPS TO PLACE.



1A	ECN-05294	PREPRODUCTION RELEASE AND MODIFIED DRAWING VIEWS	MS	03/08/05
B		INITIAL RELEASE		5-20-05
A	ECN-00	INITIAL RELEASE		5-11-05
REV	ECN	CHANGES	DFTS	DATE
D				
DIMENSIONS ARE IN: mm				
UNLESS OTHERWISE SPECIFIED TOLERANCES ARE: LINEAR: ± .1 ANGULAR: ± .5 SURFACE FINISH				
INTERPRET DIMENSIONS AND TOLERANCES AS PER ANSI Y14.5M-1994				
APPROVALS	NAME	DATE	THE CONTENT OF THIS DOCUMENT IS RIM INTELLECTUAL PROPERTY. IT IS CONFIDENTIAL AND IS NOT TO BE DISCLOSED, REPRODUCED OR USED EXCEPT WITH THE WRITTEN PERMISSION OF RIM. ©2004 RIM. ALL RIGHTS RESERVED.	
DESIGNED BY			PROJECT: Unassigned	
DRAWN BY			NAME: ASSEMBLY COMPLETE FERMION	
CHECKED BY			CAD MODEL FILE: ASSEMBLY COMPLETE FERMION	
ENG APPR'D			SCALE: 2,000	
MFG APPR'D			SHEET 1 OF 1	
SUPERS'D			REV	
FILEPATH	Unassigned		ASY-09858-001 1A	