

PRD-XXXXX-XXX RAV20CW

BlackBerry XXXXX

IC: 2503A-RAV20CW

FCC ID: L6ARAV20CW

BT MAC: XX XX XX XX XX XX

Patents: www.rim.net/patents

IMEI:123456789012345

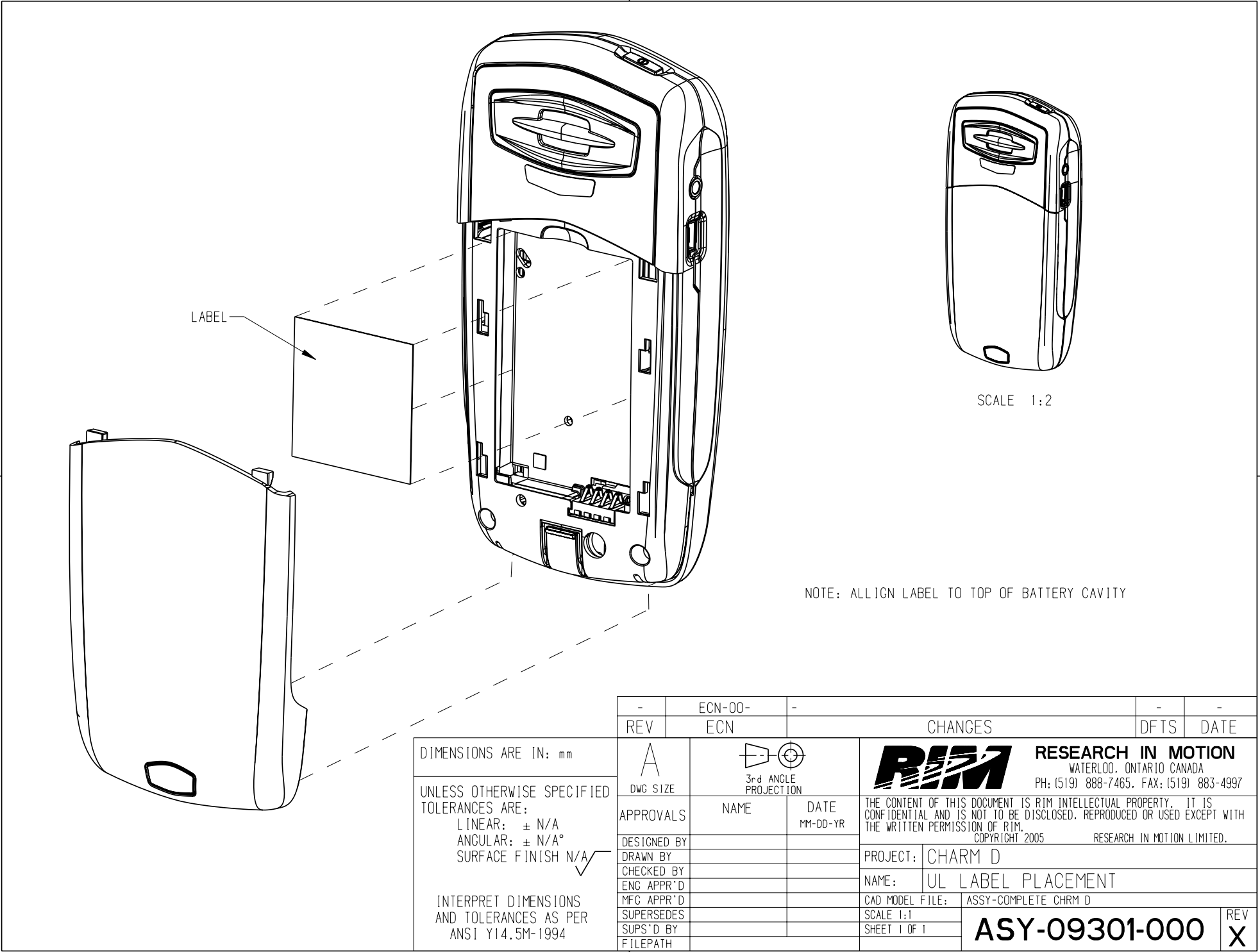


I.T.E.
US LISTED
89NN

dmy



PIN: ABCDEFAB
Made In XXXXXX



LABEL

SCALE 1:2

NOTE: ALLIGN LABEL TO TOP OF BATTERY CAVITY

DIMENSIONS ARE IN: mm

UNLESS OTHERWISE SPECIFIED TOLERANCES ARE:
 LINEAR: ± N/A
 ANGULAR: ± N/A°
 SURFACE FINISH N/A

INTERPRET DIMENSIONS AND TOLERANCES AS PER ANSI Y14.5M-1994

-	ECN-00-	-	-	-
REV	ECN	CHANGES		DFTS DATE
A				RESEARCH IN MOTION WATERLOO, ONTARIO CANADA PH: (519) 888-7465. FAX: (519) 883-4997
APPROVALS	NAME	DATE MM-DD-YR	THE CONTENT OF THIS DOCUMENT IS RIM INTELLECTUAL PROPERTY. IT IS CONFIDENTIAL AND IS NOT TO BE DISCLOSED, REPRODUCED OR USED EXCEPT WITH THE WRITTEN PERMISSION OF RIM. COPYRIGHT 2005 RESEARCH IN MOTION LIMITED.	
DESIGNED BY			PROJECT:	CHARM D
DRAWN BY			NAME:	UL LABEL PLACEMENT
CHECKED BY			CAD MODEL FILE:	ASSY-COMplete CHRM D
ENG APPR'D			SCALE 1:1	
MFG APPR'D			SHEET 1 OF 1	
SUPERSEDES			ASY-09301-000	
SUPS'D BY				REV X
FILEPATH				