

PRD-XXXX-XXX RAS10WW
BlackBerry 7270

IC: 2503A-RAS10WW dmy

FCC ID: L6ARAS10WW

PIN: ABCDEFAB

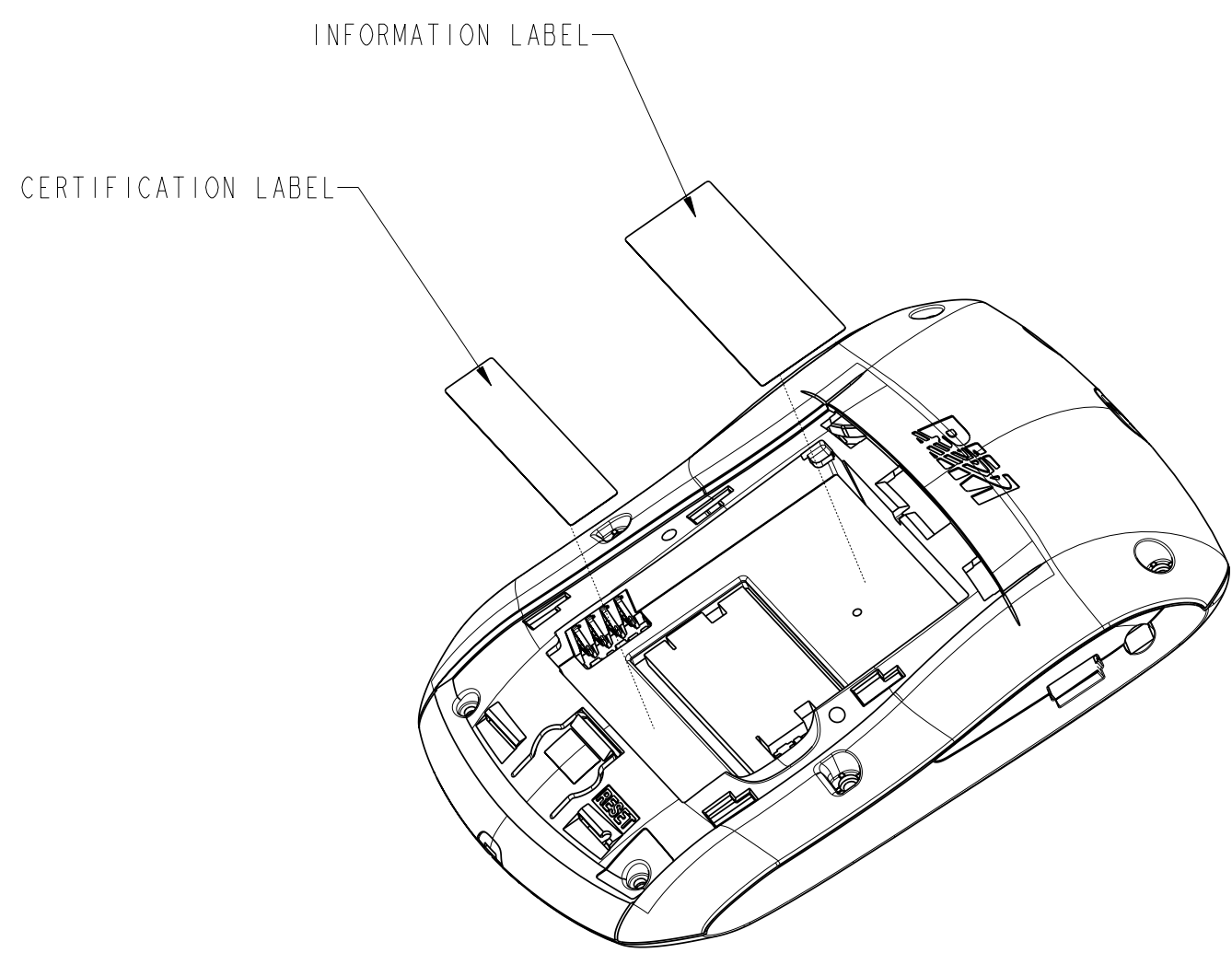
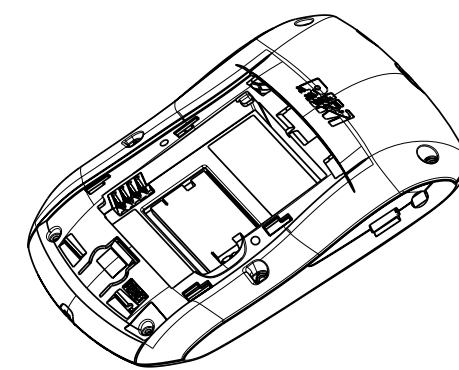
Patents: www.rim.net/patents

MAC ADDRESS: A1B2C3D4E5F6



Made In Canada





A	ECN-00XXX	NEW	DM	07-02-02
REV	ECN	CHANGES	DFTS	DATE

DIMENSIONS ARE IN: mm

UNLESS OTHERWISE SPECIFIED TOLERANCES ARE:
 LINEAR: ± N/A
 ANGULAR: ± N/A°
 SURFACE FINISH N/A ✓

INTERPRET DIMENSIONS AND TOLERANCES AS PER ANSI Y14.5M-1994

B		
DWG SIZE	3rd ANGLE PROJECTION	
APPROVALS	NAME	DATE
DESIGNED BY	J.HOLMES	03-01-02
DRAWN BY	D.MARX	07-02-02
CHECKED BY	XXX	MM-DD-YR
ENG APPR'D	XXX	MM-DD-YR
MFG APPR'D	XXX	MM-DD-YR
SUPERSEDES	XXX	MM-DD-YR
SUPS'D BY	XXX	MM-DD-YR
FILEPATH	Unassigned	

RIM **RESEARCH IN MOTION**
 WATERLOO, ONTARIO CANADA
 PH: (519) 888-7465. FAX: (519) 888-6906

THE CONTENT OF THIS DOCUMENT IS RIM INTELLECTUAL PROPERTY. IT IS CONFIDENTIAL AND IS NOT TO BE DISCLOSED, REPRODUCED OR USED EXCEPT WITH THE WRITTEN PERMISSION OF RIM.
 COPYRIGHT 2002 RESEARCH IN MOTION LIMITED.

PROJECT: Unassigned
 NAME: WORKASSY-MARCH
 CAD MODEL FILE: WORKASSY-MARCH
 SCALE 1:1
 SHEET 1 OF 1

Unassigned **REV A**