


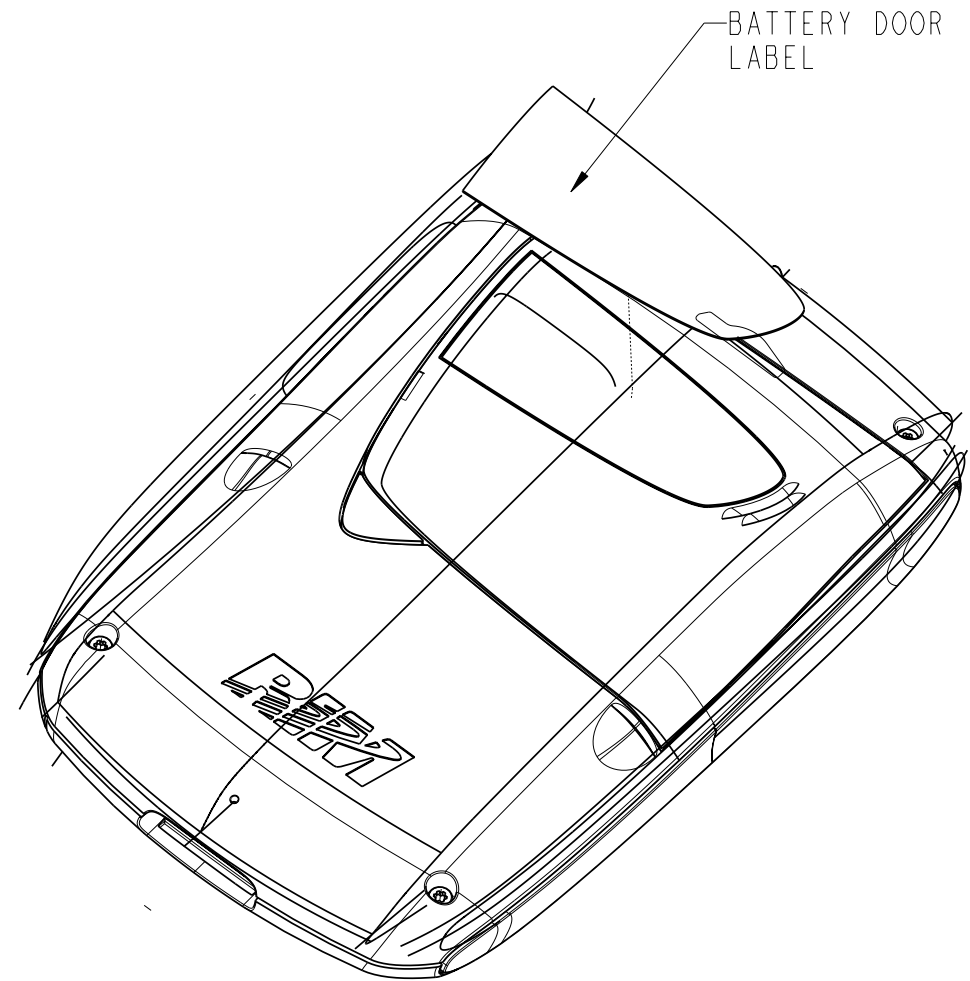
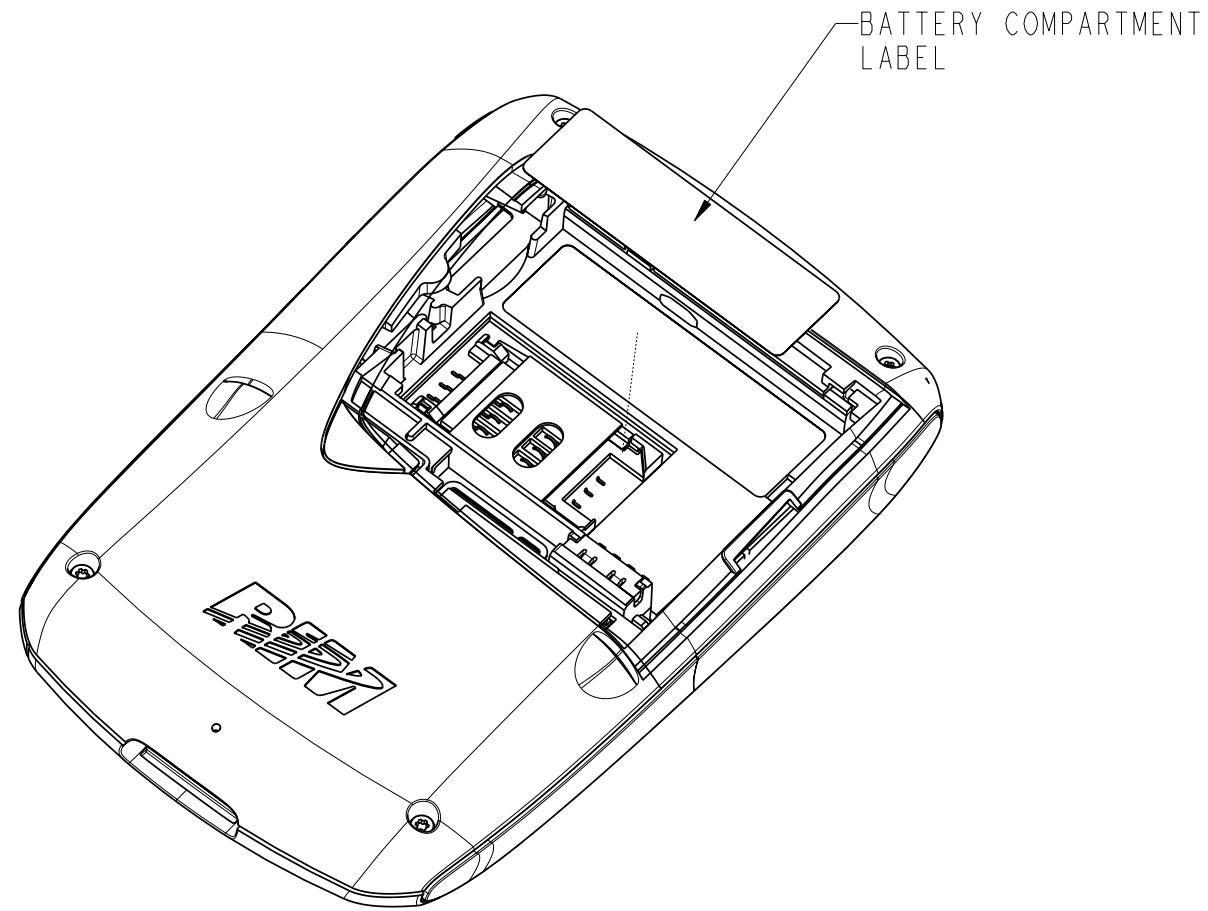
PIN:ABCDEFAB	FCC ID: L6ARAN21CN	RAN21CN
ESN:00000123456	IC: 2503A-RAN21CN	Made in Canada
	Patents: www.rim.net/patents	123


Notes:  
Label is printed by RIM Manufacturing facility.

1	ECN02650	Initial Release	IH	07/08/03
REV	ECN	CHANGES	DFTS	DATE
Software: CorelDRAW8.0 Colours: PantoneProcessBlack		 <b>RESEARCH IN MOTION</b> WATERLOO, ONTARIO, CANADA PH: (519) 888-7465 FAX: (519) 888-6906		
APPROVALS		THE CONTENT OF THIS DOCUMENT IS RIM INTELLECTUAL PROPERTY. IT IS CONFIDENTIAL AND IS NOT TO BE DISCLOSED, REPRODUCED OR USED EXCEPT WITH THE WRITTEN PERMISSION OF RIM. COPYRIGHT 2001 RESEARCH IN MOTION LIMITED.		
	NAME	DATE		
DRAWN BY	IH	07/08/03		
CHK'D BY				
ENG			PROJECT:	
MFG			NAME: InfoLabel, BlackBerry 7750	
MKTG			SCALE N.T.S.	
LEGAL			SHEET 1 OF 1	
<b>SUPERSEDES</b>			ART-04443-021	
SUP'D BY			REV 1	
FILEPATH:				



DIMENSIONS ARE IN: mm

UNLESS OTHERWISE SPECIFIED TOLERANCES ARE:  
 LINEAR: ± N/A  
 ANGULAR: ± N/A°  
 SURFACE FINISH N/A ✓

INTERPRET DIMENSIONS AND TOLERANCES AS PER ANSI Y14.5M-1994

A	ECN-00XXX	NEW	DM	11-23-01
REV	ECN	CHANGES	DFTS	DATE
B				
DWG SIZE			WATERLOO, ONTARIO CANADA PH: (519) 888-7465. FAX: (519) 888-6906	
APPROVALS	NAME	DATE	THE CONTENT OF THIS DOCUMENT IS RIM INTELLECTUAL PROPERTY. IT IS CONFIDENTIAL AND IS NOT TO BE DISCLOSED, REPRODUCED OR USED EXCEPT WITH THE WRITTEN PERMISSION OF RIM. COPYRIGHT 2001 RESEARCH IN MOTION LIMITED.	
DESIGNED BY	R.PHILLIPS	11-23-01	PROJECT:	Unassigned
DRAWN BY	D.MARX	11-23-01	NAME:	T2-DEVELOPMENT
CHECKED BY	R.PHILLIPS	11-23-01	CAD MODEL FILE:	T2-DEVELOPMENT
ENG APPR'D	XXX	MM-DD-YR	SCALE	1:1
MFG APPR'D	XXX	MM-DD-YR	SHEET	1 OF 1
SUPERSEDES	XXX	MM-DD-YR	<b>ASY-02970-001</b>	
SUPS'D BY	XXX	MM-DD-YR		
FILEPATH	Unassigned		REV	<b>A</b>