



16MB

SN:000/00/123456 PIN:ABCDEFAB

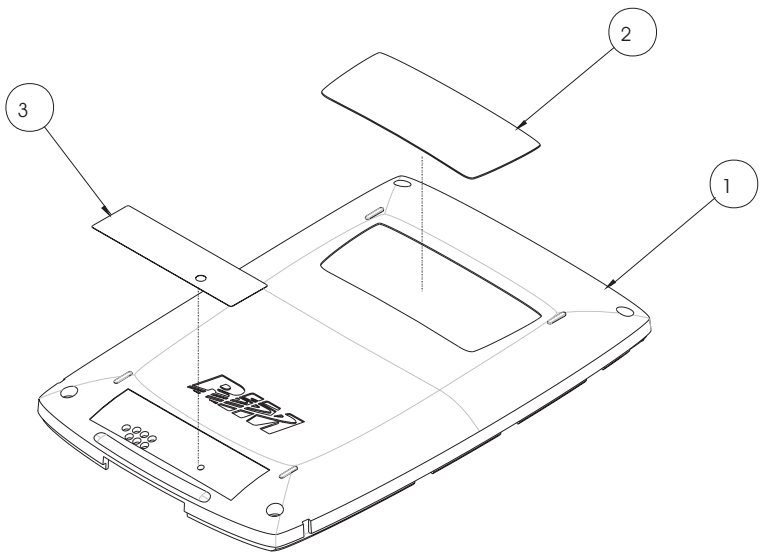
CAN: 2503A-RAM10MN

FCC ID:1.6ARAM10MN

MODEL:RAM10MN

Made In Canada

Patents Pending



NOTES:

1. LOCATE THE SERVICE PROVIDER LABEL (ITEM 2) IN THE BOTTOM HOUSING RECESS (ITEM 1) AS SHOWN. ADHERE TO BOTTOM HOUSING ENSURING THE LABEL IS CENTERED IN THE RECESS.
2. ALIGN THE INFORMATION LABEL HOLE (ITEM 3) WITH THE HOLE IN THE BOTTOM HOUSING (ITEM 1) AS SHOWN. ADHERE TO BOTTOM HOUSING ENSURING THE LABEL IS CENTERED IN THE RECESS.

DIMENSIONS ARE IN: mm

UNLESS OTHERWISE SPECIFIED

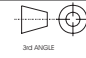

TOLERANCES ARE:

LINEAR: ± N/A

ANGULAR: ± N/A °

SURFACE FINISH N/A

INTERPRET DIMENSIONS AND TOLERANCES AS PER ANSI Y14.5M-1994

| | | | | | |
|-------------|--------|-----|---|------|----------|
| A | ECN-00 | XXX | NEW | PS | 10-21-99 |
| REV | ECN | | CHANGES | DFTS | DATE |
| B | | |  | | |
| DWS SIZE | | |  RESEARCH IN MOTION WATERLOO, ONTARIO CANADA PH:(519) 888-7465, FAX:(519) 888-6906 | | |
| APPROVALS | | | THE CONTENT OF THIS DOCUMENT IS RIM INTELLECTUAL PROPERTY. IT IS CONFIDENTIAL AND IS NOT TO BE DISCLOSED, REPRODUCED OR USED EXCEPT WITH THE WRITTEN PERMISSION OF RIM. ©COPYRIGHT 1999 RESEARCH IN MOTION LIMITED. | | |
| DESIGNED BY | | | PROJECT: Prion | | |
| DRAWN BY | | | NAME: ASSY-FCC_LABELS | | |
| CHECKED BY | | | CAD MODEL FILE: ASSY-FCC_LABELS | | |
| ENG APPRD | | | SCALE: 1:1 | | |
| MFG APPRD | | | SHEET 1 OF 1 | | |
| SUPERSEDES | | | <div style="text-align: right; font-size: 24pt; font-weight: bold;">ASY-1000-FCC</div> | | |
| SUSPD BY | | | | | |
| PLERWH | | | REV A | | |