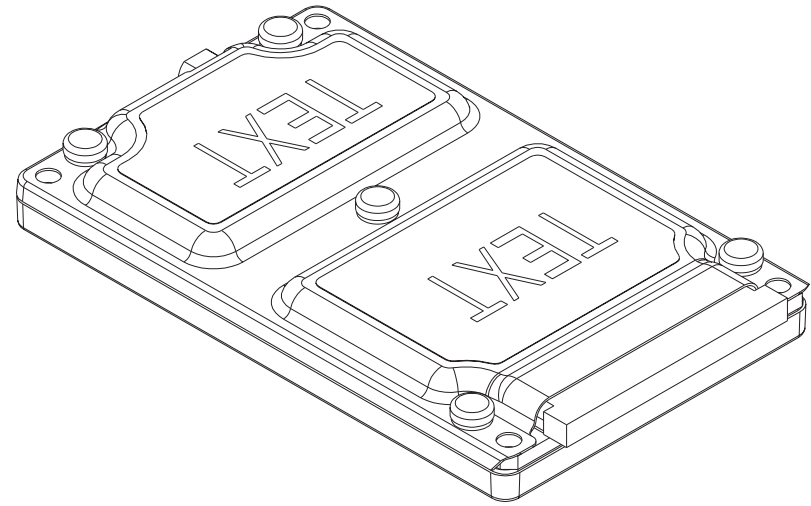
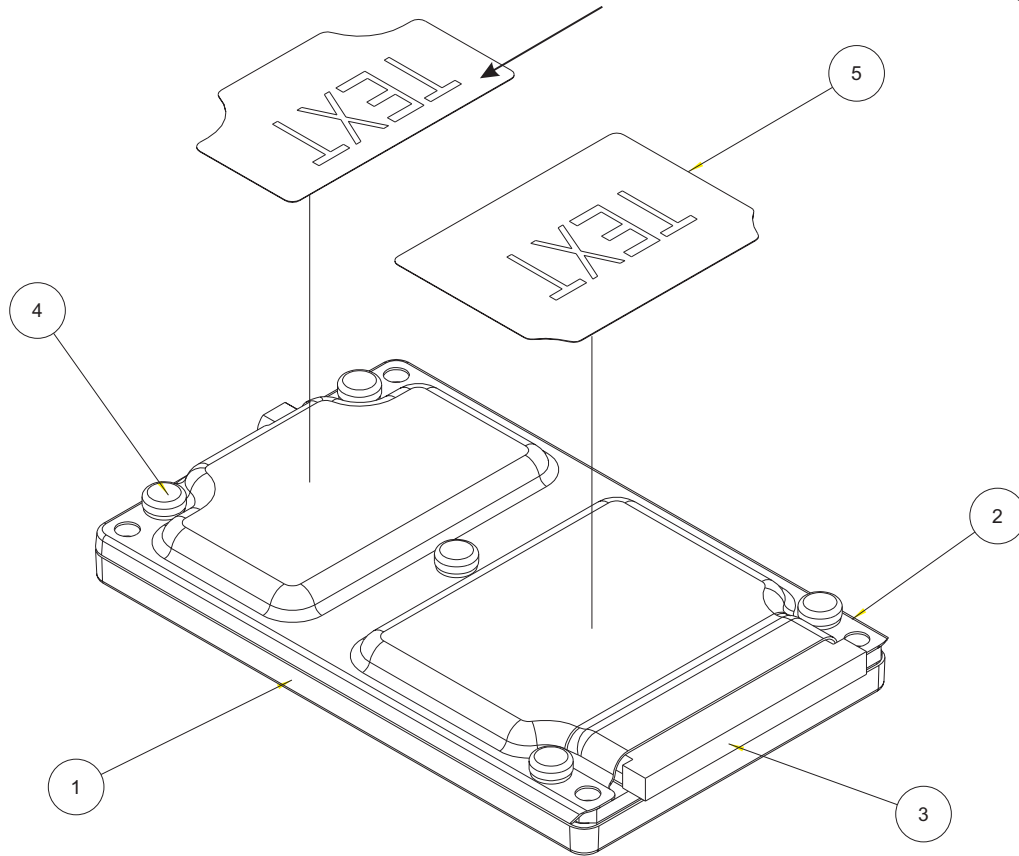


PARTS LIST			
ITEM	PART NO.	DESCRIPTION	QTY
1	ASY-02121-001	ASSY - SHIELD, OEM R902	1
2	POP-01947-001	ASSY - PCB, OEM R902	1
3	HDW-02122-001	COVER - SHEETMETAL, OEM R902	1
4	ASY-02290-001	ASSY - CLAMPING SCREW AND WASHER, OEM R902	5
5	MAT-02190-001	LABELS - OEM, R902	1

This label contains the FCC ID.
To view the details of this label,
refer to the artwork on page 4.



NOTES:

1. LOCATE PCB ASSEMBLY (ITEM 2) ON SHIELD ASSEMBLY (ITEM 1)
2. LOCATE COVER (ITEM 3) TO PREVIOUS ASSEMBLY SUCH THAT THE PCB ASSEMBLY IS SANDWICHED BETWEEN THE SHIELD AND COVER.
3. INSERT THE SCREW AND WASHER ASSEMBLIES (ITEM 4) AS SHOWN AND SECURE THESE TO SHIELD ASSEMBLY
3. ATTACHED THE FCC LABELS TO OUSIDE OF ASSEMBLY AS SHOWN.

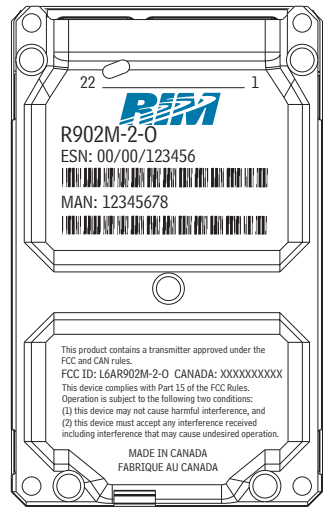
DIMENSIONS ARE IN: mm

UNLESS OTHERWISE SPECIFIED
TOLERANCES ARE:
LINEAR: ± M/A
ANGULAR: ± NA °
SURFACE FINISH: NA √

INTERPRET DIMENSIONS AND TOLERANCES AS PER ANSI Y14.5M-1994

REV	ECN	INITIAL RELEASE	PS	02-10-99
CHANGES			DFTS	DATE
C				
APPROVALS		RESEARCH IN MOTION WATERLOO, ONTARIO CANADA PH:(519) 888-7425, FAX:(519) 888-6906		
DESIGNED BY: R PHILLIPS		THE CONTENT OF THIS DOCUMENT IS RIM INTELLECTUAL PROPERTY. IT IS CONFIDENTIAL AND NOT TO BE DISCLOSED, REPRODUCED OR USED EXCEPT WITH THE WRITTEN PERMISSION OF RIM.		
DRAWN BY: P SIMCOES		COPYRIGHT 1999 RESEARCH IN MOTION LIMITED.		
CHECKED BY: P SIMCOES		PROJECT: TADPOLE		
ENG APPRD:		NAME: ASSEMBLY - R902M-2-O		
MFG APPRD: XXX		CAD MODEL FILE: ASSEMBLY-OEM FCC		
SUPERSEDES: XXX		SCALE: 3:1		
SUPD BY: XXX		SHEET: 1 OF 1		
FILEPATH: SUB/PCBEM		ASY-02102-001		
				REV 1

PARTS LIST			
ITEM	PART NO.	DESCRIPTION	QTY
1	ASY-02121-001	ASSY - SHIELD, OEM R902	1
2	POP-01947-001	ASSY - PCB, OEM R902	1
3	HDW-02122-001	COVER - SHEETMETAL, OEM R902	1
4	ASY-02290-001	ASSY - CLAMPING SCREW AND WASHER, OEM R902	5
5	MAT-02190-001	LABELS - OEM, R902	1



DIMENSIONS ARE IN mm
 UNLESS OTHERWISE SPECIFIED
 TOLERANCES ARE:
 LINEAR: ± 0.150
 ANGULAR: ± 0.5
 SURFACE FINISH: NA
 INTERPRET DIMENSIONS AND TOLERANCES AS PER ASST Y14.5M-1994

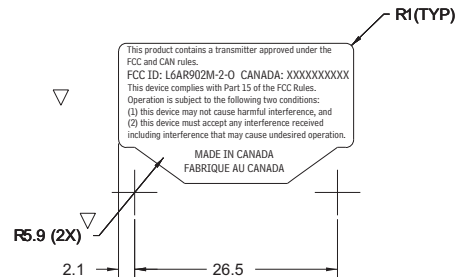
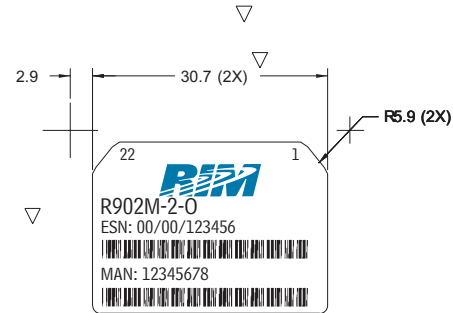
REV	ECN	INITIAL RELEASE	CHANGES	PS	DATE
A	ECN: 0000X	INITIAL RELEASE		PS	02-10-09
C					

DESIGNED BY: R.PHILLIPS	DATE: 01-16-09	PROJECT: TADPOLE	ASSEMBLY: R902M-2-0
DRAWN BY: P.SMOSES	DATE: 02-10-09	PROJECT: TADPOLE	ASSEMBLY: R902M-2-0
CHECKED BY: P.SMOSES	DATE: 02-11-09	PROJECT: TADPOLE	ASSEMBLY: R902M-2-0
ENG APPR'D: XXX	MAN CO-VR: CAD MODEL FILE	ASSEMBLY: OEM, R902M-2-0	REV: A
SUPERSEDES: XXX	M-DO-VR: SCALE: 1:1	ASSEMBLY: R902M-2-0	REV: A
DRAWN BY: XXX	MAN CO-VR: SHEET: 1 OF 1	ASSEMBLY: R902M-2-0	REV: A
FILED IN: R902M		ASSEMBLY: R902M-2-0	REV: A

RIM RESEARCH IN MOTION
 WATERLOO, ONTARIO CANADA
 PH: (519) 888-7465, FAX: (519) 888-6906

ASY-02102-001

PART NO.	REV	ECN	DESCRIPTION	ARTWORK NO.	REV	ECN
MAT-02190-001	A	ECN-00XXX	LABELS - R902M-2-O	ART-02190-001	A	ECN-00XXX



NOTES:

- MATERIAL: 3M 7816 THERMAL-PRINTABLE POLYESTER FILM
FILM THICKNESS: 2 mil FACE STOCK (0.051mm/.002)
COLOUR: N/A
- ADHESIVE: PERMANENT PRESSURE-SENSITIVE ACRYLIC
THICKNESS: 0.7-1.0 mils 0.018-0.025mm/(.0007-.001)
RELEASE LINER: SILICONE TREATED PAPER
- PRINTING PROCESS: SILK SCREEN
- ARTWORK: OBTAIN FROM RIM TECHNICAL PUBLICATIONS DEPT.
REFERENCE RIM PART NO. ART-02190-001, LATEST REVISION
- A) PART TO BE DIE CUT WITH RELEASE LINER AND SUPPLIED IN ROLL FORM.
- PACKAGING:
ROLL FORM:
ROLLS TO BE INDIVIDUALLY WRAPPED IN PROTECTIVE PACKAGING
ROLLS TO DISPLAY RIM PART NUMBER AND NUMBER OF LABELS/ROLL
ROLL:
- CORE SIZE: 76.2mm (3)
ROLL SIZE: 203.2mm (8) MAX.
LABELS TO BE OUTSIDE WOUND, HEAD FIRST
- PART TOOLING (DIE) TO BE MANUFACTURED USING GEOMETRY FROM Pro/ENGINEER
FILE SUPPLIED BY RIM MECHANICAL ENGINEERING DEPT.
- DIMENSIONS WITH ▽DENOTE CRITICAL INSPECTION DIMENSIONS

DIMENSIONS ARE IN: mm

UNLESS OTHERWISE SPECIFIED

TOLERANCES ARE:

LINEAR: ± 0.2

ANGULAR: ± 1°

SURFACE FINISH 1.6

INTERPRET DIMENSIONS AND TOLERANCES AS PER ANSI Y14.5M-1994

REV	ECN	INITIAL RELEASE	CHANGES	DFTS	DATE
A	ECN-00XXX				02-05-99
B					
DESIGNED BY: PSMOES		DATE: 02-05-99		PROJECT: TADPOLE	
DRAWN BY: PSMOES		DATE: 02-05-99		NAME: LABELS - R902M-2-O	
CHECKED BY: PSMOES		DATE: 02-08-99		MFG APPROD: XXX	
ENG APPRD:		MM-DD-YR		CAD MODEL FILE: LABEL-OEM_R902M_FCC	
SUPERSEDES: XXX		MM-DD-YR		SCALE: 2:1	
SUPERD BY: XXX		MM-DD-YR		SHEET: 1 OF 1	
FILEPATH: \\LNN\OEM				MAT-02190-000	
					REV A

22

1



R902M-2-0

ESN: 00/00/123456



MAN: 12345678



This product contains a transmitter approved under the FCC and CAN rules.

FCC ID: L6AR902M-2-0 CANADA: XXXXXXXXXX

This device complies with Part 15 of the FCC Rules.

Operation is subject to the following two conditions:


(1) this device may not cause harmful interference, and

(2) this device must accept any interference received including interference that may cause undesired operation.

MADE IN CANADA
FABRIQUE AU CANADA

Notes:

- RIM logo is Pantone Spot Color 307U
- positional tolerance of $\pm \frac{1}{64}$ (± 0.4 mm)
- color quality must be 100% for RIM logo
- RIM logo must be centered horizontally

A	ECN-0XXX	INITIAL RELEASE	HD	02/09/99
REV	ECN	CHANGES	DFTS	DATE
Software: CorelDraw 7.0 Colors: Pantone Spot Color 307U		 RESEARCH IN MOTION WATERLOO, ONTARIO, CANADA PH:(519) 888-7465 FAX:(519) 888-6906		
APPROVALS		THE CONTENT OF THIS DOCUMENT IS RIM INTELLECTUAL PROPERTY. IT IS CONFIDENTIAL AND IS NOT TO BE DISCLOSED, REPRODUCED OR USED EXCEPT WITH THE WRITTEN PERMISSION OF RIM. COPYRIGHT 1999 RESEARCH IN MOTION LIMITED.		
DRAWN BY	NAME	DATE		
CHK'D BY	Heather Dwyer	02/09/99		
ENG			PROJECT:	TADPOLE
MFG			NAME:	LABELS - OEM
MKTG				
LEGAL				
SUPERSEDES			SCALE 2.5 : 1	ART-02190-001
SUPSD BY			SHEET 1 OF 1	
FILEPATH: ILINK OEM				REV A