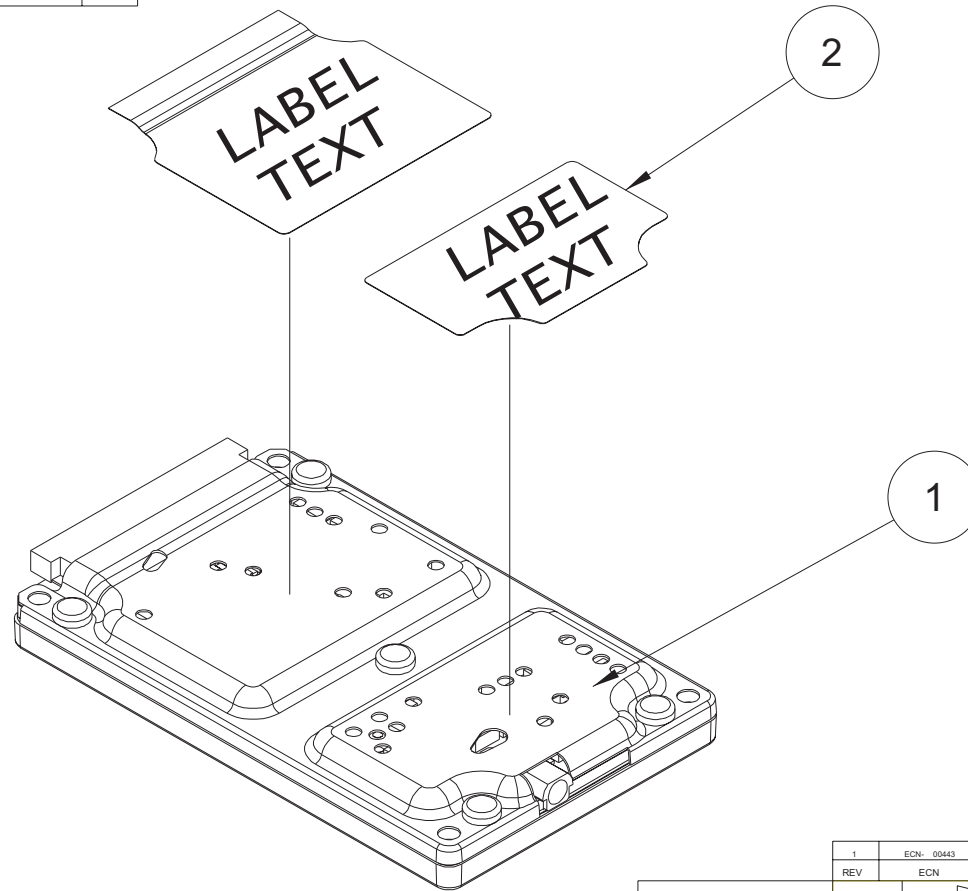


PARTS LIST			
ITEM	PART NO.	DESCRIPTION	TY
1	ASY-02102-001	ASSEMBLY - OEM RIM 802D	1
2	MAT-02306-001	LABEL - OEM RIM 802D PRINTED	1

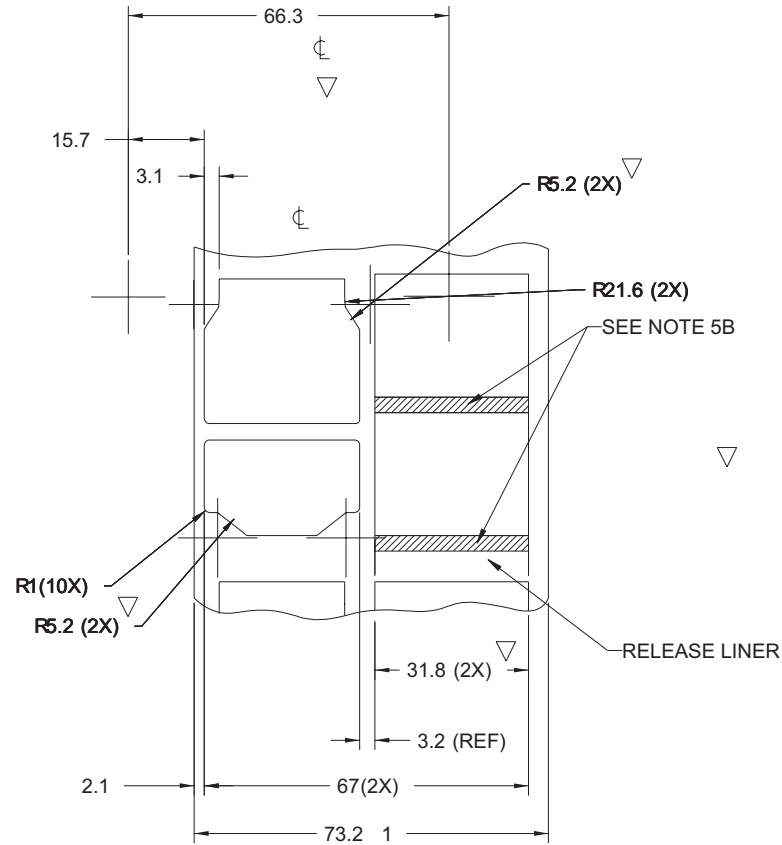


NOTES:

1. ATTACH LABELS (ITEM 2) TO OUTSIDE OF OEM RIM 802D ASSEMBLY (ITEM 1) AS SHOWN

1	ECN- 00443	INITIAL RELEASE	PS	02-17-99																																										
REV	ECN	CHANGES	DFTS	DATE																																										
DIMENSIONS ARE IN: mm		<table border="1"> <tr> <td rowspan="2"><b>B</b></td> <td rowspan="2"> </td> <td rowspan="2"> </td> <td colspan="2"> <b>RESEARCH IN MOTION</b>          WATERLOO, ONTARIO CANADA          PH:(519) 888-7455, FAX:(519) 888-6906       </td> </tr> <tr> <td colspan="2"> <small>THE CONTENT OF THIS DOCUMENT IS RIM INTELLECTUAL PROPERTY. IT IS CONFIDENTIAL AND IS NOT TO BE DISCLOSED, REPRODUCED OR USED EXCEPT WITH THE WRITTEN PERMISSION OF RIM. COPYRIGHT 1999 RESEARCH IN MOTION LIMITED.</small> </td> </tr> </table>			<b>B</b>			<b>RESEARCH IN MOTION</b> WATERLOO, ONTARIO CANADA PH:(519) 888-7455, FAX:(519) 888-6906		<small>THE CONTENT OF THIS DOCUMENT IS RIM INTELLECTUAL PROPERTY. IT IS CONFIDENTIAL AND IS NOT TO BE DISCLOSED, REPRODUCED OR USED EXCEPT WITH THE WRITTEN PERMISSION OF RIM. COPYRIGHT 1999 RESEARCH IN MOTION LIMITED.</small>																																				
<b>B</b>			<b>RESEARCH IN MOTION</b> WATERLOO, ONTARIO CANADA PH:(519) 888-7455, FAX:(519) 888-6906																																											
			<small>THE CONTENT OF THIS DOCUMENT IS RIM INTELLECTUAL PROPERTY. IT IS CONFIDENTIAL AND IS NOT TO BE DISCLOSED, REPRODUCED OR USED EXCEPT WITH THE WRITTEN PERMISSION OF RIM. COPYRIGHT 1999 RESEARCH IN MOTION LIMITED.</small>																																											
UNLESS OTHERWISE SPECIFIED		<table border="1"> <tr> <th colspan="2">APPROVALS</th> <th>PROJECT:</th> <th>TADPOLE</th> </tr> <tr> <th>NAME</th> <th>DATE</th> <th>NAME:</th> <th>OEM - RIM 802D</th> </tr> <tr> <td>DESIGNED BY: R.PHILLIPS</td> <td>02-17-99</td> <td></td> <td></td> </tr> <tr> <td>DRAWN BY: P.SMOLES</td> <td>02-17-99</td> <td></td> <td></td> </tr> <tr> <td>CHECKED BY: R.PHILLIPS</td> <td>02-17-99</td> <td></td> <td></td> </tr> <tr> <td>ENG APPRD</td> <td></td> <td></td> <td></td> </tr> <tr> <td>MFG APPRD</td> <td>XXX</td> <td>MM-DD-YR</td> <td>CAD MODEL FILE: OEM-RIM 802D</td> </tr> <tr> <td>SUPERSEDES</td> <td>XXX</td> <td>MM-DD-YR</td> <td>SCALE: 2:1</td> </tr> <tr> <td>SUPSD BY</td> <td>XXX</td> <td>MM-DD-YR</td> <td>SHEET: 1 OF 1</td> </tr> <tr> <td>FILEPATH</td> <td colspan="2">/LINK/PRODUCTS/TADPOLE</td> <td> <table border="1"> <tr> <td>ASY-02100-001</td> <td>REV 1</td> </tr> </table> </td> </tr> </table>			APPROVALS		PROJECT:	TADPOLE	NAME	DATE	NAME:	OEM - RIM 802D	DESIGNED BY: R.PHILLIPS	02-17-99			DRAWN BY: P.SMOLES	02-17-99			CHECKED BY: R.PHILLIPS	02-17-99			ENG APPRD				MFG APPRD	XXX	MM-DD-YR	CAD MODEL FILE: OEM-RIM 802D	SUPERSEDES	XXX	MM-DD-YR	SCALE: 2:1	SUPSD BY	XXX	MM-DD-YR	SHEET: 1 OF 1	FILEPATH	/LINK/PRODUCTS/TADPOLE		<table border="1"> <tr> <td>ASY-02100-001</td> <td>REV 1</td> </tr> </table>	ASY-02100-001	REV 1
APPROVALS		PROJECT:	TADPOLE																																											
NAME	DATE	NAME:	OEM - RIM 802D																																											
DESIGNED BY: R.PHILLIPS	02-17-99																																													
DRAWN BY: P.SMOLES	02-17-99																																													
CHECKED BY: R.PHILLIPS	02-17-99																																													
ENG APPRD																																														
MFG APPRD	XXX	MM-DD-YR	CAD MODEL FILE: OEM-RIM 802D																																											
SUPERSEDES	XXX	MM-DD-YR	SCALE: 2:1																																											
SUPSD BY	XXX	MM-DD-YR	SHEET: 1 OF 1																																											
FILEPATH	/LINK/PRODUCTS/TADPOLE		<table border="1"> <tr> <td>ASY-02100-001</td> <td>REV 1</td> </tr> </table>	ASY-02100-001	REV 1																																									
ASY-02100-001	REV 1																																													
TOLERANCES ARE:																																														
LINEAR: N/A																																														
ANGULAR: N/A																																														
SURFACE FINISH: N/A																																														
INTERPRET DIMENSIONS AND TOLERANCES AS PER ANSI Y14.5M-1994																																														

PART NO.	REV	ECN	DESCRIPTION	ARTWORK NO.
MAT-02190-001	C	ECN-00443	LABEL - OEM R802D	ART-02190-001



- NOTES:
- MATERIAL: 3M 7816 THERMAL-PRINTABLE POLYESTER FILM  
FILM THICKNESS: 2 mil FACE STOCK (0.051mm/.002 )  
COLOUR: N/A
  - ADHESIVE: PERMANENT PRESSURE-SENSITIVE ACRYLIC  
THICKNESS: 0.7-1.0 mils 0.018-0.025mm/(.0007-.001 )  
RELEASE LINER: SILICONE TREATED PAPER
  - PRINTING PROCESS: SILK SCREEN
  - ARTWORK: OBTAIN FROM RIM TECHNICAL PUBLICATIONS DEPT.  
REFERENCE RIM PART NO. PER ASSEMBLY CHART, LATEST REVISION
  - A) PART TO BE DIE CUT WITH RELEASE LINER AND SUPPLIED IN ROLL FORM.  
B) DO NOT REMOVE SCRAP MATERIAL BETWEEN LABELS AS SHOWN BY CROSSHATCH
  - PACKAGING:  
ROLL FORM:  
ROLLS TO BE INDIVIDUALLY WRAPPED IN PROTECTIVE PACKAGING  
ROLLS TO DISPLAY RIM PART NUMBER AND NUMBER OF LABELS/ROLL  
ROLL:  
CORE SIZE: 76.2mm (3 )  
ROLL SIZE: 203.2mm (8 ) MAX.  
LABELS TO BE OUTSIDE WOUND, HEAD FIRST
  - PART TOOLING (DIE) TO BE MANUFACTURED USING GEOMETRY FROM Pro/ENGINEER FILE SUPPLIED BY RIM MECHANICAL ENGINEERING DEPT.
  - DIMENSIONS WITH  $\nabla$  DENOTE CRITICAL INSPECTION DIMENSIONS

1	ECN: 00443	INITIAL RELEASE	RP	07-08-99																		
REV	ECN	CHANGES	DFTS	DATE																		
DIMENSIONS ARE IN: mm																						
UNLESS OTHERWISE SPECIFIED																						
TOLERANCES ARE:																						
LINEAR: 0.2		<b>RESEARCH IN MOTION</b> WATERLOO, ONTARIO CANADA PH (519) 888-7465, FAX: (519) 888-6906																				
ANGULAR: 1		THE CONTENT OF THIS DOCUMENT IS RIM INTELLECTUAL PROPERTY. IT IS CONFIDENTIAL AND IS NOT TO BE DISCLOSED, REPRODUCED OR USED EXCEPT WITH THE WRITTEN PERMISSION OF RIM.																				
SURFACE FINISH 1.6		COPYRIGHT 1999 RESEARCH IN MOTION LIMITED.																				
INTERPRET DIMENSIONS AND TOLERANCES AS PER ANSI Y14.5M-1994		APPROVALS <table border="1"> <thead> <tr> <th>NAME</th> <th>DATE</th> </tr> </thead> <tbody> <tr> <td>DESIGNED BY: P.SIMCES</td> <td>02-05-99</td> </tr> <tr> <td>DRAWN BY: P.SIMCES</td> <td>02-05-99</td> </tr> <tr> <td>CHECKED BY: P.SIMCES</td> <td>03-16-99</td> </tr> <tr> <td>ENGR APPROV:</td> <td></td> </tr> <tr> <td>MFG APPROV: XXX</td> <td>MM-DD-YR</td> </tr> <tr> <td>SUPERSEDES: XXX</td> <td>MM-DD-YR</td> </tr> <tr> <td>SUPD BY: XXX</td> <td>MM-DD-YR</td> </tr> <tr> <td>FILEPATH: J:\LINK\PRODUCTS\TADPOLE</td> <td></td> </tr> </tbody> </table>			NAME	DATE	DESIGNED BY: P.SIMCES	02-05-99	DRAWN BY: P.SIMCES	02-05-99	CHECKED BY: P.SIMCES	03-16-99	ENGR APPROV:		MFG APPROV: XXX	MM-DD-YR	SUPERSEDES: XXX	MM-DD-YR	SUPD BY: XXX	MM-DD-YR	FILEPATH: J:\LINK\PRODUCTS\TADPOLE	
NAME	DATE																					
DESIGNED BY: P.SIMCES	02-05-99																					
DRAWN BY: P.SIMCES	02-05-99																					
CHECKED BY: P.SIMCES	03-16-99																					
ENGR APPROV:																						
MFG APPROV: XXX	MM-DD-YR																					
SUPERSEDES: XXX	MM-DD-YR																					
SUPD BY: XXX	MM-DD-YR																					
FILEPATH: J:\LINK\PRODUCTS\TADPOLE																						
		PROJECT: TADPOLE NAME: LABEL - OEM 802																				
		CAD MODEL FILE: LABEL_OEM_R802M_ASSY SCALE: 1:1 SHEET: 1 OF 1																				
<b>MAT-02190-000</b>				<b>REV 1</b>																		

22 \_\_\_\_\_ 1



R802D-2-0

ESN: 000/00/123456



LLI: 9900XX00



This product contains a transmitter approved under the FCC and CAN rules.  
 FCC ID: L6AR802D-2-0 CANADA: XXXXXXXXXX  
 This device complies with Part 15 of the FCC Rules.  
 Operation is subject to the following two conditions:  
 (1) this device may not cause harmful interference, and  
 (2) this device must accept any interference received including interference that may cause undesired operation.

MADE IN CANADA  
 FABRIQUE AU CANADA

Notes:

- RIM logo is Pantone Spot Color 307U
- positional tolerance of  $\pm \frac{1}{64}$ " ( $\pm 0.4$  mm)
- color quality must be 100% for RIM logo
- RIM logo must be centered horizontally

A	ECN-0XXX	INITIAL RELEASE	HD	07/28/99	
REV	ECN	CHANGES	DFTS	DATE	
Software: CorelDraw 7.0 Colours: Pantone Spot Colour 307U		<b>RESEARCH IN MOTION</b> WATERLOO, ONTARIO, CANADA PH:(519) 888-7465 FAX:(519) 888-6906			
APPROVALS		THE CONTENT OF THIS DOCUMENT IS RIM INTELLECTUAL PROPERTY. IT IS CONFIDENTIAL AND IS NOT TO BE DISCLOSED, REPRODUCED OR USED EXCEPT WITH THE WRITTEN PERMISSION OF RIM. COPYRIGHT 1999 RESEARCH IN MOTION LIMITED.			
	NAME				DATE
DRAWN BY	Heather Dwyer				07/28/99
CHK'D BY					
ENG					
MFG			PROJECT:	R802D-2-0	
MKTG			NAME:	LABELS - OEM	
LEGAL					
<b>SUPERSEDES</b>			SCALE 2.5 : 1	<b>ART-02190-002</b>	
SUPSD BY			SHEET 1 OF 1		
FILEPATH: \LINK\OEM				<b>REV A</b>	