


C €0168

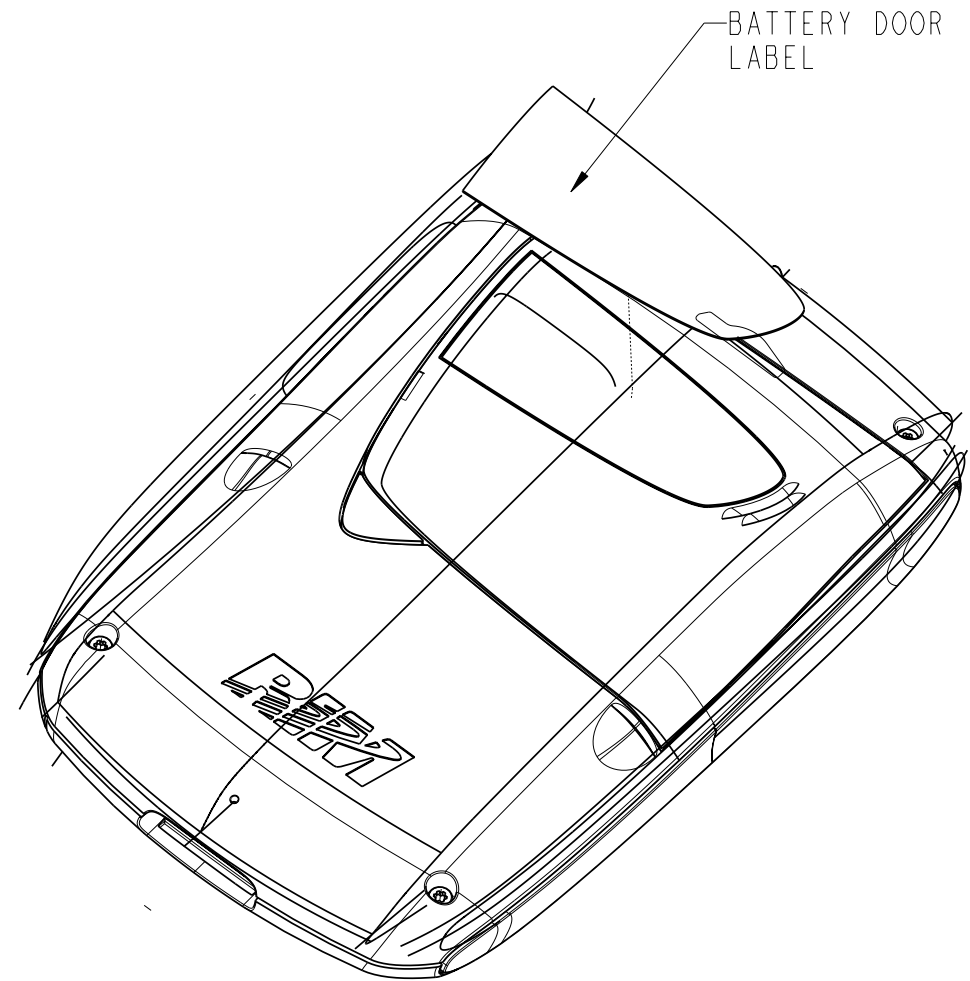
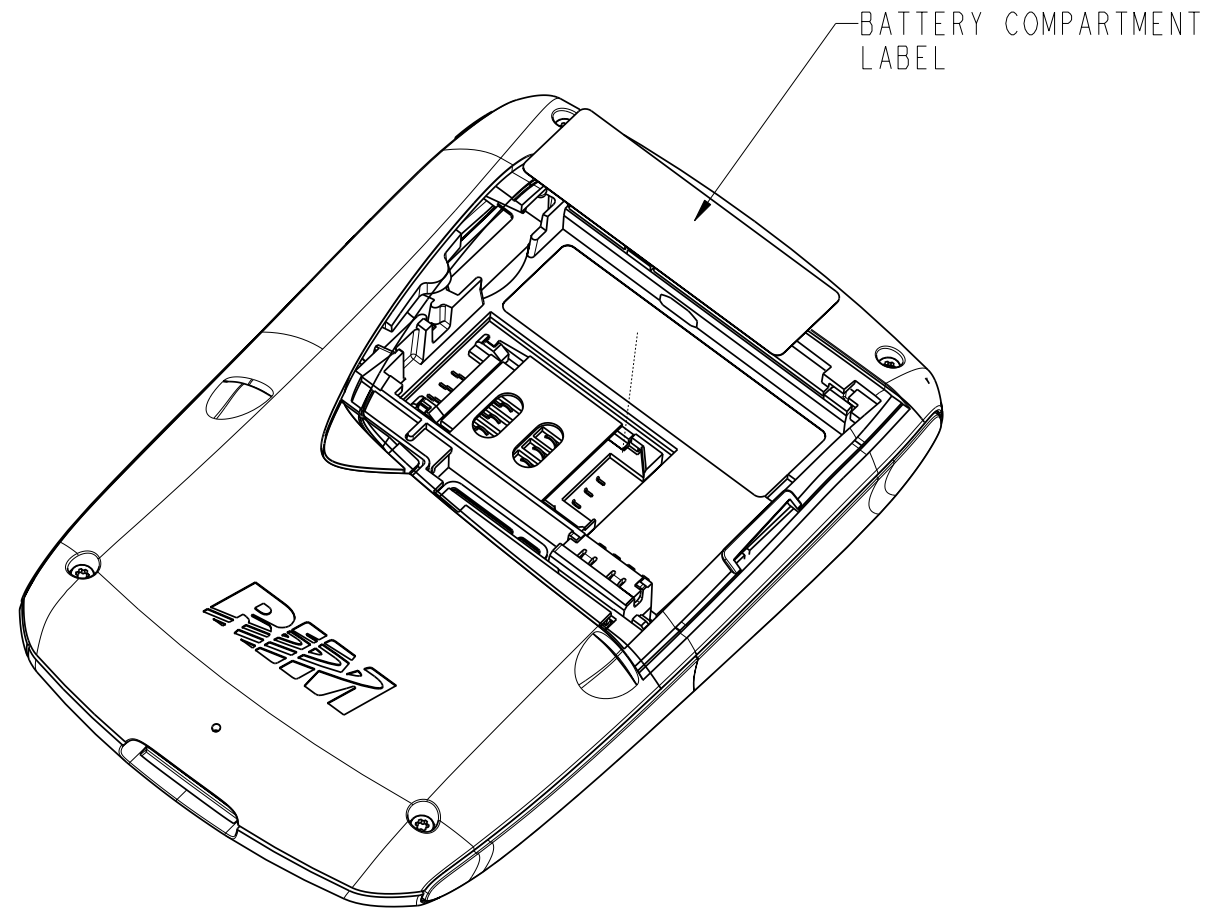


FCC ID: L6AR6030GE MODEL: R6030GE
 IC: 2503A-R6030GE Patents Pending
 Made In Canada U.S. Pat. # D433460

Notes:

- positional tolerance of $\pm \frac{1}{64}$ " (± 0.4 mm)
- color quality must be 100% for Pantone SpotColour 433

1	ECN-0	NEW		03/31/03
REV	ECN	CHANGES		DFTS DATE
Software: CorelDraw 8.0 Colours: Pantone spot colour 433 and process white		 RESEARCH IN MOTION WATERLOO, ONTARIO, CANADA PH:(519) 888-7465 FAX:(519) 888-6906		
		APPROVALS NAME DATE 03/31/03		
DRAWN BY		THE CONTENT OF THIS DOCUMENT IS RIM INTELLECTUAL PROPERTY. IT IS CONFIDENTIAL AND IS NOT TO BE DISCLOSED, REPRODUCED OR USED EXCEPT WITH THE WRITTEN PERMISSION OF RIM.		
CHK'D BY		COPYRIGHT 2000 RESEARCH IN MOTION LIMITED.		
ENG		PROJECT:		
MFG		NAME: ART- LABEL, INFORMATION -		
MKTG		SCALE 2:1		
LEGAL		SHEET 1 OF 1		
SUPERSEDES		ART-029xx-00x		REV
SUPSD BY				A
FILEPATH: R:\CAD\ARCHIVE\				



DIMENSIONS ARE IN: mm

UNLESS OTHERWISE SPECIFIED TOLERANCES ARE:
 LINEAR: ± N/A
 ANGULAR: ± N/A°
 SURFACE FINISH N/A ✓

INTERPRET DIMENSIONS AND TOLERANCES AS PER ANSI Y14.5M-1994

A	ECN-00XXX	NEW	DM	11-23-01
REV	ECN	CHANGES	DFTS	DATE
B				
DWG SIZE		3rd ANGLE PROJECTION	RESEARCH IN MOTION WATERLOO, ONTARIO CANADA PH: (519) 888-7465. FAX: (519) 888-6906	
APPROVALS	NAME	DATE	THE CONTENT OF THIS DOCUMENT IS RIM INTELLECTUAL PROPERTY. IT IS CONFIDENTIAL AND IS NOT TO BE DISCLOSED, REPRODUCED OR USED EXCEPT WITH THE WRITTEN PERMISSION OF RIM. COPYRIGHT 2001 RESEARCH IN MOTION LIMITED.	
DESIGNED BY	R.PHILLIPS	11-23-01	PROJECT:	Unassigned
DRAWN BY	D.MARX	11-23-01	NAME:	T2-DEVELOPMENT
CHECKED BY	R.PHILLIPS	11-23-01	CAD MODEL FILE:	T2-DEVELOPMENT
ENG APPR'D	XXX	MM-DD-YR	SCALE 1:1	SHEET 1 OF 1
MFG APPR'D	XXX	MM-DD-YR	ASSEMBLY PART NUMBER	
SUPERSEDES	XXX	MM-DD-YR		
FILEPATH	Unassigned		REV A	

ASY-02970-001