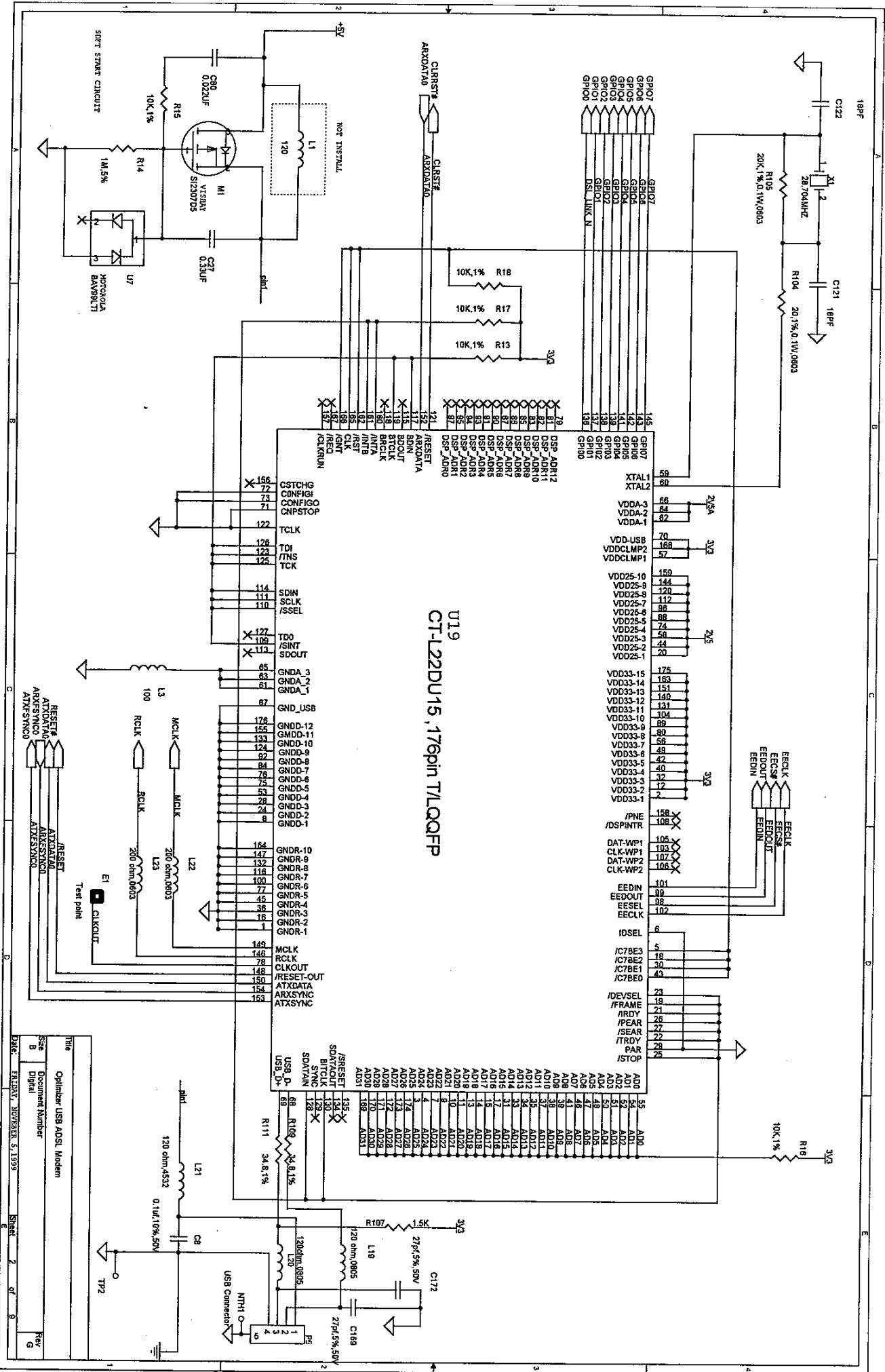
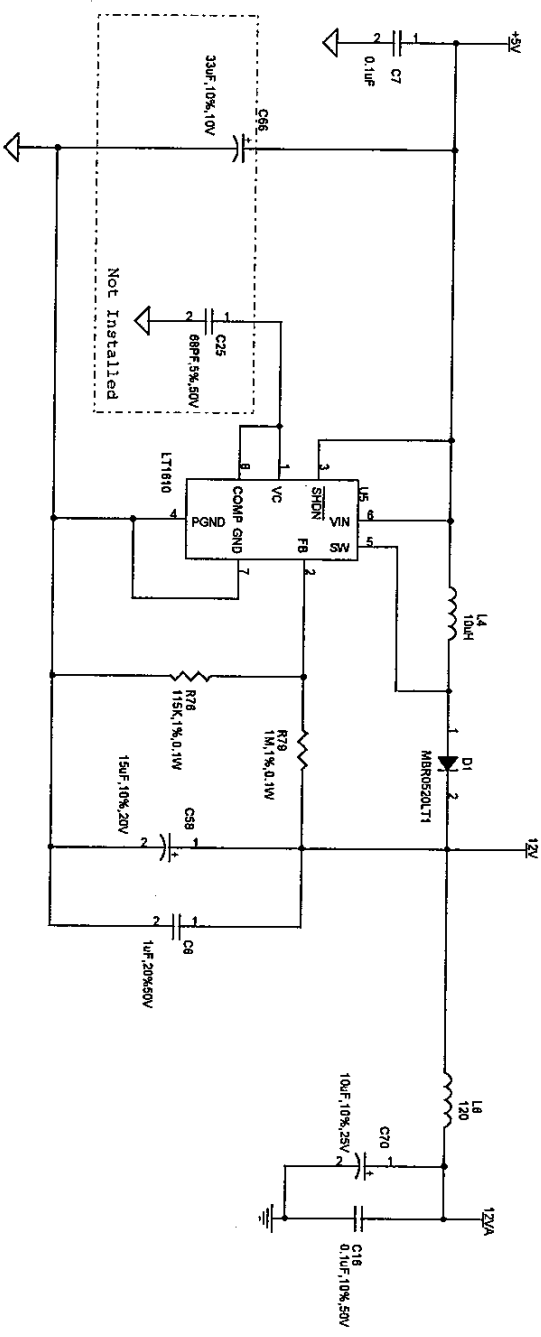


EXHIBIT D

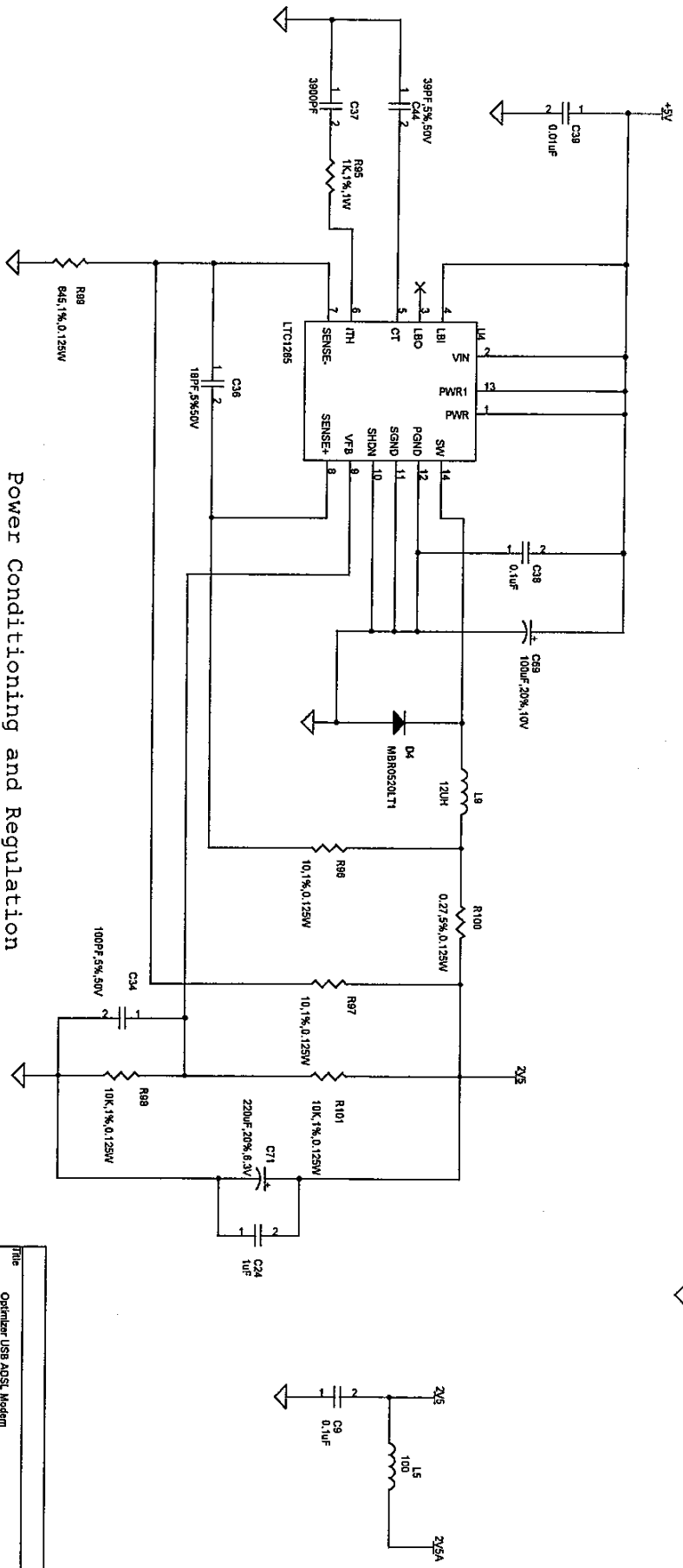
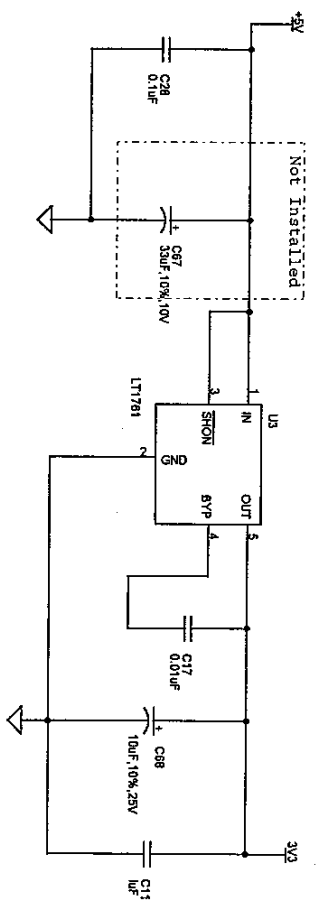
Circuit Diagram





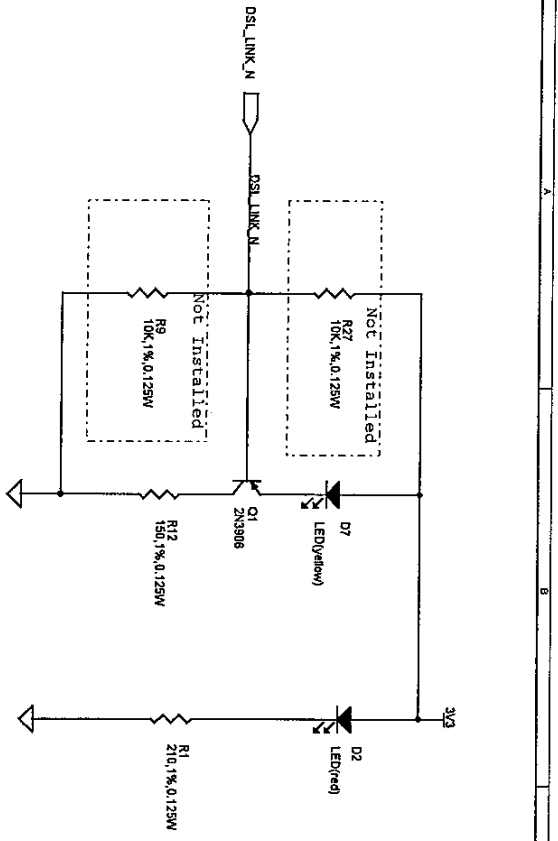
Power Conditioning

Title		Optimiser USB ADSL Modem	
Size	8	Document Number	DC Documenter S-12V
Part	ENTONV_M02328R 5.1.193	Sheet	3 of 8
Rev		G	

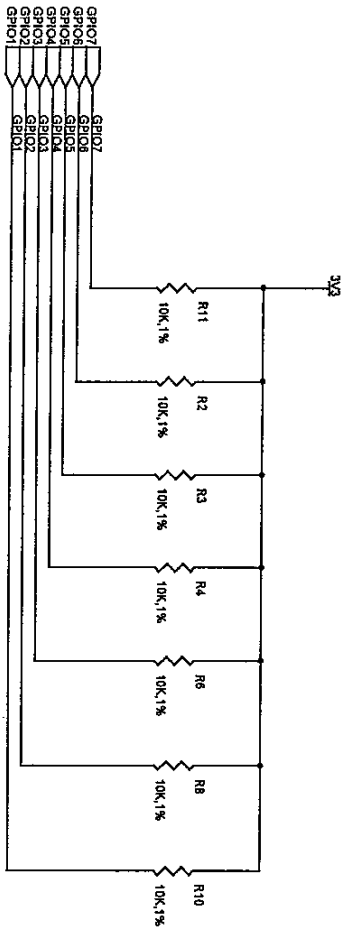


Power Conditioning and Regulation

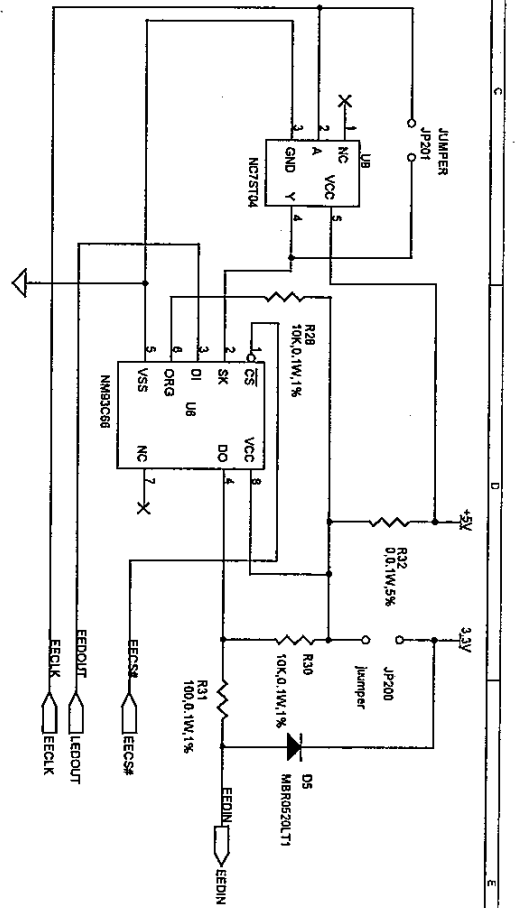
Title	Optimiser USB ADSL Modem
Docoment Number	DC converter 5.2.5V
Size	B
Date:	Thursday, February 17, 2000
Sheet	4 of 9
Rev	0



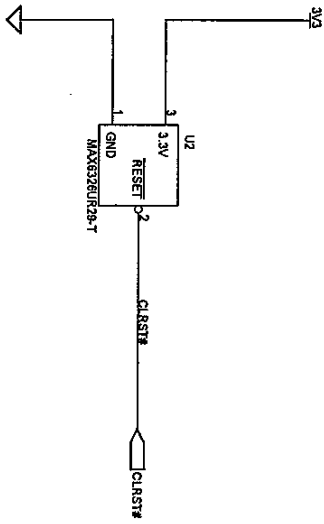
LED indicator



Pull-up Resistor

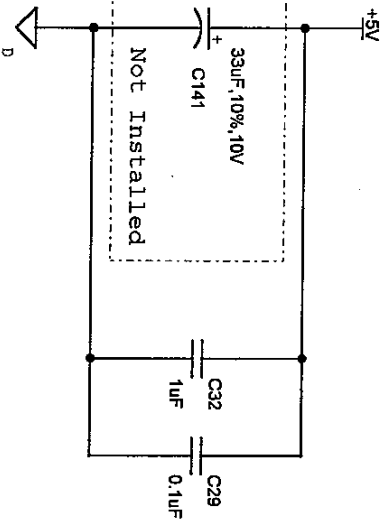
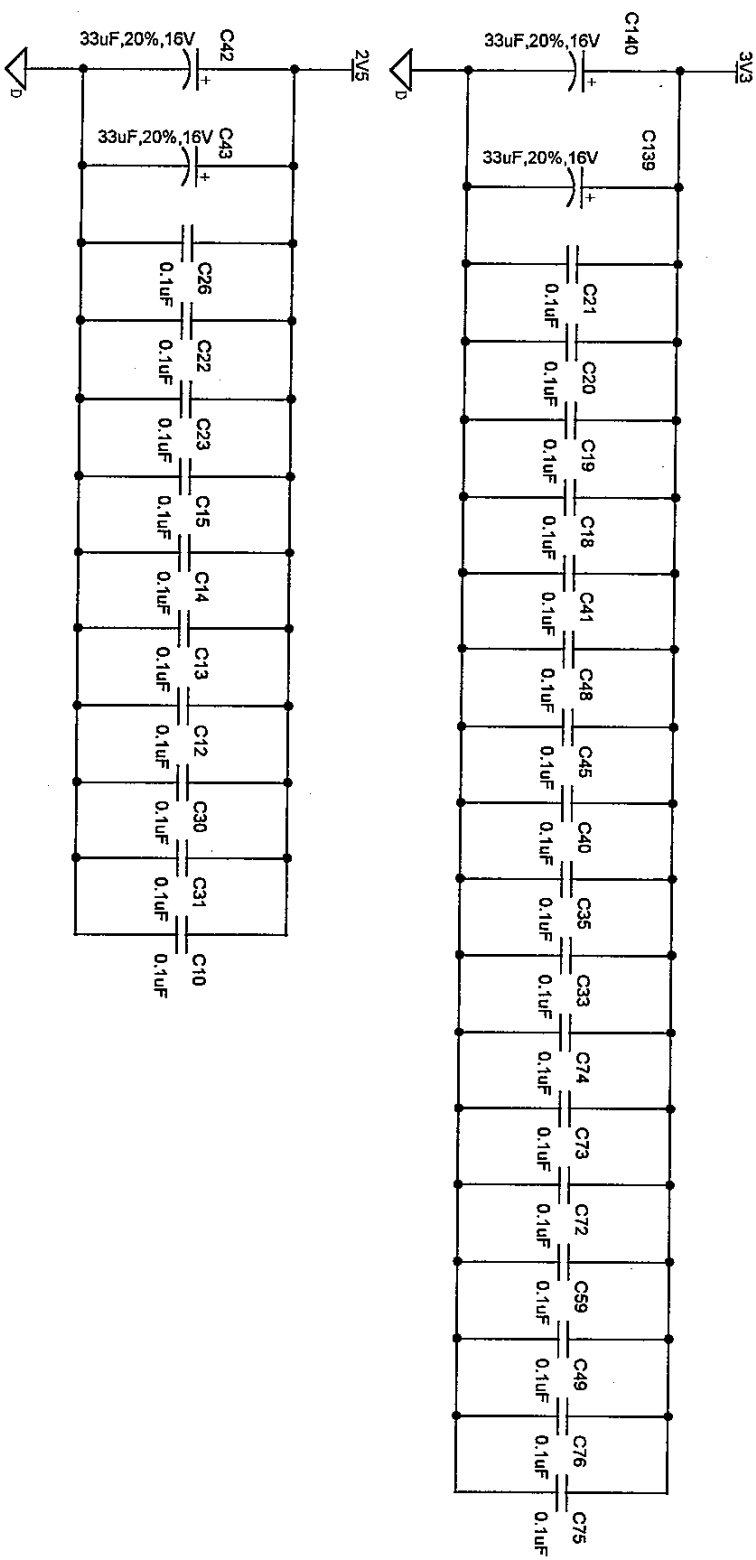


EEPROM

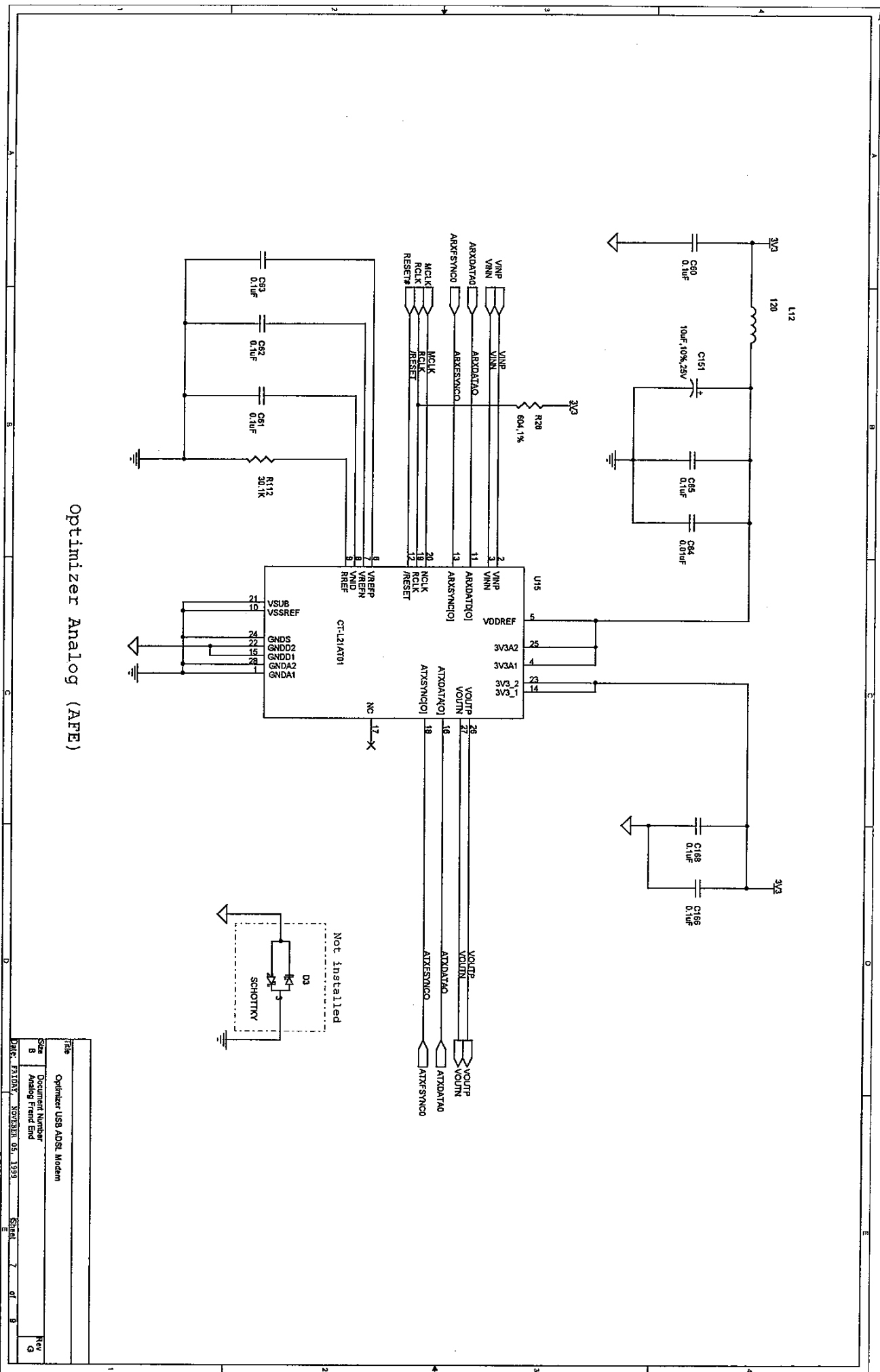


POWER ON RESET

Title	Optimiser USB ADSL Modem
Size	Document Number
B	EEPROM
Part	FR100V1700R000R 5.1399
Sheet	5 of 9
Rev	G

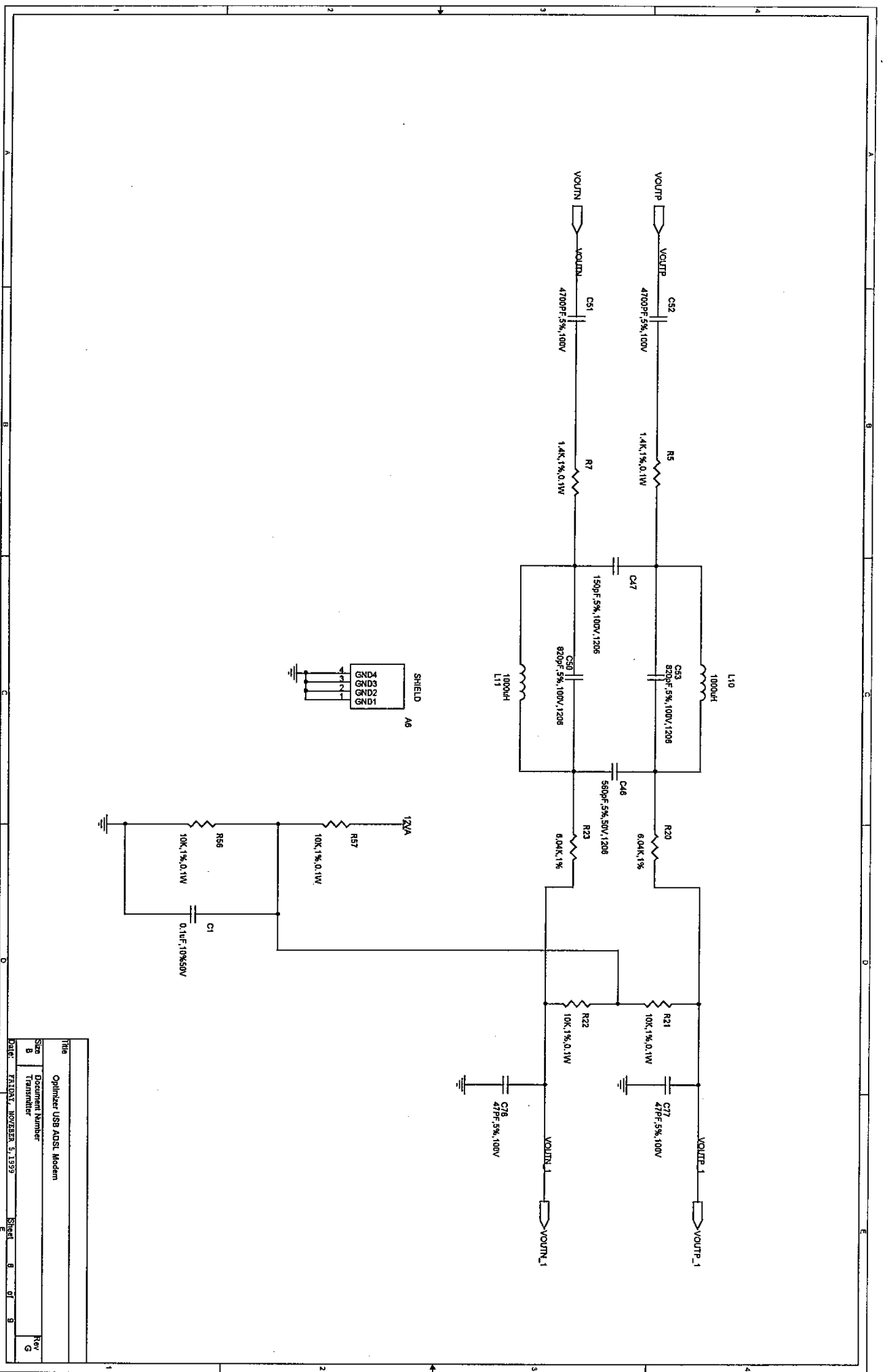


Title		Optimizier USB ADSL Modem
Size	Document Number	
A	Decouple	
Date:	FRIDAY, NOVEMBER 5, 1999	Sheet 6 of 9
		Rev G

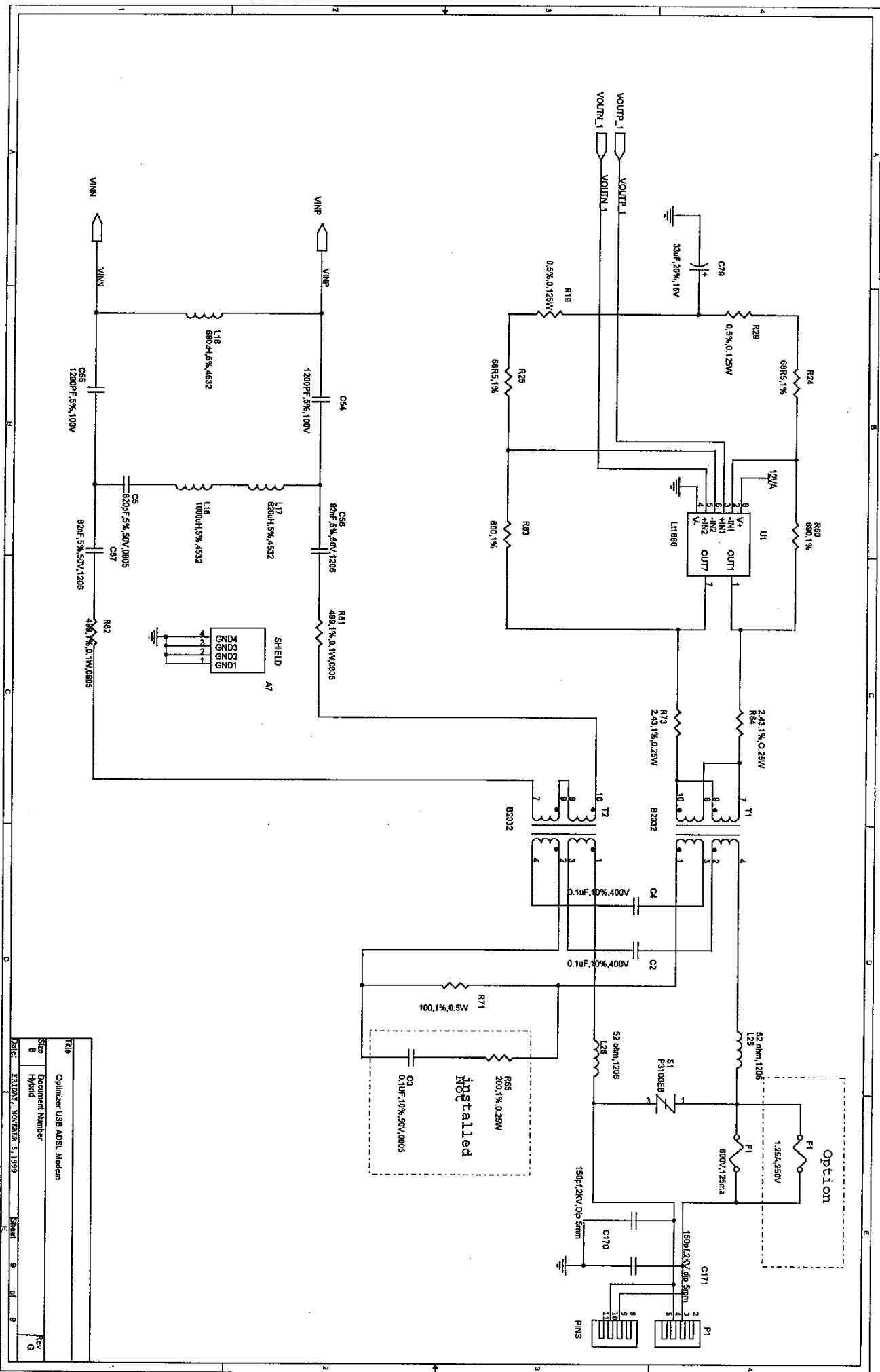


Optimizer Analog (AFE)

Title		Optimizer USB ADSL Modem
Size	Document Number	
B	Analogue Front End	
Date	PLANNED	NOVEMBER 05, 1999
Sheet	7	of 9
Rev	G	



Title		Optimizer USB ADSL Modem
Size		Document Number
B		Transmitter
DATE		FALGUY, NOVEMBER 5, 1999
Sheet		8 of 9
Rev		C



File	Optimiser USB ADSL Modem
Size	Document Number
B	Hybrid
Date	FALLENBY, MORRISSEK 5.1.1992
Sheet	9 of 9
Rev	G