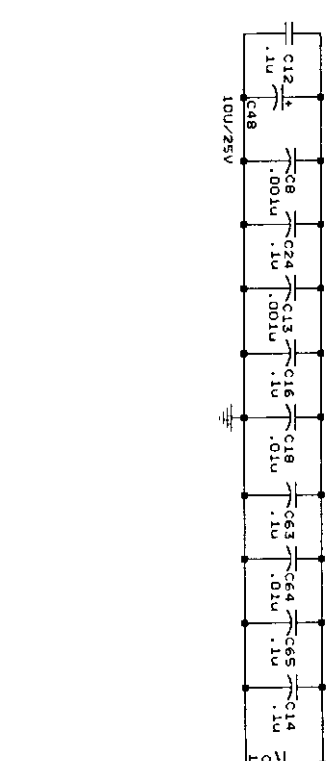
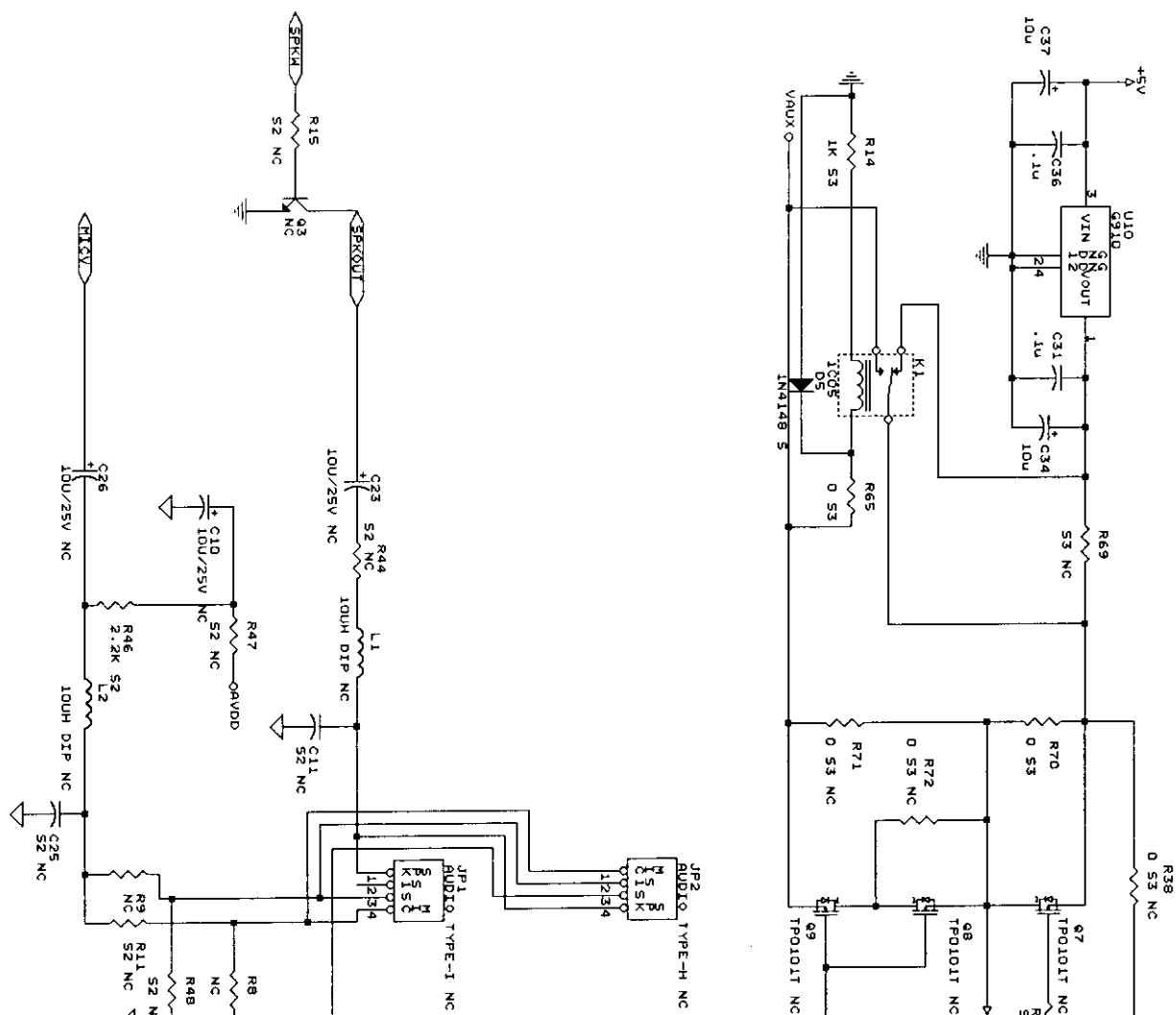
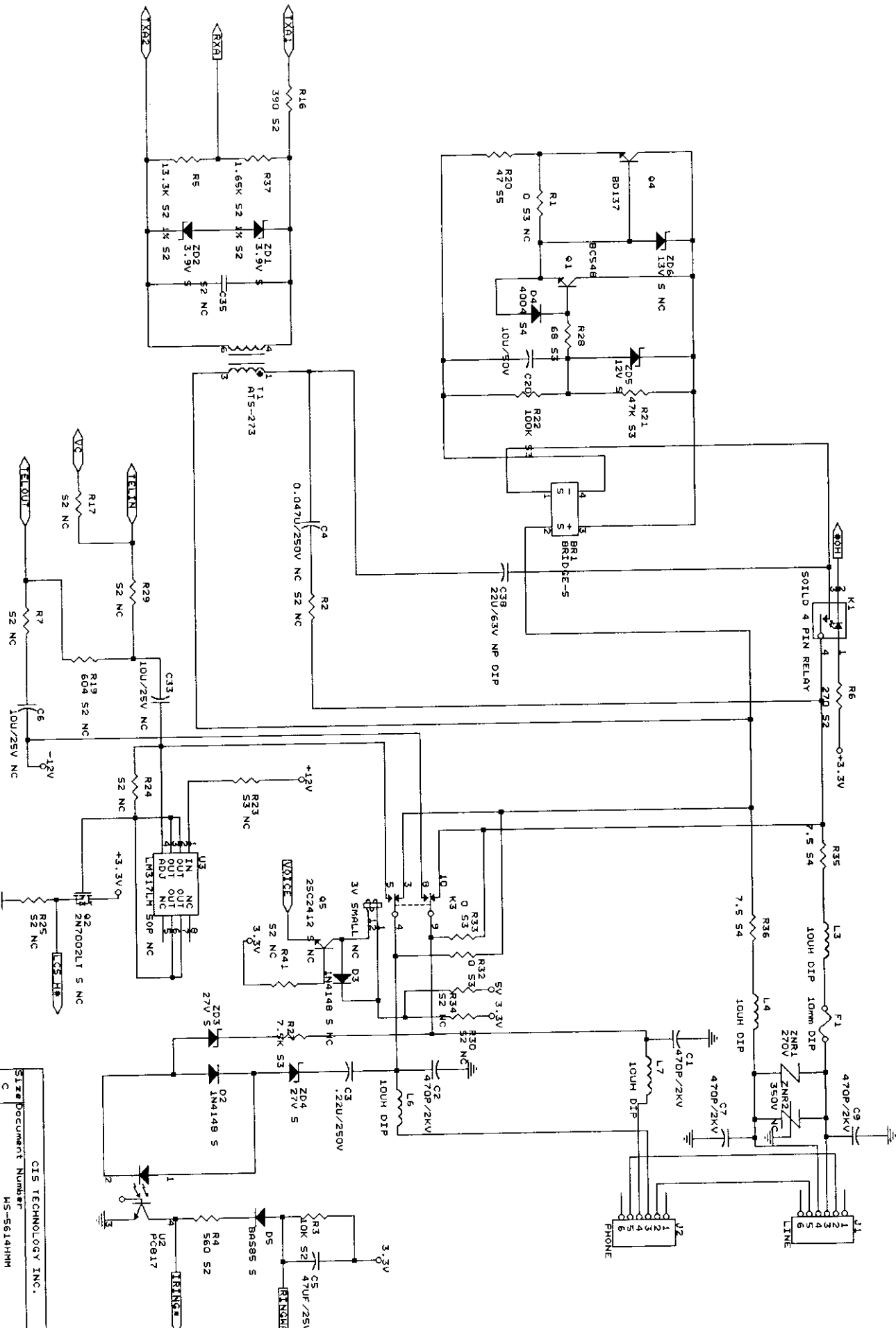
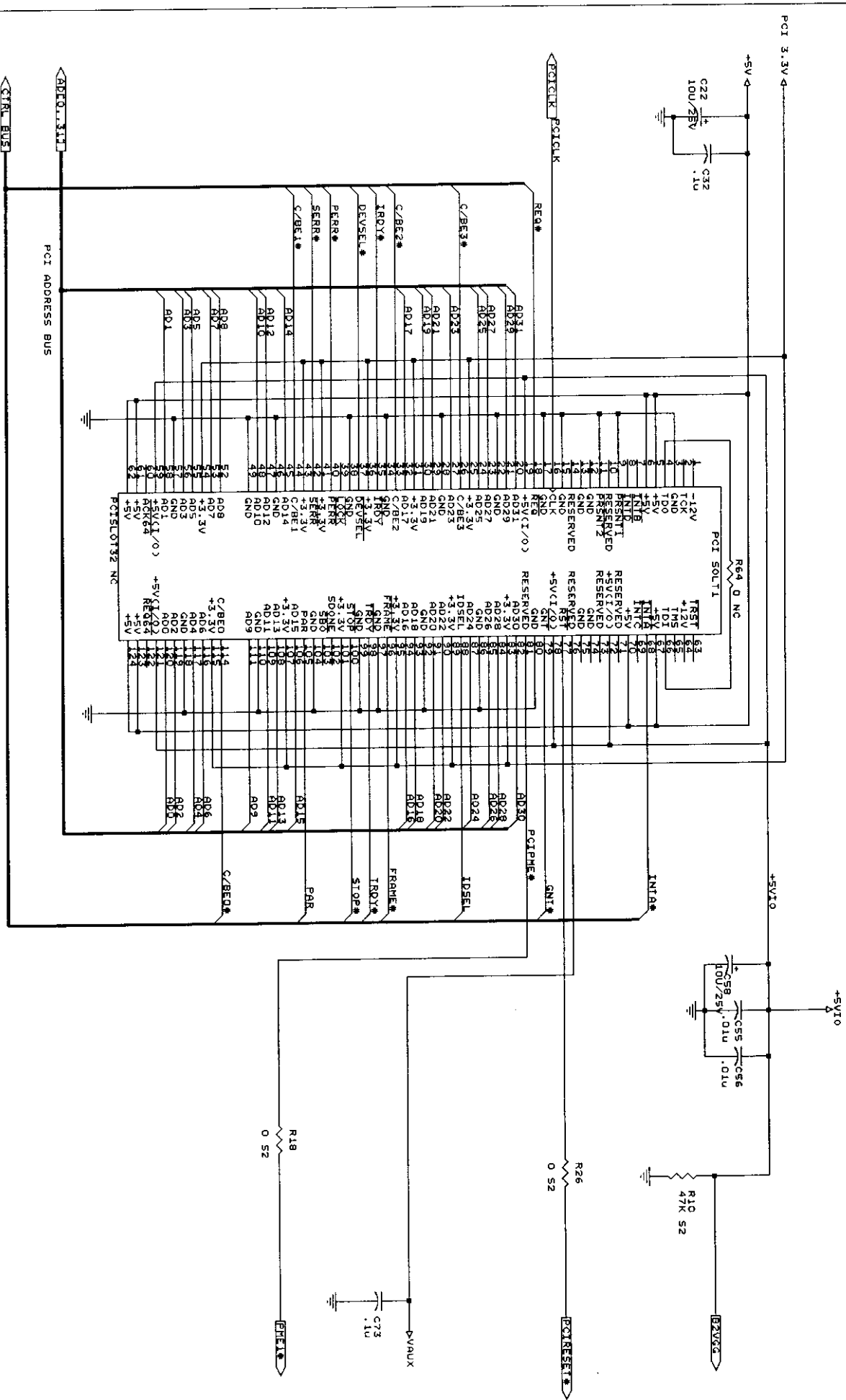


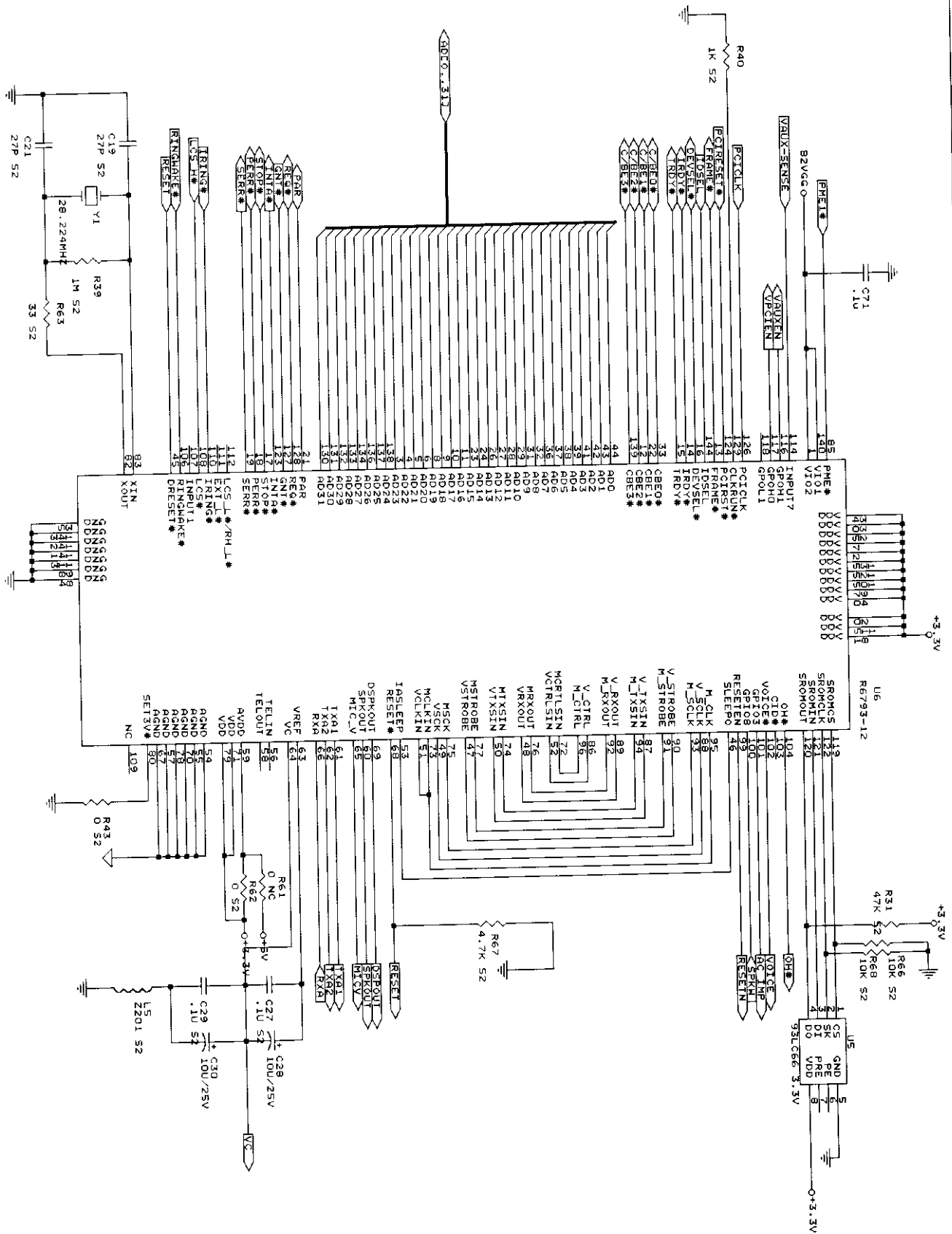
***EXHIBIT D***

***Circuit Diagram***









R43 NOT INSTALL =+5V IN OPERATION  
R43 INSTALL =+3.3 V IN OPERATION