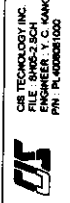


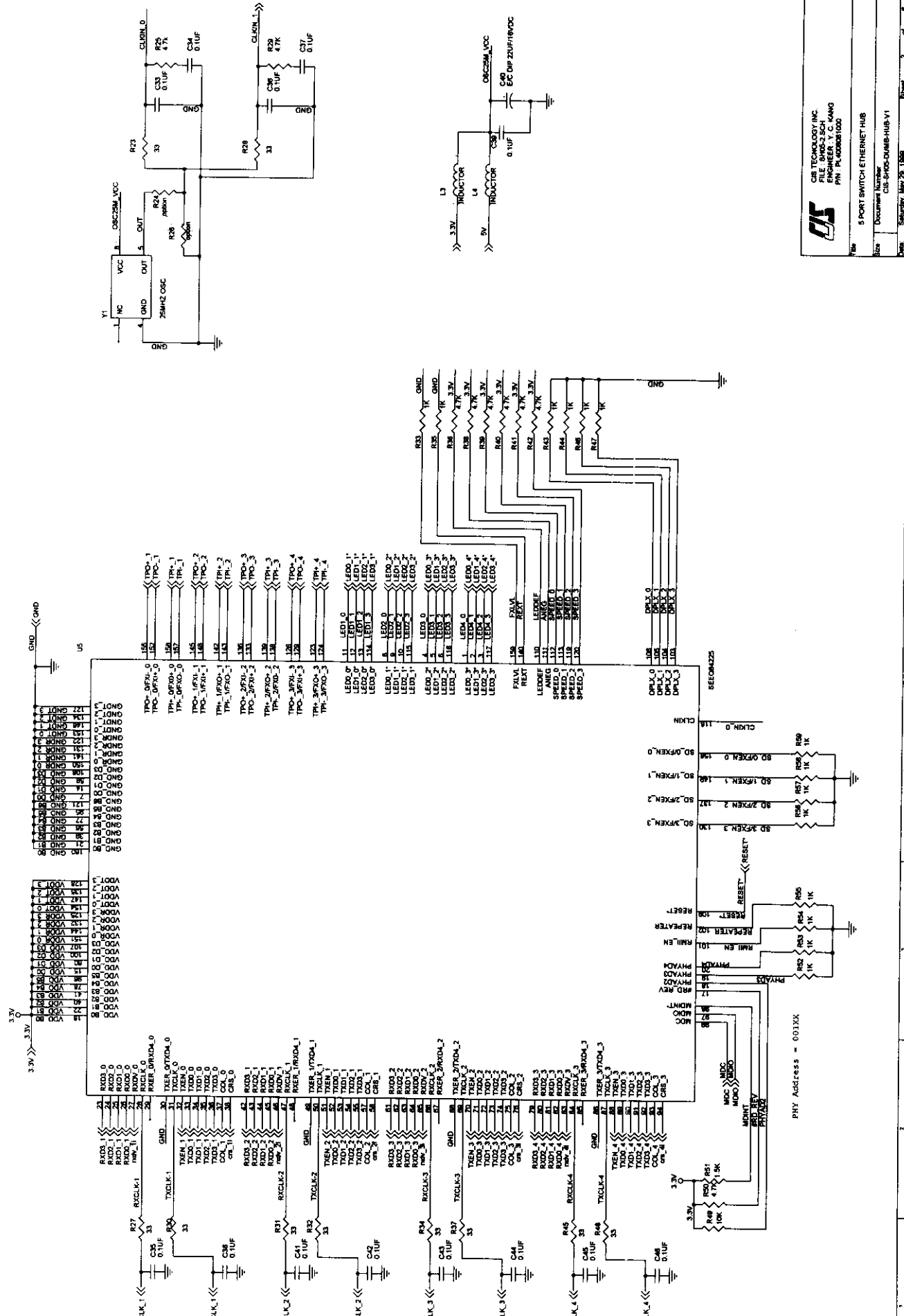
EXHIBIT D
Circuit Diagram

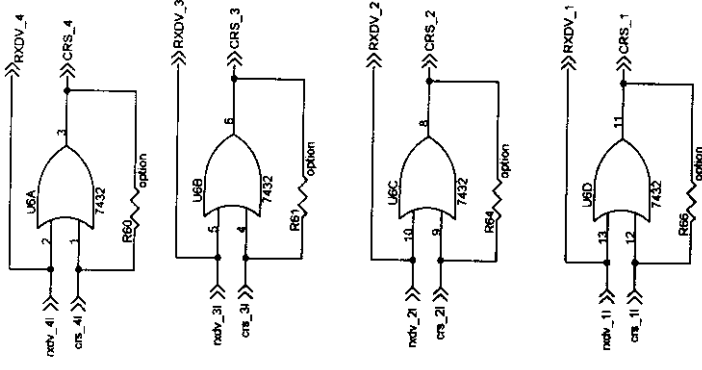
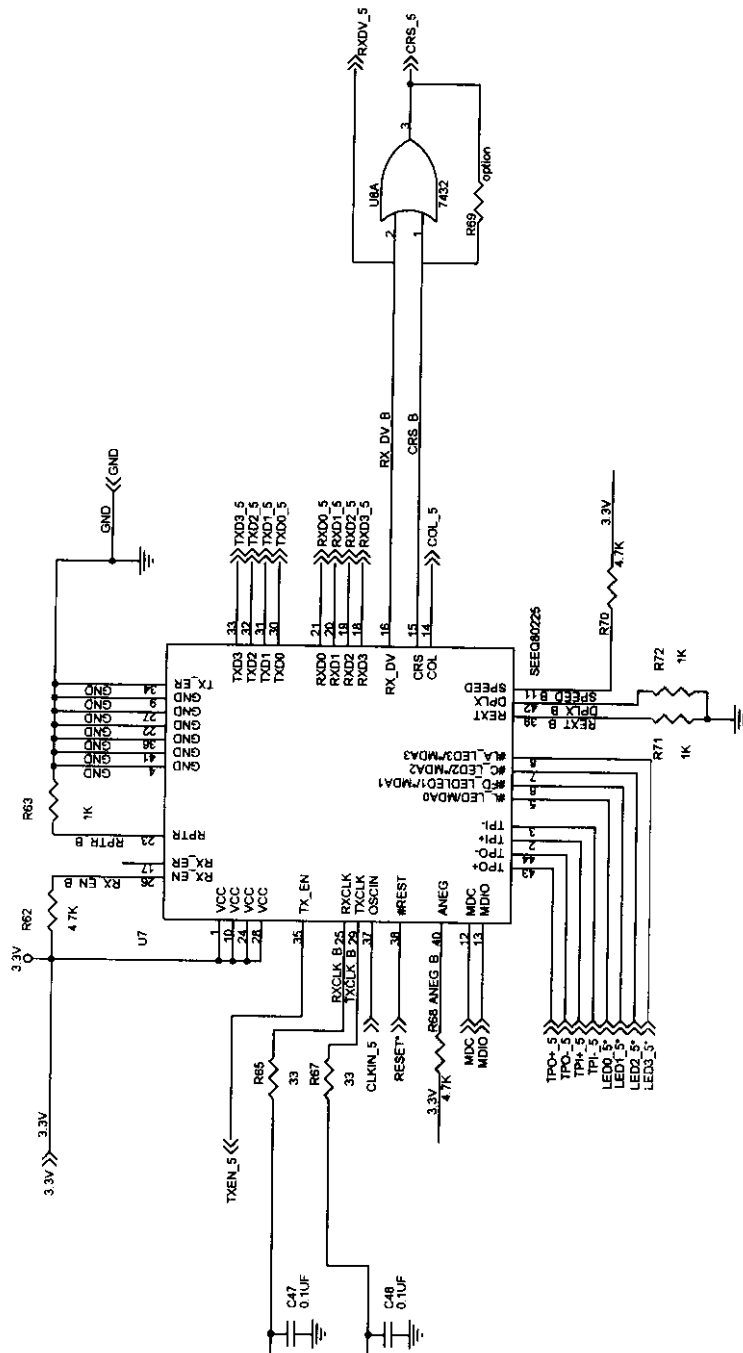


CTS TECHNOLOGY INC
FILE: 5PMS-2.SCH
REV: 1.0
P/N: PL400031020

Doc: 5 PORT SWITCH ETHERNET HUB
Document Number: CTS-5PMS-DIMS-HUB-V1
Date: September, May 23, 1999

Page 2 of 8





CIS TECHNOLOGY INC.
 FILE: SHRS3.SCH
 ENGINEER: Y. C. KANG
 P/N: PL4008081000

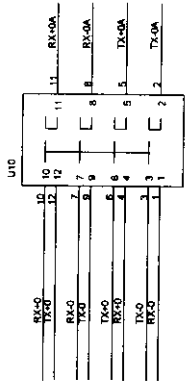
Title: 5 PORT SWITCH ETHERNET HUB

Size: Document Number: CIS-SHRS-DUMB-HUB-V1

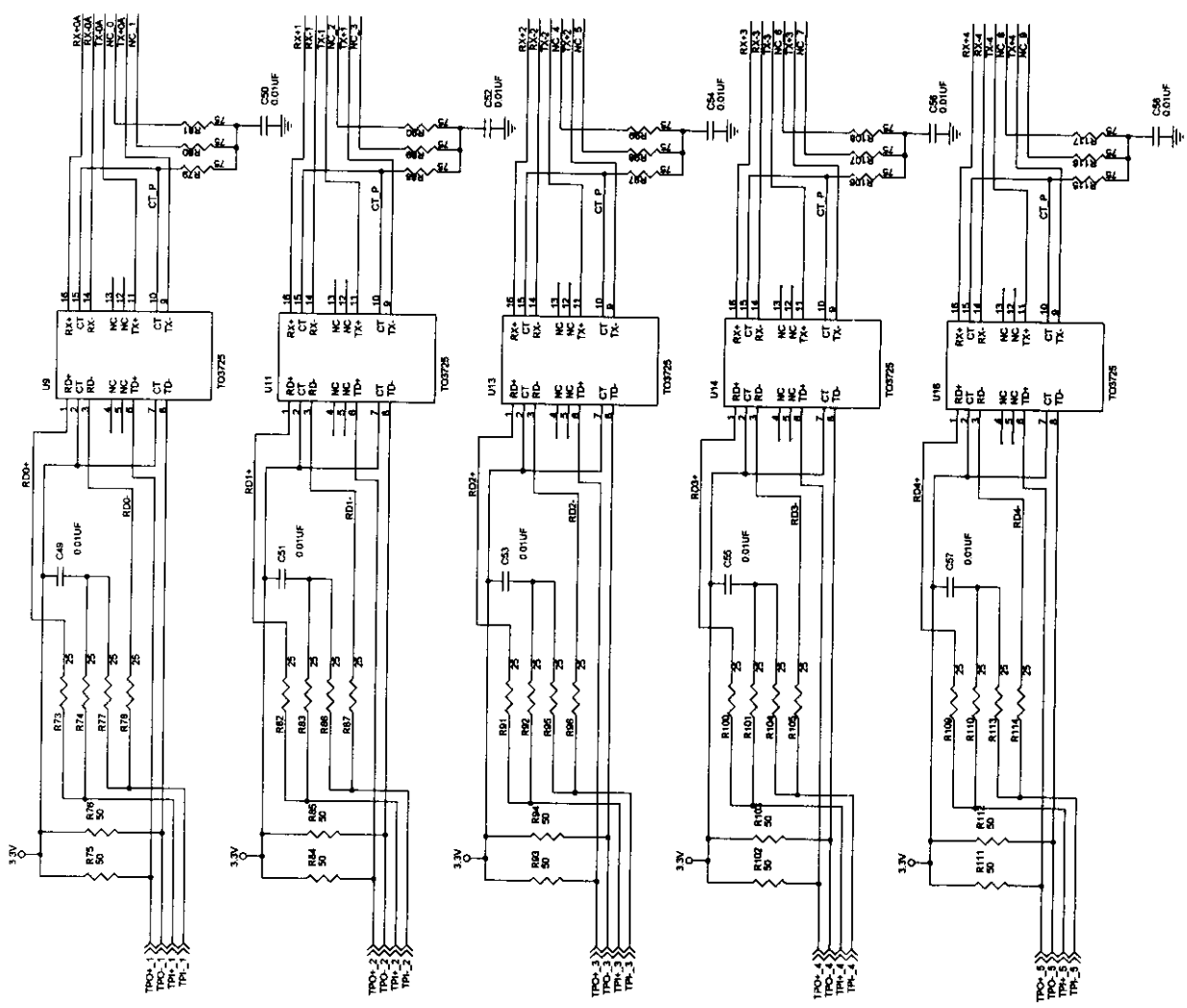
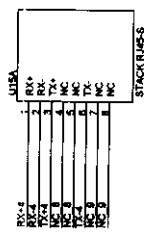
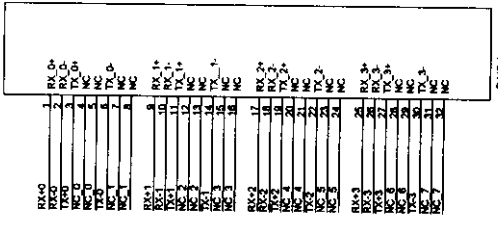
Date: Saturday, May 29, 1999

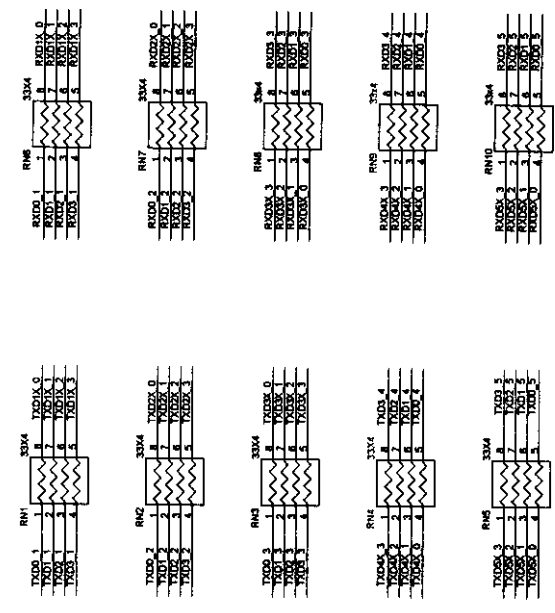
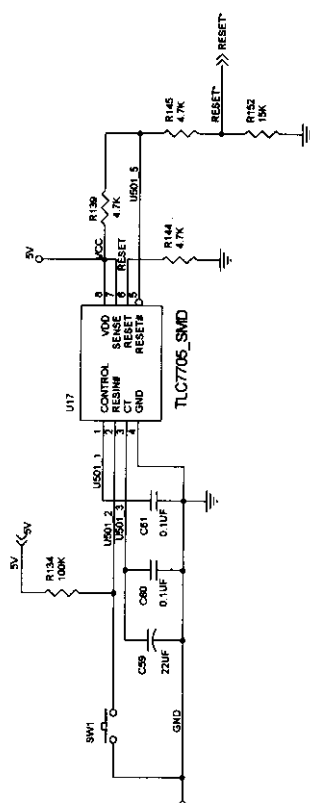
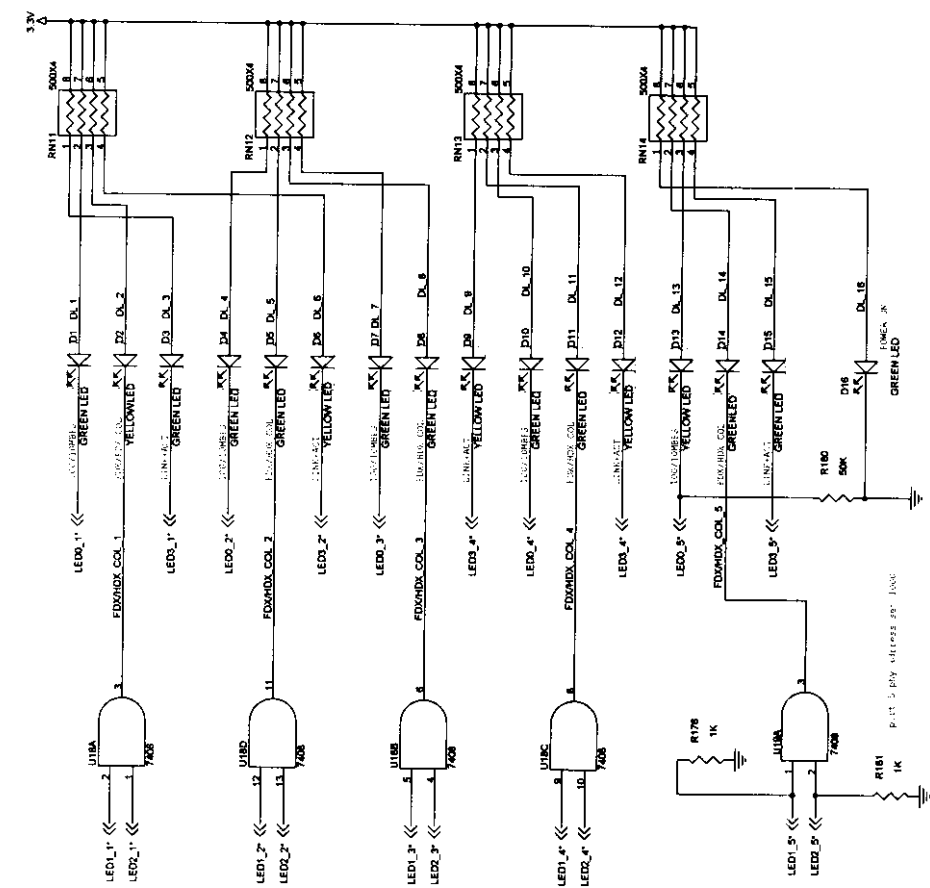
Sheet 3 of 8


Rev 1



U12



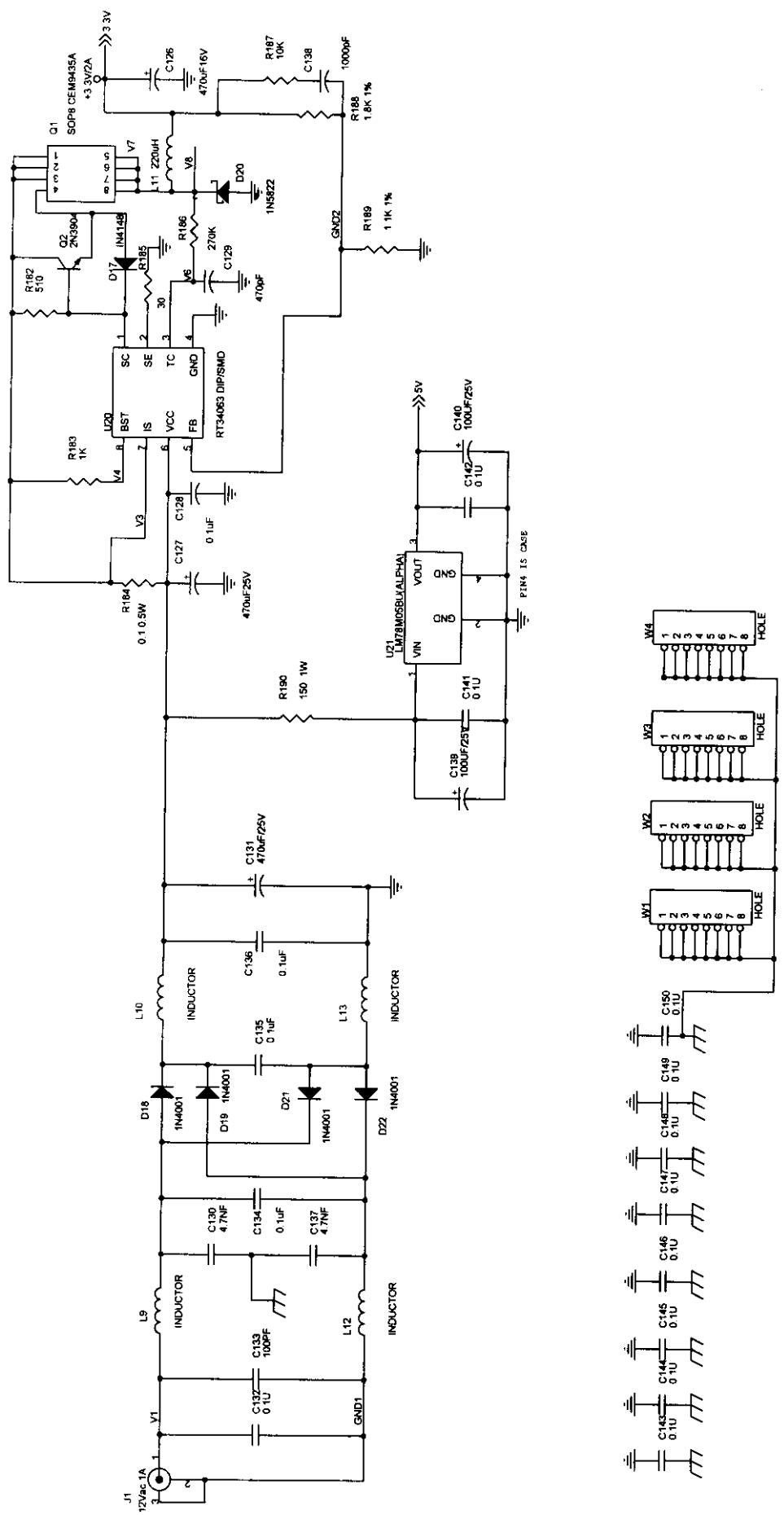




CTS TECHNOLOGY INC.
 FILE: SMD-5.SCH
 REV: 0001
 FILE: P:\00000100

Rev	1	2	3	4	5	6
Date	01/25/00					
Doc Number	CIS-SMD-DUMIP-HUB-V1					
Sheet	1	of 1				

5 PORT SWITCH ETHERNET HUB
 Document Number
 CIS-SMD-DUMIP-HUB-V1
 Revision: May 25, 2000

5-Port Ethernet Hub





 CIS TECHNOLOGY INC.
 FILE: SH05-4 SCH.
 ENGINEER: Y. C. KANG
 P/N: PL-000001000

File	5 PORT SWITCH ETHERNET HUB		
Size	Document Number	CIS-SH05-DUMB-HUB-V1	Rev
Date	Saturday, May 25, 1999	Sheet	6 of 6

THIS SCHEMATIC IS DESIGN FOR MII(7)+ GMII(8, 9, A, B)