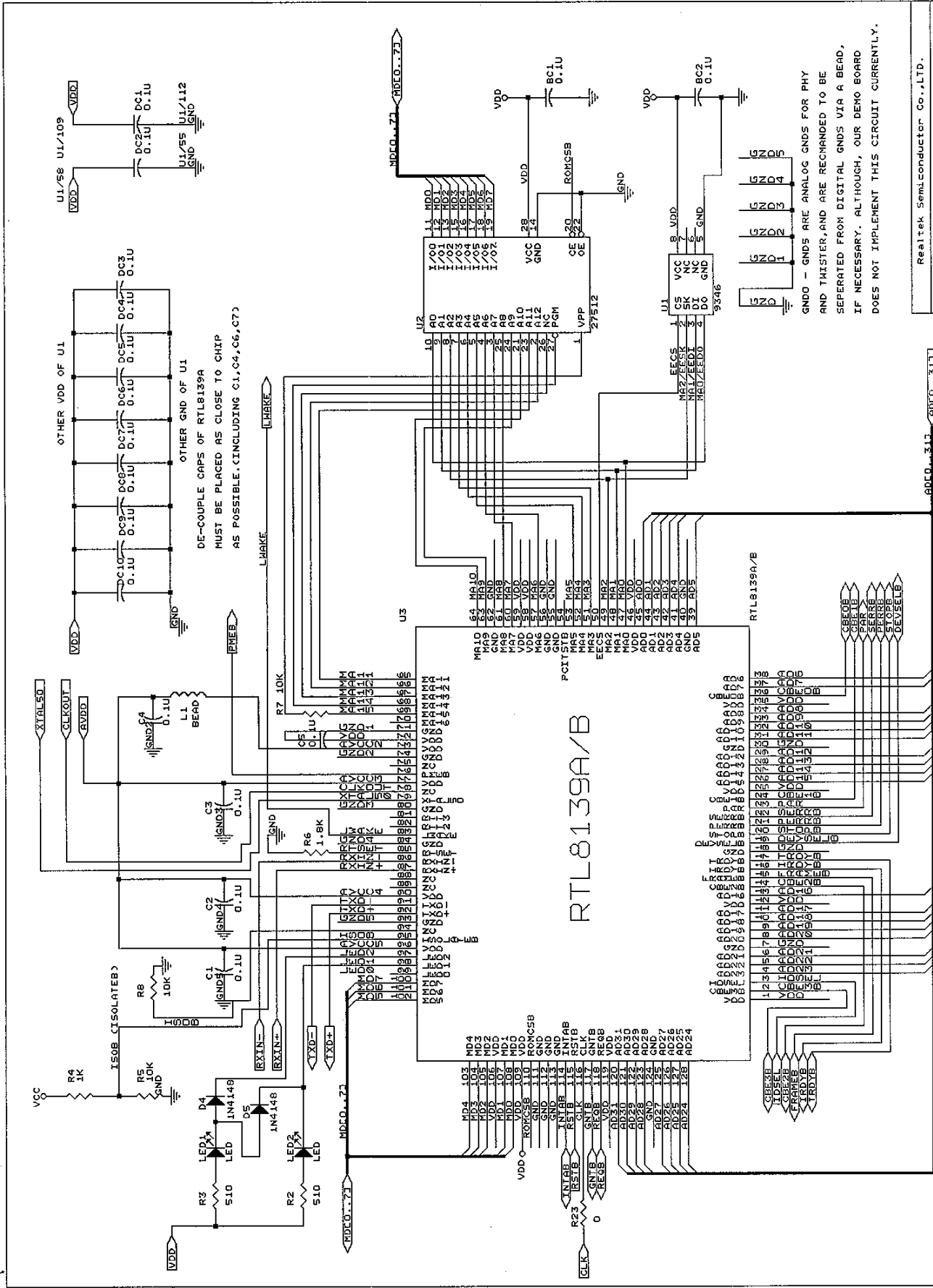


EXHIBIT D

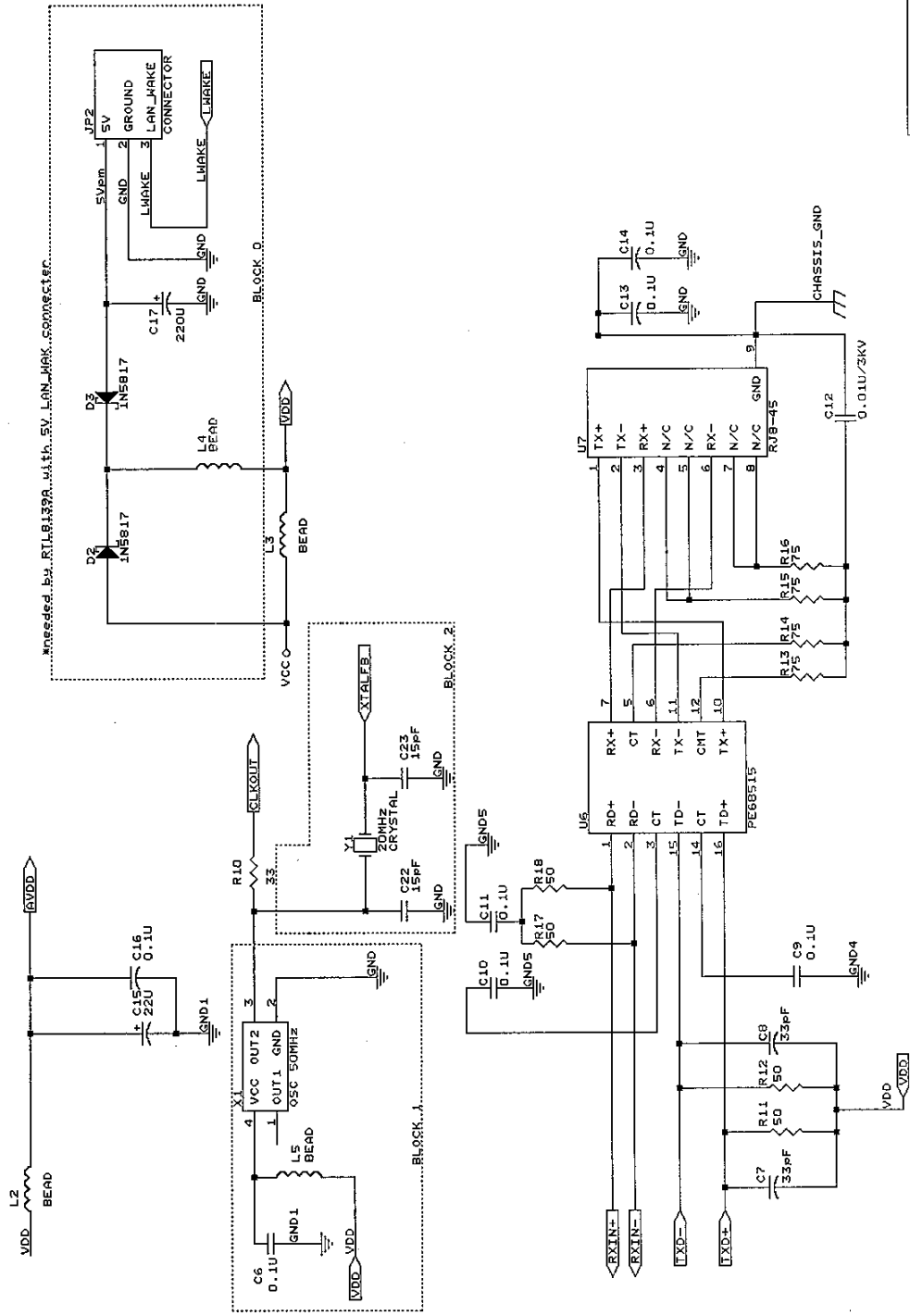
Circuit Diagram



RTL8139A/B

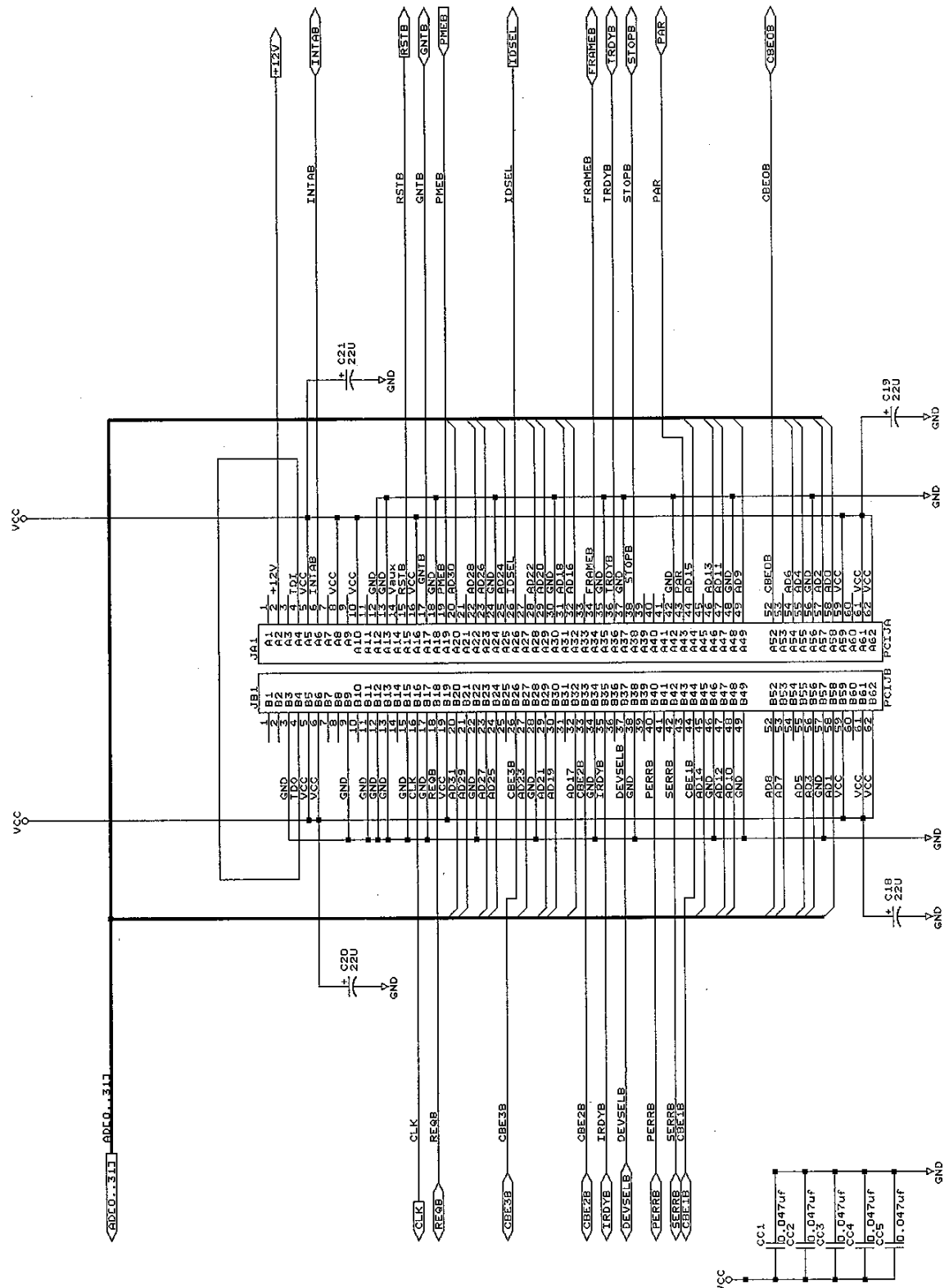
GND - GNDs ARE ANALOG GNDs FOR PHY AND THISTER, AND ARE RECOMMENDED TO BE SEPERATED FROM DIGITAL GNDs VIA A BEAD, IF NECESSARY. ALTHOUGH, OUR DEMO BOARD DOES NOT IMPLEMENT THIS CIRCUIT CURRENTLY.

- #IF THE 20MHZ CRYSTAL IS USED AS THE CLOCK SOURCE, DISCARD BLOCK 1 AND APPLY R8 IN SHEET 1
- #IF THE 50MHZ OSC IS USED AS THE CLOCK SOURCE, DISCARD BLOCK 2 AND R8 IN SHEET 1
- #FOR RTL8139A WITH POWER MANAGEMENT APPLICATION,REMOVE L3
- #FOR RTL8139A WITHOUT VAUX APPLICATION,REMOVE BLOCK 0
- #FOR LUMP VAUX, C17 MUST BE LARGE ENOUGH TO AVOID POWER SUPPLY'S COMPATIBILITY
- #FOR RTL8139 APPLICATION,L3 MUST HAVE RATED 300MA CURRENT/1000VH@100MHZ



Title		Realtek Semiconductor Co.,LTD.	
Size		RTL8139A OEM DEMO BOARD	
B		RED139A_002_No03V.000	
REV		0.0	
Date:		July 28, 1998	
		Sheet 2 of 3	

This circuit is not the final version, and is subject to change possibly in the future. It's for reference only.



This circuit is not the final version, and is subject to change possibly in the future. It's for reference only.

