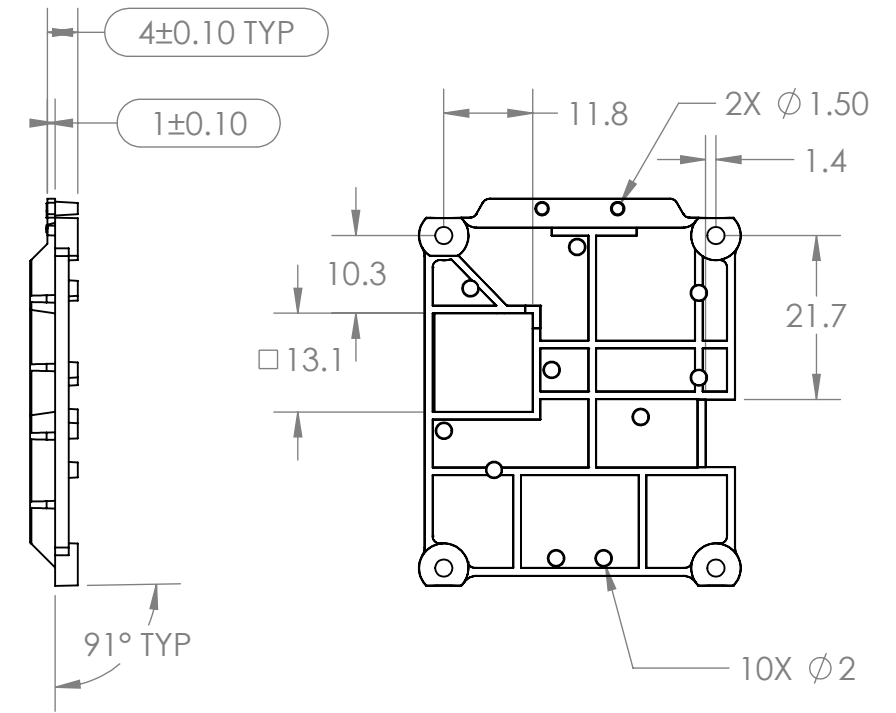
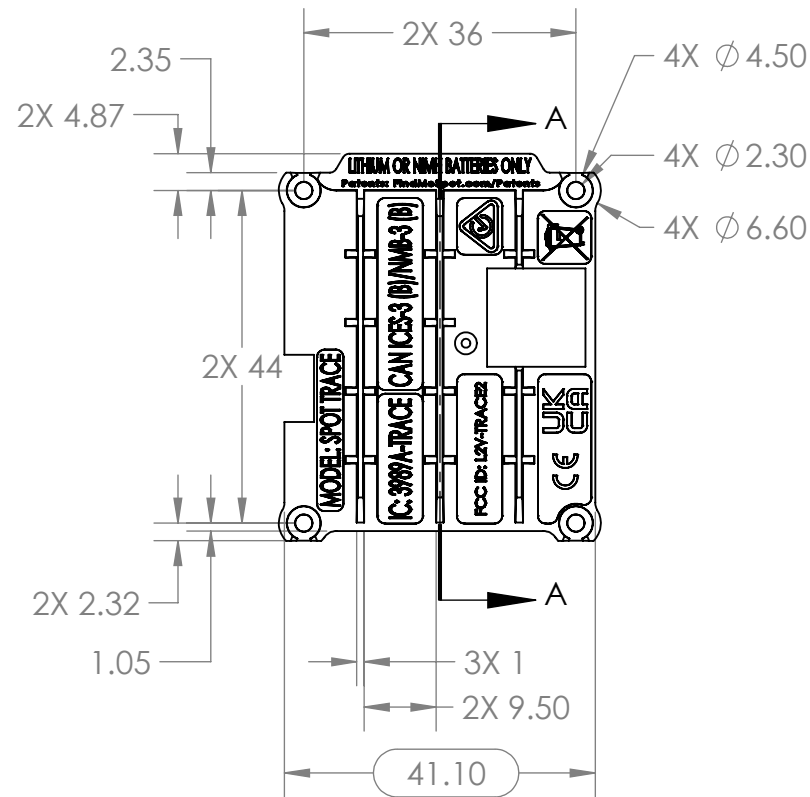
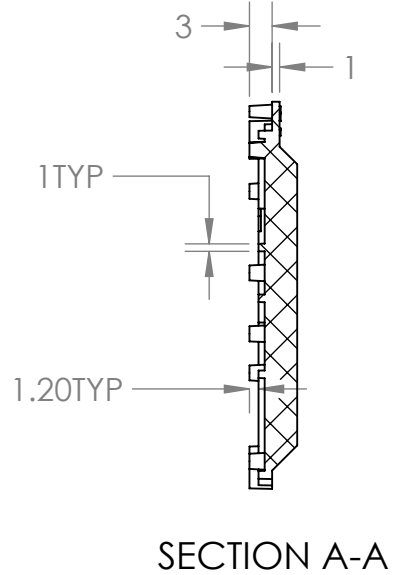
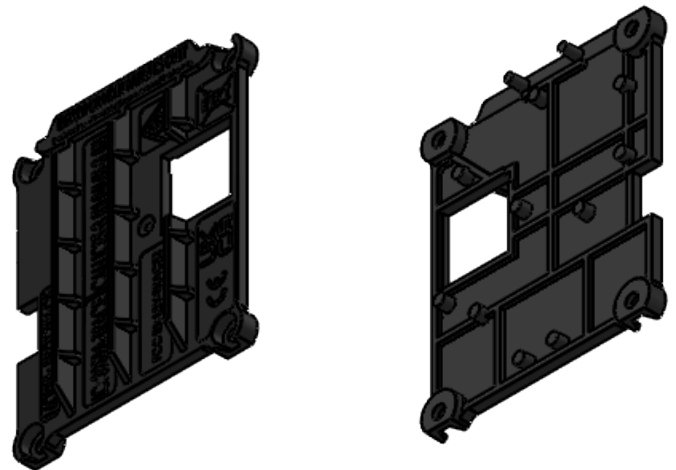



1. REFERENCE THE CORRESPONDING 3D CAD FILE FOR ALL UNDEFINED DIMENSIONS.
2. MOLDING NOTES:
 - a. ALL SURFACES NOT SPECIFICALLY CALLED OUT ON DRAWING SHOULD BE FINISHED FOR OPTIMAL MOLD RELEASE AND/OR OVERMOLD ADHESION.
 - b. REMOVE MATERIAL FLASHING AT ALL THRU HOLES.
 - c. DEGATE MATERIAL FLUSH TO MINUS .010" PLASTIC TO BE ROHS2 COMPLIANT.



REV:	DESCRIPTION / ECN#:	ENGR 1:	ENGR 2:	DOC REL:	DATE:
X1	INITIAL VERSION WAS 7200-0169-01 REV X7				4/9/2014
X2	CE MARK CHANGED				4/11/2017
A	ADDED FCC ID				3/31/2022
B	UPDATED REGULATORY INFO TO INCLUDE UKCA AND ANATEL MARKINGS				8/9/2022
C	UPDATED FCC ID				11/17/2022
D	UPDATED FCC ID ONTO A SINGLE LINE AND REMOVED ANATEL MARKING				01/09/2023

CONFIDENTIAL:
 THE INFORMATION CONTAINED IN THIS DRAWING IS THE SOLE PROPERTY OF GLOBALSTAR. ANY REPRODUCTION IN PART OR AS A WHOLE WITHOUT THE WRITTEN PERMISSION OF GLOBALSTAR IS PROHIBITED.

SCALE 1:1	2-D DRAWINGS ARE FOR REFERENCE ONLY. USE 3-D CAD DATA FOR PRODUCTION.	Proj Engr: BLANK	Date: XXXXXXXX	Drawn By: H.WEN	Date: 01/09/2023	 300 HOLIDAY SQUARE BLVD COVINGTON, LA 70433 985-355-1514	TITLE: PLSTC SPOT TRACE BATTERY SUPPORT REV D
MATERIAL SABIC EXL 1414 PC, COLOR BLACK	DIMENSIONS ARE IN MM. EXCEPT WHERE STATED, TOLERANCES ARE AS FOLLOWS:	Engr 1: BLANK	Date: XXXXXXXX	Prod Ctrl: BLANK	Date: XXXXXXXX		
FINISH SPI-B2 EXCEPT WHERE NOTED	ANGULAR: ±1/2° LINEAR: ±0.25 MM SURFACE RELATIVE TO 3D: ±0.25 MM	Engr 2: BLANK	Date: XXXXXXXX	Doc Ctrl: BLANK	Date: XXXXXXXX	Sheet 1	of 1