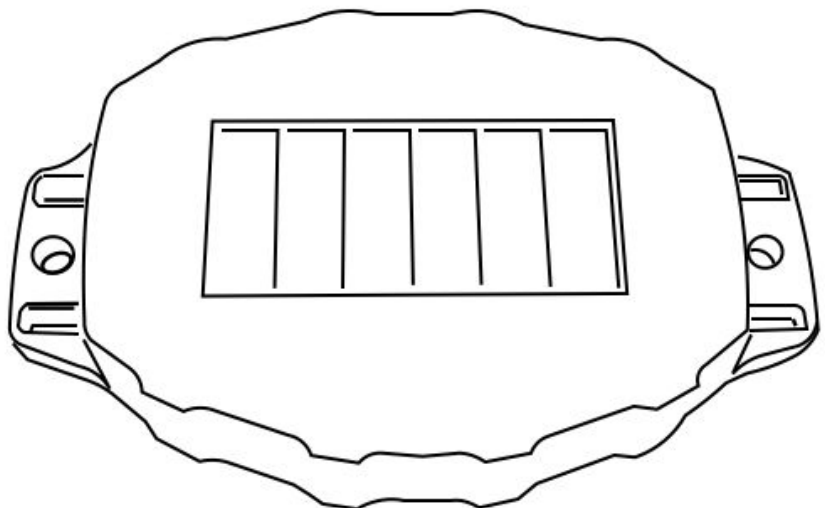


Wide Area Coverage Tag (WACTag™)

Solar-Powered Globalstar Satellite Data Communication Device

Satellite-Connected Tag For Remote Asset Monitoring

WACTags communicate directly with the Globalstar Satellite network to track, monitor, and manage outdoor assets nearly anywhere in the world without the need for a local gateway, phone or any other terrestrial wireless backhaul.





Contents

Overview	3
Activation	4
Set Up	5
Installation	8
Regulatory	9
Contact Information	11

Overview

Recon Dynamics set out to make the lightest and most efficient solar powered Globalstar-based GPS tracking product available today.

Case

IP68 rated sealed {plastic} case
4 x 2.6 x .78 in, 2.5 oz. and has been

Battery

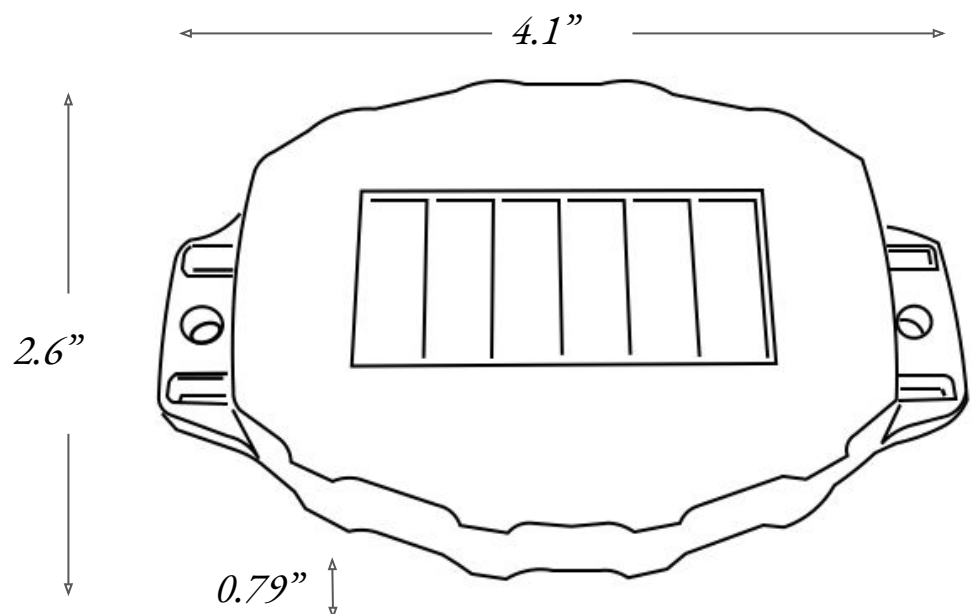
Rechargeable 4.1 V 350 mAh extreme temperature Lithium-ion-intercalated compounds Battery. Up to 5000 charge cycles

Solar

184 mW 6-cell monolithic panel at 25% efficiency and recharge rate of 12 hours in full sun from zero

Data Transmission

May send redundant transmissions to ensure communication reliability





Activation

WACTags are activated before shipping

Tags will hold charge for two weeks in packaging.

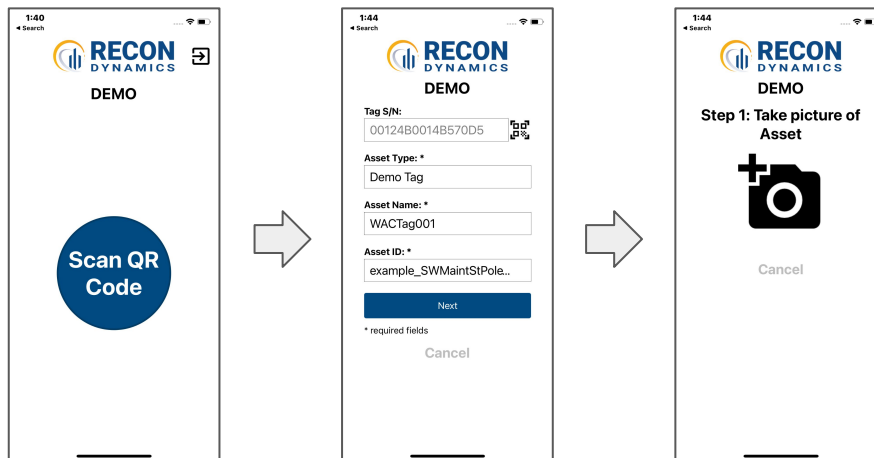
If more than two weeks pass before opening, tags can be recharged by placing in the sun for at least 5 hours.

Set Up - Adding Tags To System

WACTags require a Recon Dynamics account and login credentials

Mobile

1. Download the app ToolIntel by Recon
2. Login with the installer credentials
3. Scan the tag
4. Name the tag
5. Add an in house ID if you had one or invent new ones
6. Take up to 6 pictures
 - Basic Picture
 - Model Number / serial number
 - Tag Placement
 - Registration / inspection location
 - Optional - typical storage method



Desktop

1. Assets including WACTags must first be loaded into the system using the ToolIntel app.
2. Once added into the system with the app you may edit the asset information and add additional pictures



Set Up - Creating Data Reports

WACTags require a Recon Dynamics account and login credentials

Mobile

1. Click the three bar menu in the upper right of the home screen of your domain
2. Choose REPORTS
3. Click the “>>” arrow in the upper left if this is the first report
4. Either chose a report type from the radio buttons provided or add a new report by pressing ‘+ NEW REPORT’
5. Follow the on screen options until you have created a report that suits your needs.
 - o Pick a schedule for exactly when you’d like the report on a recurring basis or choose ‘AD-HOC’ to run a single, non-repeating report
 - o Pick a destination to identify where the report should be emailed
6. Select ‘RUN’ and choose “RUN MANUALLY” to see your first report or just wait for the first scheduled report to show up via email.
7. When a manual report is finished it will appear at the bottom of the screen.
8. Regularly scheduled reports will also appear in that same list.

Desktop

With the exception of the three bar menu navigation, the desktop process is the the same as the web-enabled mobile process.

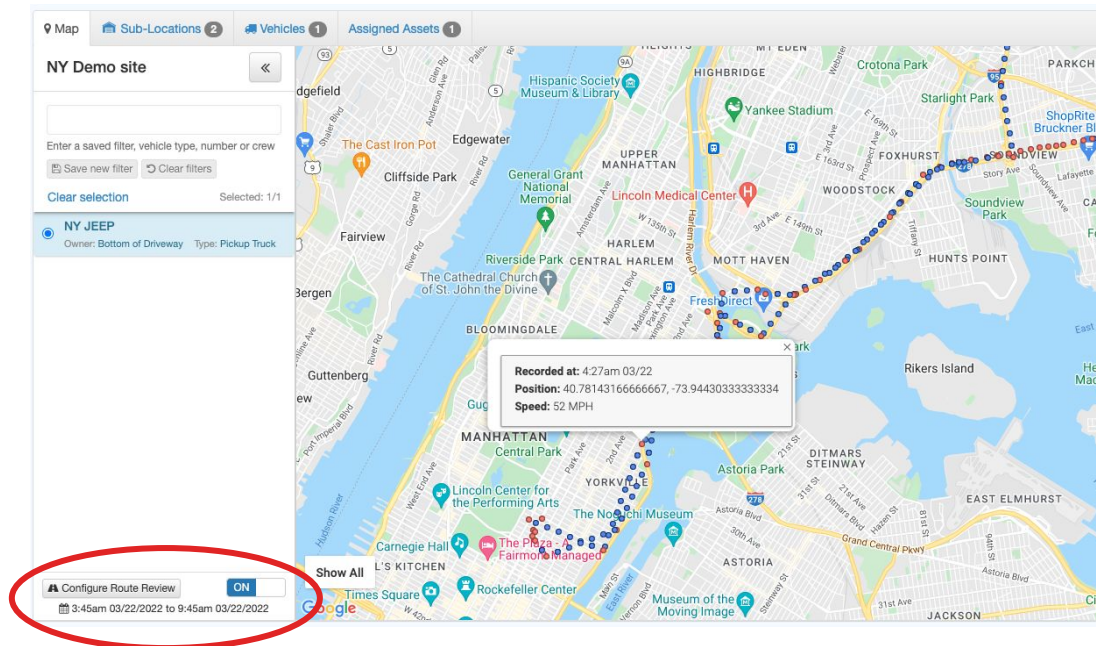
Set Up - Route Review

For non-fixed assets a history of GPS locations is captured and can be viewed using the Route Review button on the desktop dashboard*

Desktop (only)

1. Choose 'LOCATIONS' from the blue toolbar at the top of the screen
2. Select a location from the list
3. Near the bottom of the screen's left side toggle ROUTE REVIEW to "ON"
4. The assets on the list will shift to reveal radio buttons and ROUTE REVIEW will become CONFIGURE ROUTE REVIEW
5. Select an asset with the radio button and proceed to CONFIGURE ROUTE REVIEW

The red spots are actual GPS coordinates and have data about speed. The blue spots are approximations between the red spots.



* Administrative permission for route review must be turned on. If you are the administrator and you still do not see the route review option, and are unfamiliar with granting permissions, contact your Recon Dynamics representative.

Installation

Substrates, environmental conditions, and levels of vibration all contribute to installation considerations

WACTags must have view of the sky for both solar and communications to function

Suggested adhesives include but are not limited to

Screws

Foam Tape

Epoxy

Velcro

Magnets

Contains Transmitter Module**FCC ID: L2V-ST100****IC: 3989A-ST100**

THIS DEVICE COMPLIES WITH PART 15 OF THE FCC RULES. OPERATION IS SUBJECT TO THE FOLLOWING TWO CONDITIONS: (1) THIS DEVICE MAY NOT CAUSE HARMFUL INTERFERENCE, AND (2) THIS DEVICE MUST ACCEPT AND INTERFERENCE RECEIVED INCLUDING INTERFERENCE THAT MAY CAUSE UNDESIRE OPERATION.

This equipment has been tested and found to comply with the limits for a Class B digital device, pursuant to Part 15 of the FCC Rules. These limits are designed to provide reasonable protection against harmful interference in a residential installation. This equipment generates, uses and can radiate radio frequency energy and, if not installed and used in accordance with the instructions, may cause harmful interference to radio communications. However, there is no guarantee that interference will not occur in a particular installation. If this equipment does cause harmful interference to radio or television reception, which can be determined by turning the equipment off and on, the user is encouraged to try to correct the interference by one or more of the following measures:

- Reorient or relocate the receiving antenna.
- Increase the separation between the equipment and receiver.
- Connect the equipment into an outlet on a circuit different from that which the receiver is connected.
- Consult the dealer or an experienced radio/TV technician for help.

Note: Changes or modifications not expressly approved by the manufacturer responsible for compliance could void the user's authority to operate the equipment.

Regulatory

This device complies with Part 15 of the FCC Rules. This device contains licence-exempt transmitter(s)/receiver(s) that comply with Innovation, Science and Economic Development Canada's licence-exempt RSS(s). Operation is subject to the following two conditions: (1) this device may not cause harmful interference and (2) this device must accept any interference received, including interference that may cause undesired operation.

Cet appareil contient un ou plusieurs émetteurs/récepteurs exempts de licence conformes aux RSS exempts de licence d'Innovation, Sciences et Développement économique Canada. Son fonctionnement est soumis aux deux conditions suivantes : (1) cet appareil ne doit pas causer interférences nuisibles et (2) cet appareil doit accepter toute interférence reçue, y compris les interférences susceptibles de provoquer un fonctionnement indésirable.

This Class B digital apparatus complies with Canadian ICES-003.

Cet appareil numérique de classe B est conforme à la norme NMB-003

Hereby, Globalstar declares that this ST100 BOARD is in compliance with the essential requirements and other relevant provisions of Directive 2014/53/EU. The declaration of conformity may be consulted at www.Globalstar.com/Regulatory

NOTICE: This equipment complies with the FCC, IC and CE RF Exposure Limits. A minimum of 8 inches separation between the device and the user and all other persons should be maintained

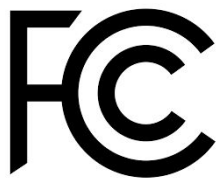
AVIS: Cet équipement est conforme aux RSS-102 Limites d'exposition RF. Un minimum de 20 centimètres (8 pouces) entr l'appareil et l'utilisateur et toutes les autres personnes devrait être maintenue.

Transmit Frequencies: 1611.25 Mhz - 1618.75Mhz (4 Channels) Max Power Out: 25.82 dBm EIRP

FCC ID: L2V-ST100

CAN ICES-3(B)/NMB-3B

IC: 3989A-ST100



Complies with FCC Standards

FOR HOME OR OFFICE USE



Contact Information

Don't hesitate to contact us if you would like further information on any aspect of Recon Dynamics products and services.

<https://www.recondynamics.com/meet-team>

(877) 480-3551

Recon Dynamics, LLC
8535 S 700 W #1A
Sandy, UT 84070