

6

5

4

3

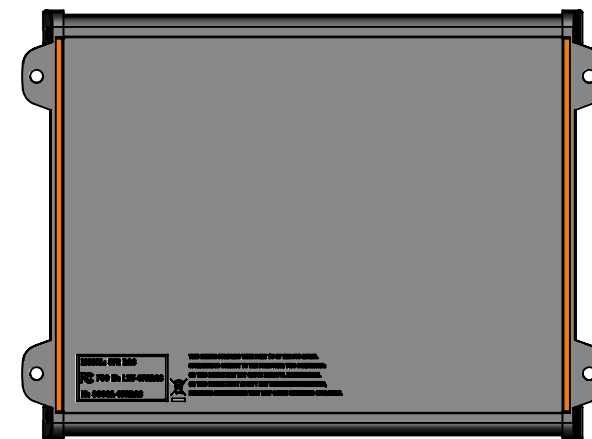
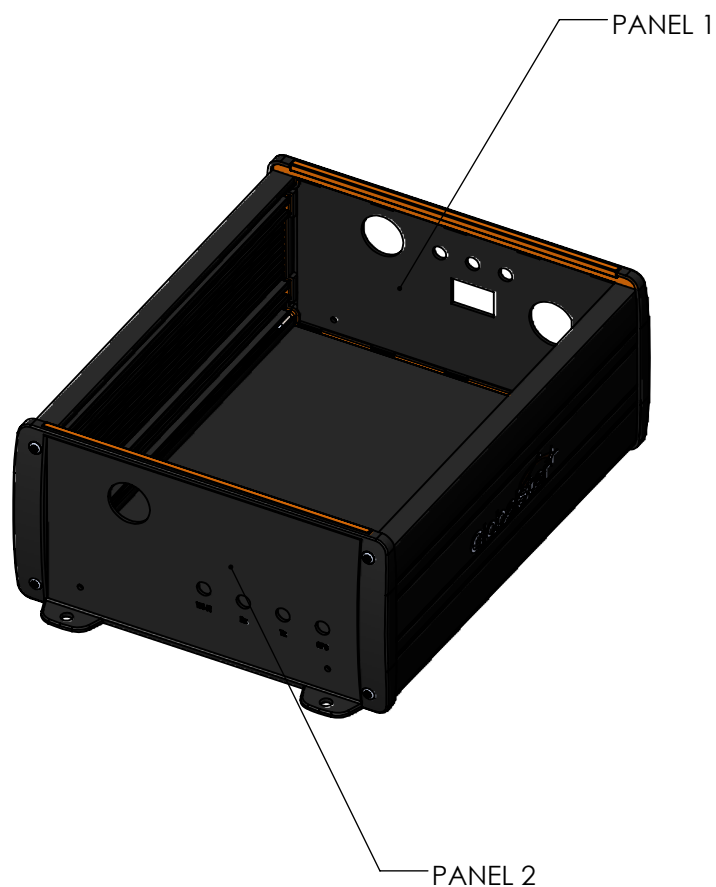
2

1

NOTES:


- 1. TEKAM 52-E CASE.
- 2. REMOVE ALL BURRS AND GRIND EDGES SMOOTH.
- 3. ROUND SHARP CORNERS.

REVISIONS				
ZONE	REV.	DESCRIPTION / ECO #	DATE	APPROVED
	X1	INITIAL RELEASE /	6/26/2019	



CONFIDENTIAL:

THE INFORMATION CONTAINED IN THIS DRAWING IS THE SOLE PROPERTY OF GLOBALSTAR. ANY REPRODUCTION IN PART OR AS A WHOLE WITHOUT THE WRITTEN PERMISSION OF GLOBALSTAR IS PROHIBITED.

SCALE 1:3	2-D DRAWINGS ARE FOR REFERENCE ONLY. USE 3-D CAD DATA FOR PRODUCTION.	Proj Engr:	Date:	Drawn By: EVAN COSTELLO	Date: 6/26/2019	 1351 HOLIDAY SQUARE BLVD COVINGTON, LA 70433 985-355-1514	REV X1		
MATERIAL	DIMENSIONS ARE IN MM. EXCEPT WHERE STATED, TOLERANCES ARE AS FOLLOWS:	Engr 1:	Date:	Prod Ctrl:	Date:		TITLE:		
FINISH	ANGULAR: ±1/2° LINEAR: ±0.1 MM	Engr 2:	Date:	Doc Ctrl:	Date:	SIZE B	DWG. NO. 7010-0238-03	Sheet 1	of 8

6

5

4

3

2

1

F

E

D

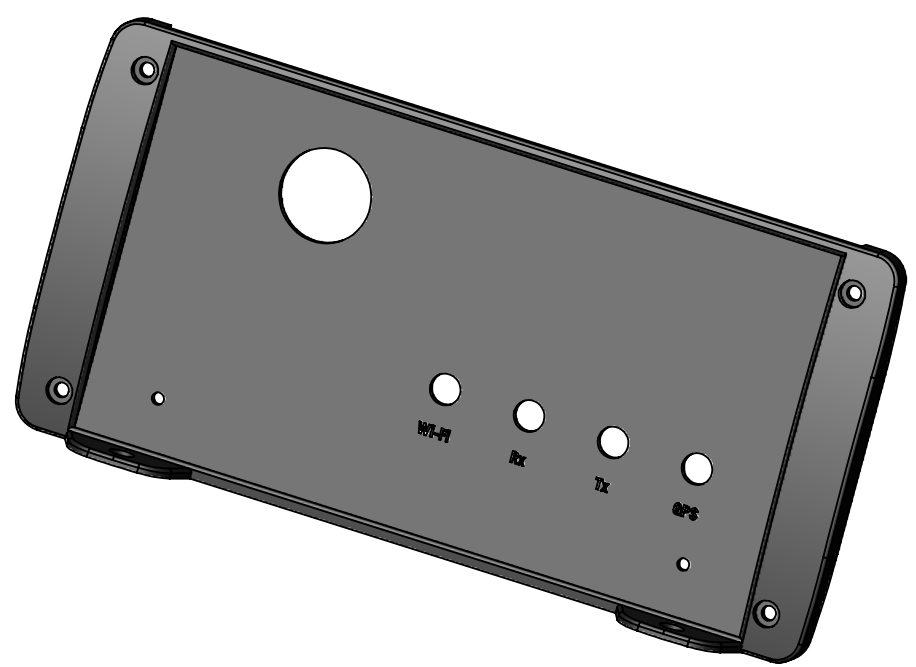
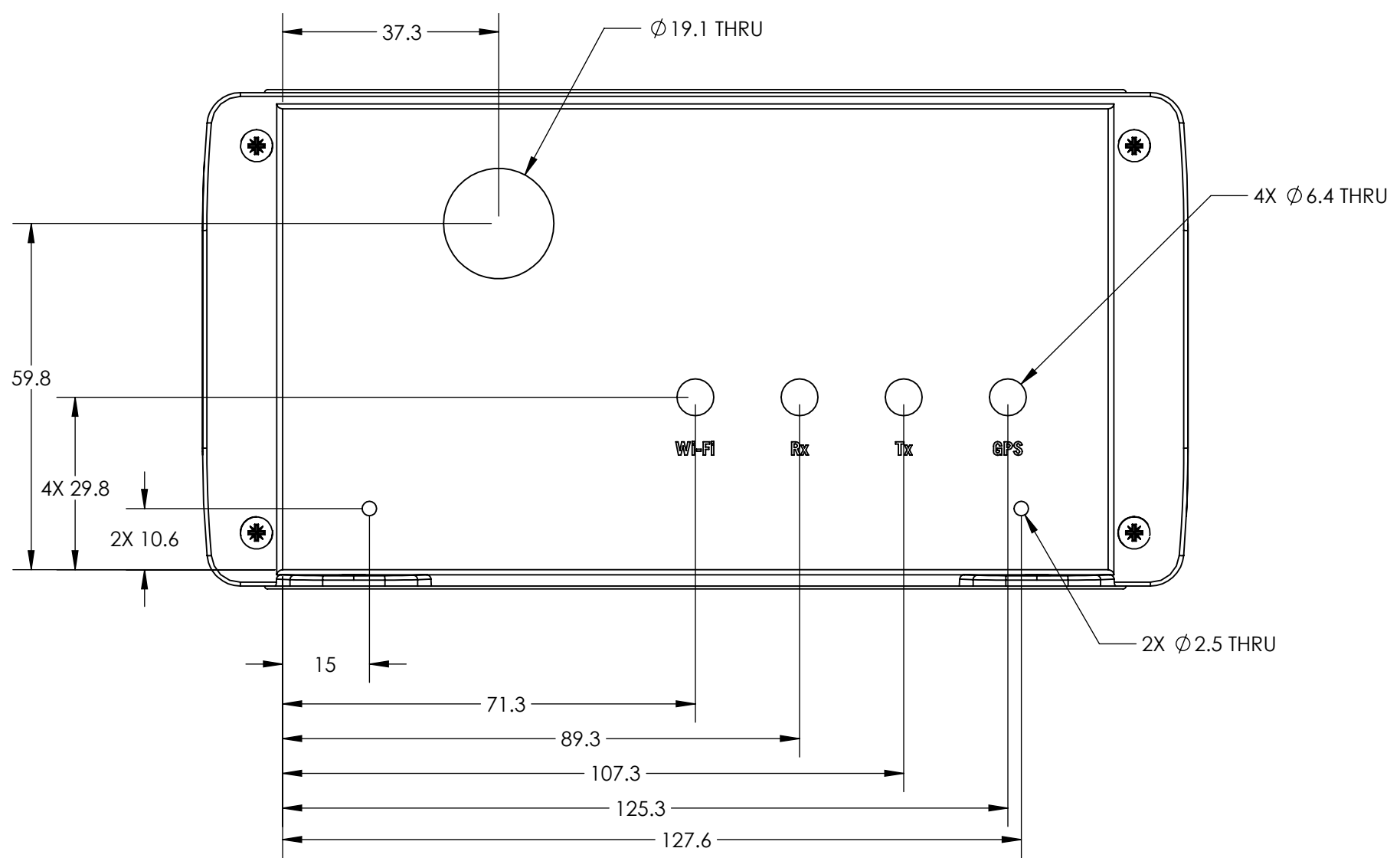
C

B

A


6 5 4 3 2 1

F
E
D
C
B
A



PANEL 1 (FACING OUTSIDE OF ENCLOSURE)

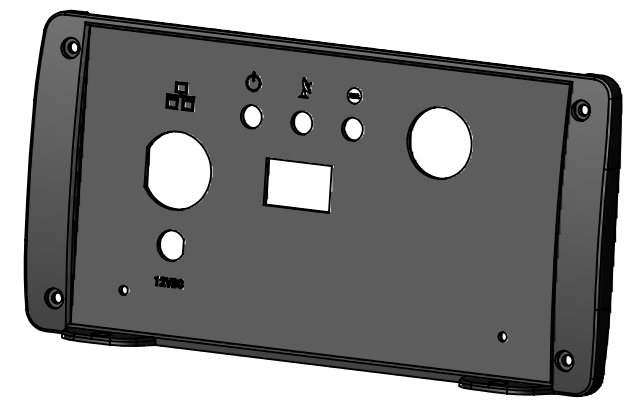
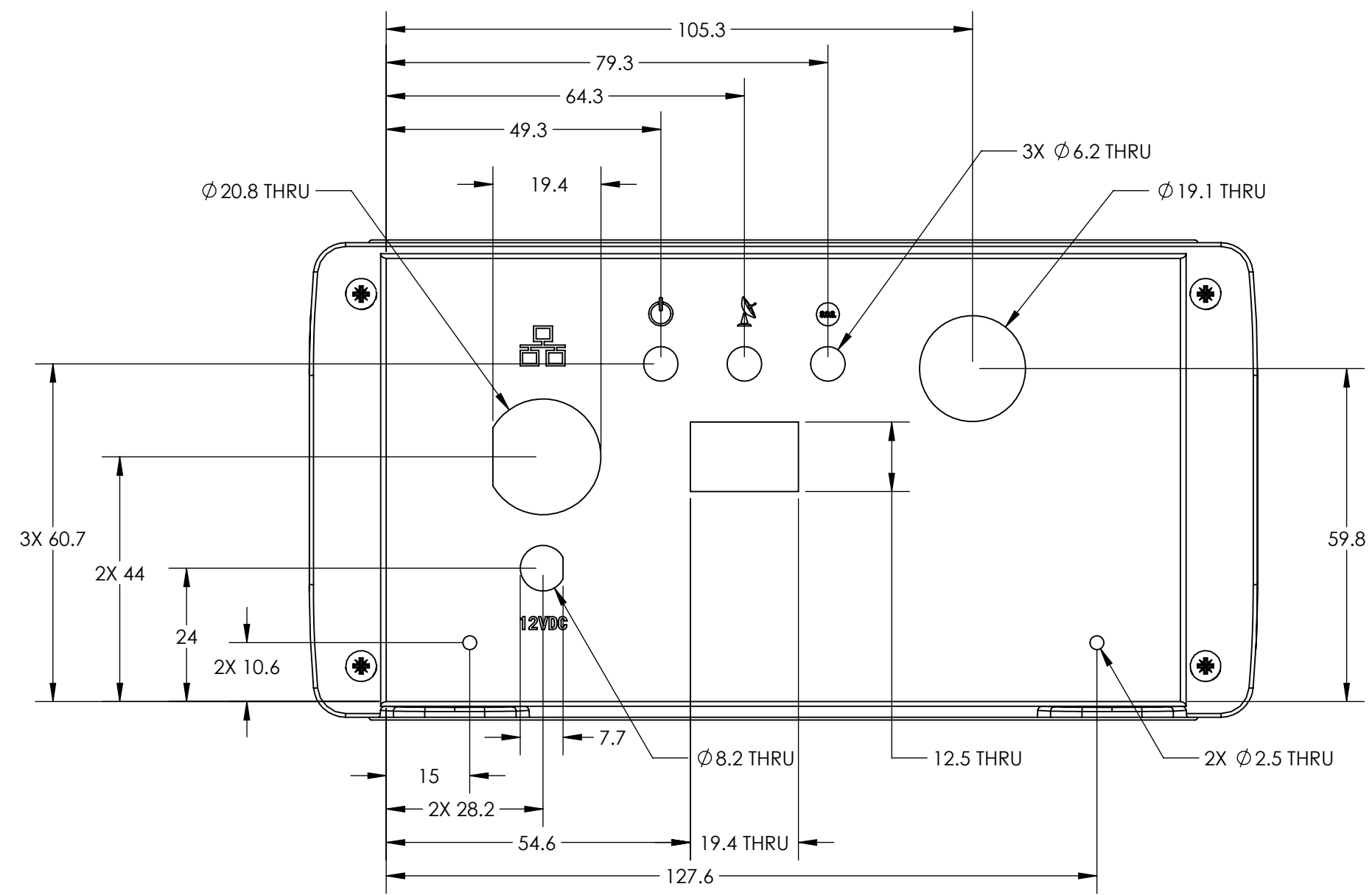
6 5 4 3 2 1

		300 HOLIDAY SQUARE BLVD COVINGTON, LA 70433 985-355-1514	
TITLE:			REV X1
SIZE B	DWG. NO. 7010-0238-03	Sheet 2	of 8

F
E
D
C
B
A


6 5 4 3 2 1

F
E
D
C
B
A



PANEL 2 (FACING OUTSIDE OF ENCLOSURE)

6 5 4 3 2 1

		300 HOLIDAY SQUARE BLVD COVINGTON, LA 70433 985-355-1514	
TITLE:			REV X1
SIZE B	DWG. NO. 7010-0238-03	Sheet 3	of 8

F
E
D
C
B
A

6

5

4

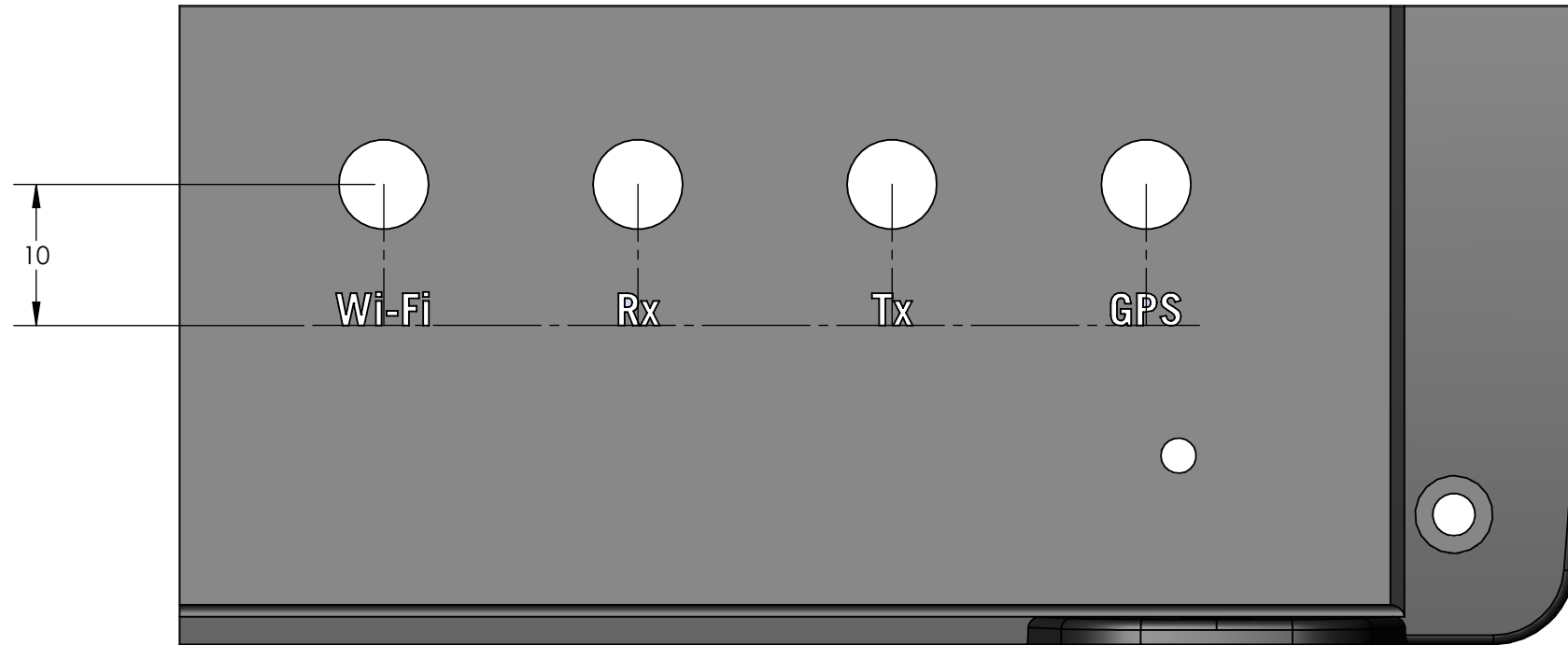
3

2

1

NOTES

- 1. FONT: TRADE GOTHIC, SIZE 9
- 2. COLOR: WHITE
- 3. ALIGNED HORIZONTALLY CENTER TO THRU HOLES



PANEL 1 LABELING DETAILS

		300 HOLIDAY SQUARE BLVD COVINGTON, LA 70433 985-355-1514	
TITLE:			REV X1
SIZE B	DWG. NO. 7010-0238-03	Sheet 4	of 8

6

5

4

3

2

1

F

E

D

C

B

A

F

E

D

C

B

A

6

5

4

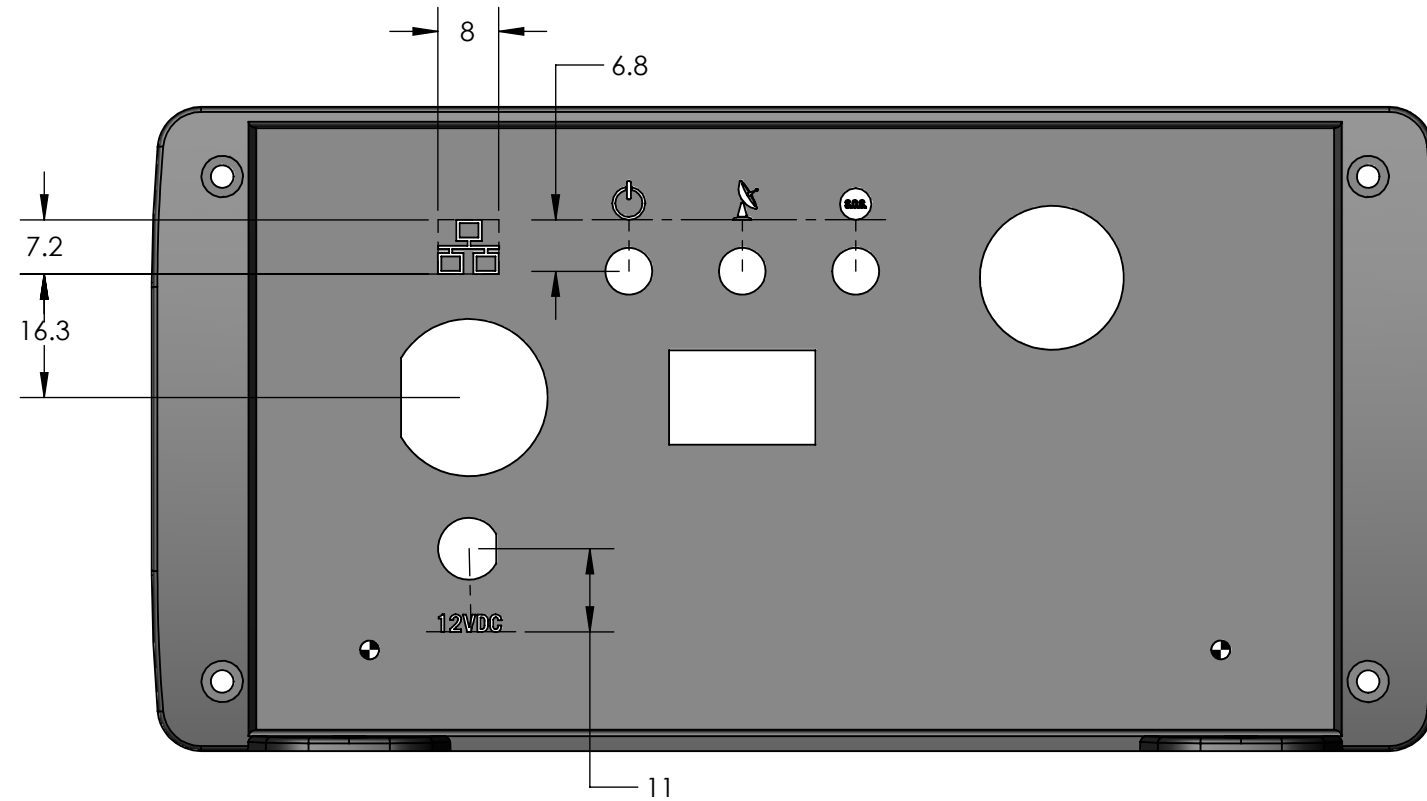
3

2

1

NOTES

- 1. FONT: TRADE GOTHIC, SIZE 9
- 2. COLOR: WHITE
- 3. ALIGNED HORIZONTALLY CENTER TO THRU HOLES



PANEL 2 LABELING DETAILS

		300 HOLIDAY SQUARE BLVD COVINGTON, LA 70433 985-355-1514	
TITLE:			REV X1
SIZE B	DWG. NO. 7010-0238-03	Sheet 5	of 8

6

5

4

3

2

1

F

E

D

C

B


A

NOTES:

- 1. ALIGNED HORIZONTALLY AND VERTICALLY CENTER.
- 2. LABEL APPLIED TO BOTH SIDES OF BOX.

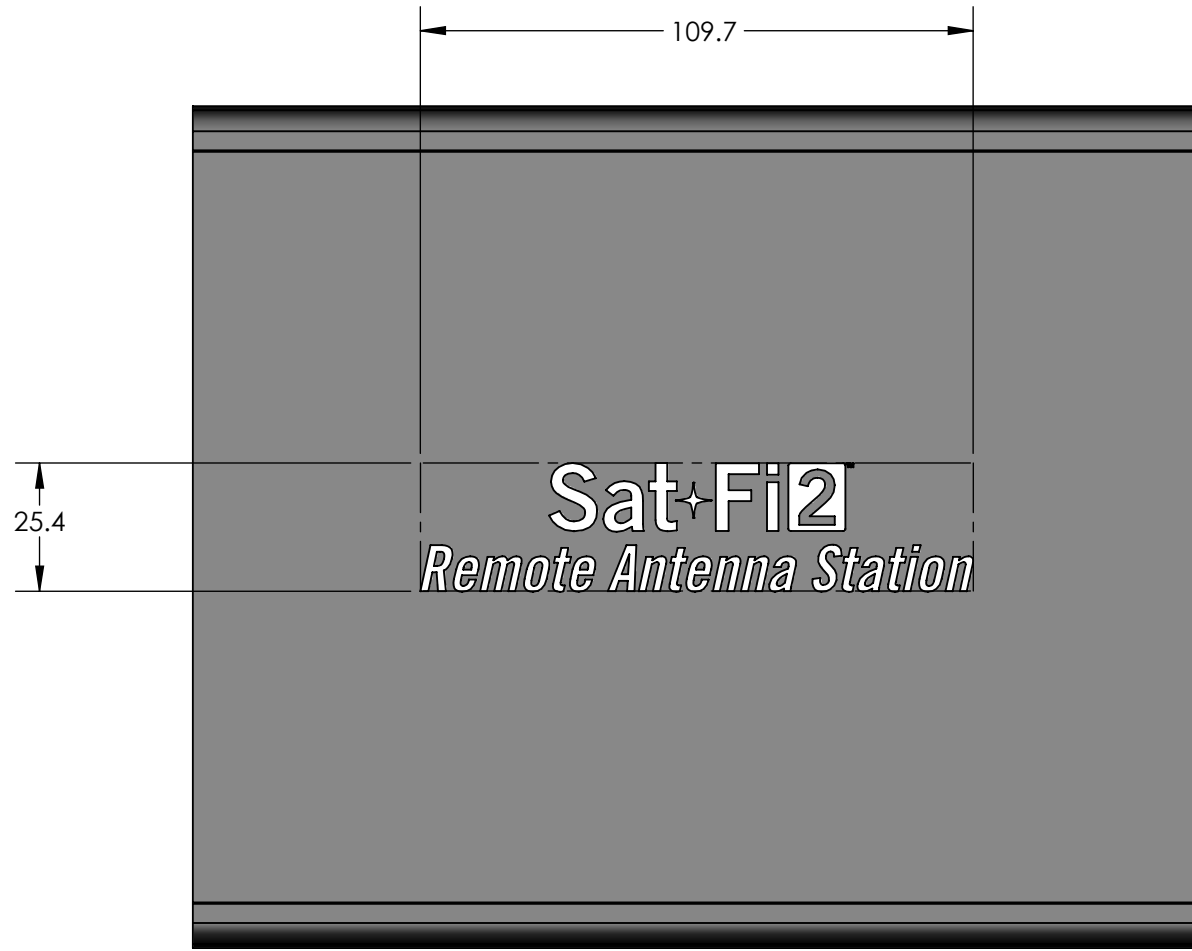


SIDE LABELING DETAILS


		300 HOLIDAY SQUARE BLVD COVINGTON, LA 70433 985-355-1514	
TITLE:			REV X1
SIZE B	DWG. NO. 7010-0238-03	Sheet 6	of 8

NOTES:

- 1. ALIGNED HORIZONTALLY AND VERTICALLY CENTER.
- 2. COLOR: WHITE

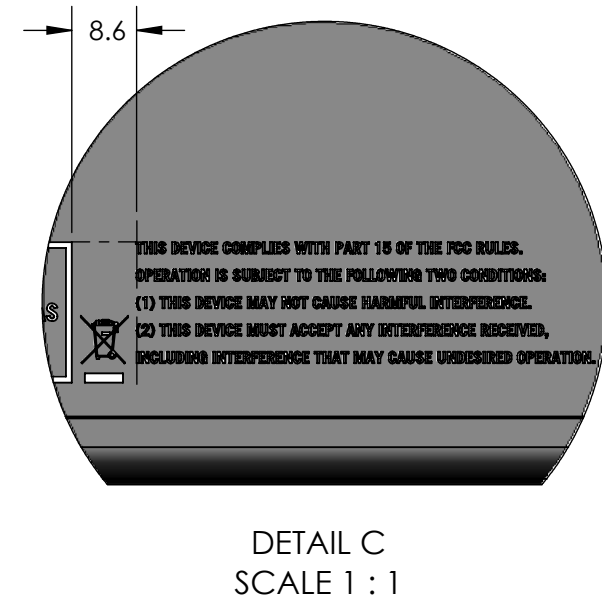
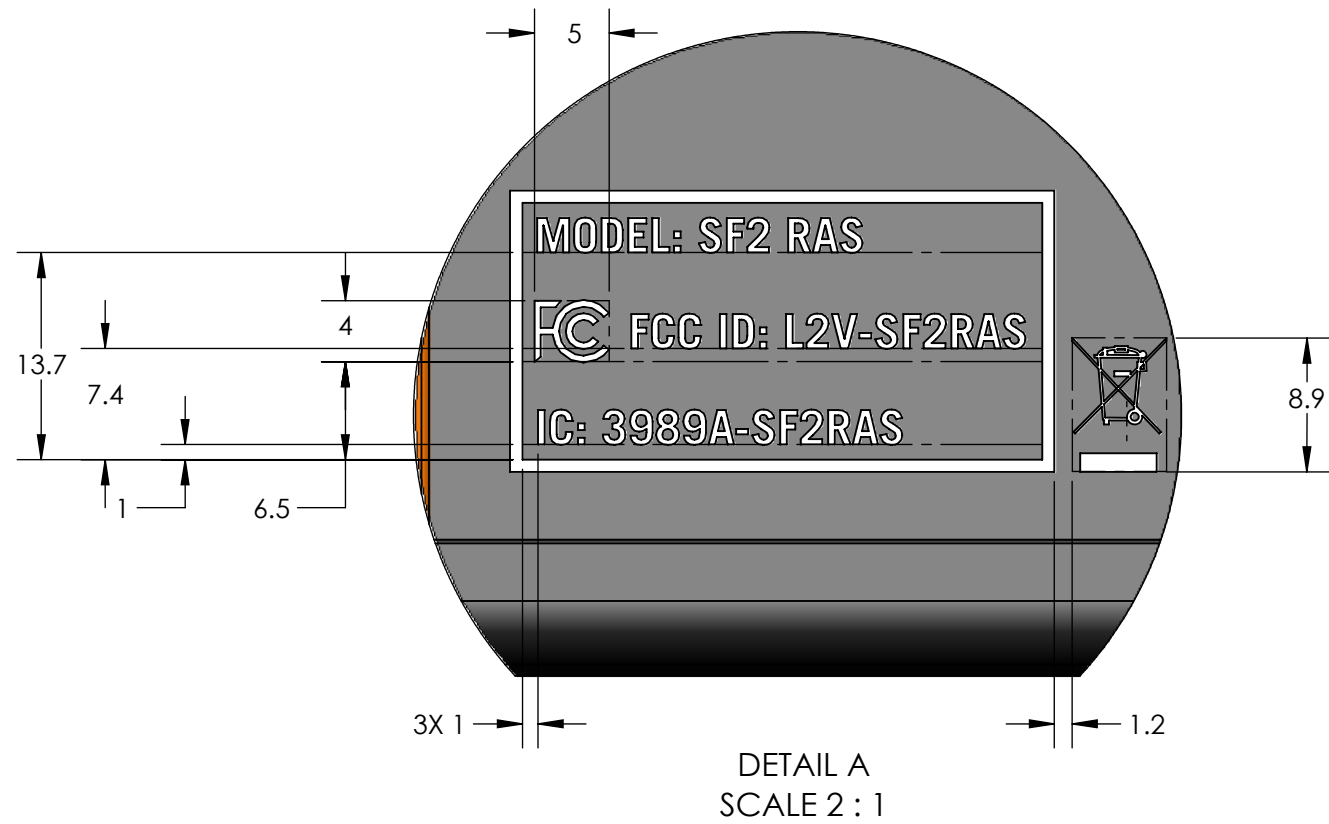
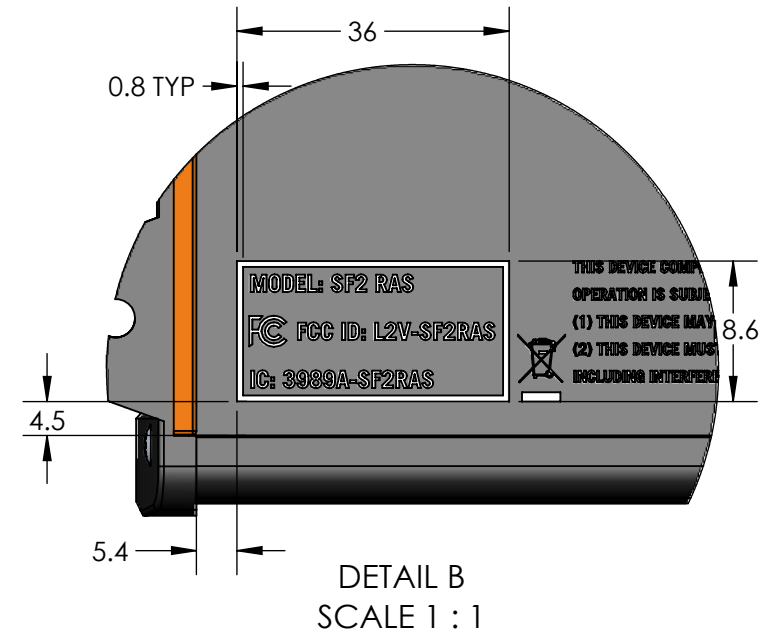
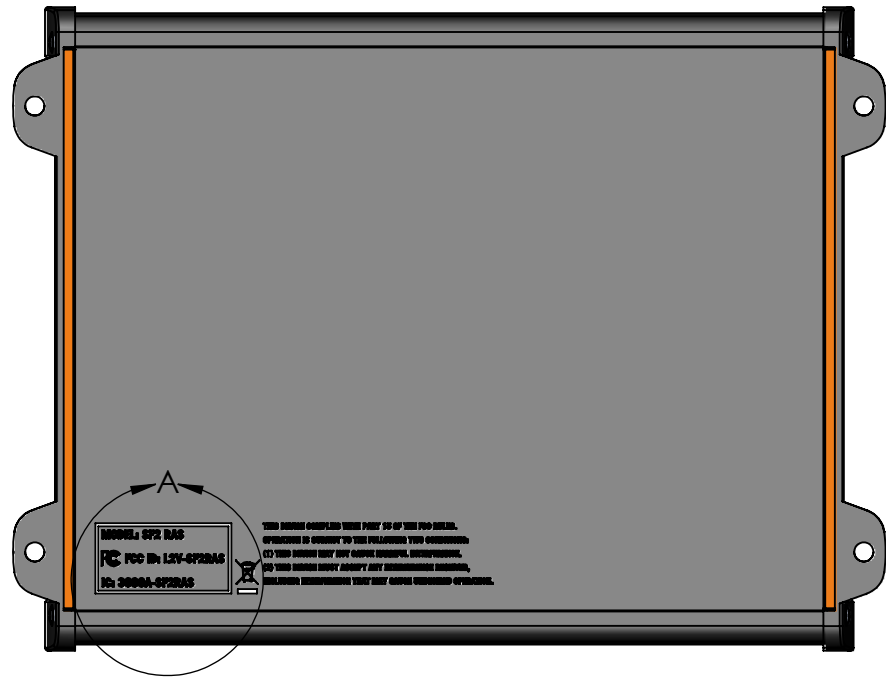



TOP LABELING DETAILS

		300 HOLIDAY SQUARE BLVD COVINGTON, LA 70433 985-355-1514	
TITLE:			REV X1
SIZE B	DWG. NO. 7010-0238-03	Sheet 7	of 8

NOTES:

1. FONT: TRADE GOTHIC, SIZE 9
2. COLOR: WHITE



		300 HOLIDAY SQUARE BLVD COVINGTON, LA 70433 985-355-1514	
TITLE:			REV X1
SIZE B	DWG. NO. 7010-0238-03	Sheet 8	of 8